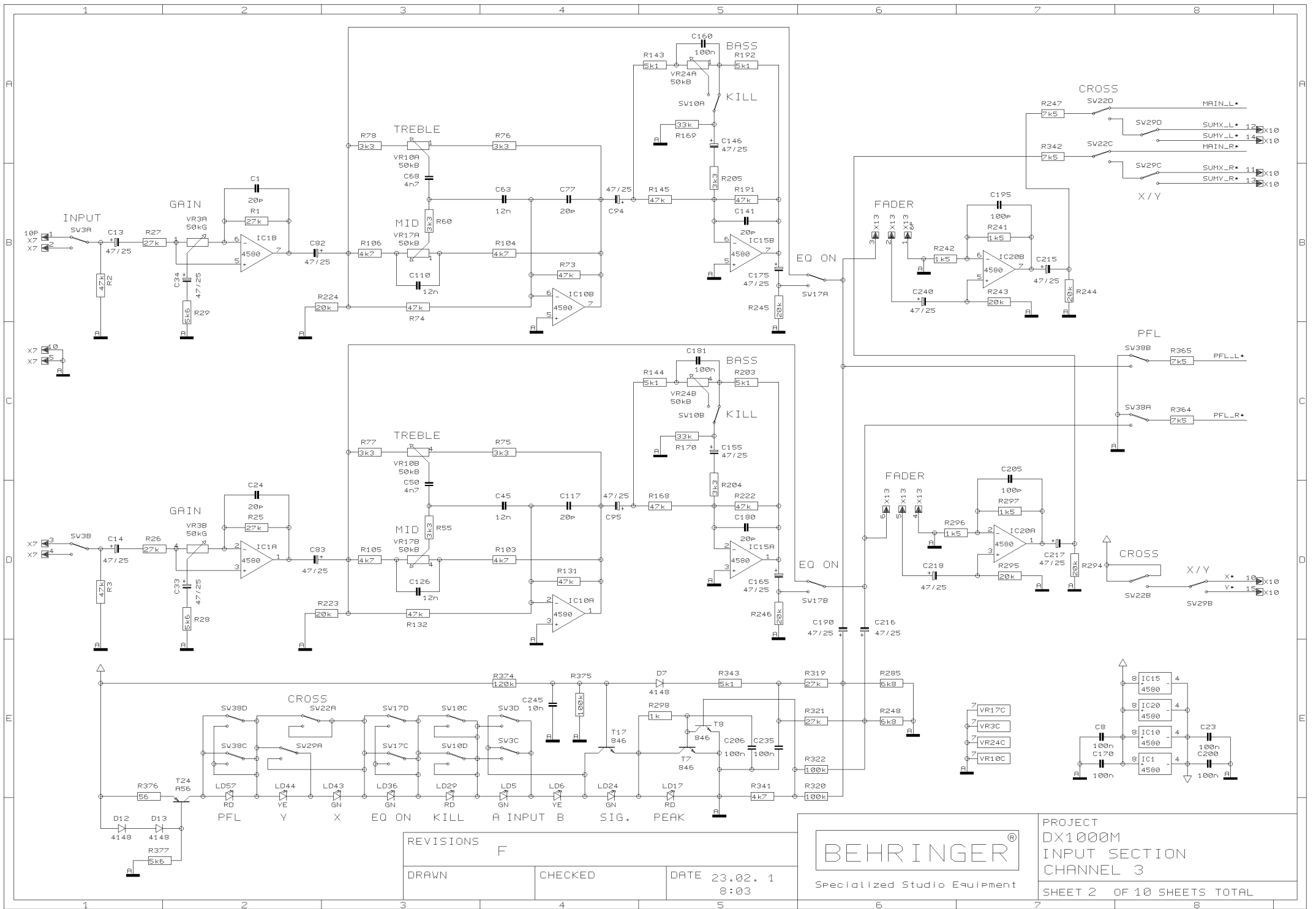


REVISIONS		
F		
DRAWN	CHECKED	DATE 23.02. 1 8:03



PROJECT
DX1000M
MIC INPUT SECTION
CHANNEL 1&2
SHEET 1 OF 10 SHEETS TOTAL



REVISIONS

F

DRAWN

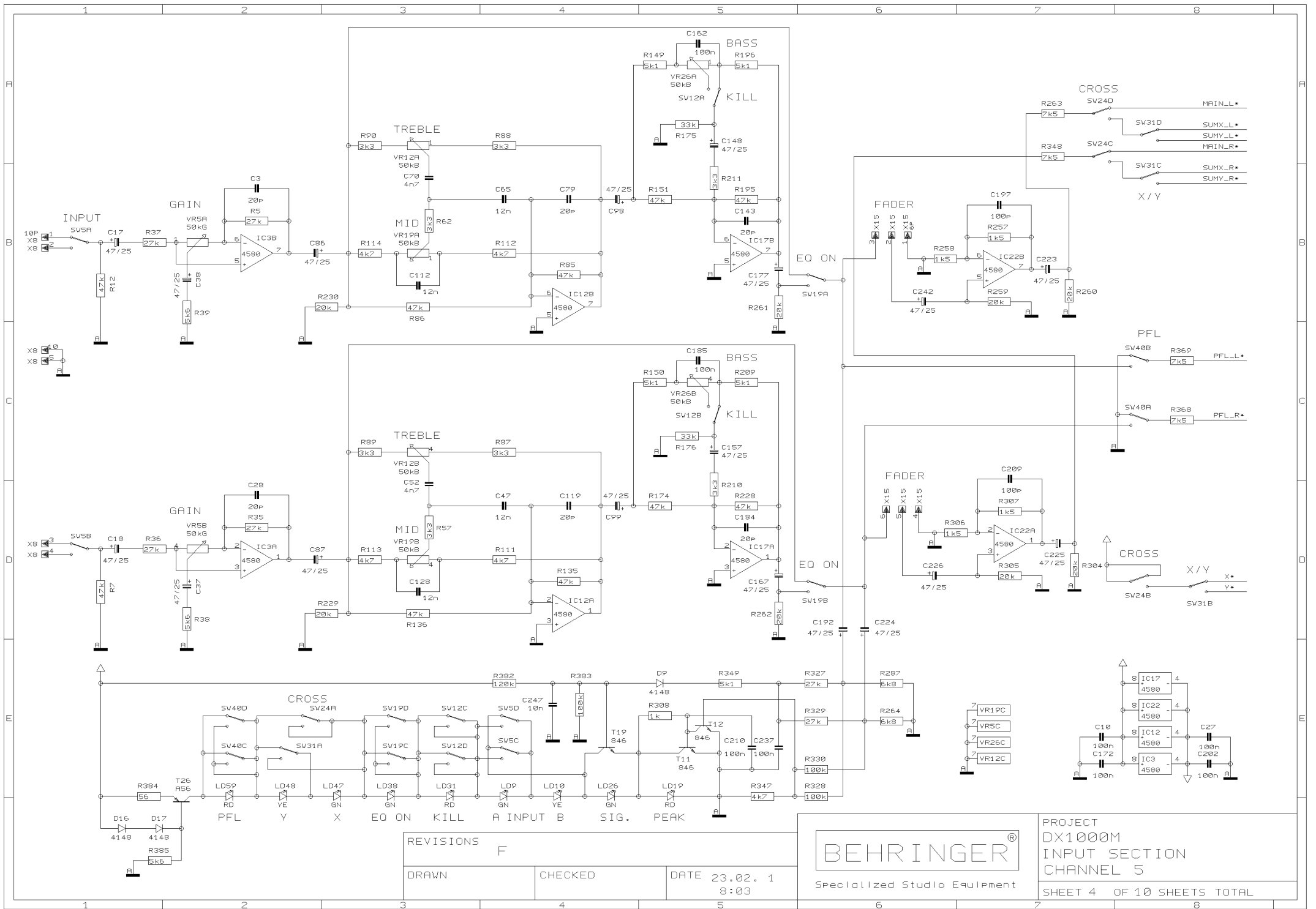
CHECKED

DATE 23.02. 1
8:03

BEHRINGER®

Specialized Studio Equipment

PROJECT
DX1000M
INPUT SECTION
CHANNEL 3
SHEET 2 OF 10 SHEETS TOTAL



REVISIONS

F

DRAWN

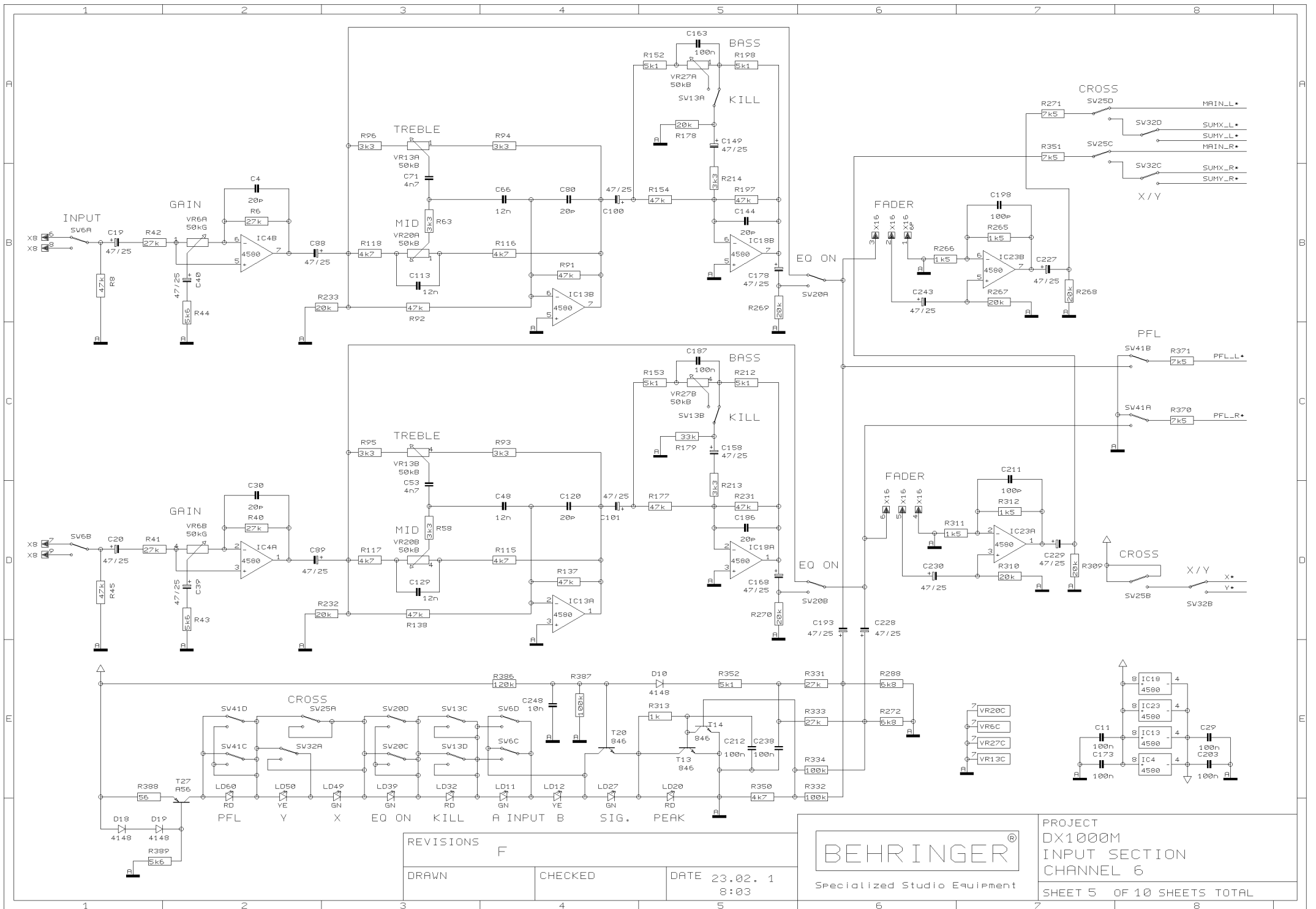
CHECKED

DATE 23.02. 1
8:03

BEHRINGER®

Specialized Studio Equipment

PROJECT
DX1000M
INPUT SECTION
CHANNEL 5
SHEET 4 OF 10 SHEETS TOTAL



REVISIONS

F

DRAWN

CHECKED

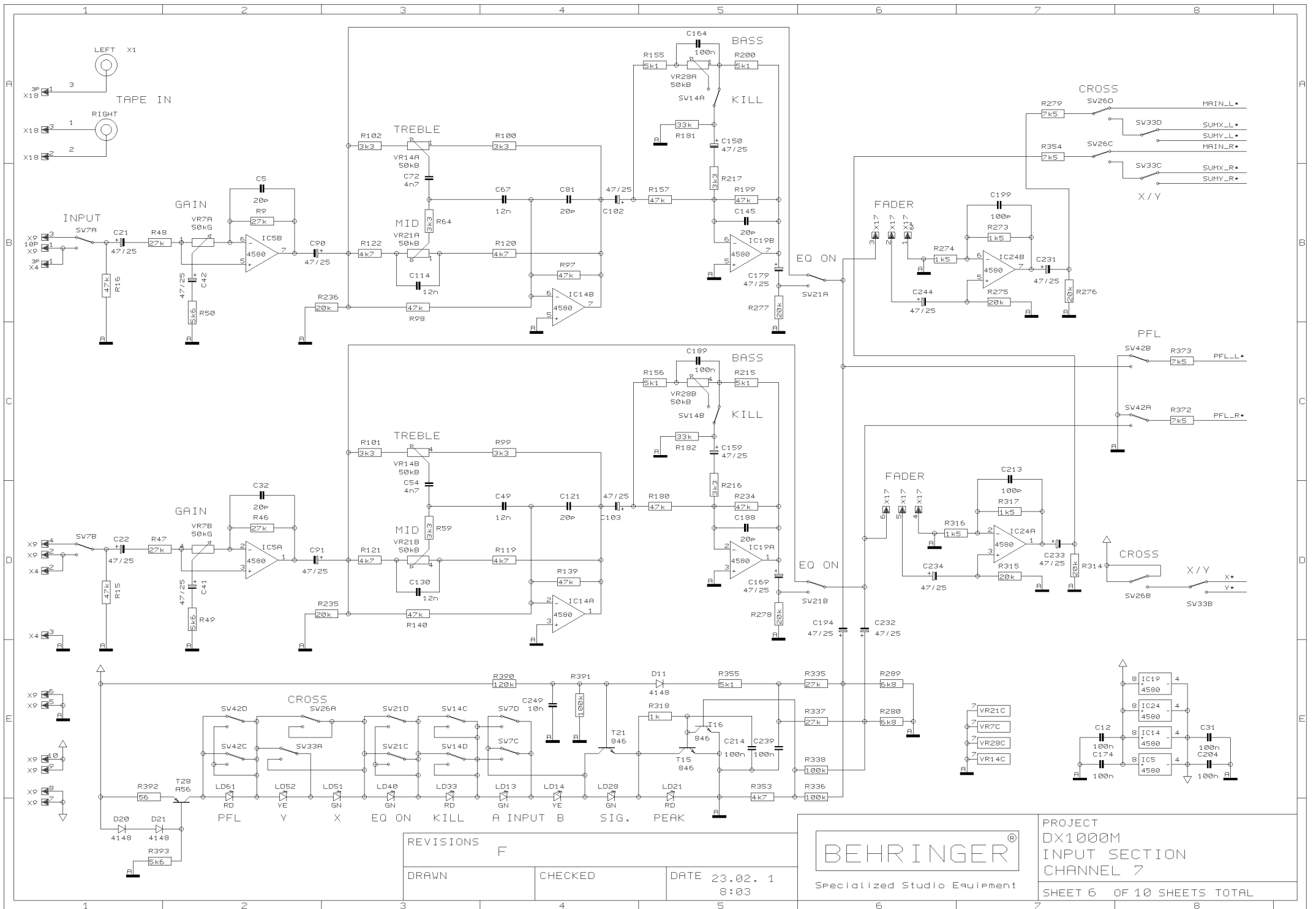
DATE 23.02. 1
8:03

BEHRINGER®

Specialized Studio Equipment

PROJECT
DX1000M
INPUT SECTION
CHANNEL 6

SHEET 5 OF 10 SHEETS TOTAL



REVISIONS

F

DRAWN

CHECKED

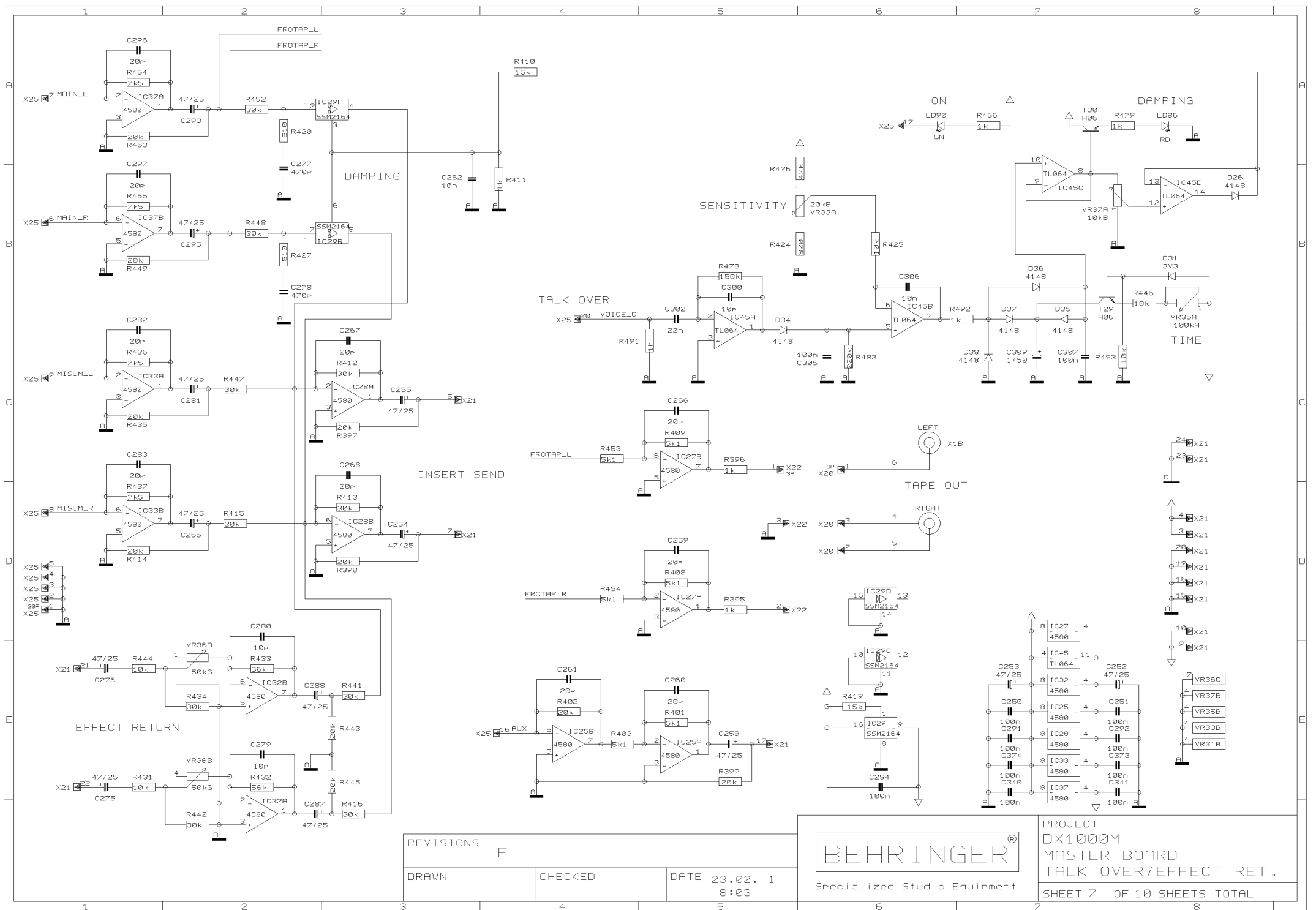
DATE 23.02. 1
8:03

BEHRINGER®

Specialized Studio Equipment

PROJECT
DX1000M
INPUT SECTION
CHANNEL 7

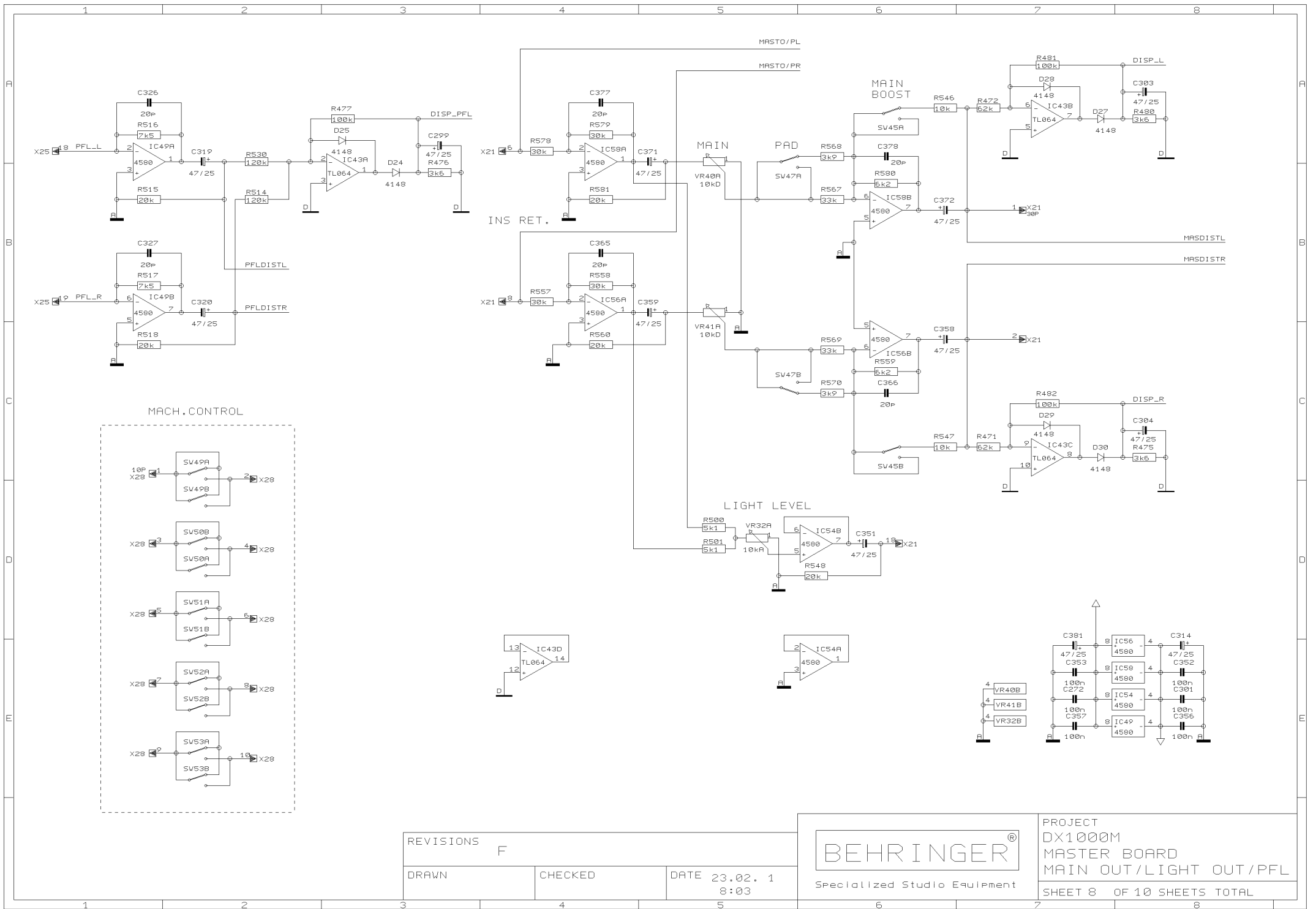
SHEET 6 OF 10 SHEETS TOTAL



REVISIONS		
F		
DRAWN	CHECKED	DATE 23.02. 1 8:03


 Specialized Studio Equipment

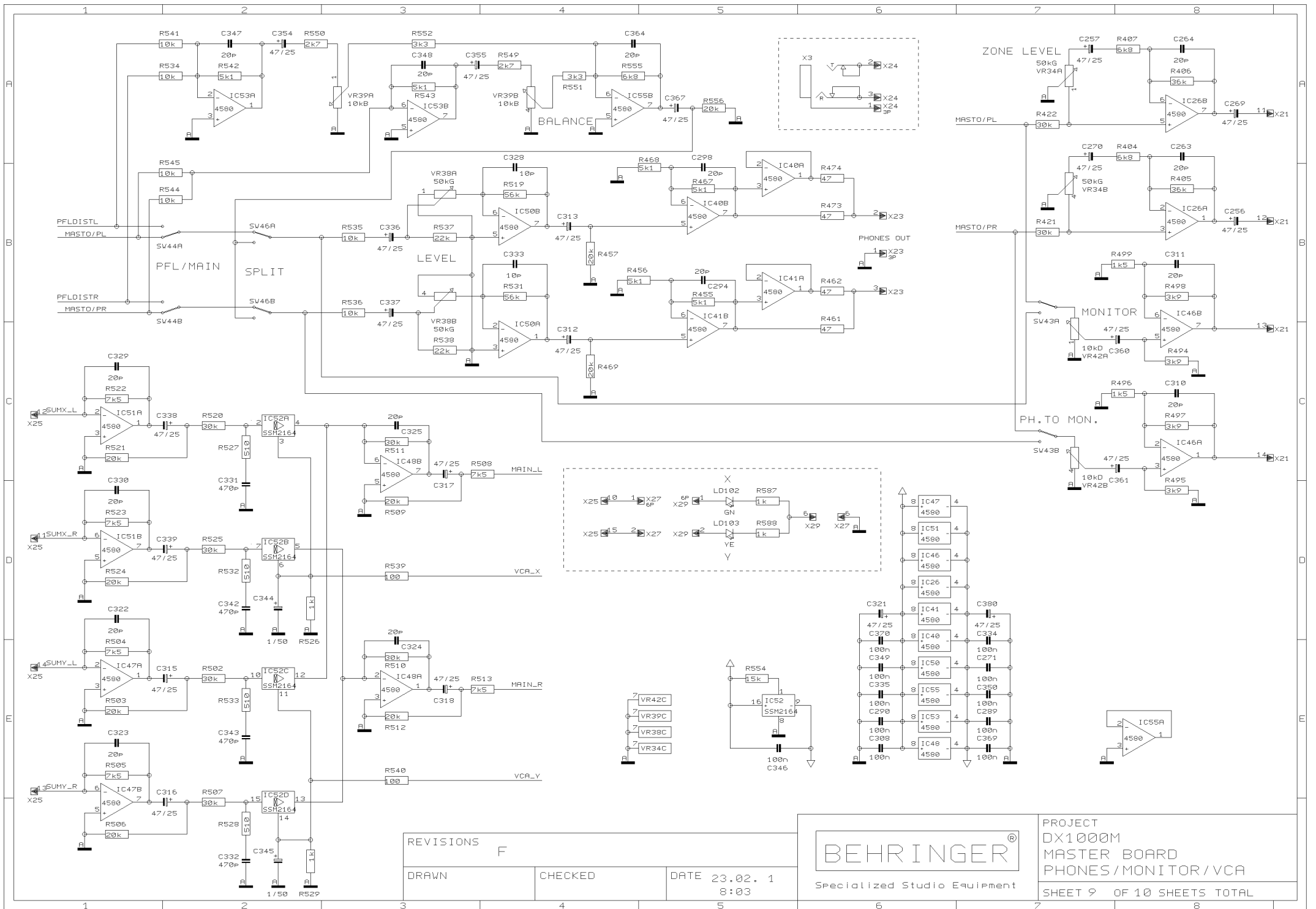
PROJECT
 DX1000M
 MASTER BOARD
 TALK OVER/EFFECT RET.
 SHEET 7 OF 10 SHEETS TOTAL



REVISIONS		
F		
DRAWN	CHECKED	DATE 23.02. 1 8:03



PROJECT
DX1000M
MASTER BOARD
MAIN OUT/LIGHT OUT/PFL
SHEET 8 OF 10 SHEETS TOTAL



REVISIONS

F

DRAWN

CHECKED

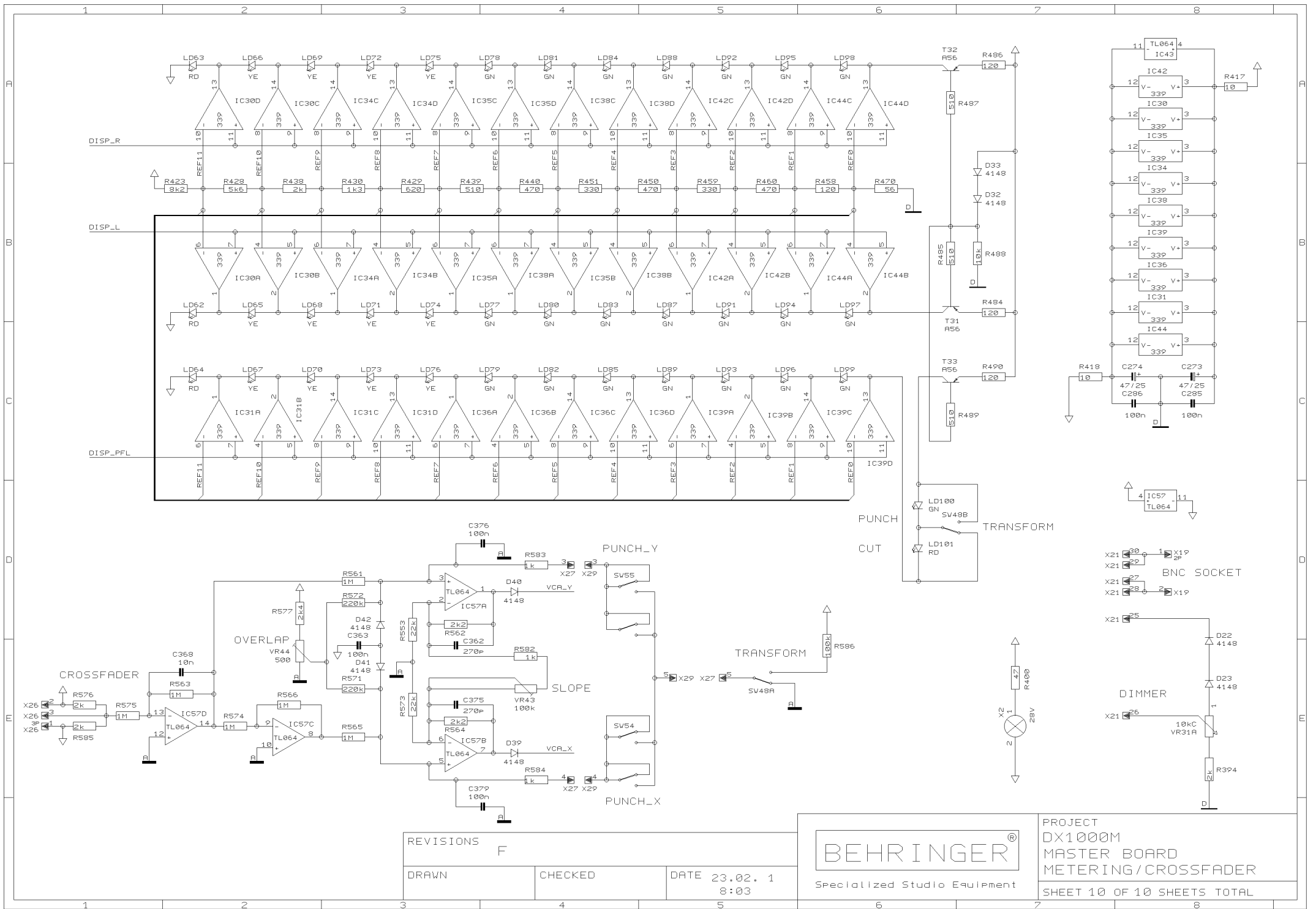
DATE 23.02. 1
8:03

BEHRINGER®

Specialized Studio Equipment

PROJECT
DX1000M
MASTER BOARD
PHONES/MONITOR/VCA

SHEET 9 OF 10 SHEETS TOTAL



REVISIONS		
F		
DRAWN	CHECKED	DATE 23.02. 1 8:03



PROJECT
DX1000M
MASTER BOARD
METERING/CROSSFADER
SHEET 10 OF 10 SHEETS TOTAL