

REVISIONS E (190599)

DRAWN

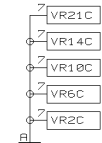
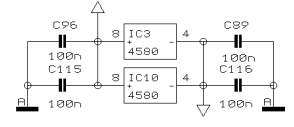
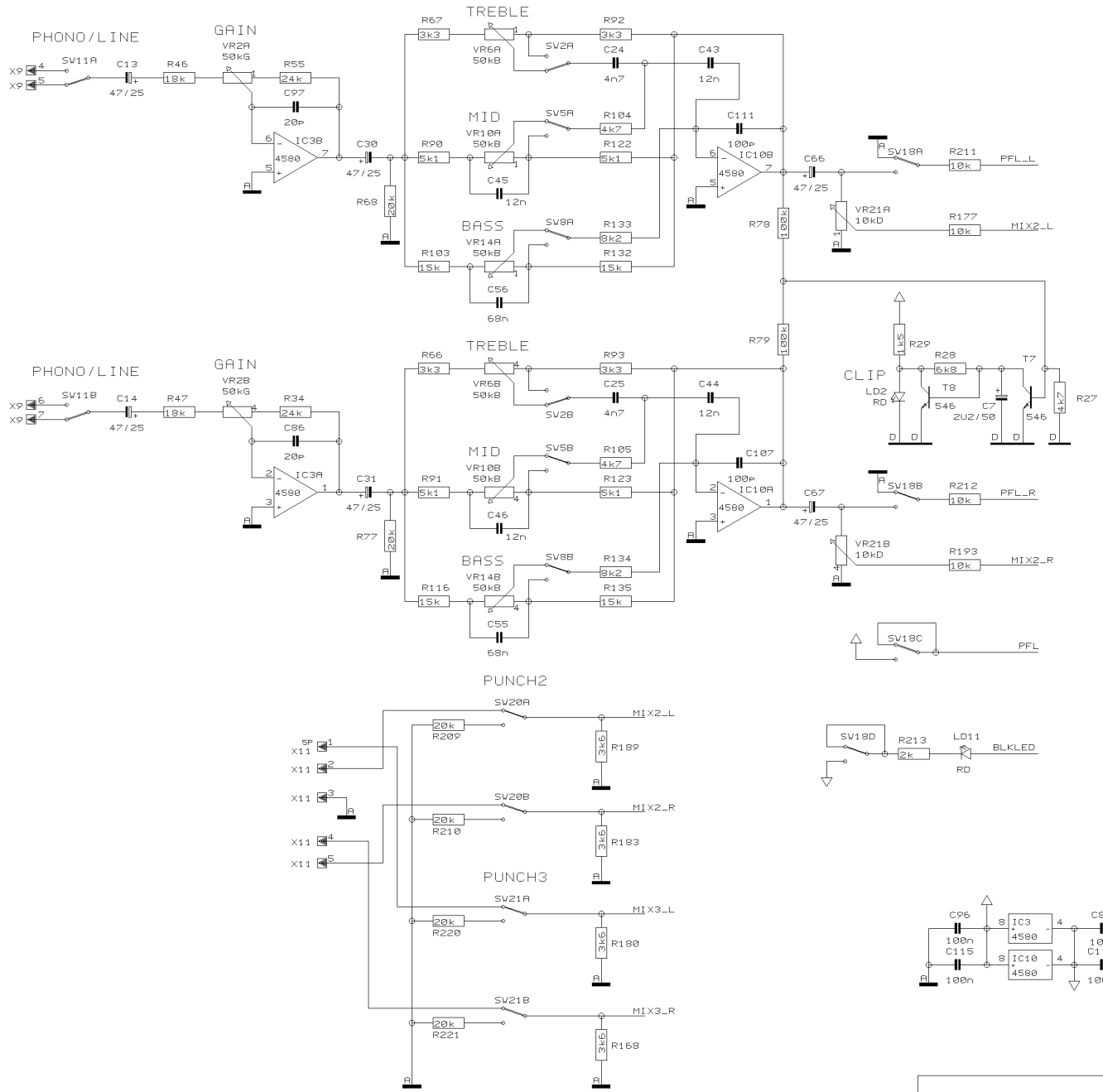
CHECKED

DATE 23.02. 1
7:58

BEHRINGER
Specialized Studio Equipment

PROJECT
DX500M
MIC/PHONO
CHANNEL_1

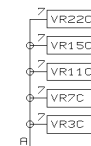
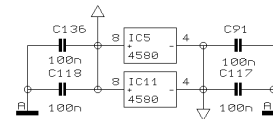
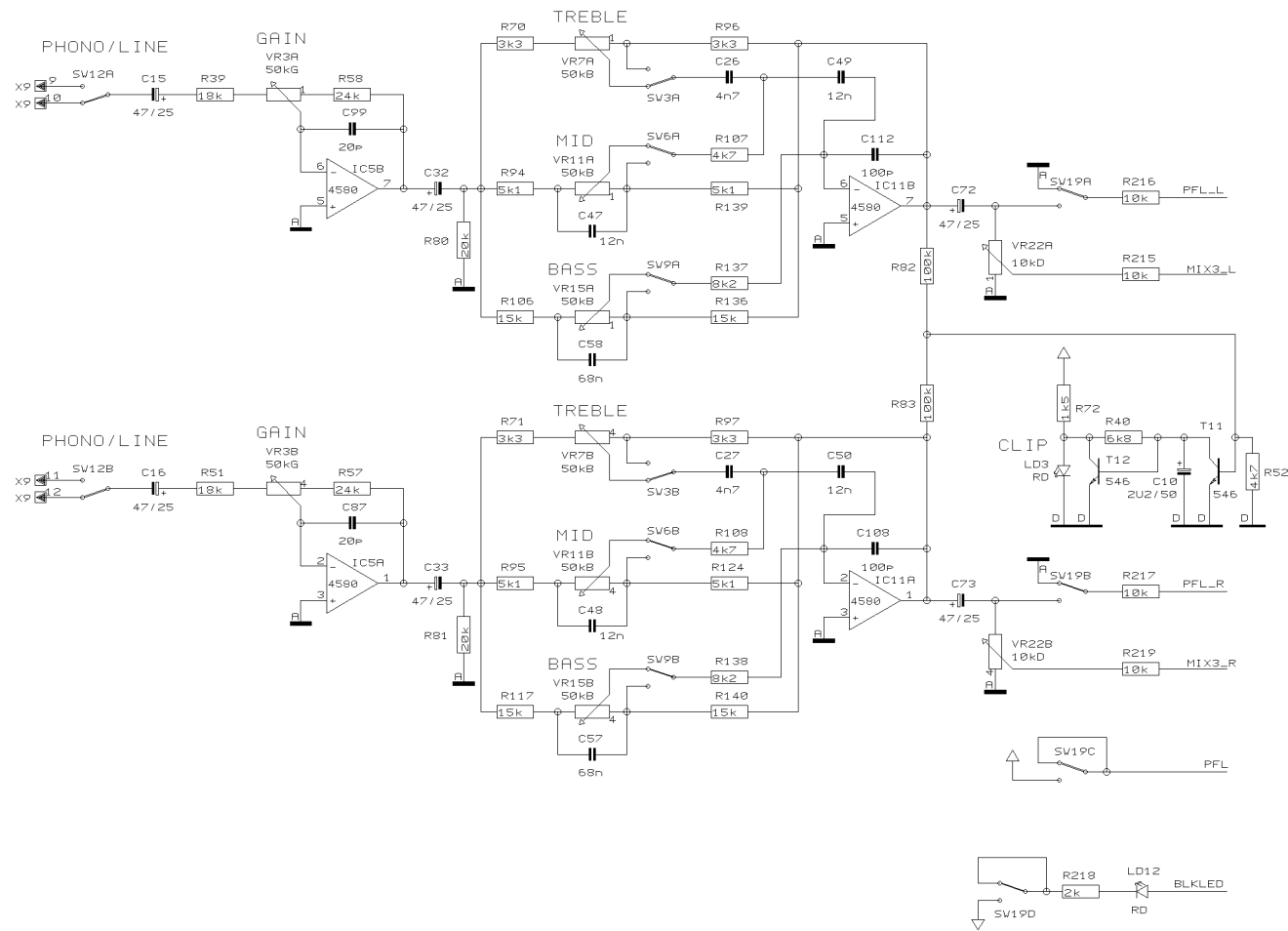
SHEET 1 OF 6 SHEETS TOTAL



REVISIONS		
E		
DRAWN	CHECKED	DATE 23.02. 17:58


 Specialized Studio Equipment

PROJECT
 DX500M
 LINE / PHONO
 CHANNEL_2
 SHEET 2 OF 6 SHEETS TOTAL



REVISIONS

E

DRAWN

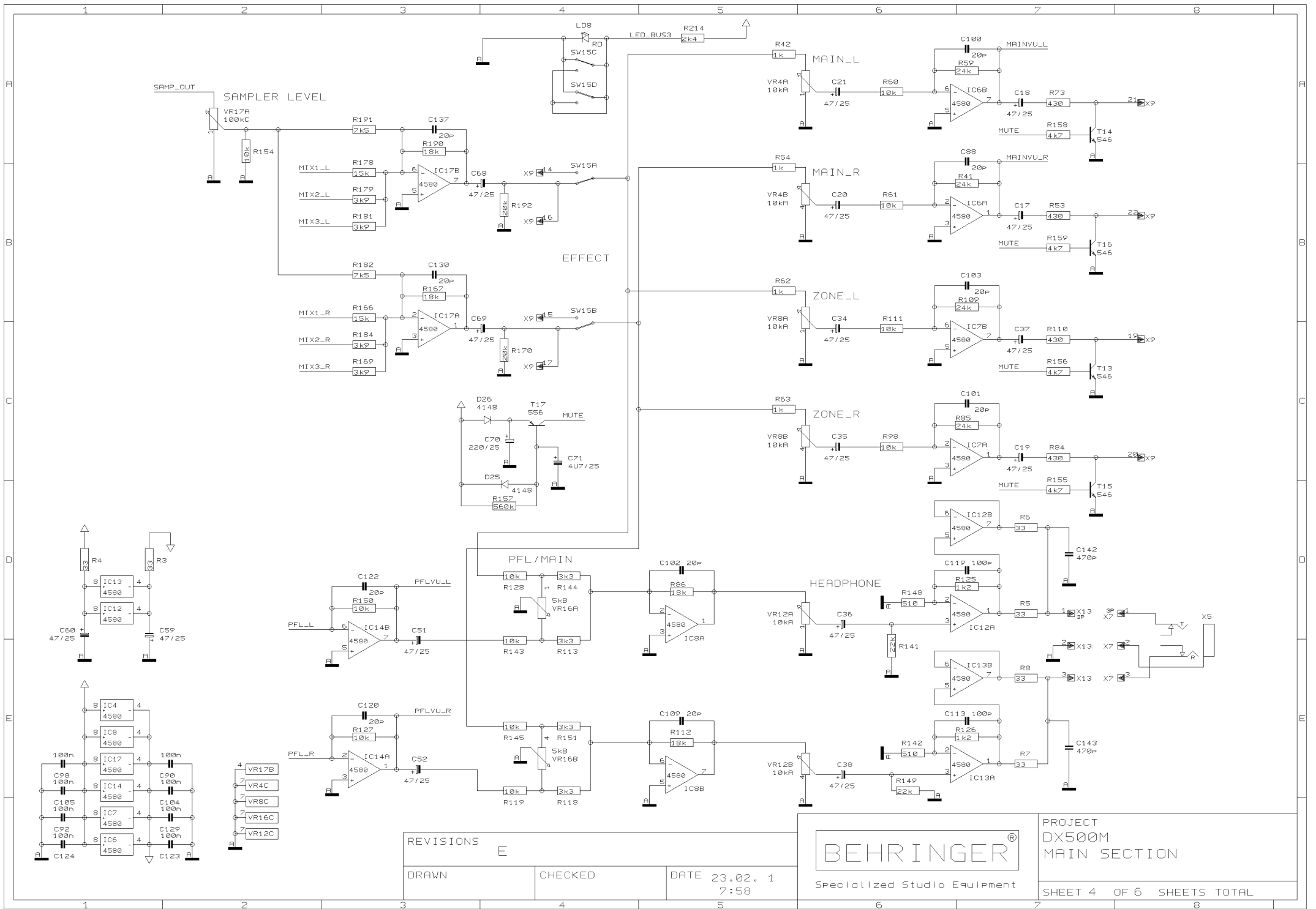
CHECKED

DATE 23.02. 1
7:58



PROJECT
DX500M
LINE / PHONO
CHANNEL_3

SHEET 3 OF 6 SHEETS TOTAL



REVISIONS

E

DRAWN

CHECKED

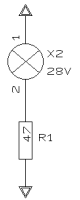
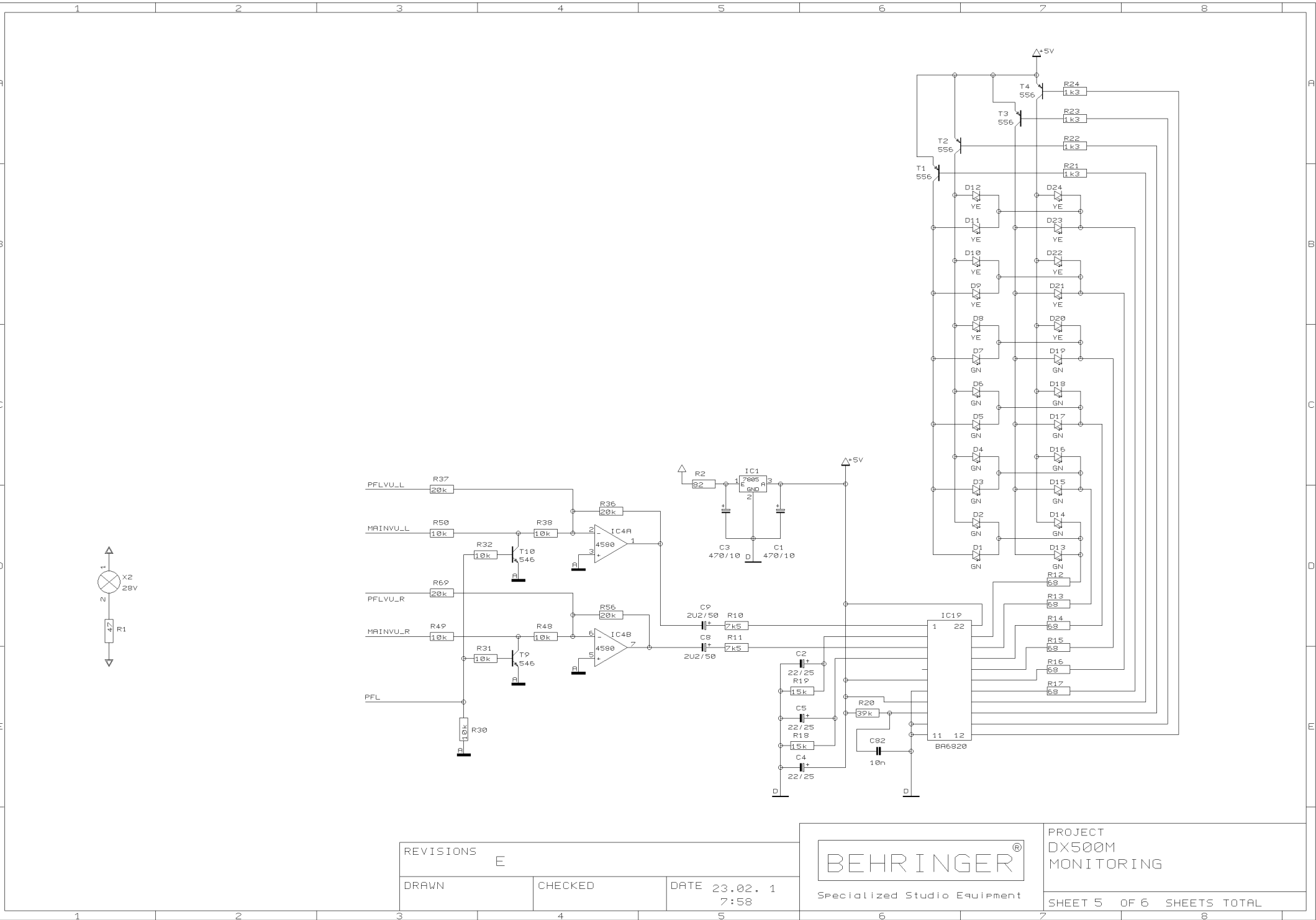
DATE 23.02. 1
7:58



Specialized Studio Equipment

PROJECT
DX500M
MAIN SECTION

SHEET 4 OF 6 SHEETS TOTAL



REVISIONS

E

DRAWN

CHECKED

DATE 23.02. 1
7:58

BEHRINGER®

Specialized Studio Equipment

PROJECT
DX500M
MONITORING

SHEET 5 OF 6 SHEETS TOTAL

