

REVISIONS F (260799)

DRAWN

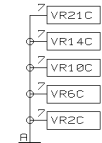
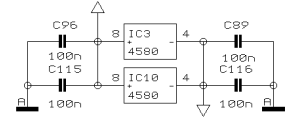
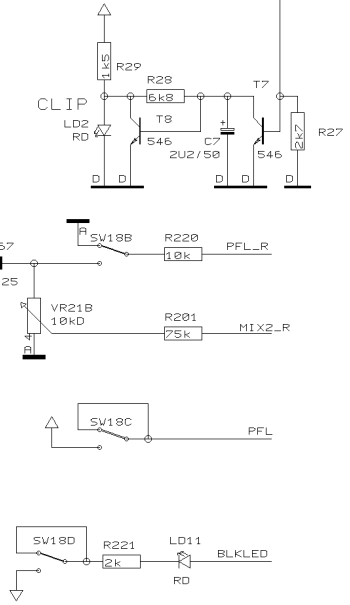
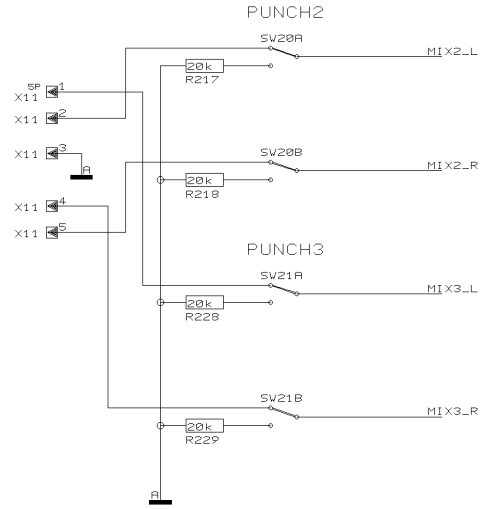
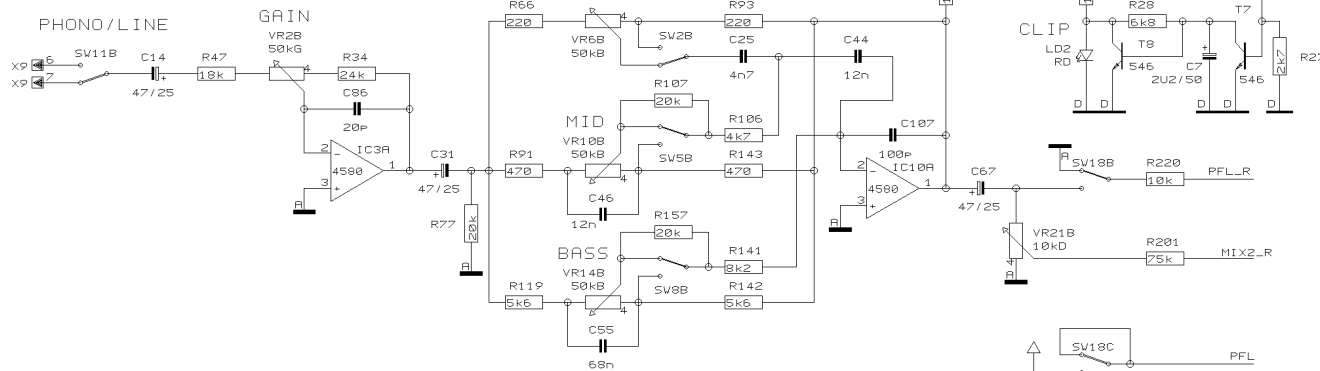
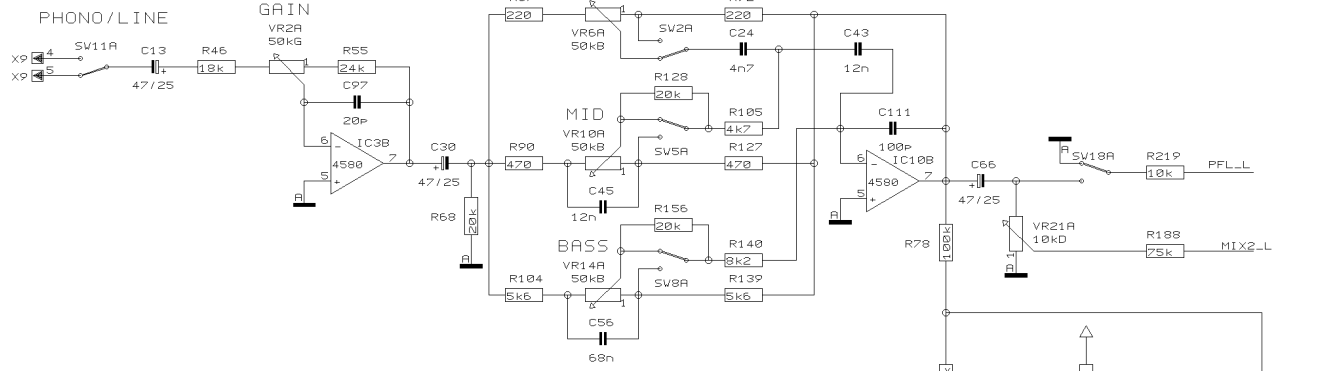
CHECKED

DATE 23.02. 1
7:59



PROJECT
DX500M
MIC/PHONO
CHANNEL_1

SHEET 1 OF 6 SHEETS TOTAL



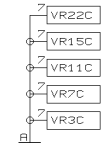
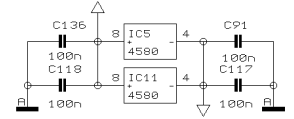
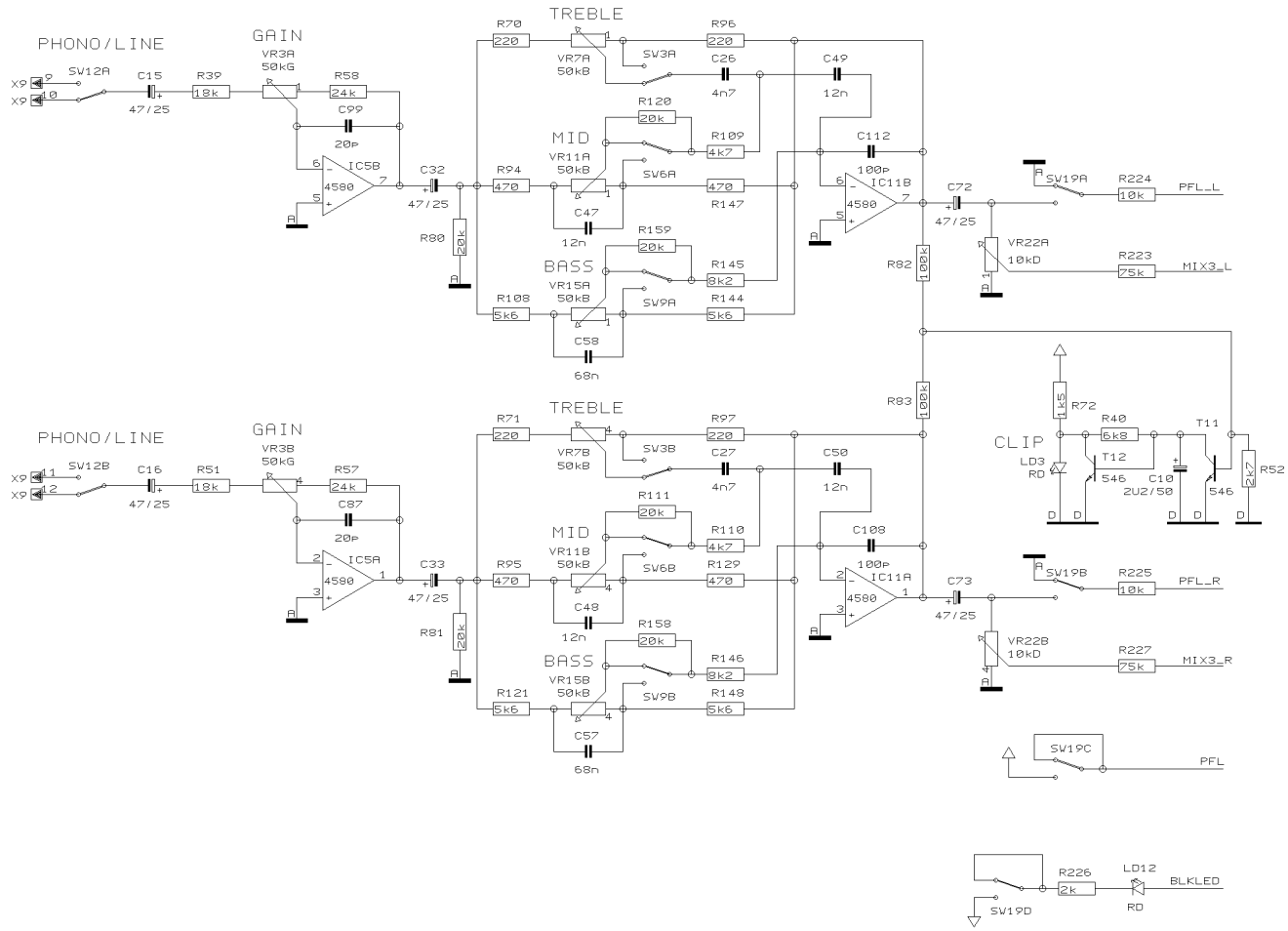
REVISIONS		
F		
DRAWN	CHECKED	DATE 23.02. 17:59

BEHRINGER®

Specialized Studio Equipment

PROJECT
DX500M
LINE / PHONO
CHANNEL_2

SHEET 2 OF 6 SHEETS TOTAL

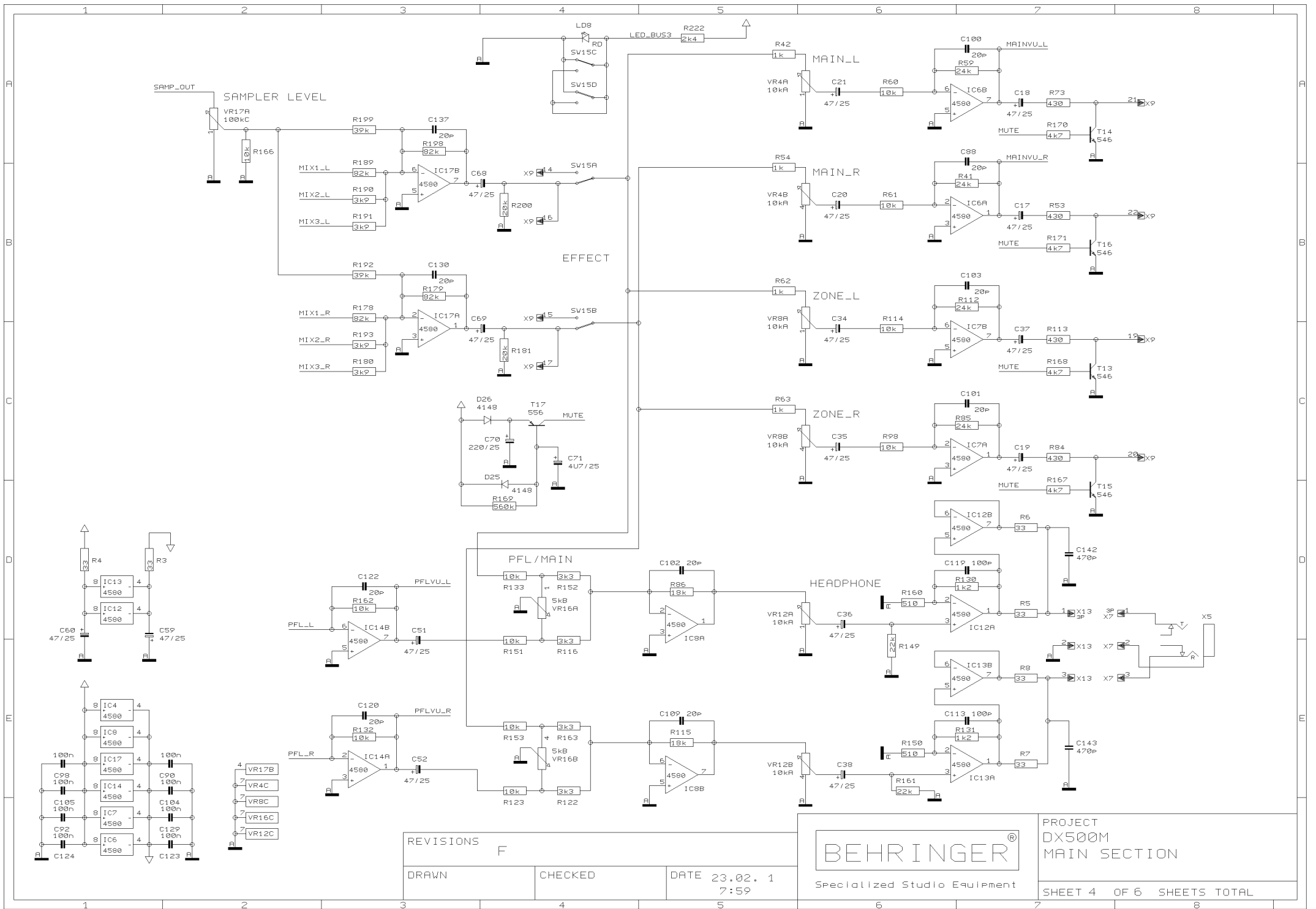


REVISIONS		
F		
DRAWN	CHECKED	DATE 23.02. 17:59



PROJECT
DX500M
LINE / PHONO
CHANNEL_3

SHEET 3 OF 6 SHEETS TOTAL



REVISIONS

F

DRAWN

CHECKED

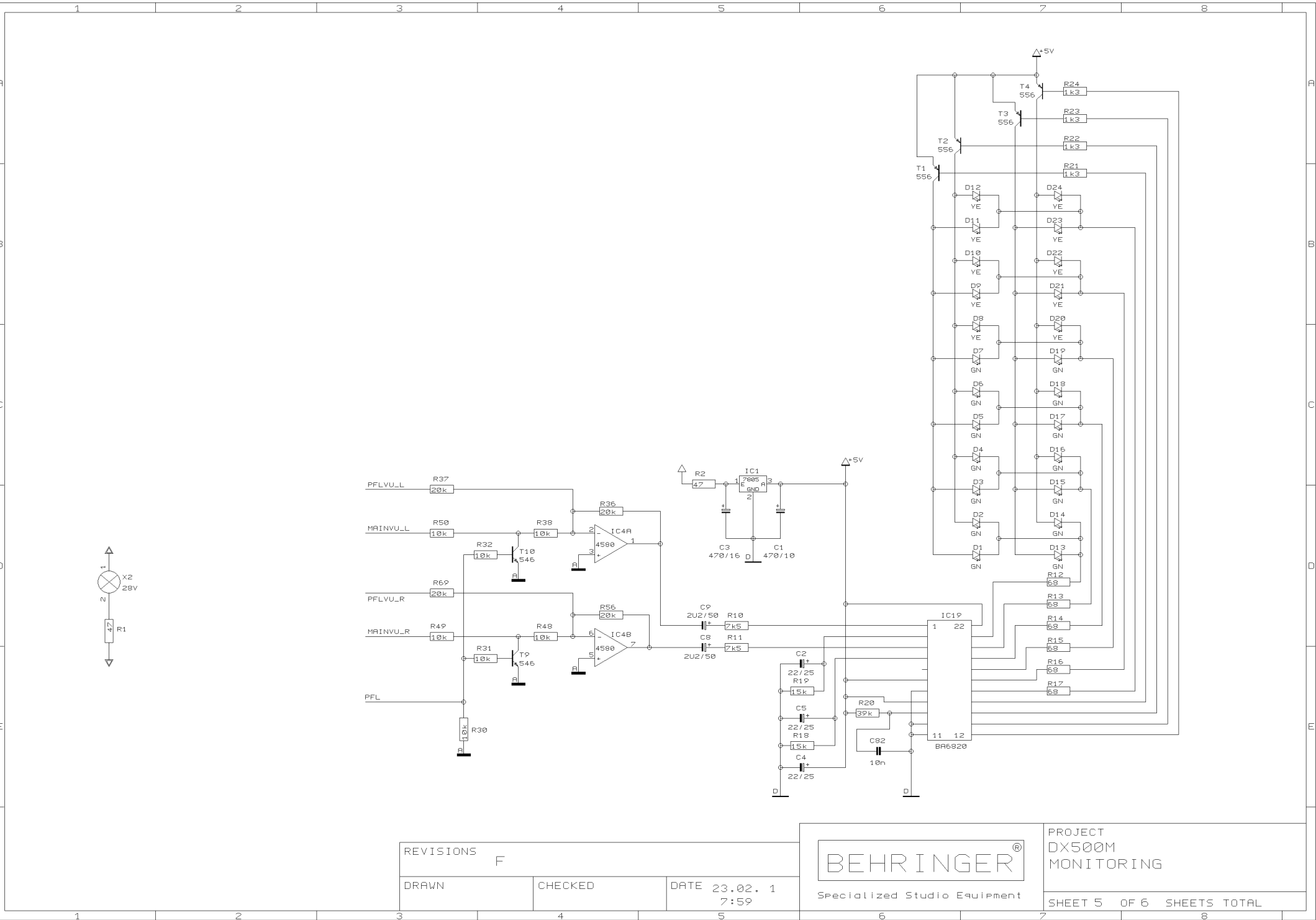
DATE 23.02. 1
7:59

BEHRINGER®

Specialized Studio Equipment

PROJECT
DX500M
MAIN SECTION

SHEET 4 OF 6 SHEETS TOTAL



REVISIONS

F

DRAWN

CHECKED

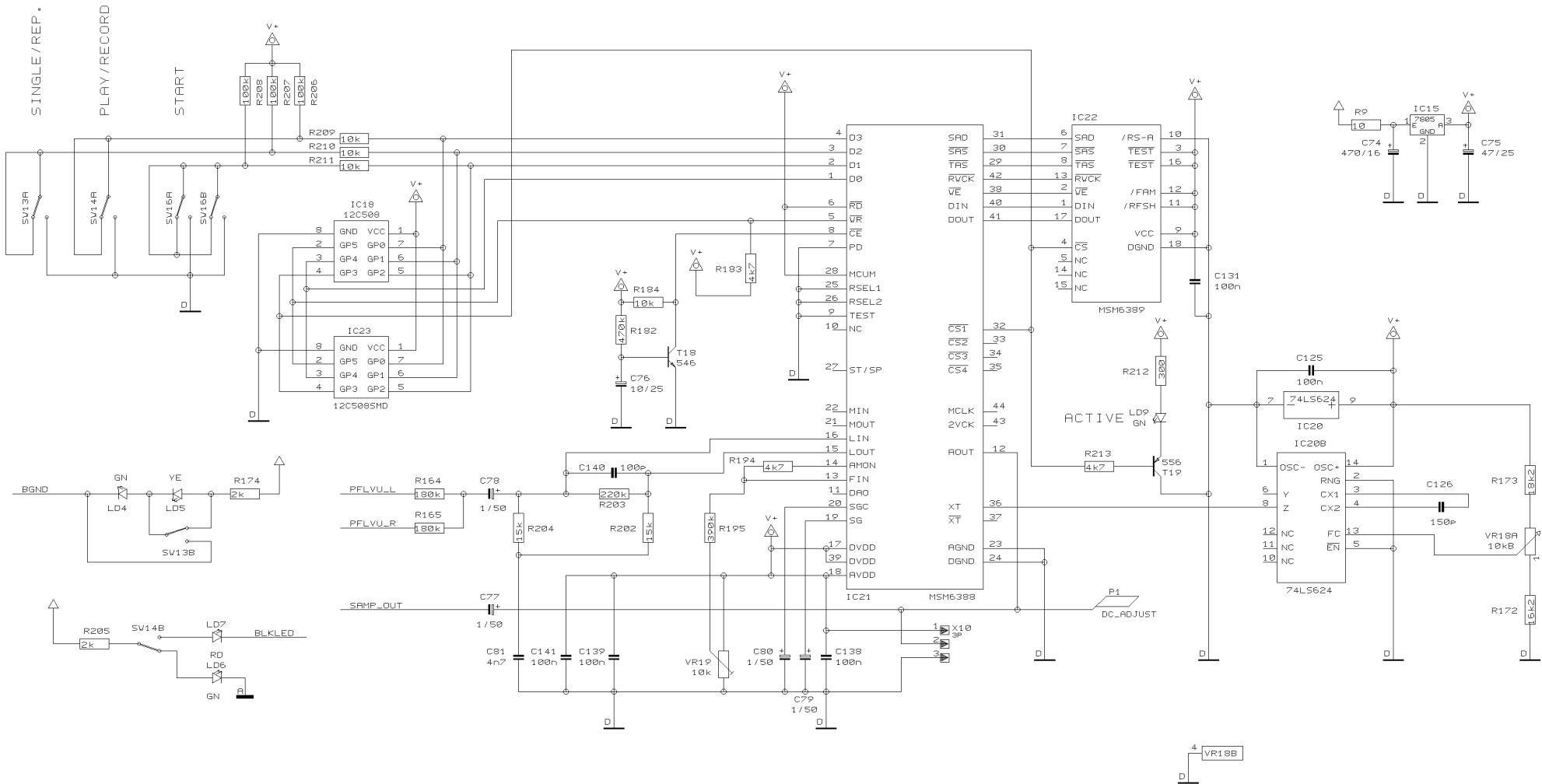
DATE 23.02. 1
7:59

BEHRINGER®

Specialized Studio Equipment

PROJECT
DX500M
MONITORING

SHEET 5 OF 6 SHEETS TOTAL



REVISIONS

F

DRAWN

CHECKED

DATE 23.02. 1
7:59

BEHRINGER®

Specialized Studio Equipment

PROJECT
DX500M
SAMPLER

SHEET 6 OF 6 SHEETS TOTAL