

REVISIONS G (030999)

DRAWN

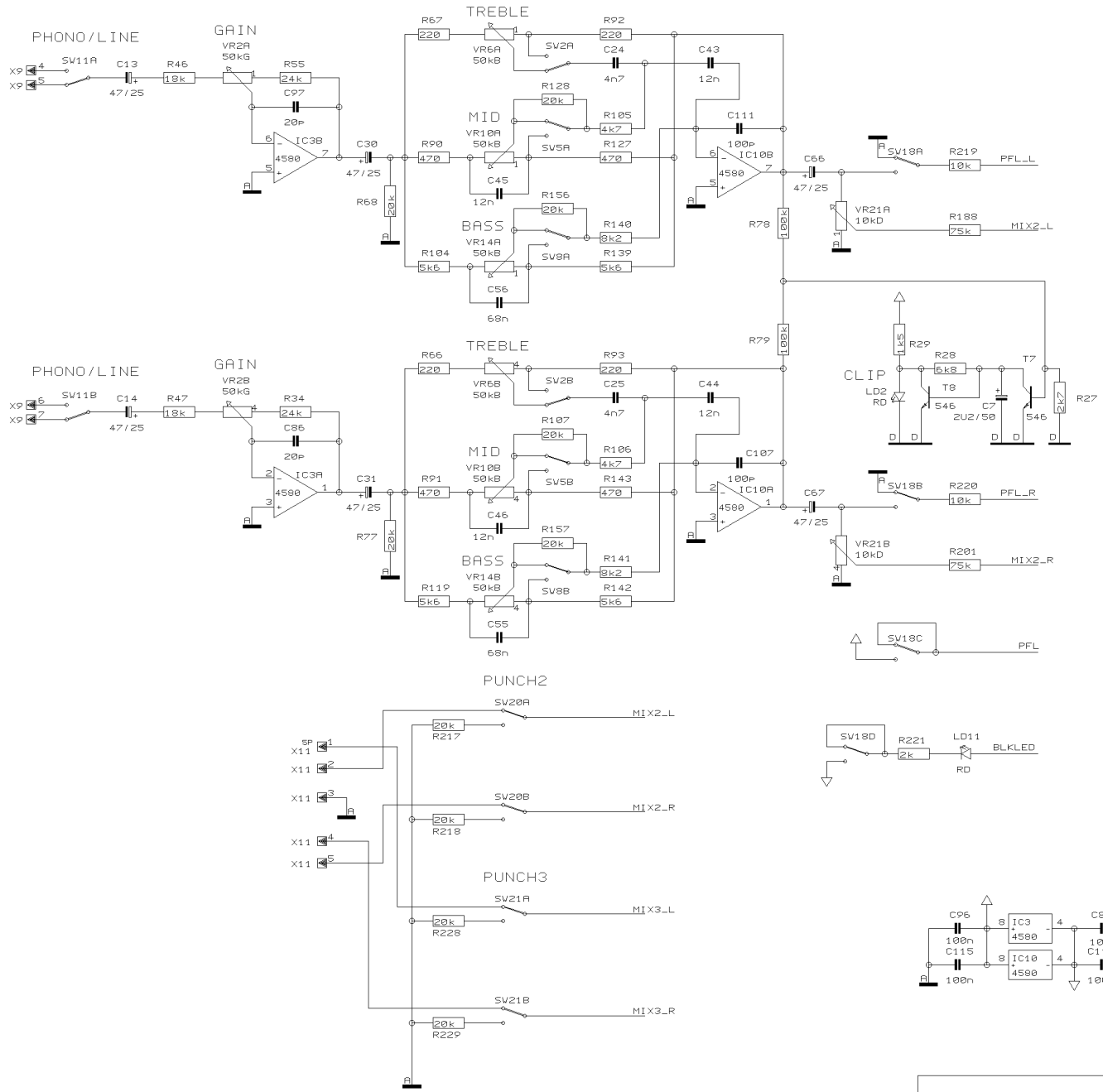
CHECKED

DATE 23.02. 1
8:00

BEHRINGER[®]
Specialized Studio Equipment

PROJECT
DX500M
MIC/PHONO
CHANNEL_1

SHEET 1 OF 6 SHEETS TOTAL



REVISIONS

G

DRAWN

CHECKED

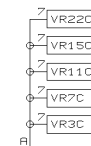
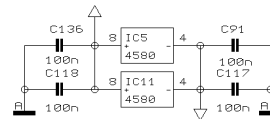
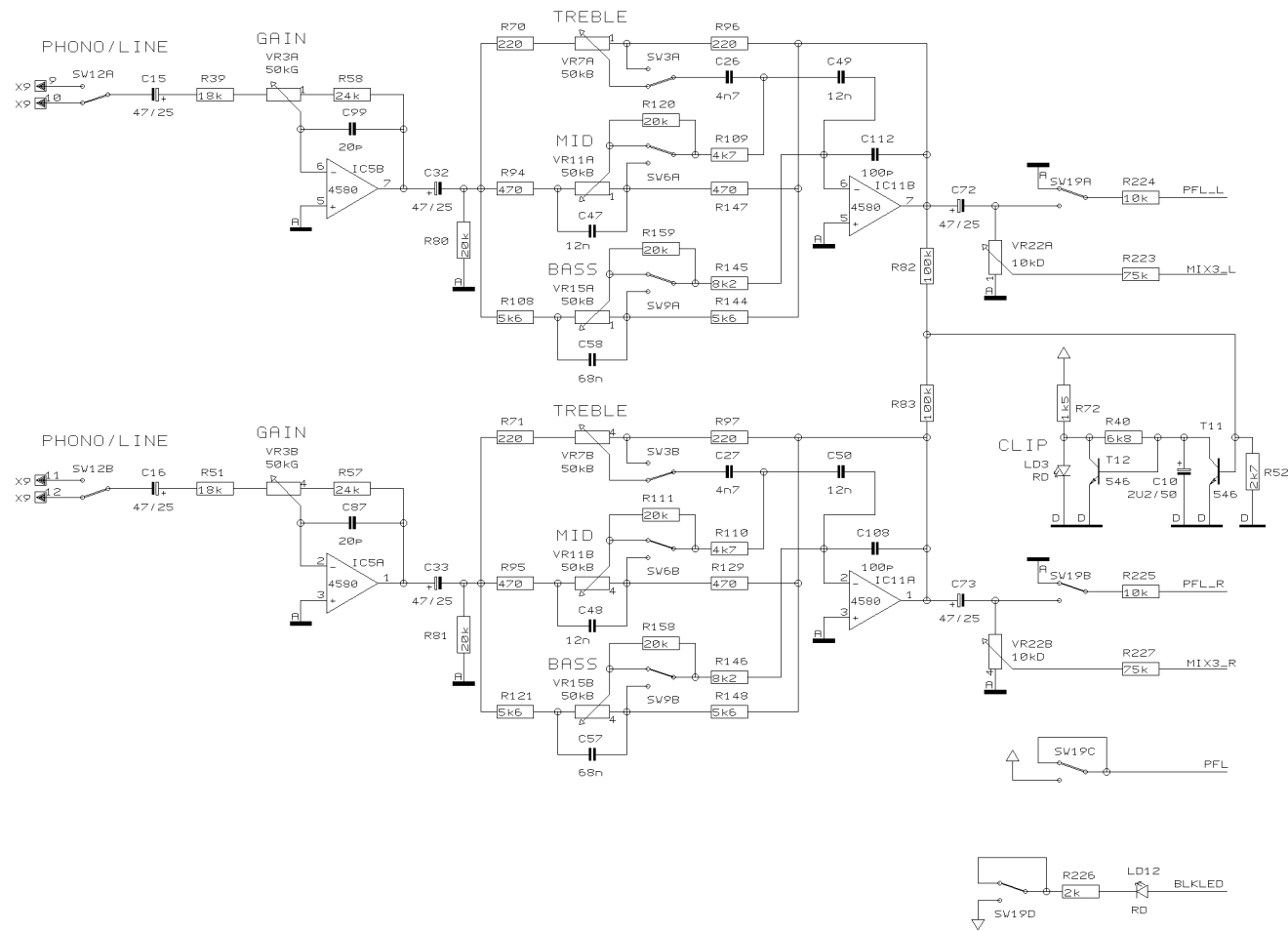
DATE 23.02. 1
8:00

BEHRINGER®

Specialized Studio Equipment

PROJECT
DX500M
LINE / PHONO
CHANNEL_2

SHEET 2 OF 6 SHEETS TOTAL



REVISIONS

G

DRAWN

CHECKED

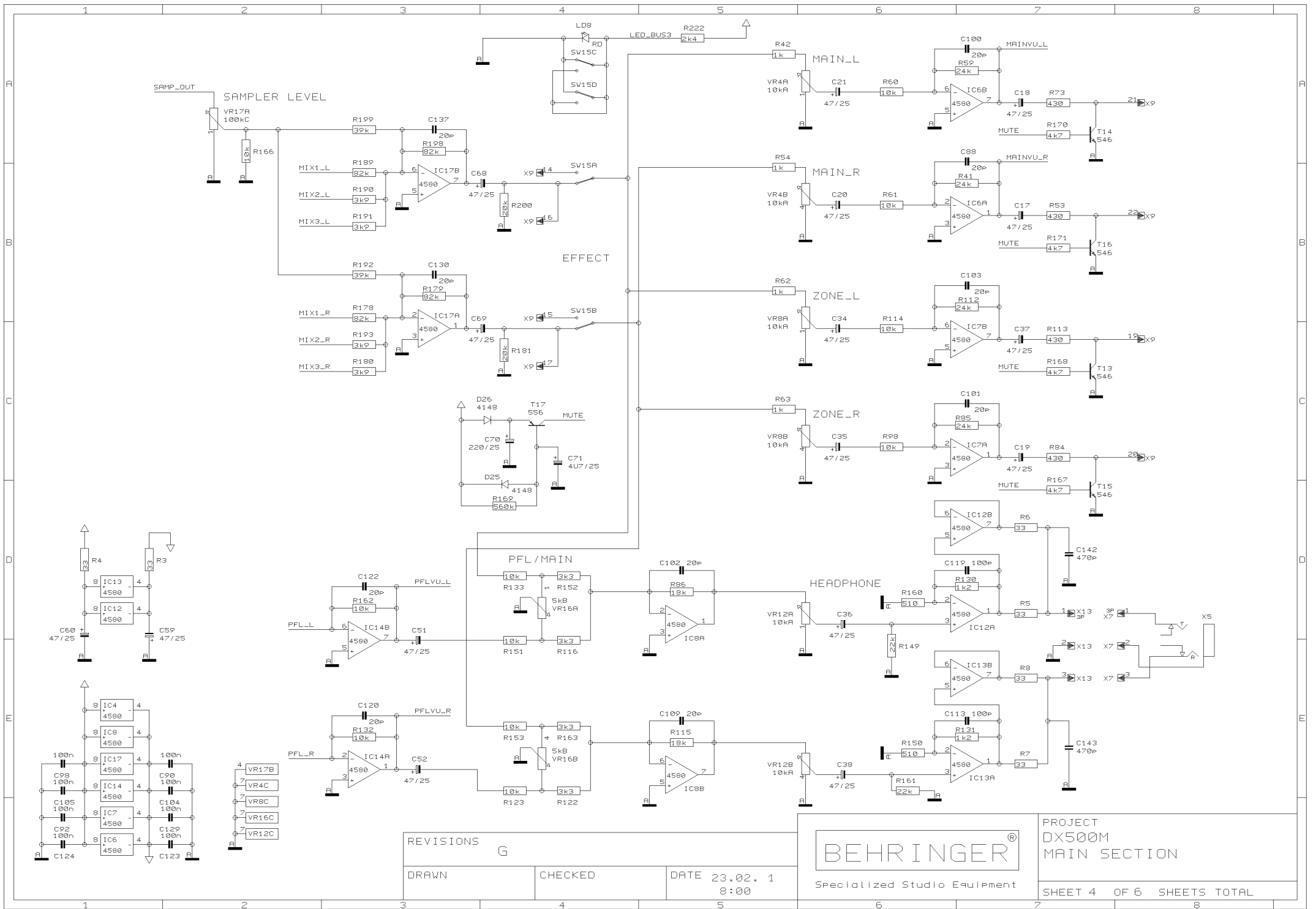
DATE 23.02. 1
8:00

BEHRINGER[®]

Specialized Studio Equipment

PROJECT
DX500M
LINE / PHONO
CHANNEL_3

SHEET 3 OF 6 SHEETS TOTAL



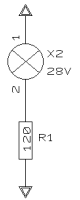
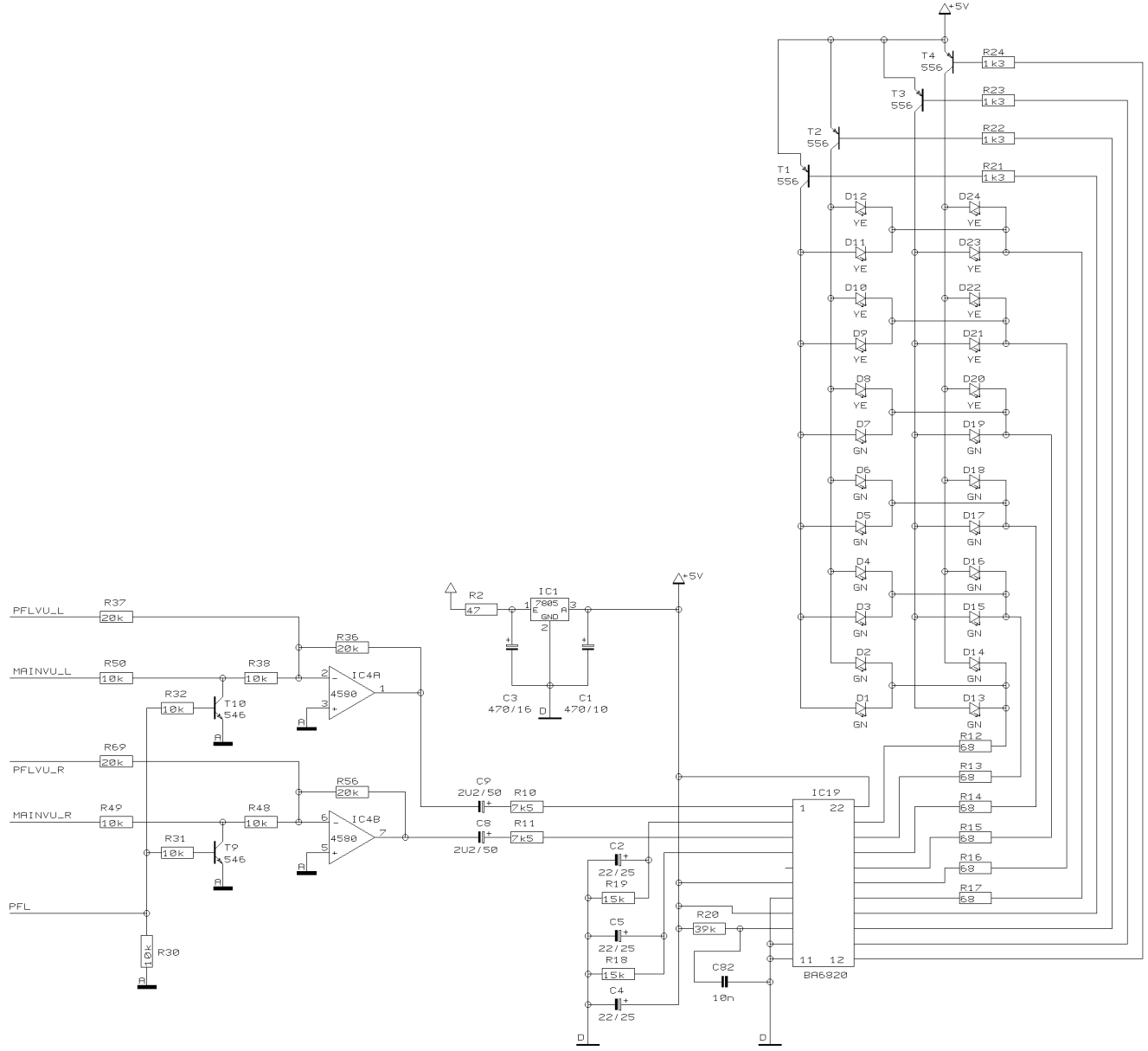
REVISIONS G

DRAWN CHECKED DATE 23.02. 1 8:00



PROJECT DX500M MAIN SECTION

SHEET 4 OF 6 SHEETS TOTAL



REVISIONS

G

DRAWN

CHECKED

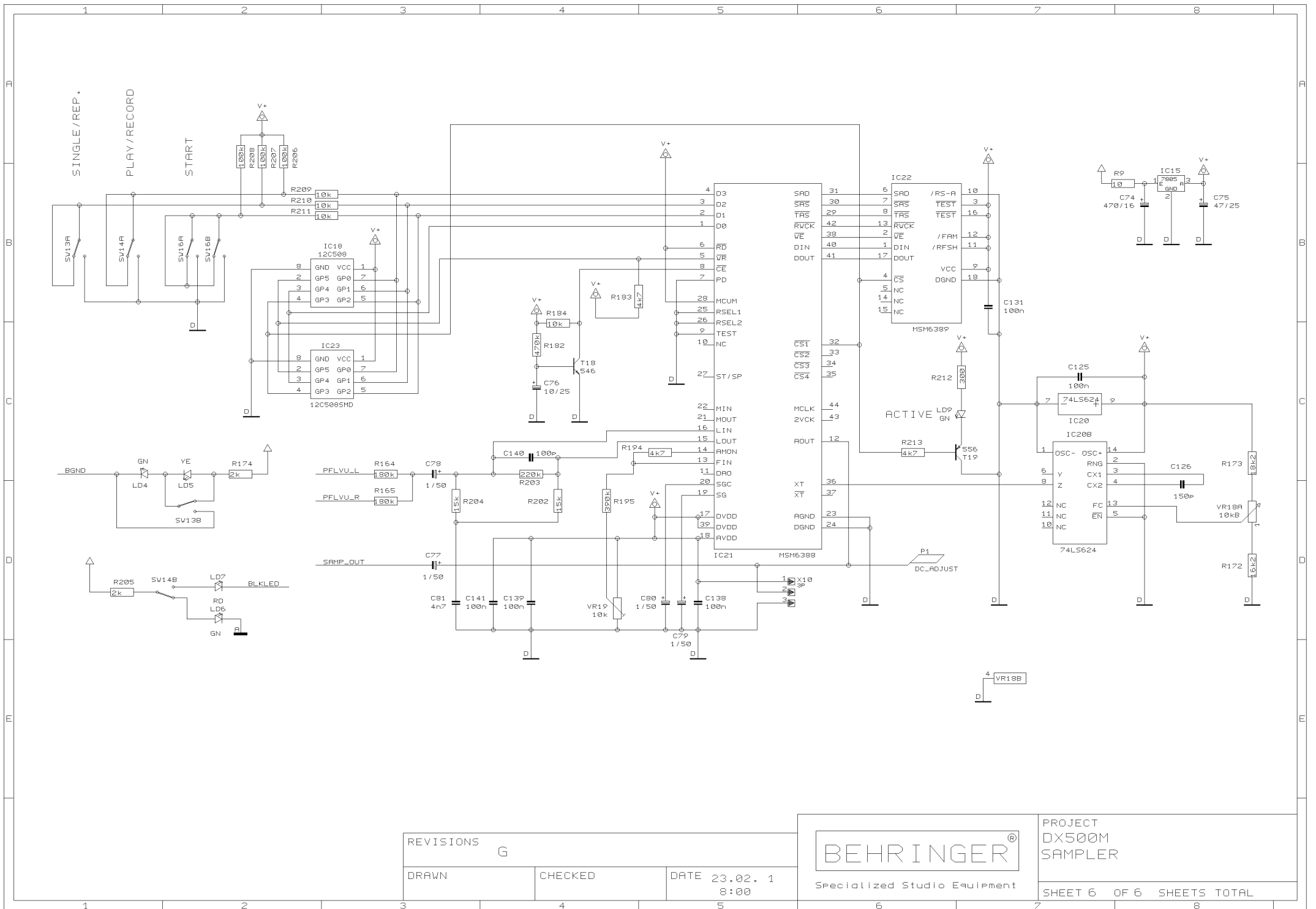
DATE 23.02. 1
8:00

BEHRINGER®

Specialized Studio Equipment

PROJECT
DX500M
MONITORING

SHEET 5 OF 6 SHEETS TOTAL



REVISIONS

G

DRAWN

CHECKED

DATE 23.02. 1
8:00

BEHRINGER®

Specialized Studio Equipment

PROJECT
DX500M
SAMPLER

SHEET 6 OF 6 SHEETS TOTAL