

REVISIONS F (21/07/03)

DRAWN MH

CHECKED

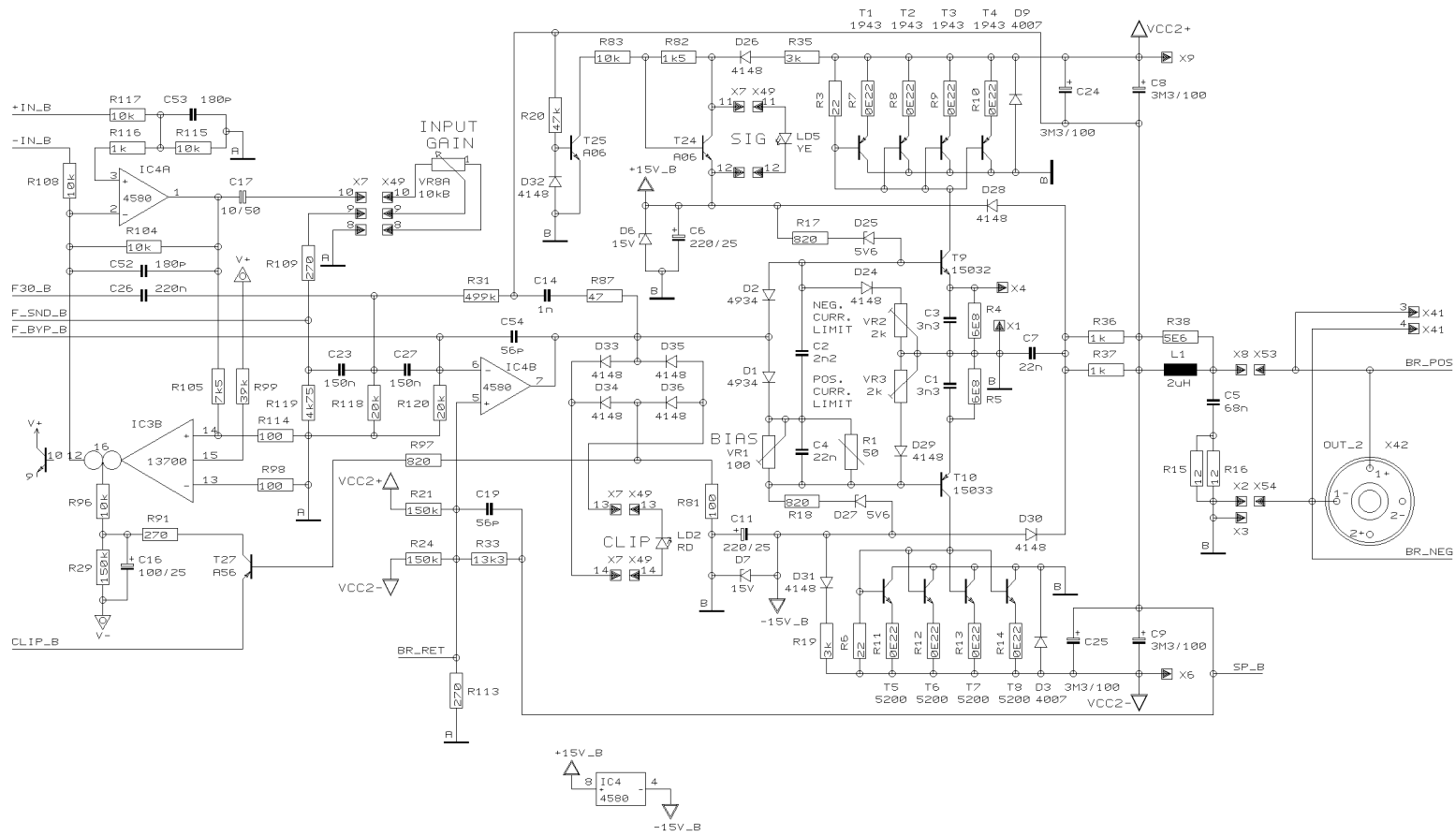
DATE 02.02. 5
12:35

BEHRINGER®

Specialized Studio Equipment

PROJECT
EP1500
EUROPOWER
CHANNEL_1

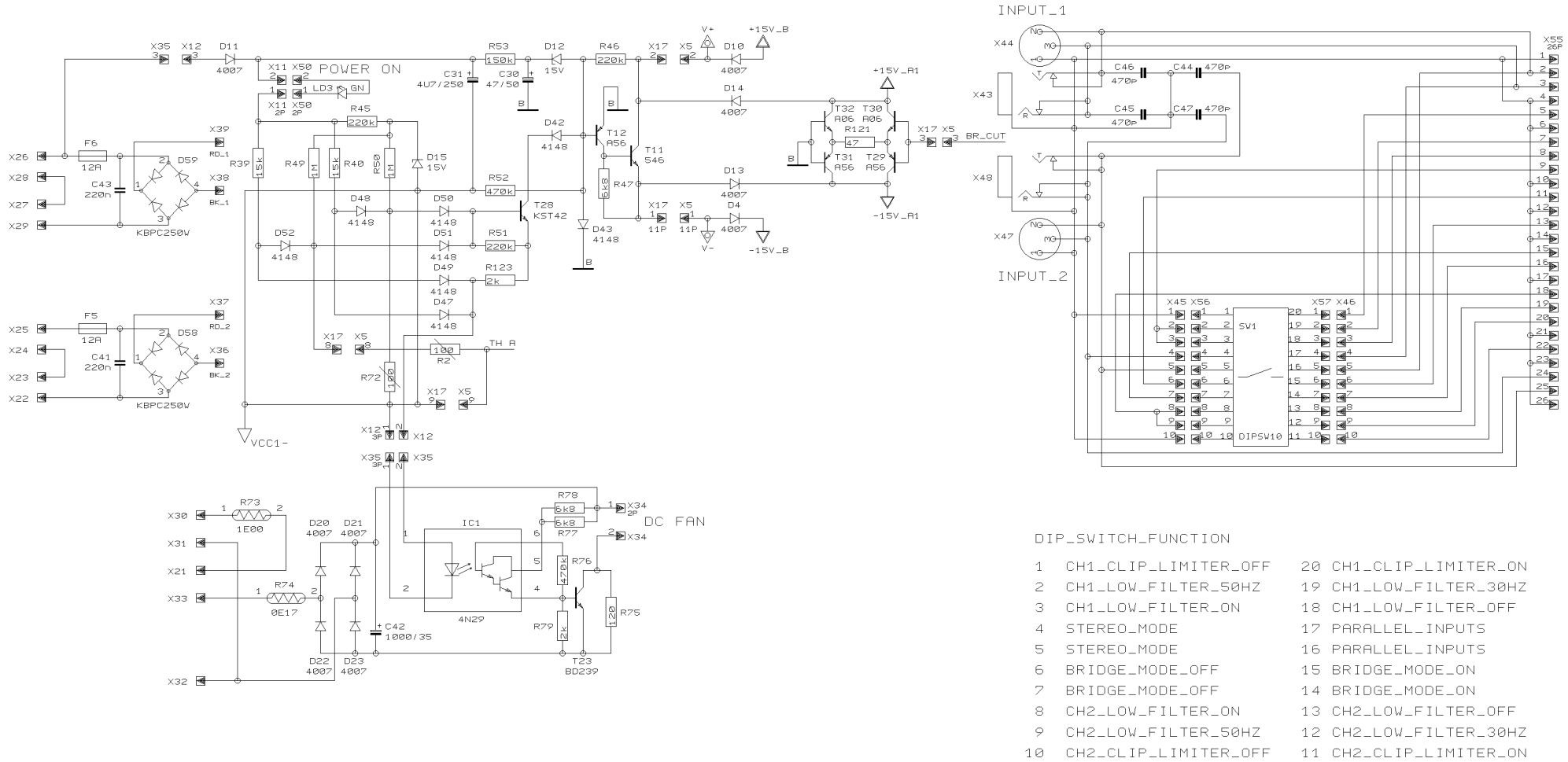
SHEET 1 OF 3 SHEETS TOTAL



REVISIONS	F			DATE	02.02. 5
DRAWN	MH	CHECKED			12:35



PROJECT	EP1500
EUROPOWER	CHANNEL_2
SHEET 2	OF 3 SHEETS TOTAL



REVISIONS

F

DRAWN MH

CHECKED

DATE 02.02. 5
12:35

BEHRINGER[®]

Specialized Studio Equipment

PROJECT

EP1500

EUROPOWER

PSU/INPUT STAGE

SHEET 3 OF 3 SHEETS TOTAL