

**BEHRINGER**

PROJECT P0183  
EUROPOWER  
CHANNEL\_1

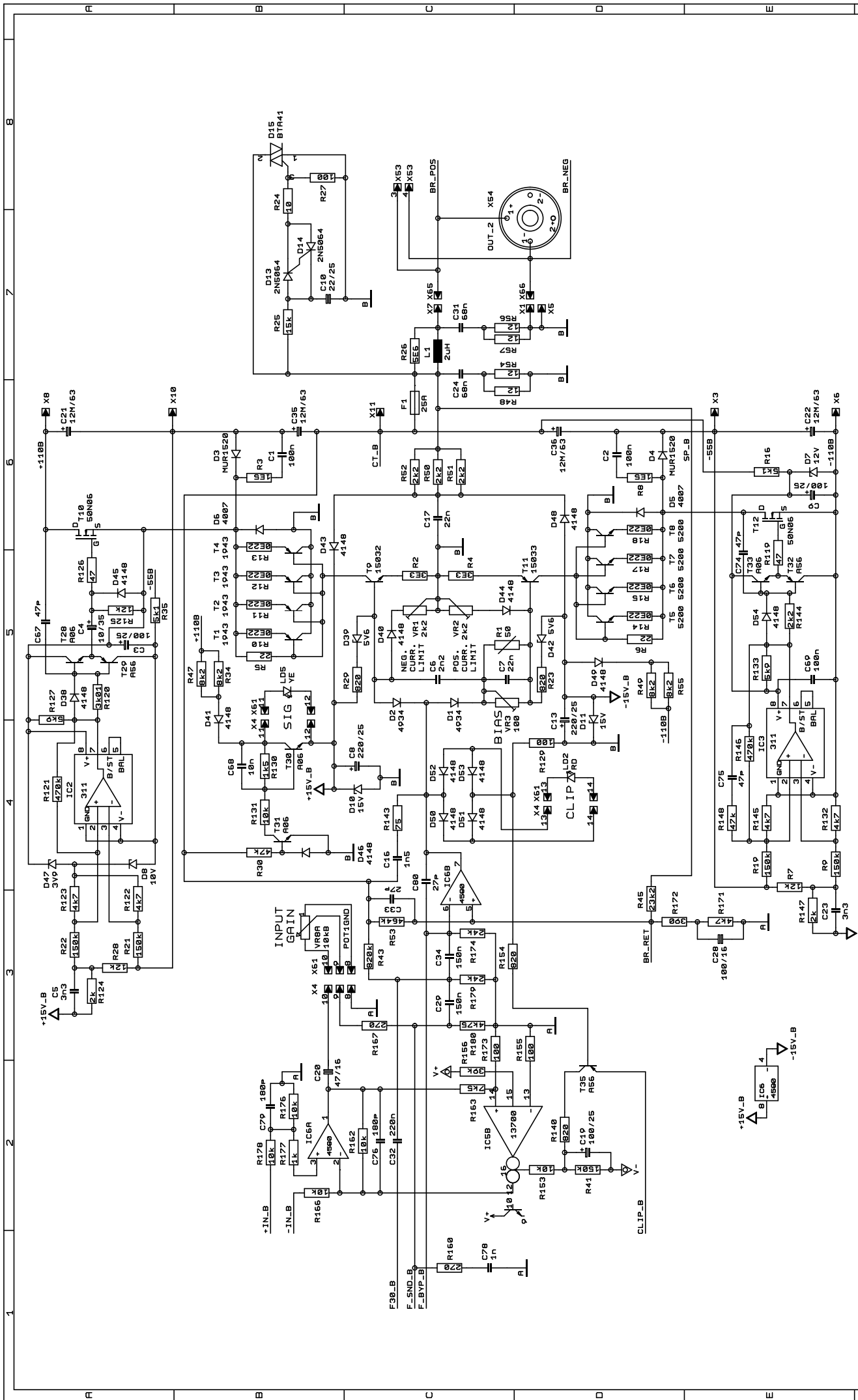
SHEET 1 OF 3 SHEETS TOTAL

---

REVISIONS H (23/03/09)

DRAWN	CHECKED
DF / SA	DATE 27.10.9 10:05

THIS DOCUMENT CONTAINS PROPRIETARY INFORMATION WHICH IS THE PROPERTY OF BEHRINGER. IT MAY NOT BE DISCLOSED, REPRODUCED OR USED WITHOUT EXPRESS WRITTEN CONSENT FROM BEHRINGER.



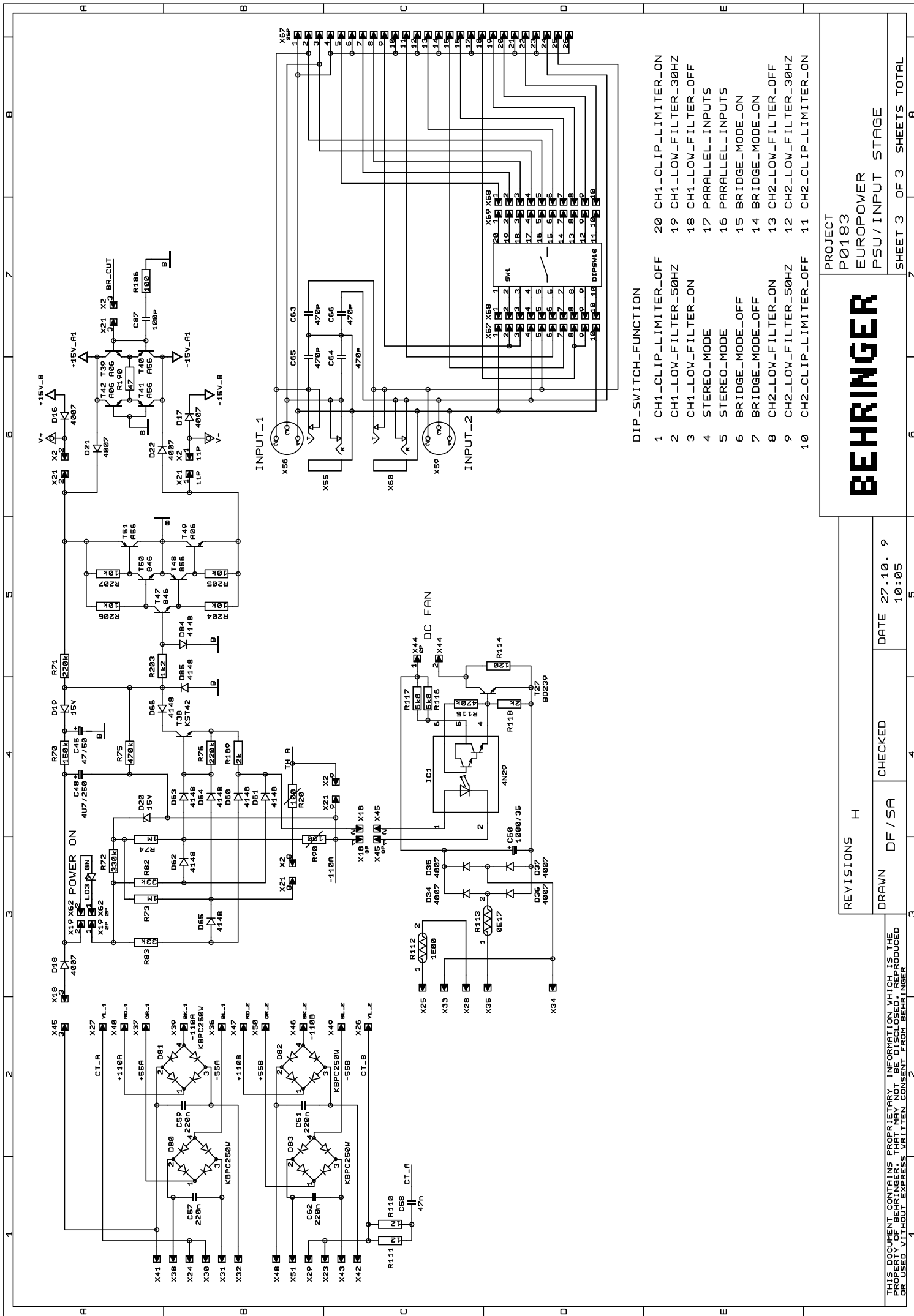
PROJECT  
 P0183  
 EUROPOWER  
 CHANNEL\_2

# BEHRINGER

REVISONS	H	CHECKED	DATE
DRAWN	DF / SA		27.10. 9
			10:05

THIS DOCUMENT CONTAINS PROPRIETARY INFORMATION WHICH IS THE PROPERTY OF BEHRINGER. IT MAY NOT BE DISCLOSED, REPRODUCED OR USED IN ANY MANNER WITHOUT EXPRESS WRITTEN CONSENT FROM BEHRINGER.

SHEET 2 OF 3 SHEETS TOTAL



PROJECT  
P0183  
EUROPOWER  
PSU/INPUT STAGE

# BEHRINGER

REVISIONS	H	CHECKED	DATE	27.10. 9
DRAWN	DF / SA			10:05

THIS DOCUMENT CONTAINS PROPRIETARY INFORMATION WHICH IS THE PROPERTY OF BEHRINGER. IT MAY NOT BE DISCLOSED, REPRODUCED OR USED IN ANY MANNER WITHOUT EXPRESS WRITTEN CONSENT FROM BEHRINGER.

- DIP-SWITCH\_FUNCTION
- 1 CH1\_CLIP\_LIMITER\_OFF
  - 2 CH1\_CLIP\_LIMITER\_ON
  - 3 CH1\_LOW\_FILTER\_50HZ
  - 4 CH1\_LOW\_FILTER\_30HZ
  - 5 CH1\_LOW\_FILTER\_OFF
  - 6 STEREO\_MODE
  - 7 STEREO\_MODE
  - 8 STEREO\_MODE
  - 9 BRIDGE\_MODE\_OFF
  - 10 BRIDGE\_MODE\_ON
  - 11 BRIDGE\_MODE\_ON
  - 12 CH2\_CLIP\_LIMITER\_OFF
  - 13 CH2\_CLIP\_LIMITER\_ON
  - 14 CH2\_LOW\_FILTER\_50HZ
  - 15 CH2\_LOW\_FILTER\_30HZ
  - 16 CH2\_LOW\_FILTER\_OFF
  - 17 CH2\_CLIP\_LIMITER\_OFF
  - 18 CH2\_CLIP\_LIMITER\_ON
  - 19 CH2\_LOW\_FILTER\_50HZ
  - 20 CH2\_LOW\_FILTER\_30HZ