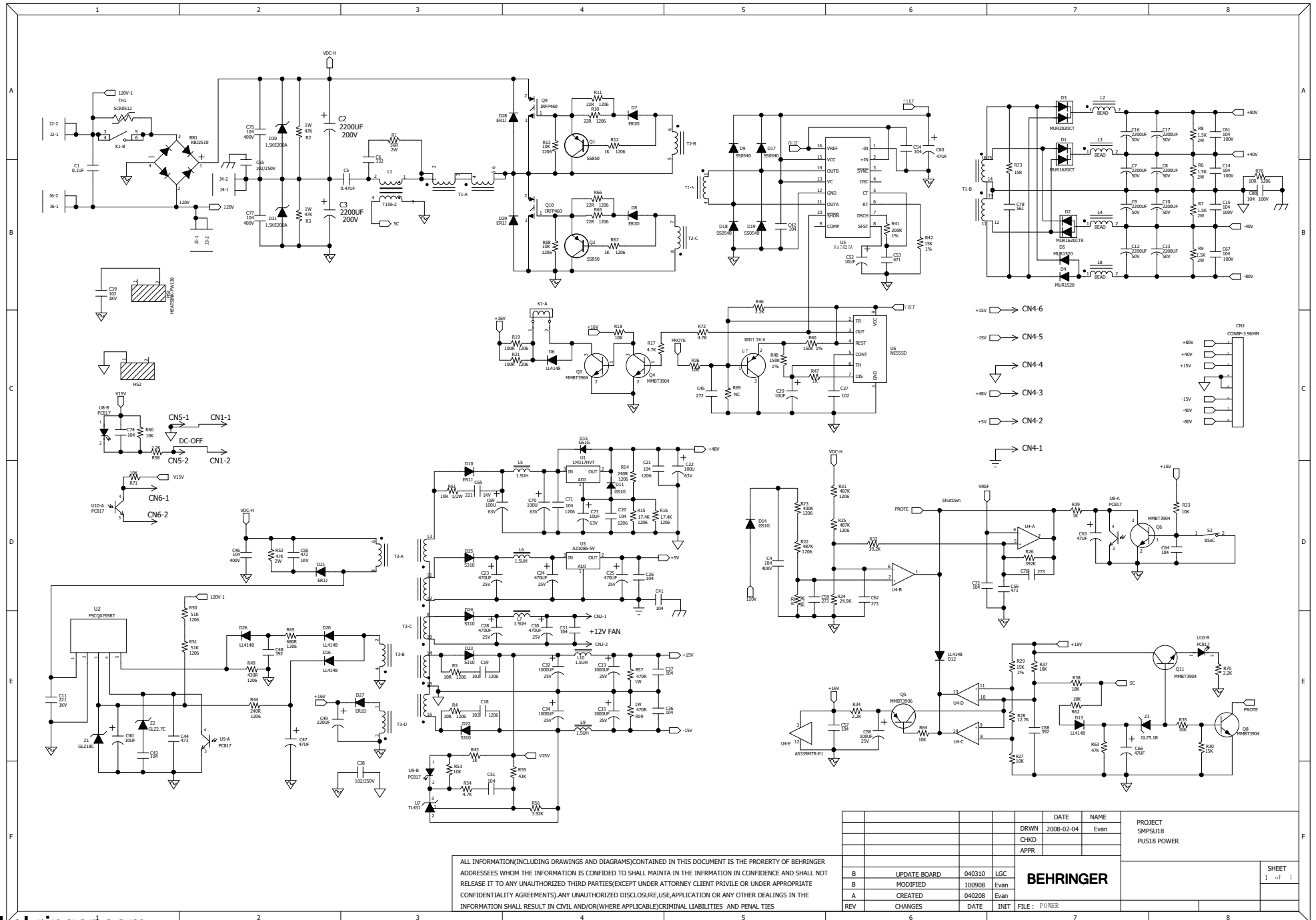


THIS DOCUMENT CONTAINS PROPRIETARY INFORMATION WHICH IS THE PROPERTY OF BEHRINGER. THAT MAY NOT BE DISCLOSED, REPRODUCED OR USED WITHOUT EXPRESS WRITTEN CONSENT FROM BEHRINGER.

REVISIONS		
E (29/10/08)		
DRAWN	RC	CHECKED
		DATE 24.11. 9
		15:07

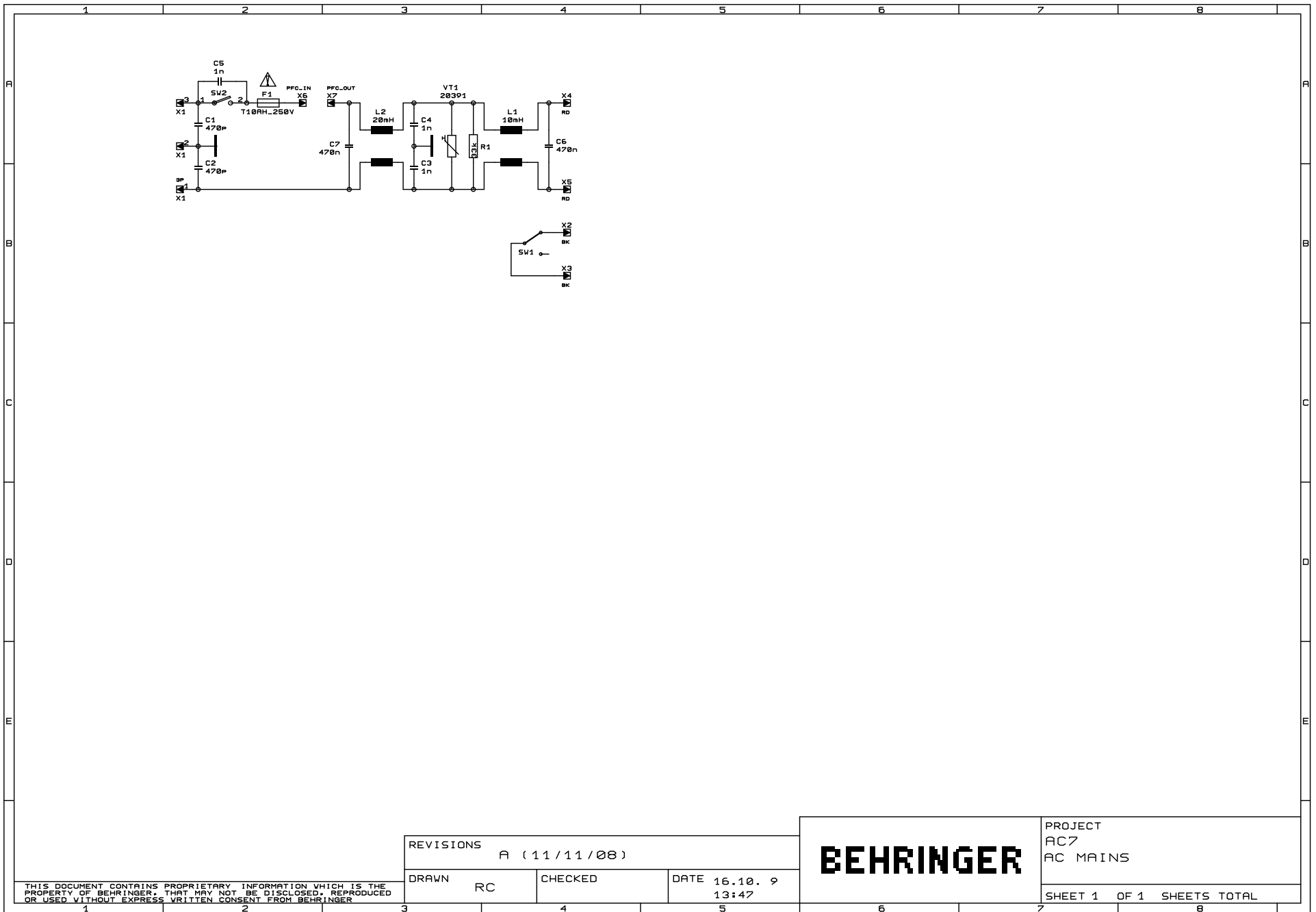
BEHRINGER	PROJECT
	P0431_04
	EUROPORT
	EPA900 CROSSOVER
SHEET 1 OF 1 SHEETS TOTAL	

PSU18 POWER REVA. sch-1 - Fri Mar 05 13:44:16 2010



ALL INFORMATION (INCLUDING DRAWINGS AND DIAGRAMS) CONTAINED IN THIS DOCUMENT IS THE PROPERTY OF BEHRINGER ADDRESSES WHOM THE INFORMATION IS CONFIDED TO SHALL MAINTAIN THE INFORMATION IN CONFIDENCE AND SHALL NOT RELEASE IT TO ANY UNAUTHORIZED THIRD PARTIES (EXCEPT UNDER ATTORNEY CLIENT PRIVILEGE OR UNDER APPROPRIATE CONFIDENTIALITY AGREEMENTS). ANY UNAUTHORIZED DISCLOSURE, USE, APPLICATION OR ANY OTHER DEALINGS IN THE INFORMATION SHALL RESULT IN CIVIL AND/OR (WHERE APPLICABLE) CRIMINAL LIABILITIES AND PENAL TIES

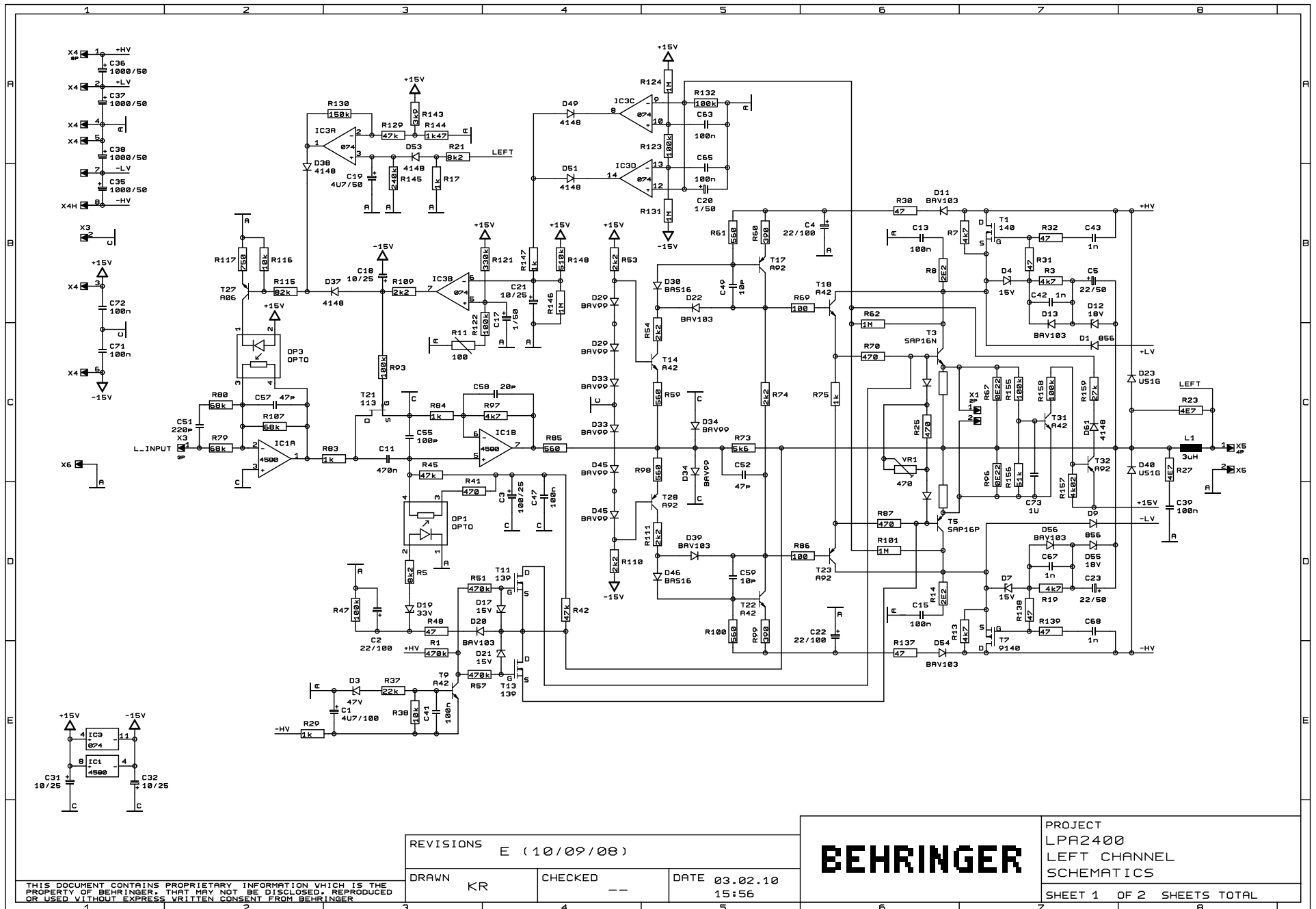
				DATE	NAME	PROJECT SMP5U18 PUS18 POWER	SHEET 1 of 1
			DRWN	2008-02-04	Evan		
			CHKD				
			APPR				
B	UPDATE BOARD	040310	LGC	BEHRINGER			
B	MODIFIED	100908	Evan				
A	CREATED	040208	Evan				
REV	CHANGES	DATE	INIT	FILE:	POWER		



THIS DOCUMENT CONTAINS PROPRIETARY INFORMATION WHICH IS THE PROPERTY OF BEHRINGER. THAT MAY NOT BE DISCLOSED, REPRODUCED OR USED WITHOUT EXPRESS WRITTEN CONSENT FROM BEHRINGER.

REVISIONS		
A (11/11/08)		
DRAWN	RC	CHECKED
DATE		16.10. 9
		13:47

BEHRINGER	PROJECT
	AC7 AC MAINS
SHEET 1 OF 1 SHEETS TOTAL	

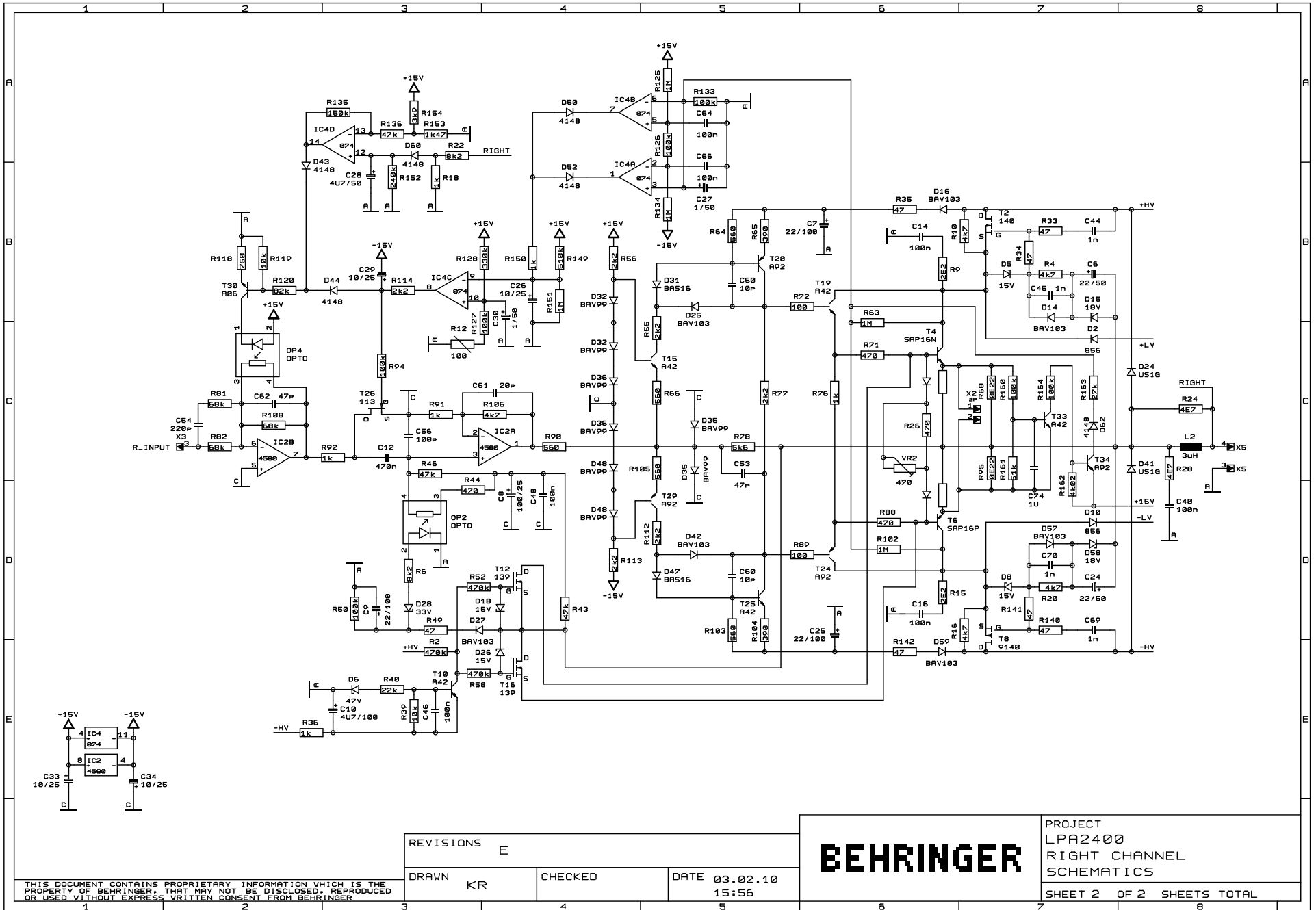


REVISIONS	E (10/09/08)		
DRAWN	KR	CHECKED	--
		DATE	03.02.10 15:56

BEHRINGER

PROJECT
LPA2400
LEFT CHANNEL
SCHEMATICS
SHEET 1 OF 2 SHEETS TOTAL

THIS DOCUMENT CONTAINS PROPRIETARY INFORMATION WHICH IS THE PROPERTY OF BEHRINGER. THAT MAY NOT BE DISCLOSED, REPRODUCED OR USED WITHOUT EXPRESS WRITTEN CONSENT FROM BEHRINGER.

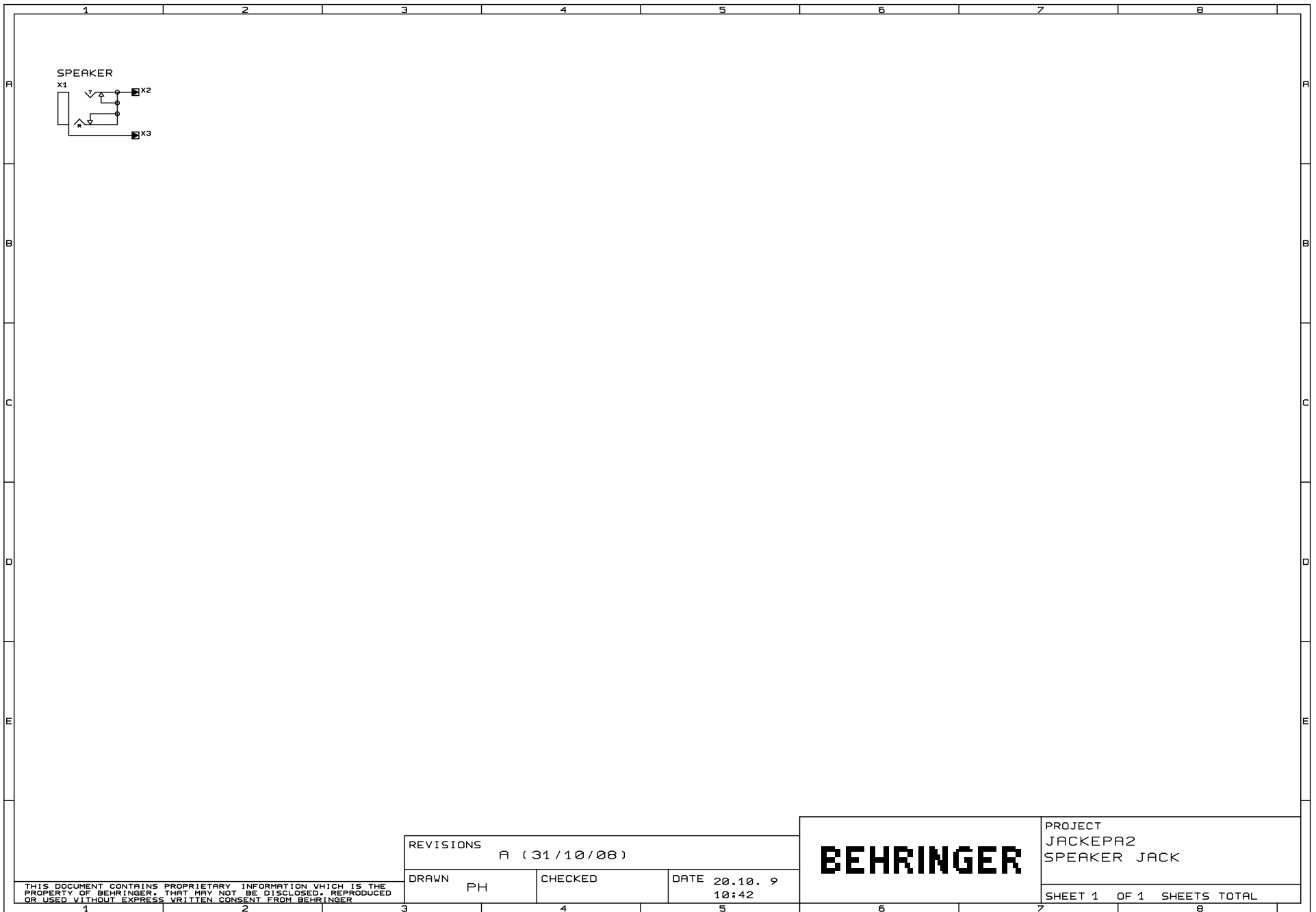


THIS DOCUMENT CONTAINS PROPRIETARY INFORMATION WHICH IS THE PROPERTY OF BEHRINGER+ THAT MAY NOT BE DISCLOSED, REPRODUCED OR USED WITHOUT EXPRESS WRITTEN CONSENT FROM BEHRINGER

REVISIONS	E		
DRAWN	KR	CHECKED	DATE 03.02.10 15:56

BEHRINGER

PROJECT
LPA2400
RIGHT CHANNEL
SCHEMATICS
SHEET 2 OF 2 SHEETS TOTAL

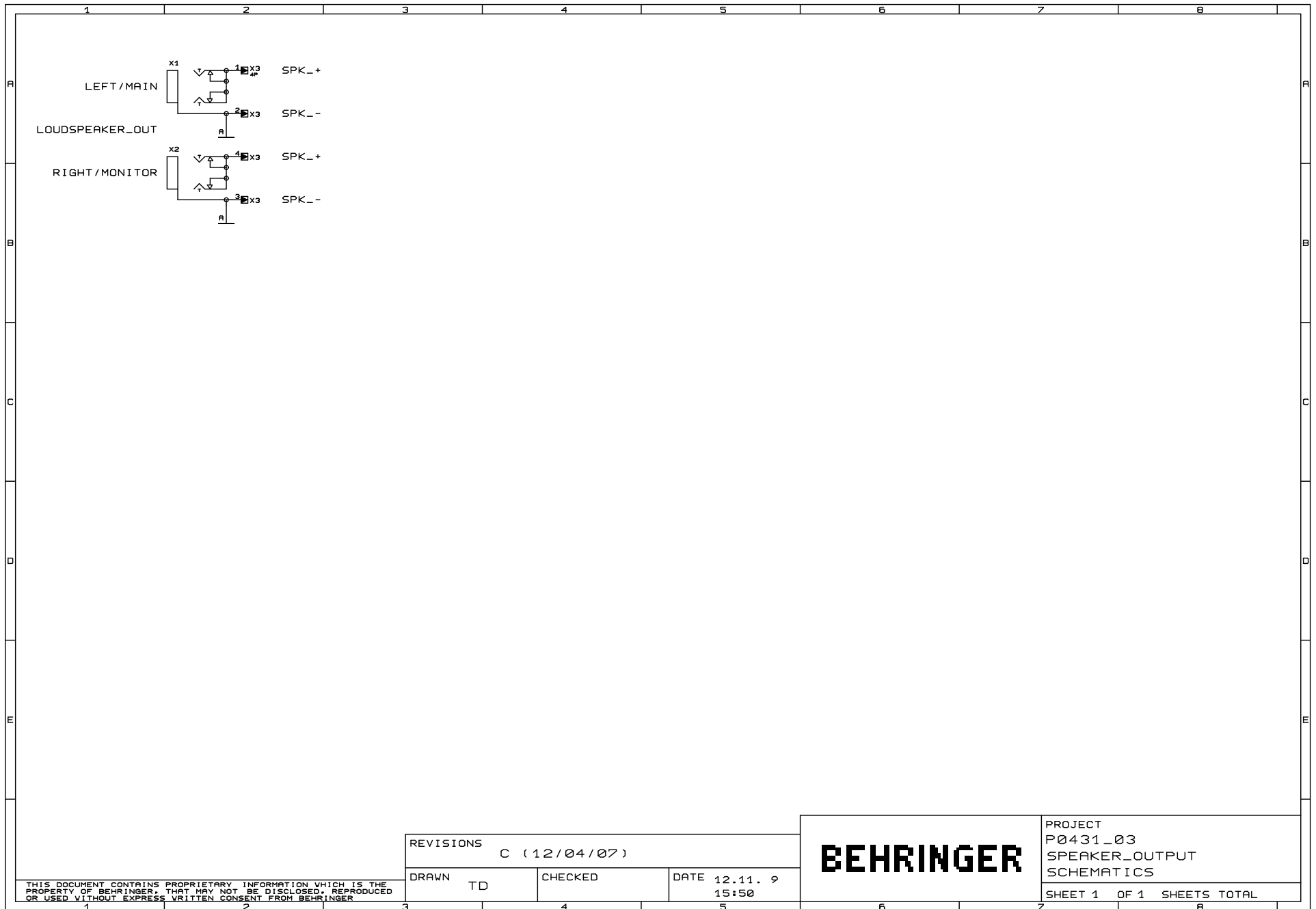


THIS DOCUMENT CONTAINS PROPRIETARY INFORMATION WHICH IS THE PROPERTY OF BEHRINGER. THAT MAY NOT BE DISCLOSED, REPRODUCED OR USED WITHOUT EXPRESS WRITTEN CONSENT FROM BEHRINGER.

REVISIONS		
A (31/10/08)		
DRAWN	CHECKED	DATE
PH		20.10. 9 10:42



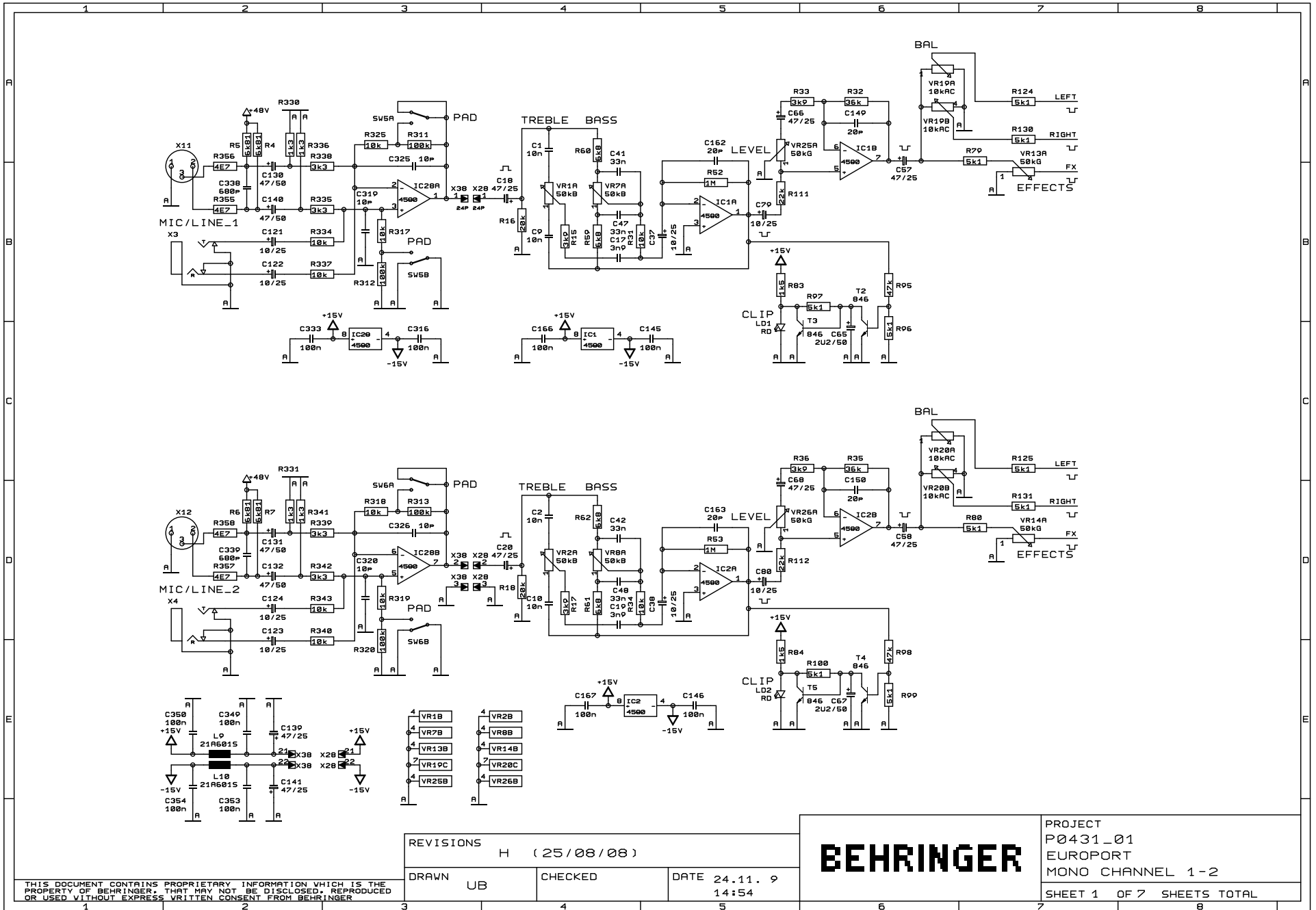
PROJECT
JACKEPA2
SPEAKER JACK
SHEET 1 OF 1 SHEETS TOTAL



REVISIONS		
C (12/04/07)		
DRAWN	CHECKED	DATE
TD		12.11. 9 15:50

BEHRINGER	PROJECT
	P0431_03
	SPEAKER_OUTPUT SCHEMATICS
SHEET 1 OF 1 SHEETS TOTAL	

THIS DOCUMENT CONTAINS PROPRIETARY INFORMATION WHICH IS THE PROPERTY OF BEHRINGER. THAT MAY NOT BE DISCLOSED, REPRODUCED OR USED WITHOUT EXPRESS WRITTEN CONSENT FROM BEHRINGER.

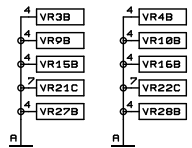
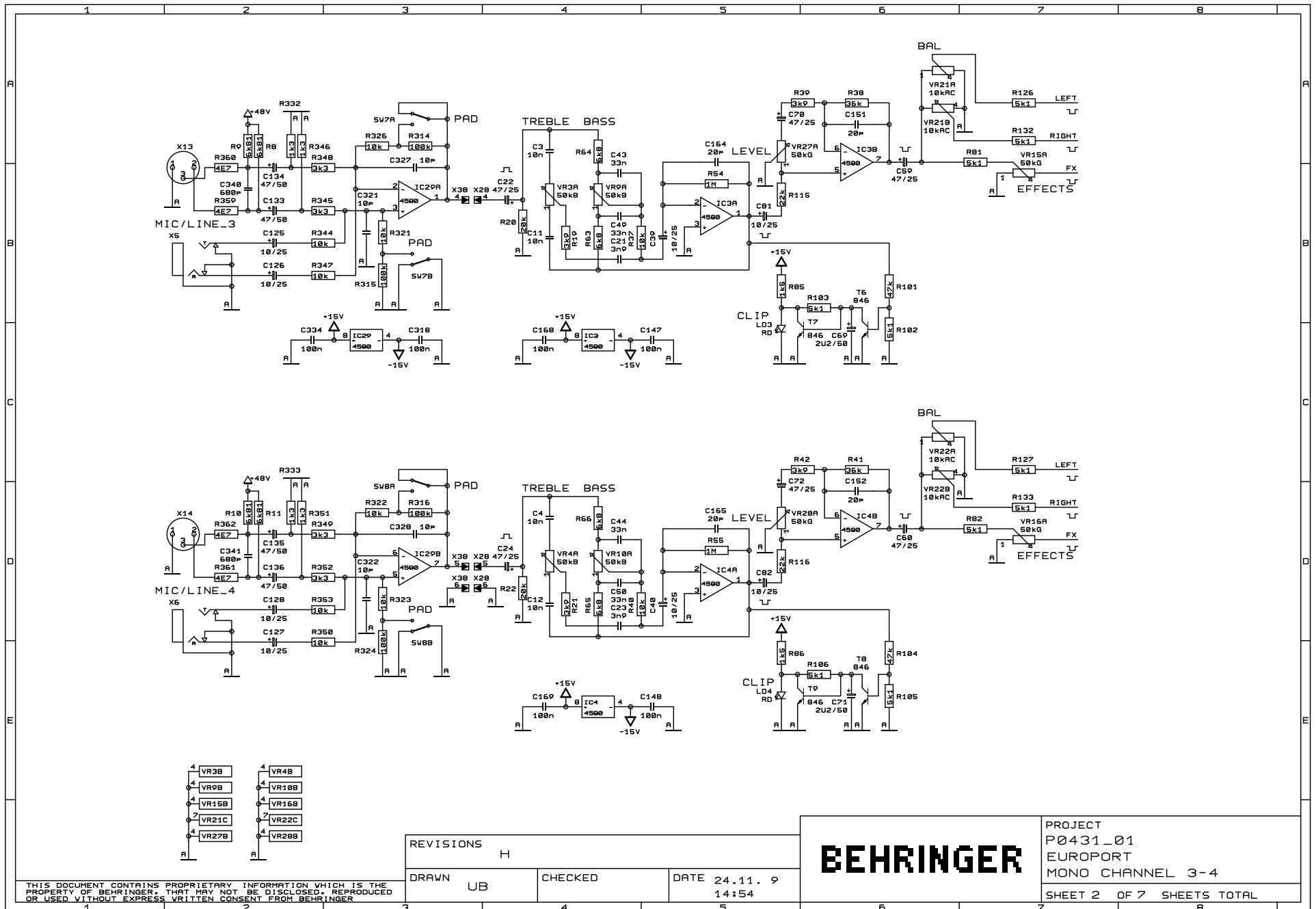


REVISIONS			H (25/08/08)	
DRAWN	UB	CHECKED	DATE 24.11. 9 14:54	

BEHRINGER

PROJECT P0431_01
EUROPORT MONO CHANNEL 1-2
SHEET 1 OF 7 SHEETS TOTAL

THIS DOCUMENT CONTAINS PROPRIETARY INFORMATION WHICH IS THE PROPERTY OF BEHRINGER. THAT MAY NOT BE DISCLOSED, REPRODUCED OR USED WITHOUT EXPRESS WRITTEN CONSENT FROM BEHRINGER.



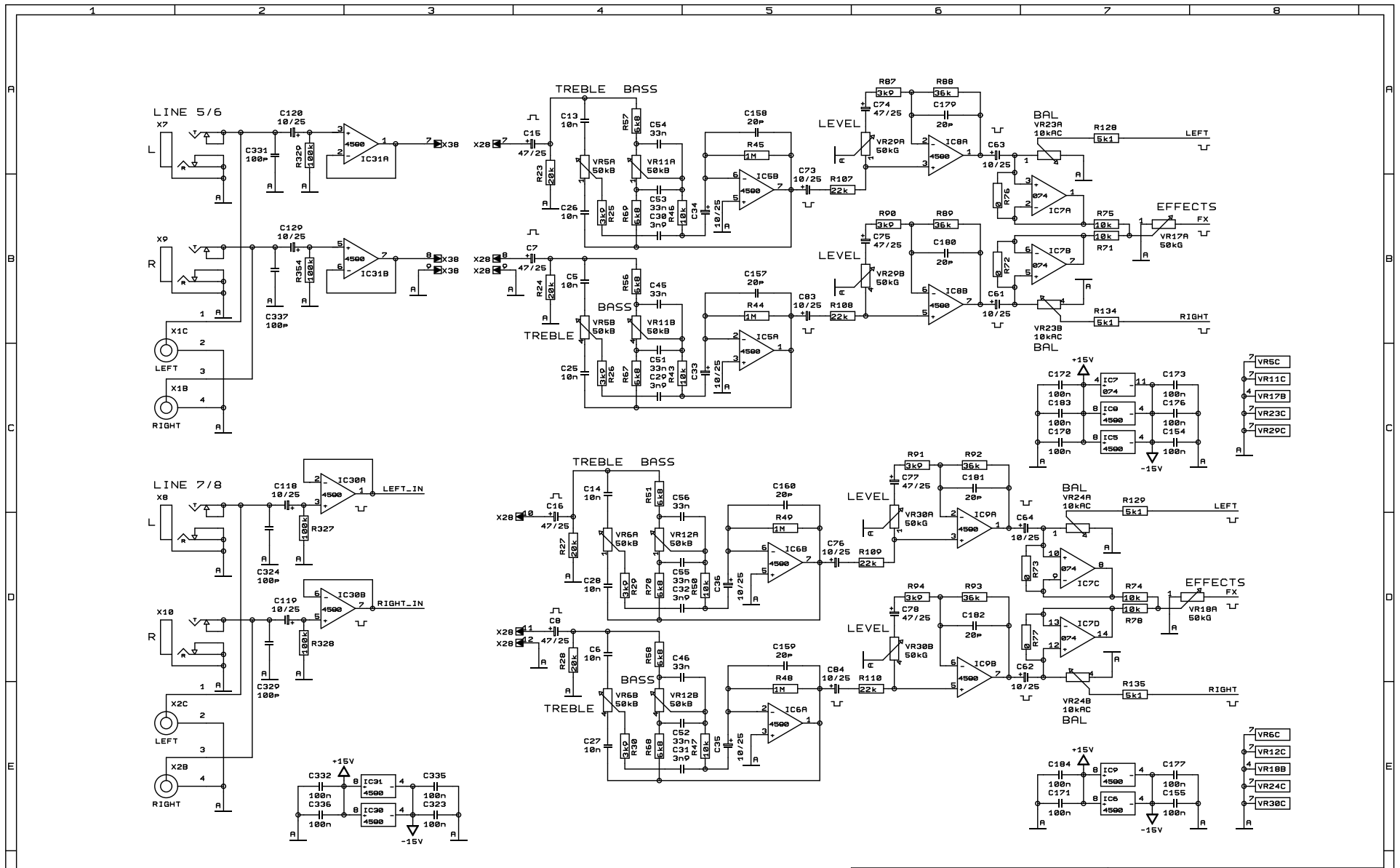
REVISIONS		
H		
DRAWN	CHECKED	DATE
UB		24.11. 9
		14:54

BEHRINGER

PROJECT P0431_01
 EUROPORT MONO CHANNEL 3-4

SHEET 2 OF 7 SHEETS TOTAL

THIS DOCUMENT CONTAINS PROPRIETARY INFORMATION WHICH IS THE PROPERTY OF BEHRINGER. THAT MAY NOT BE DISCLOSED, REPRODUCED OR USED WITHOUT EXPRESS WRITTEN CONSENT FROM BEHRINGER.

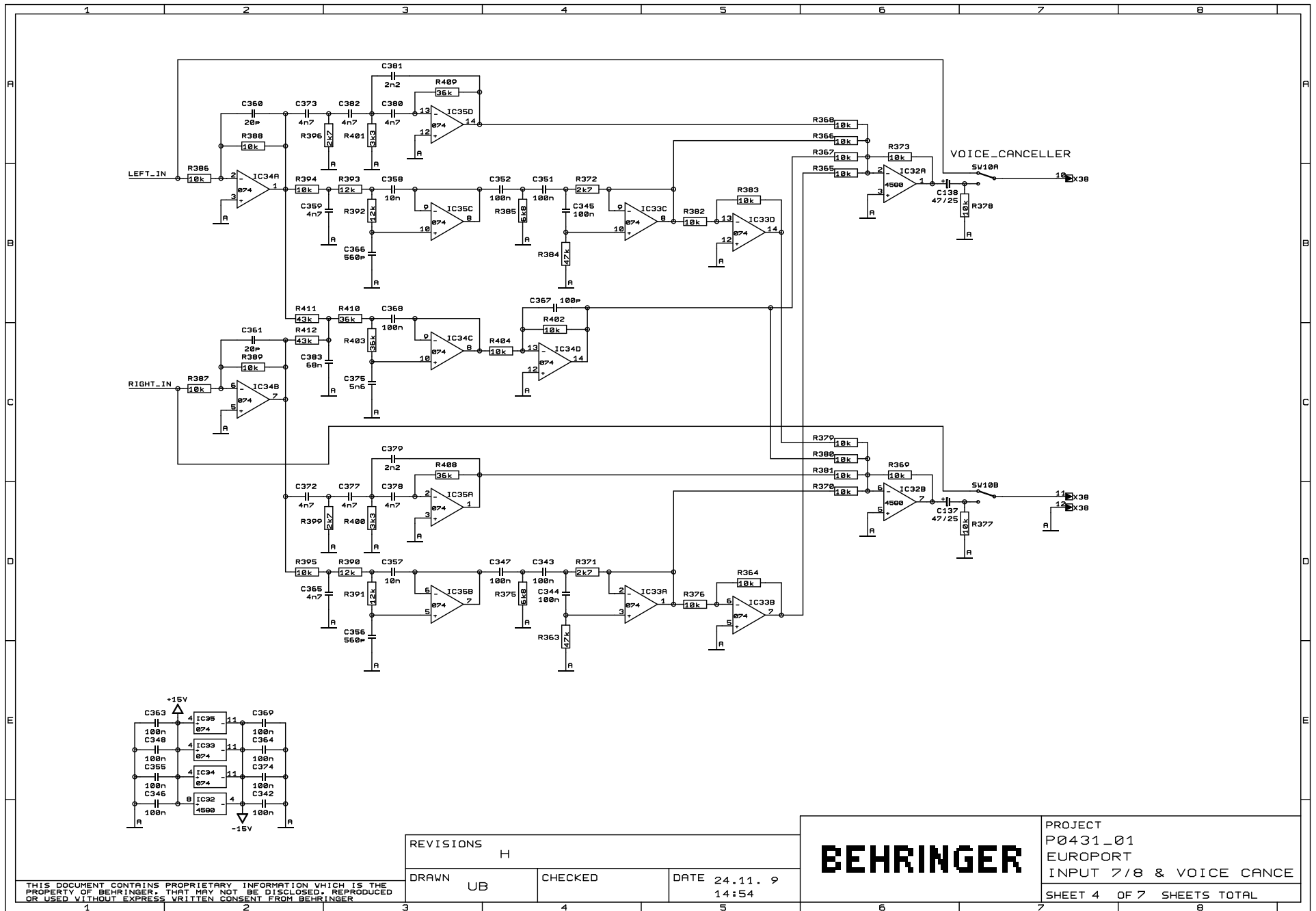


REVISIONS		H	
DRAWN	UB	CHECKED	DATE 24.11. 9 14:54

BEHRINGER

PROJECT P0431_01
EUROPORT STEREO CHANNEL 5/6-7/8
SHEET 3 OF 7 SHEETS TOTAL

THIS DOCUMENT CONTAINS PROPRIETARY INFORMATION WHICH IS THE PROPERTY OF BEHRINGER. THAT MAY NOT BE DISCLOSED, REPRODUCED OR USED WITHOUT EXPRESS WRITTEN CONSENT FROM BEHRINGER.



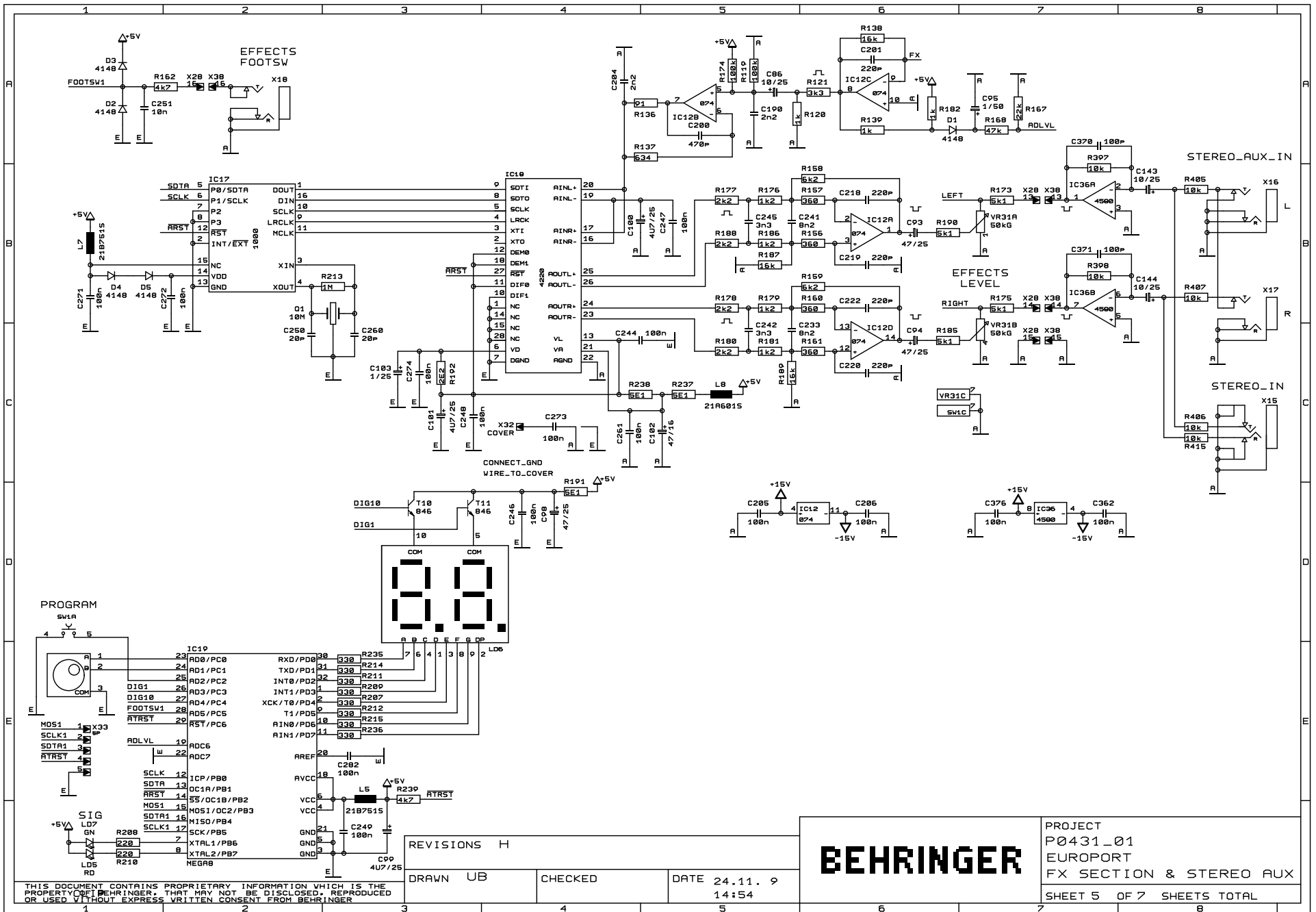
REVISIONS		H	
DRAWN	UB	CHECKED	DATE 24.11. 9 14:54

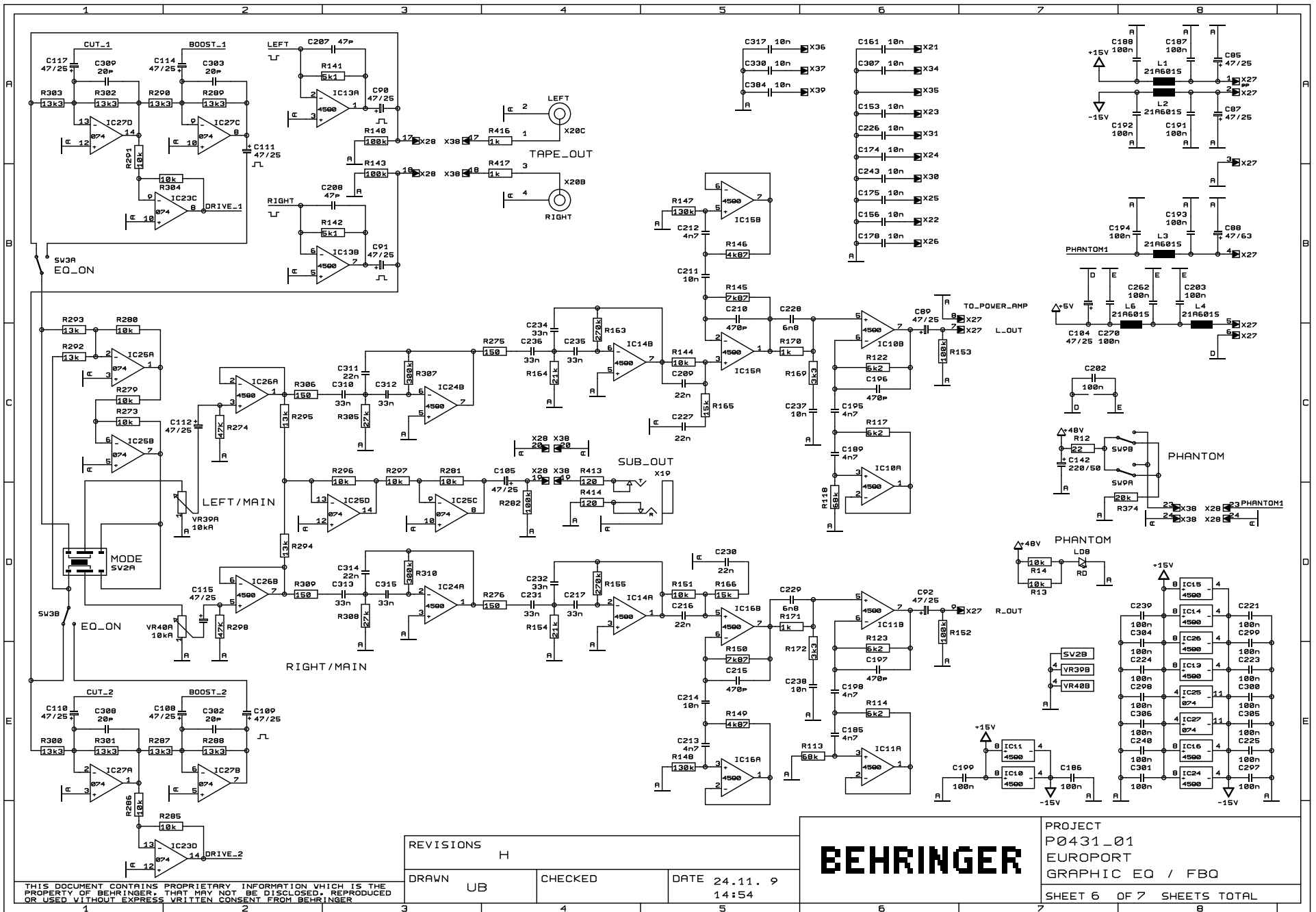
BEHRINGER

PROJECT
P0431_01
EUROPORT
INPUT 7/8 & VOICE CANCE

SHEET 4 OF 7 SHEETS TOTAL

THIS DOCUMENT CONTAINS PROPRIETARY INFORMATION WHICH IS THE PROPERTY OF BEHRINGER. THAT MAY NOT BE DISCLOSED, REPRODUCED OR USED WITHOUT EXPRESS WRITTEN CONSENT FROM BEHRINGER.



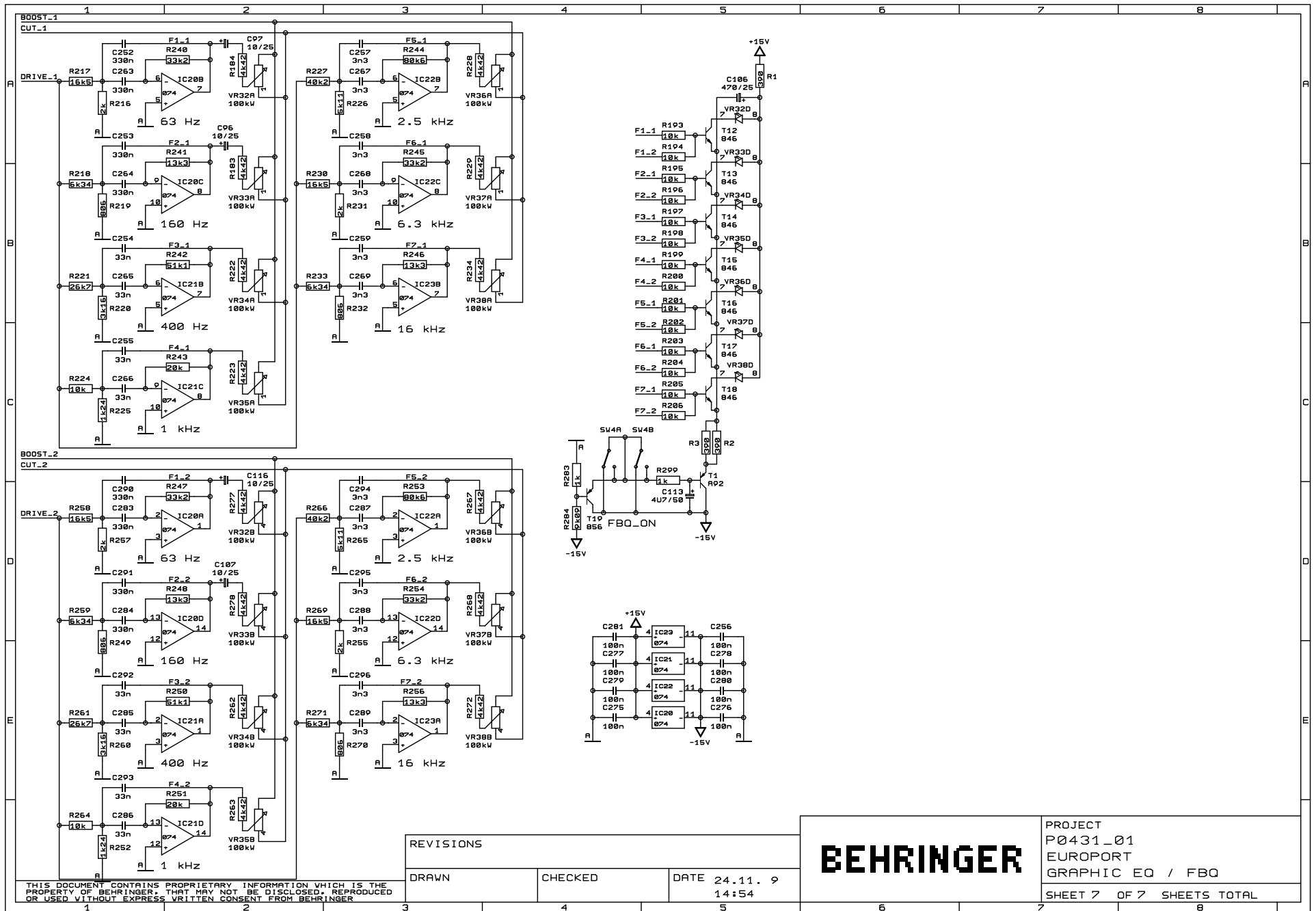


REVISIONS			
H			
DRAWN	UB	CHECKED	DATE 24.11. 9 14:54

BEHRINGER

PROJECT P0431_01
 EUROPORT GRAPHIC EQ / FBO
 SHEET 6 OF 7 SHEETS TOTAL

THIS DOCUMENT CONTAINS PROPRIETARY INFORMATION WHICH IS THE PROPERTY OF BEHRINGER. THAT MAY NOT BE DISCLOSED, REPRODUCED OR USED WITHOUT EXPRESS WRITTEN CONSENT FROM BEHRINGER.



REVISIONS

DRAWN	CHECKED	DATE 24.11. 9
		14:54

BEHRINGER

PROJECT P0431_01
 EUROPORT GRAPHIC EQ / FBO
 SHEET 7 OF 7 SHEETS TOTAL

THIS DOCUMENT CONTAINS PROPRIETARY INFORMATION WHICH IS THE PROPERTY OF BEHRINGER. THAT MAY NOT BE DISCLOSED, REPRODUCED OR USED WITHOUT EXPRESS WRITTEN CONSENT FROM BEHRINGER.