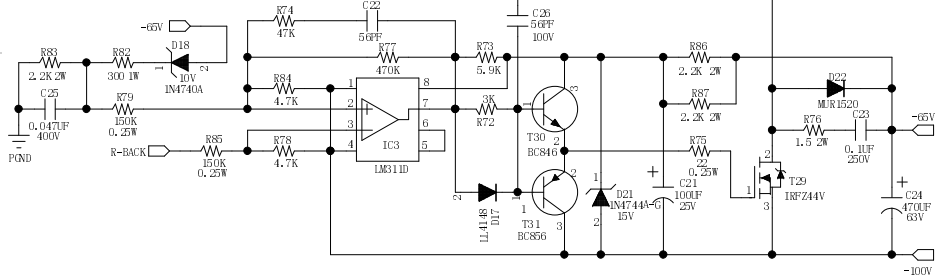
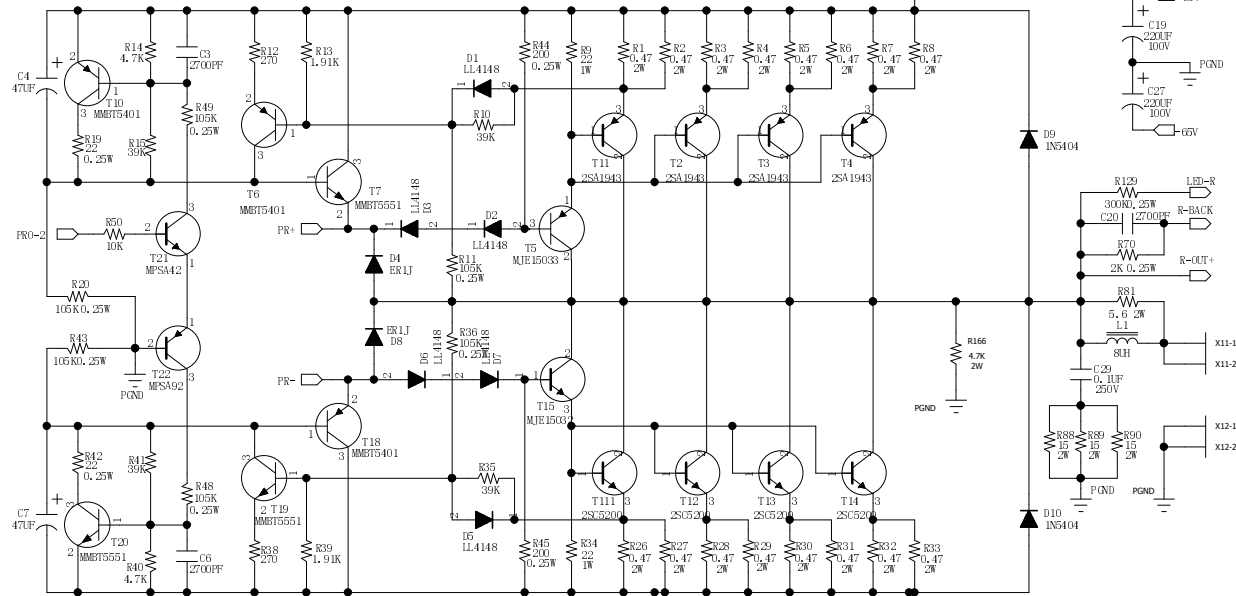
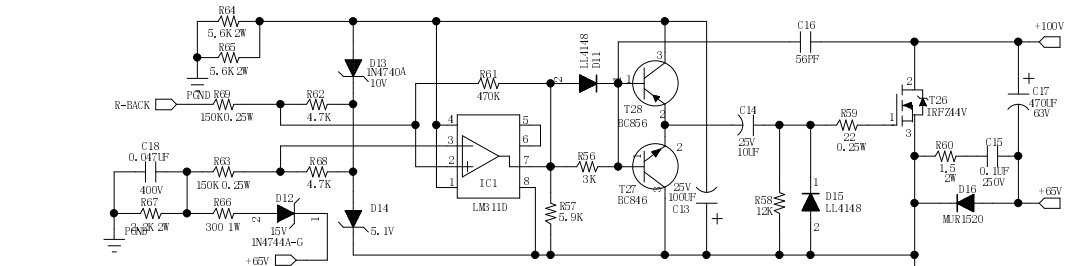
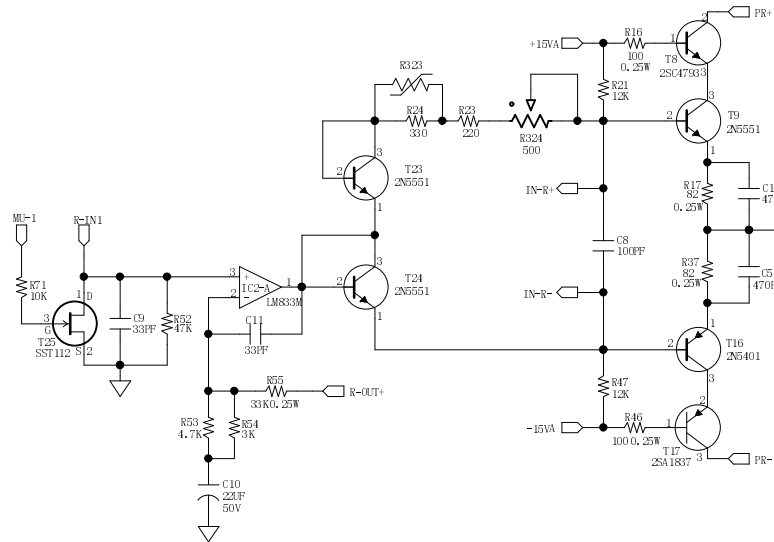
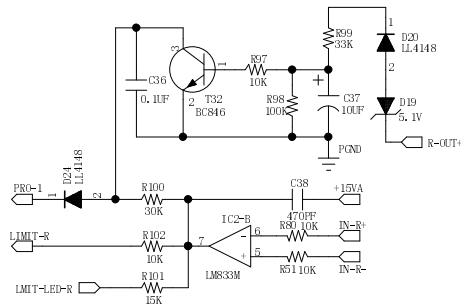
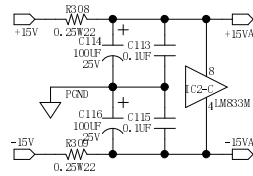
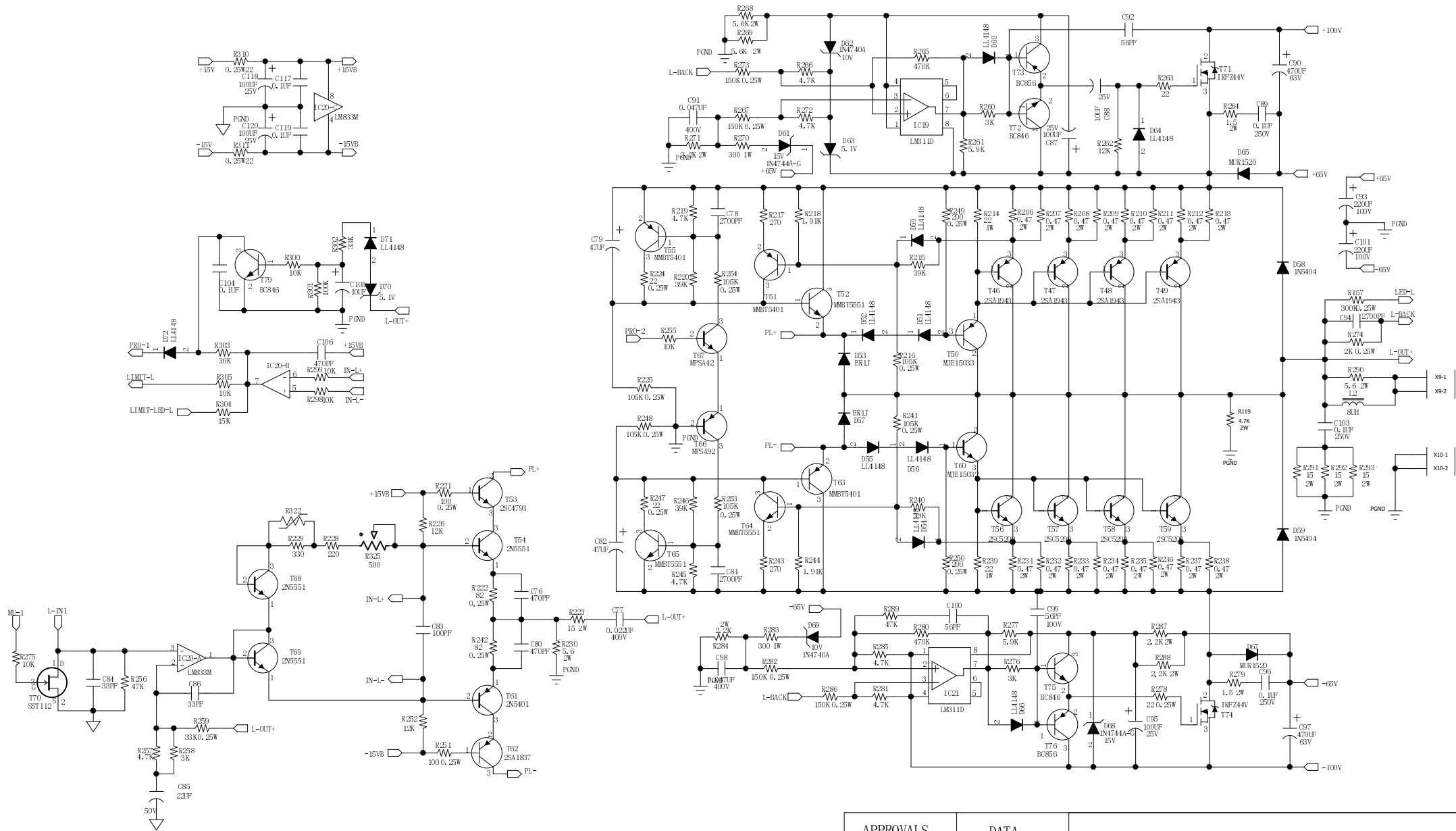


APPROVALS		DATA					
DRAWN:		2009-03-23					
CHECKED				EPX3000 AMP BOARD REVB			
NP ENG:							
MFG ENG				SIZE	SCALE:	DWG. NO.	REV:
ISSUED:				DWG FILE:		SHEET	2 OF 4



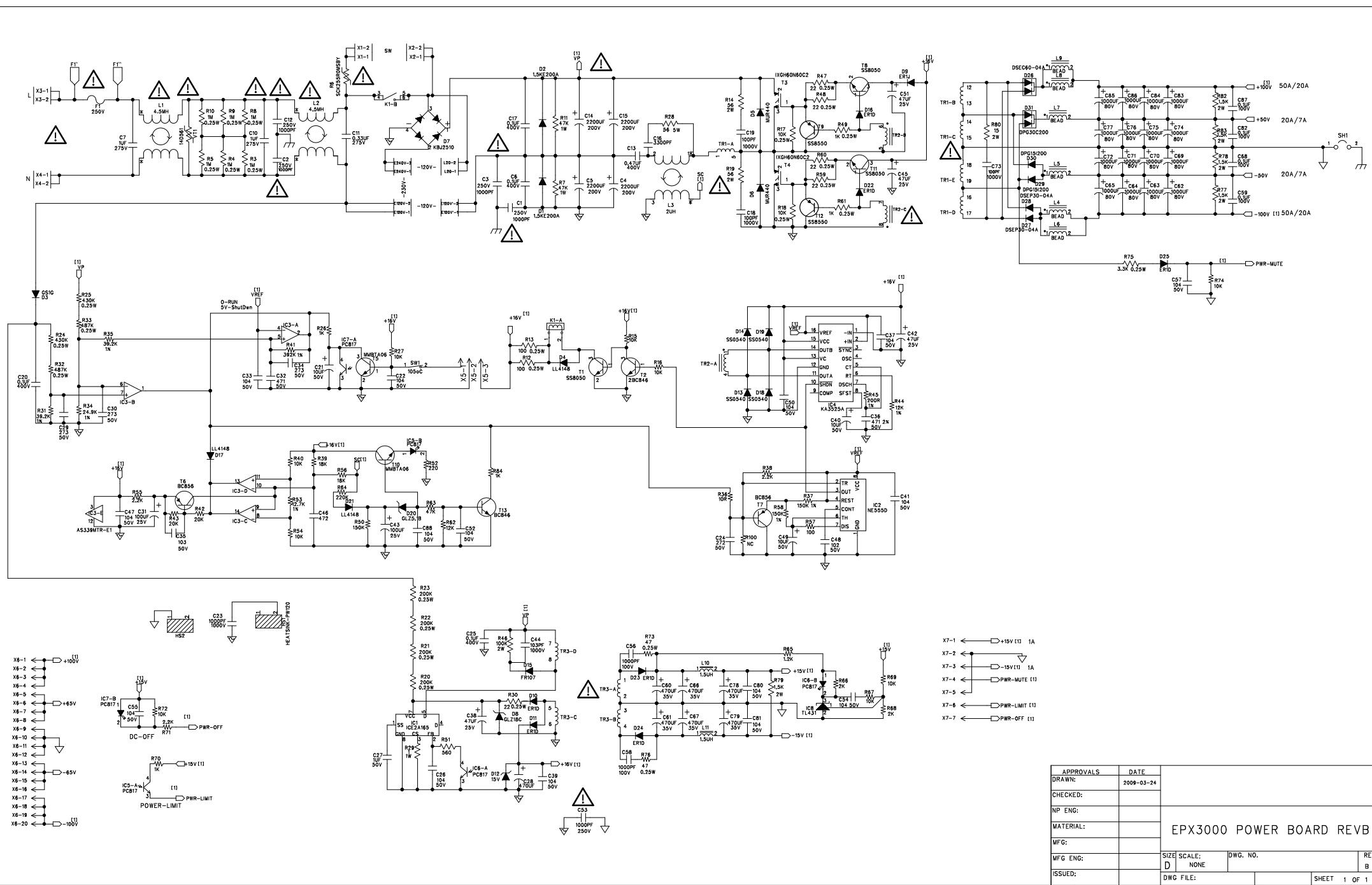
APPROVALS		DATA	
DRAWN:		2009-03-23	
CHECKED			
NP ENG:			
MFG ENG		SIZE D	SCALE:
ISSUED:		DWG FILE:	DWG. NO.
			REV: B
		SHEET	
		3 OF 4	

EPX3000 AMP BOARD REV B

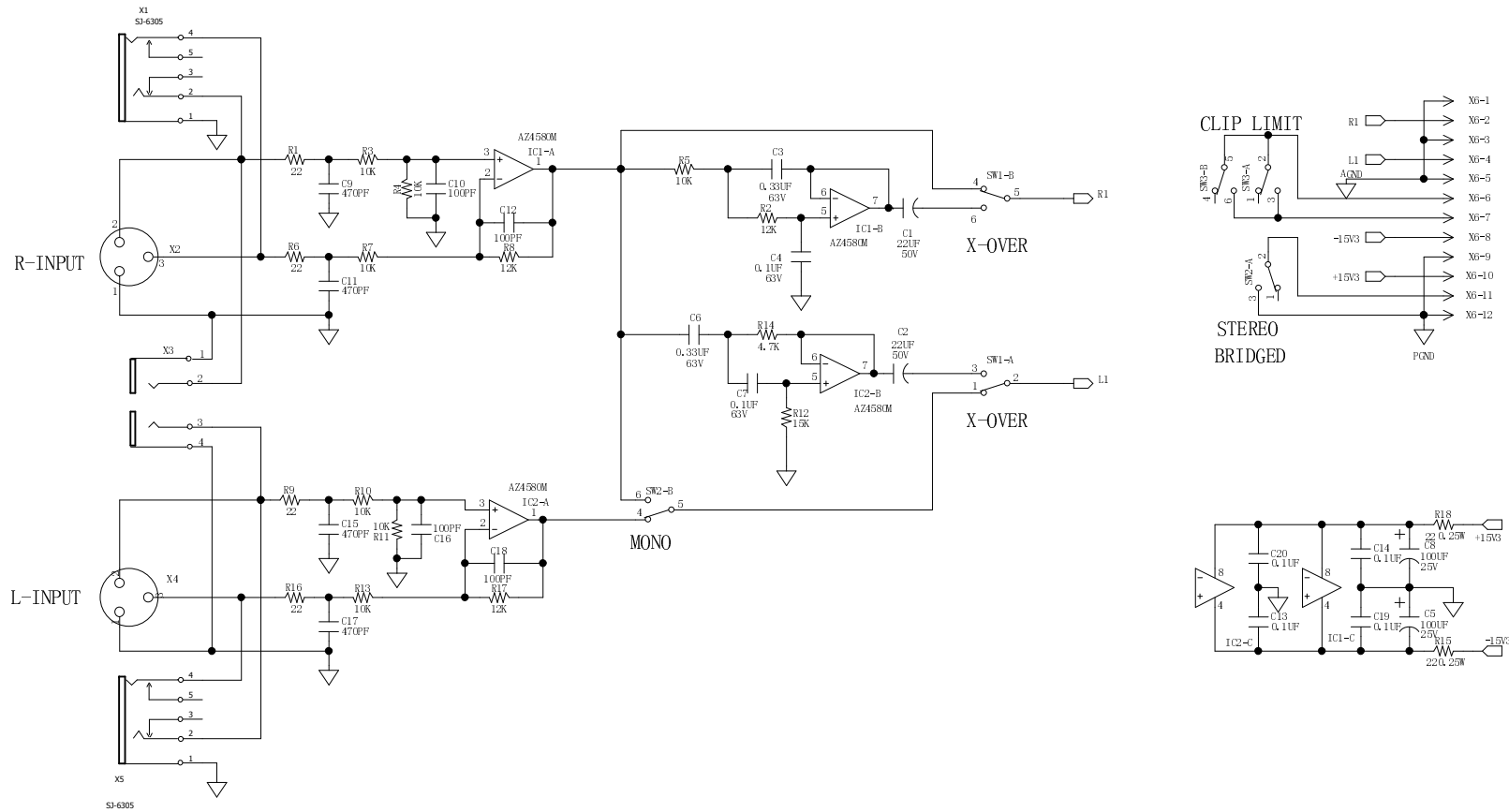


APPROVALS		DATA					
DRAWN:		2009-03-23					
CHECKED							
NP ENG:							
MFG ENG				SIZE	SCALE:	DWG. NO.	REV:
ISSUED:				D			B
DWG FILE:				SHEET		4 OF 4	

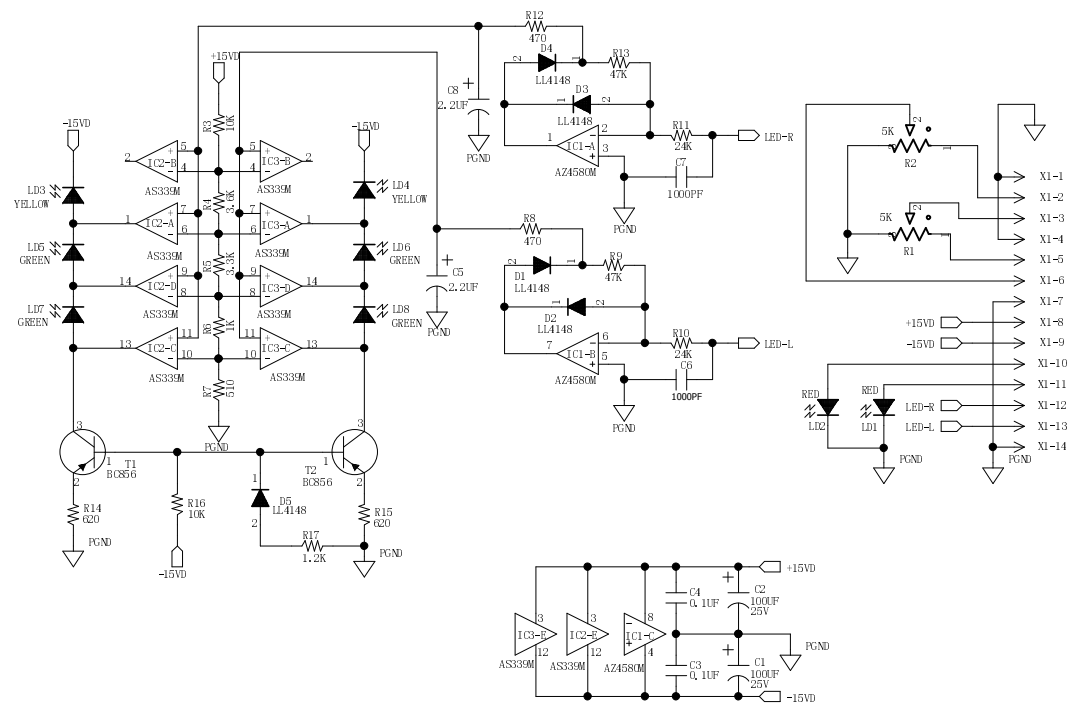
EPX3000 AMP BOARD REV B



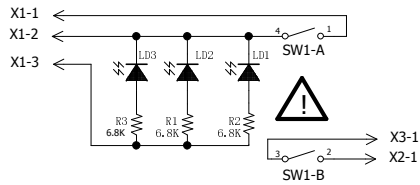
APPROVALS	DATE
DRAWN:	2009-03-24
CHECKED:	
NP ENG:	
MATERIAL:	EPX3000 POWER BOARD REV B
MFG:	
MFG ENG:	SIZE SCALE: DWG. NO. REV.
ISSUED:	DWG FILE: SHEET 1 OF 1



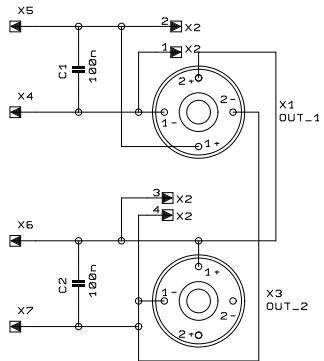
APPROVALS		DATA		SUPER WORD TECHNOLOGIES INC			
DRAWN:		2009-03-25		EPX3000 INPUT BOARD REV B			
CHECKED							
NP ENG:							
MFG ENG				SIZE	SCALE:	DWG. NO.	REV: B
ISSUED:				DWG FILE:		SHEET	1 OF 1



APPROVALS		DATA		SUPER WORD TECHNOLOGIES INC				
DRAWN:		2009-03-26		EPX3000 LED BOARD REVB				
CHECKED								
NP ENG:				SIZE D		SCALE:	DWG. NO.	REV: B
MFG ENG				DWG FILE:		SHEET		1 OF 1
ISSUED:								



APPROVALS	DATA	SUPER WORD TECHNOLOGIES INC			
DRAWN:	2009-03-27	EPX3000 SWITCH BOARD REVB			
CHECKED					
NP ENG:					
MFG ENG		SIZE D	SCALE:	DWG. NO.	REV: B
ISSUED:		DWG FILE:		SHEET	1 OF 1



REVISIONS		
B (28/03/09)		
DRAWN	CHECKED	DATE
ZYB		31.03. 9 14:49

BEHRINGER
 Specialized Studio Equipment

PROJECT		
P0A1Y		
OUTPUT		
SHEET 1	OF 1	SHEETS TOTAL