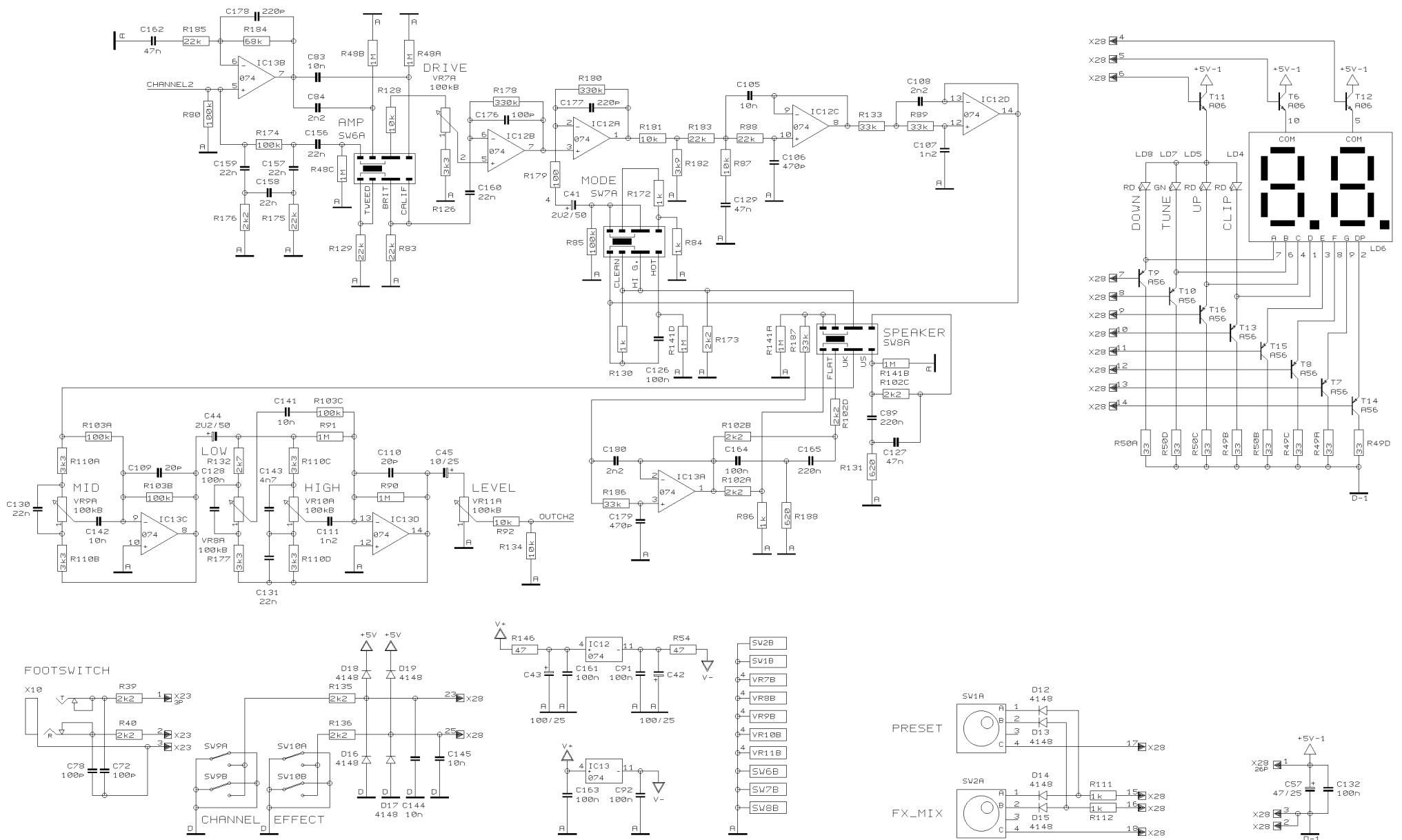


REVISIONS C (04/07/03)

DRAWN MD CHECKED DATE 10.08. 4 9:29



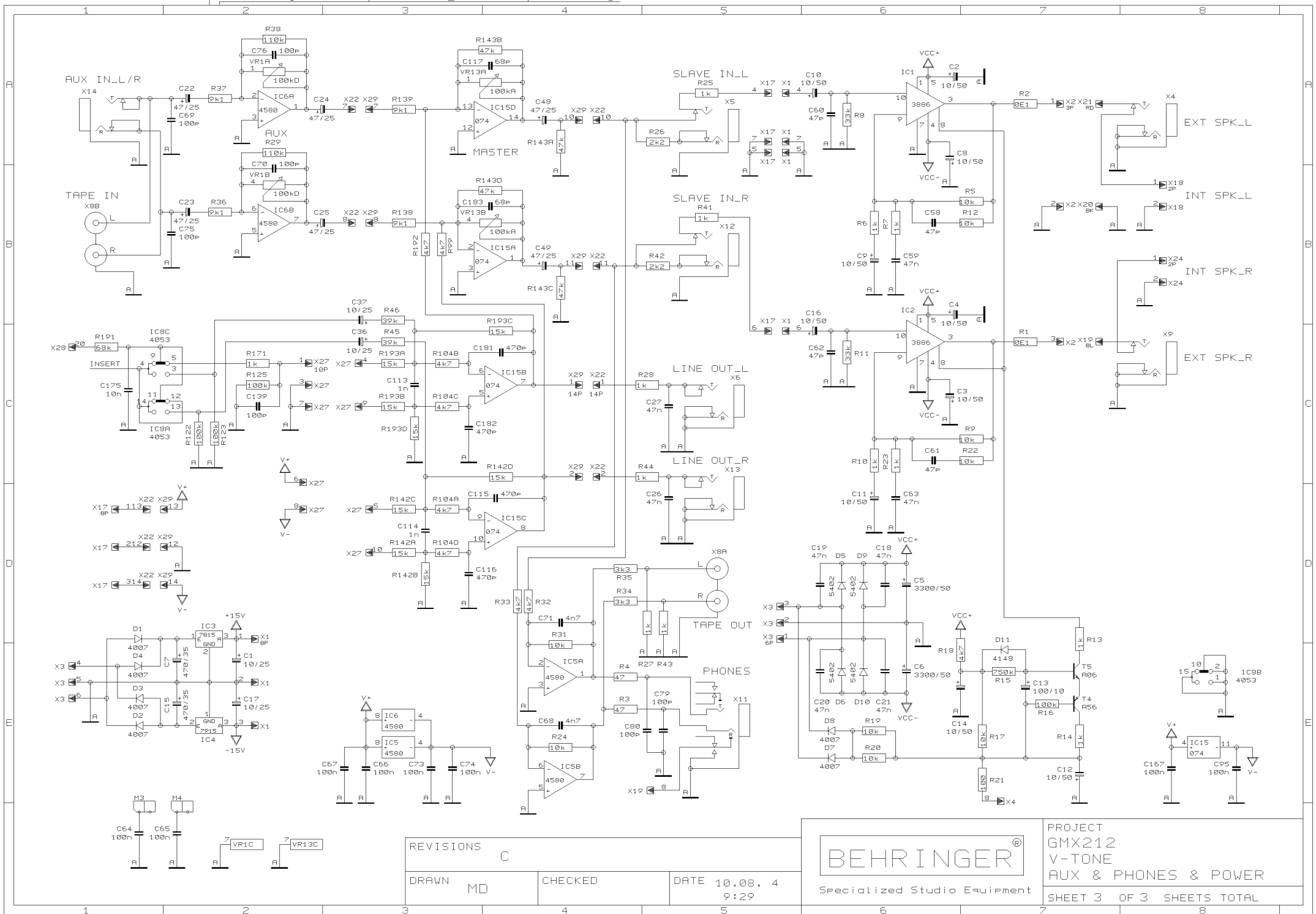
PROJECT GMX212 V-TONE INPUT/CHANNEL 1 SHEET 1 OF 3 SHEETS TOTAL



REVISIONS	C	
DRAWN	MD	CHECKED
DATE	10.08.4	9:29



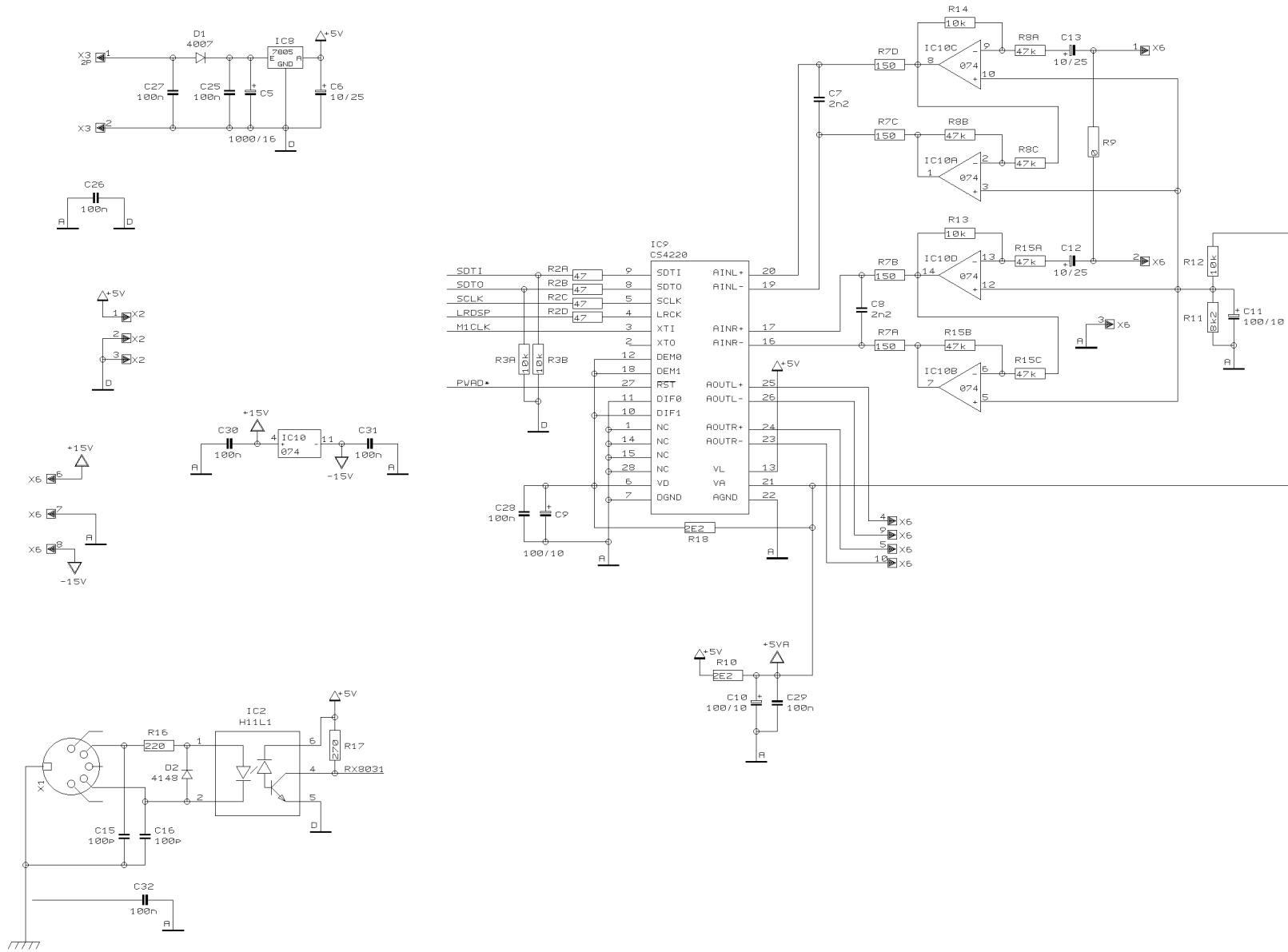
PROJECT
 GMX212
 V-TONE
 CHANNEL 2
 SHEET 2 OF 3 SHEETS TOTAL



REVISIONS	C	
DRAWN	MD	CHECKED
DATE 10.08.4		9:29



PROJECT
 GMX212
 V-TONE
 AUX & PHONES & POWER
 SHEET 3 OF 3 SHEETS TOTAL



REVISIONS
G (07/07/03)

DRAWN
SP

CHECKED

DATE 20.01. 4
15:42



PROJECT
DPM4
FX MODULE
I/O SECTION

SHEET 1 OF 2 SHEETS TOTAL

