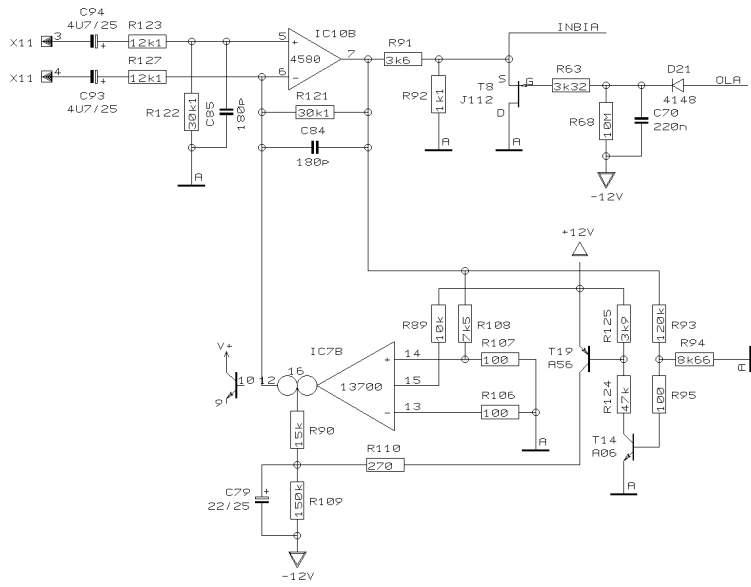
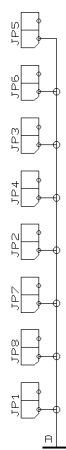
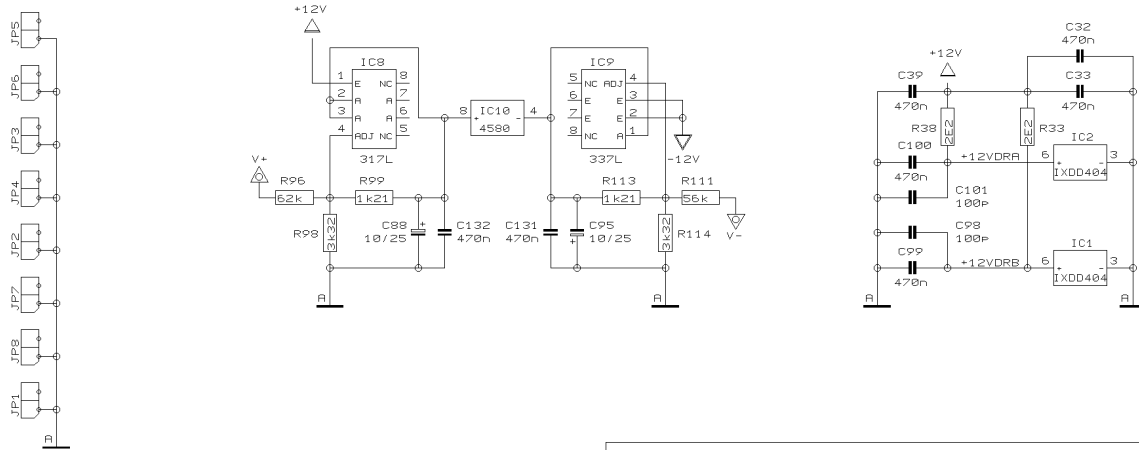
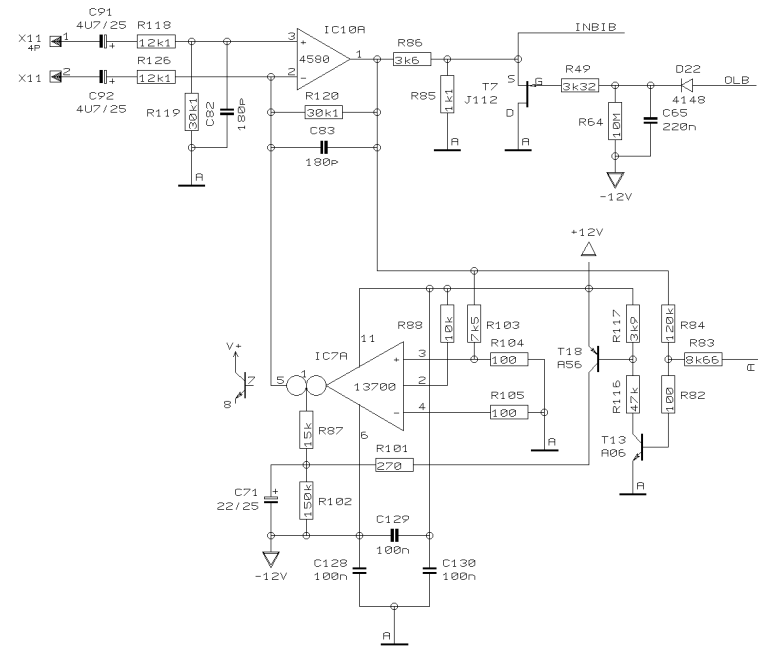


INPUT A



INPUT B

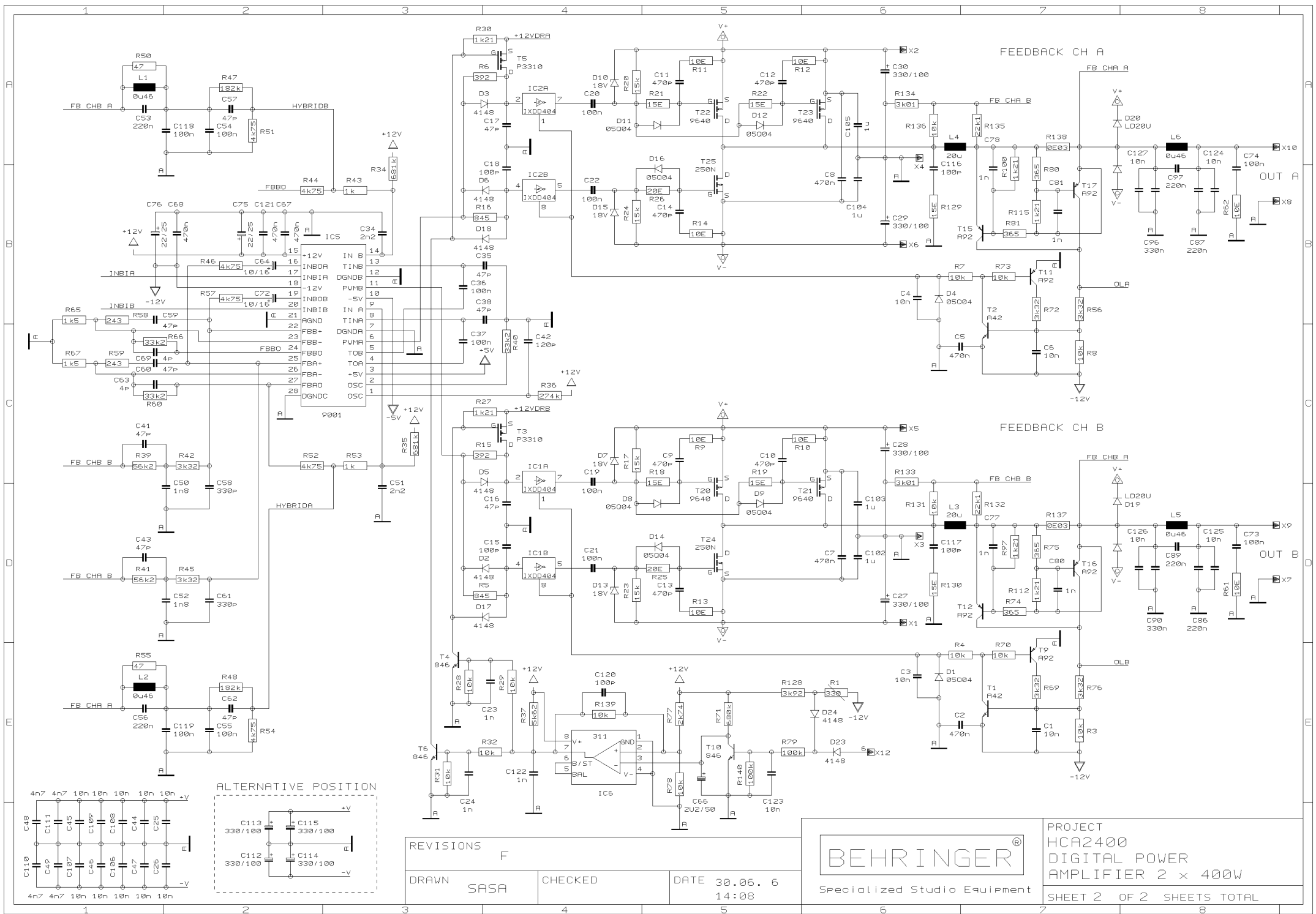


REVISIONS F (08/05/06)

DRAWN SASA CHECKED DATE 30.06. 6 14:08



PROJECT HCA2400  
DIGITAL POWER AMPLIFIER 2 x 400W  
SHEET 1 OF 2 SHEETS TOTAL



REVISIONS  
F

DRAWN  
SASA

CHECKED

DATE 30.06. 6  
14:08



PROJECT  
HCA2400  
DIGITAL POWER  
AMPLIFIER 2 x 400W  
SHEET 2 OF 2 SHEETS TOTAL