

REVISIONS D (25/10/05)

DRAWN FB

CHECKED

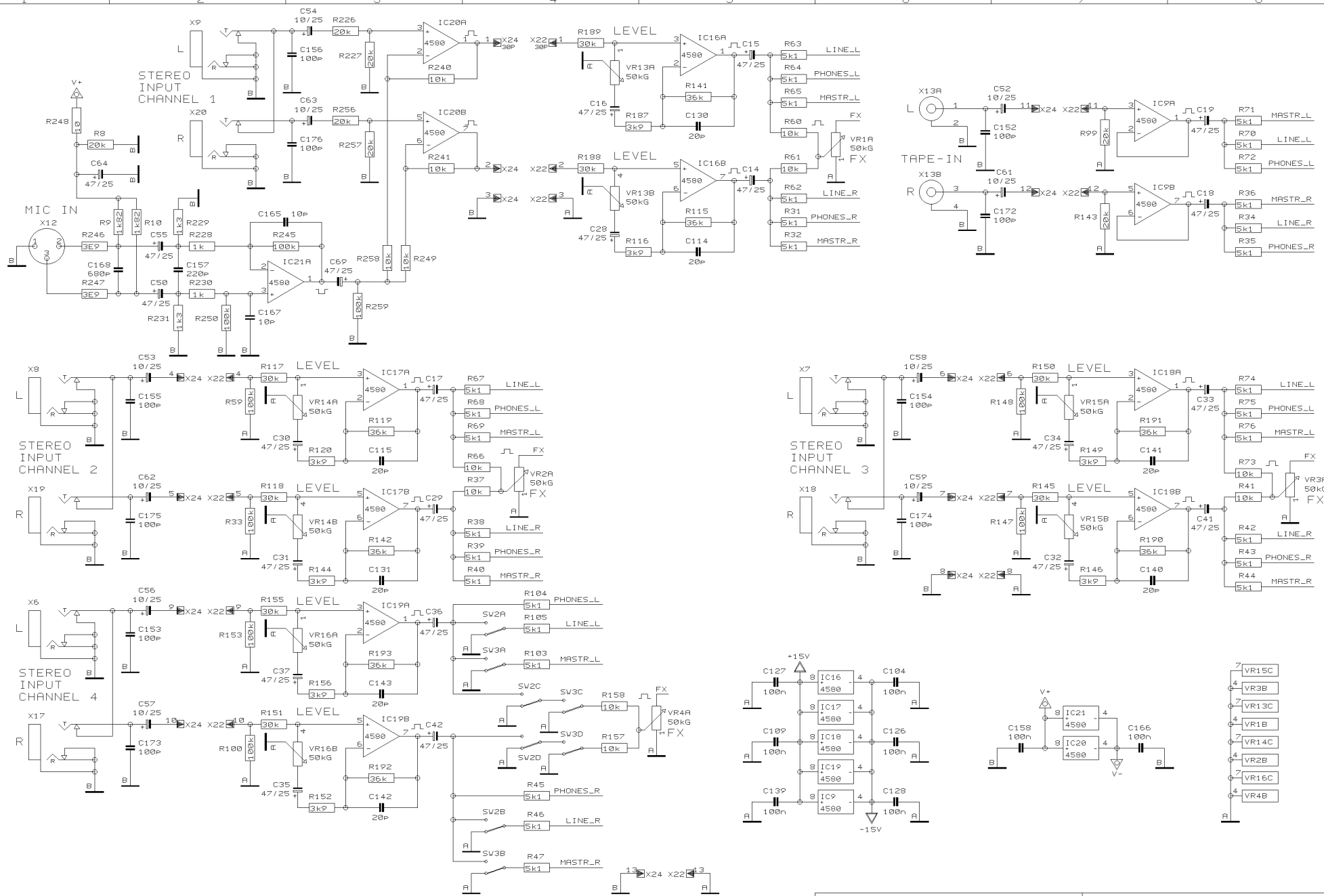
DATE 06.03. 6
12:20

BEHRINGER®

Specialized Studio Equipment

PROJECT K3000FX/K1800FX
ULTRATONE
FX PROCESSOR

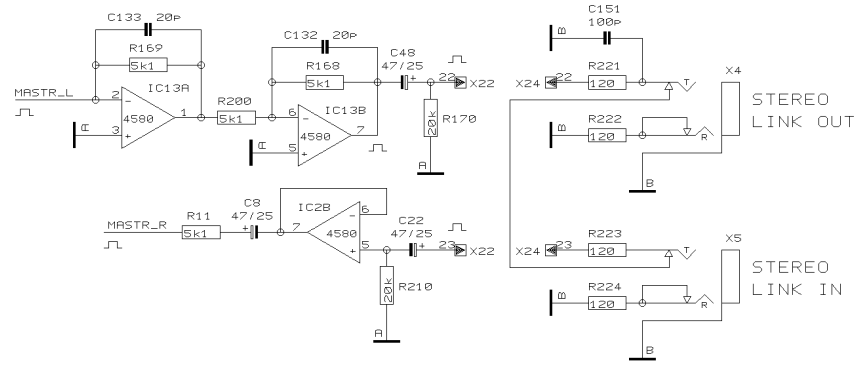
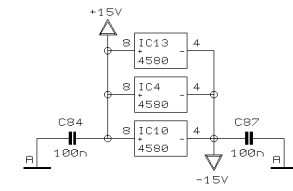
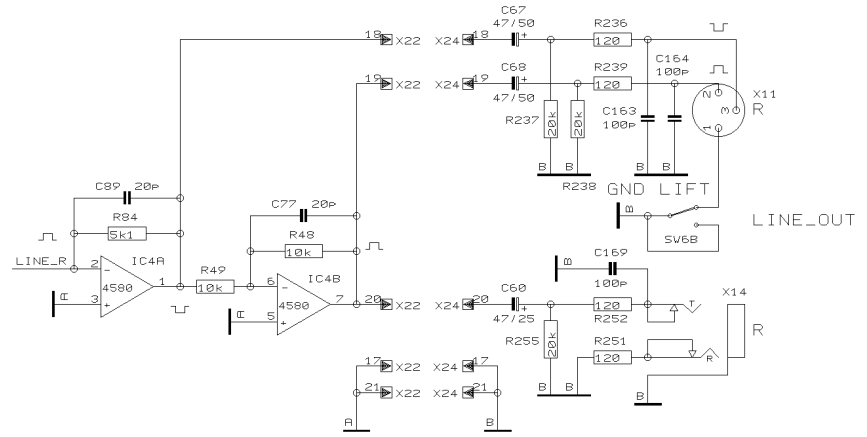
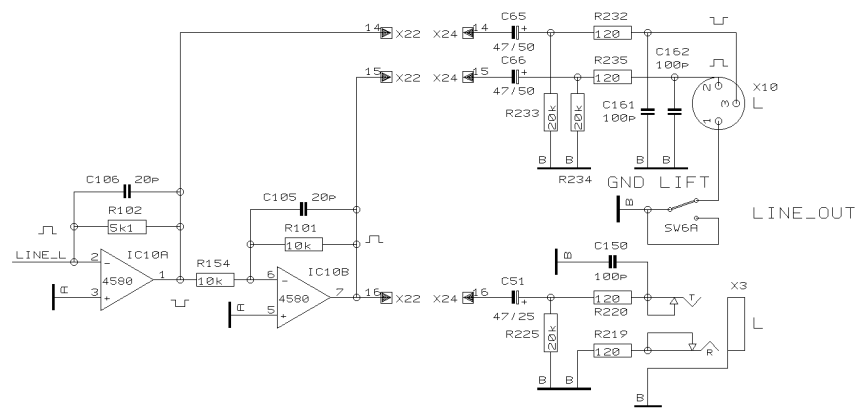
SHEET 1 OF 4 SHEETS TOTAL



REVISIONS		D	
DRAWN	FB	CHECKED	
DATE		06.03. 6 12:20	


 Specialized Studio Equipment

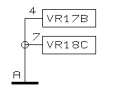
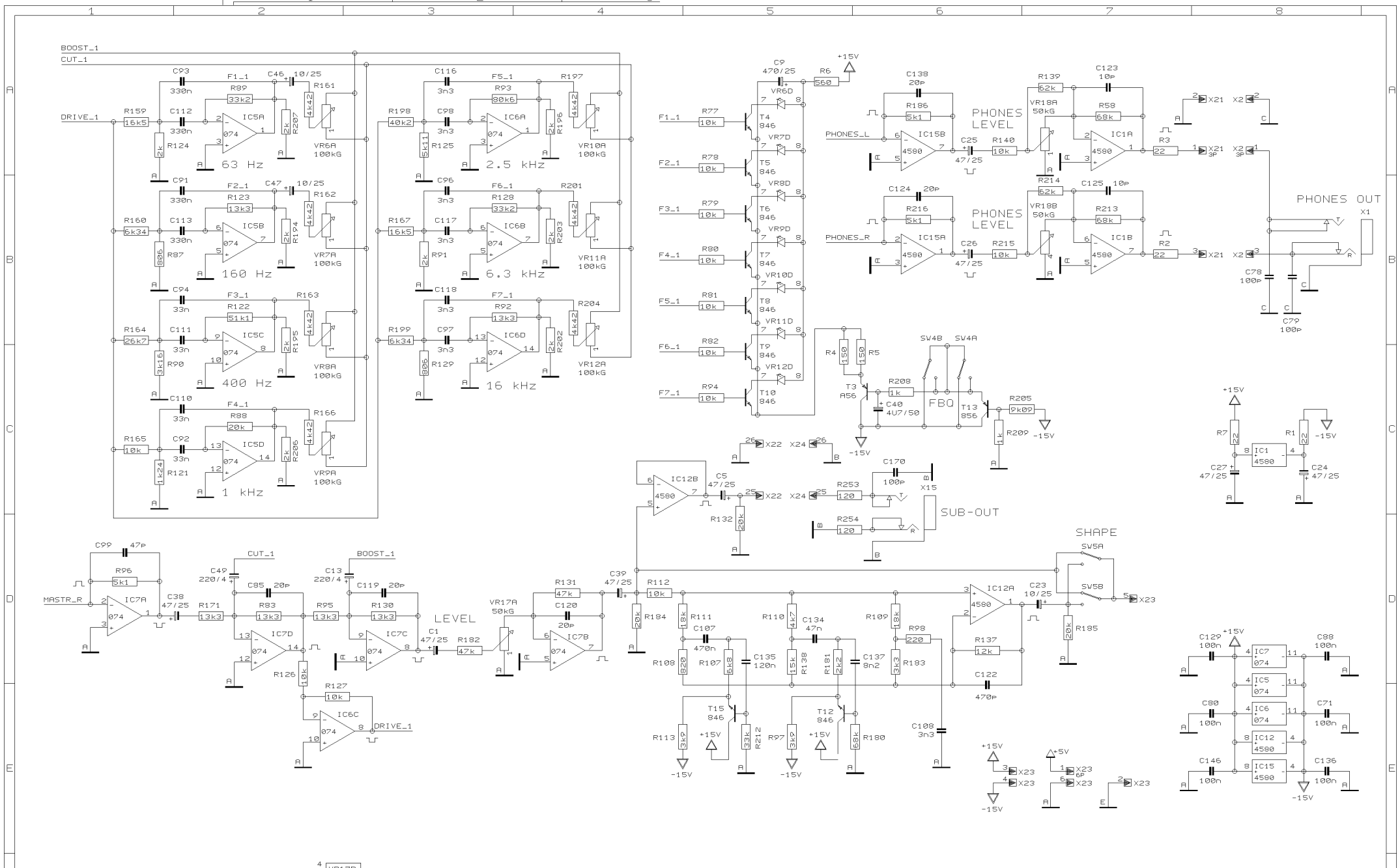
PROJECT
 K3000FX/K1800FX
 ULTRATONE
 INPUTS
 SHEET 2 OF 4 SHEETS TOTAL



REVISIONS		D	
DRAWN	FB	CHECKED	DATE 06.03. 6 12:20



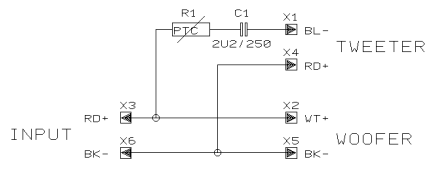
PROJECT
K3000FX/K1800FX
ULTRATONE
OUTPUTS
SHEET 3 OF 4 SHEETS TOTAL



REVISIONS		D
DRAWN	FB	CHECKED
DATE		06.03. 6
		12:20



PROJECT
K3000FX/K1800FX
ULTRATONE
GRAPHIC EQ / FBO
SHEET 4 OF 4 SHEETS TOTAL



REVISIONS A (08/08/05)

DRAWN RI

CHECKED

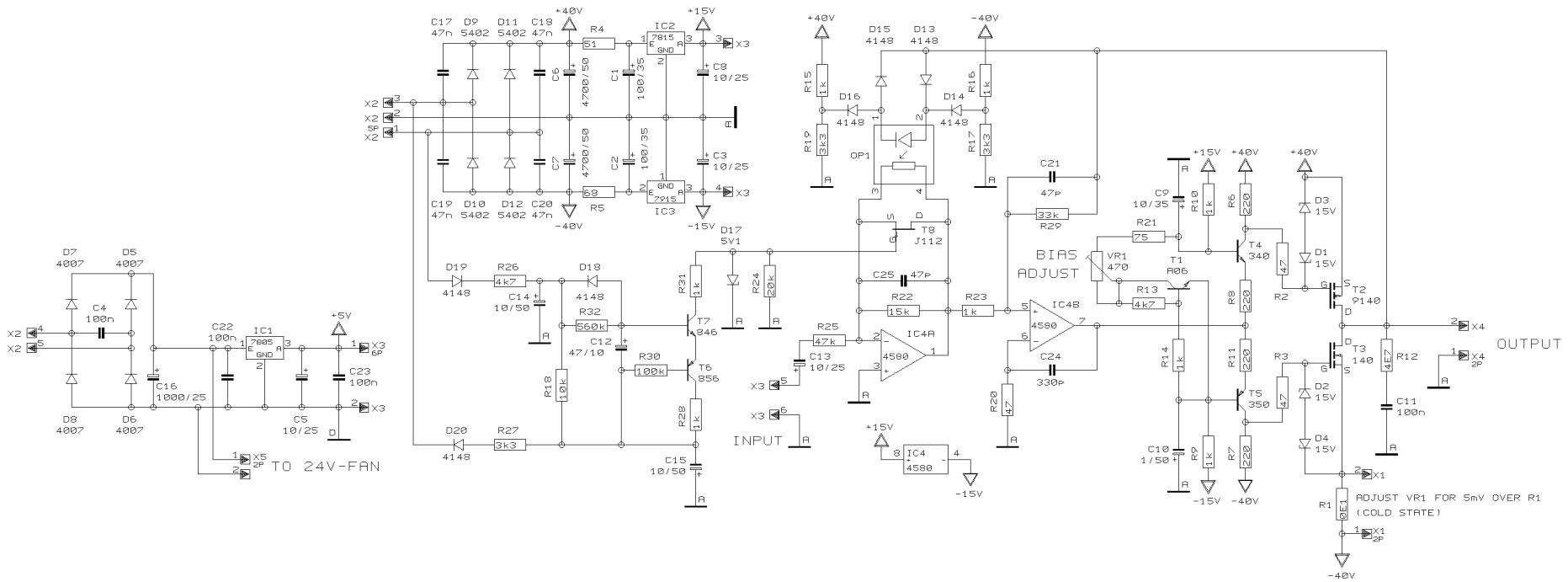
DATE 06.03. 6
12:23

BEHRINGER®

Specialized Studio Equipment

PROJECT
K3000XOV
CROSSOVER
SCHEMATICS

SHEET 1 OF 1 SHEETS TOTAL



REVISIONS F (30/07/05)

DRAWN SA

CHECKED

DATE 08.03. 6
16:55

BEHRINGER[®]
Specialized Studio Equipment

PROJECT
LPA1180
180W POWER AMP
SCHEMATICS

SHEET 1 OF 1 SHEETS TOTAL