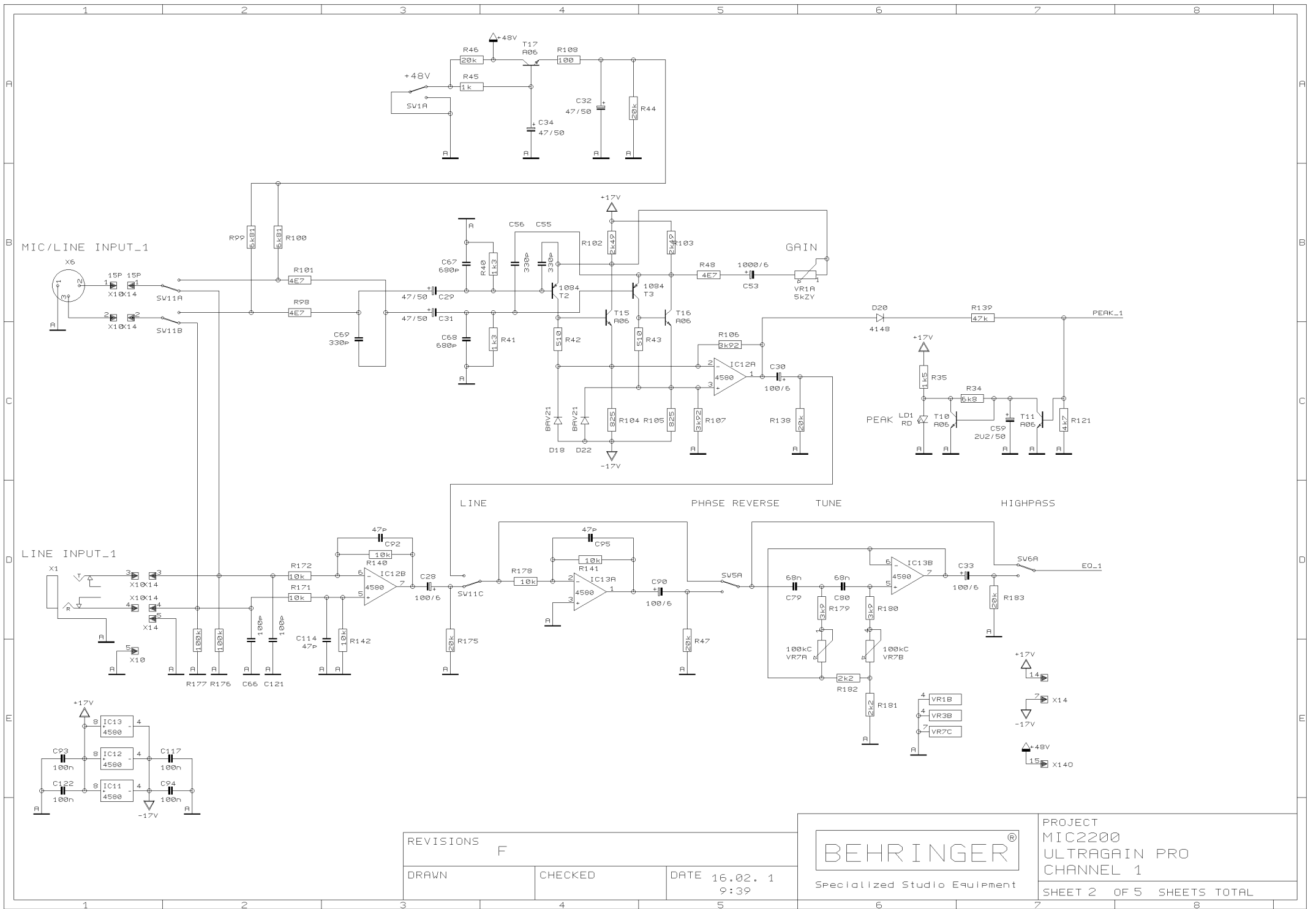


REVISIONS		
F		
DRAWN	CHECKED	DATE 16.02. 19:39

BEHRINGER[®]
Specialized Studio Equipment

PROJECT
MIC2200
ULTRAGAIN PRO
TUBE/OUTPUT SECTION
SHEET 1 OF 5 SHEETS TOTAL



REVISIONS

F

DRAWN

CHECKED

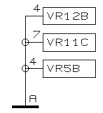
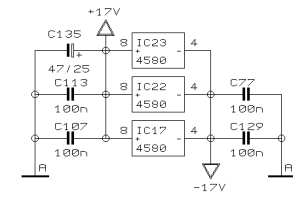
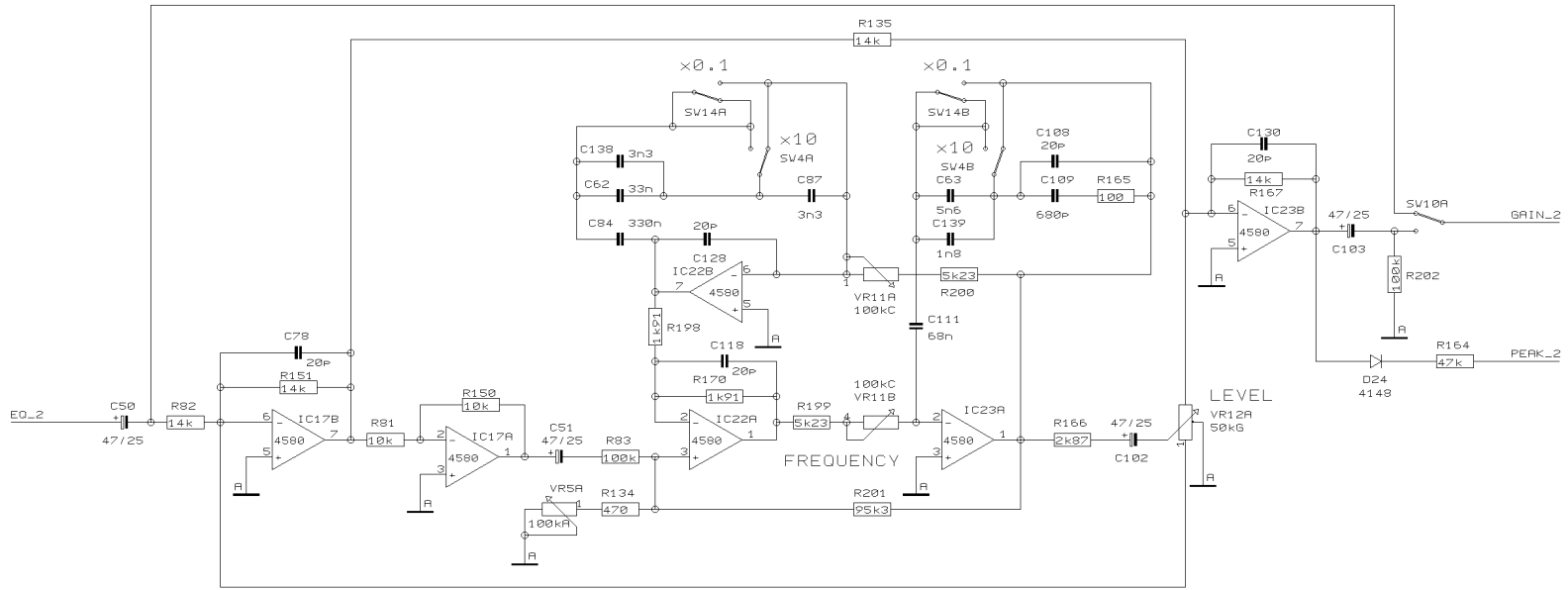
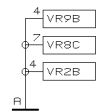
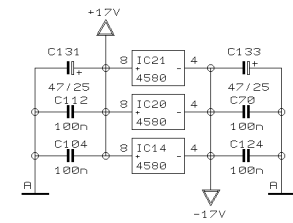
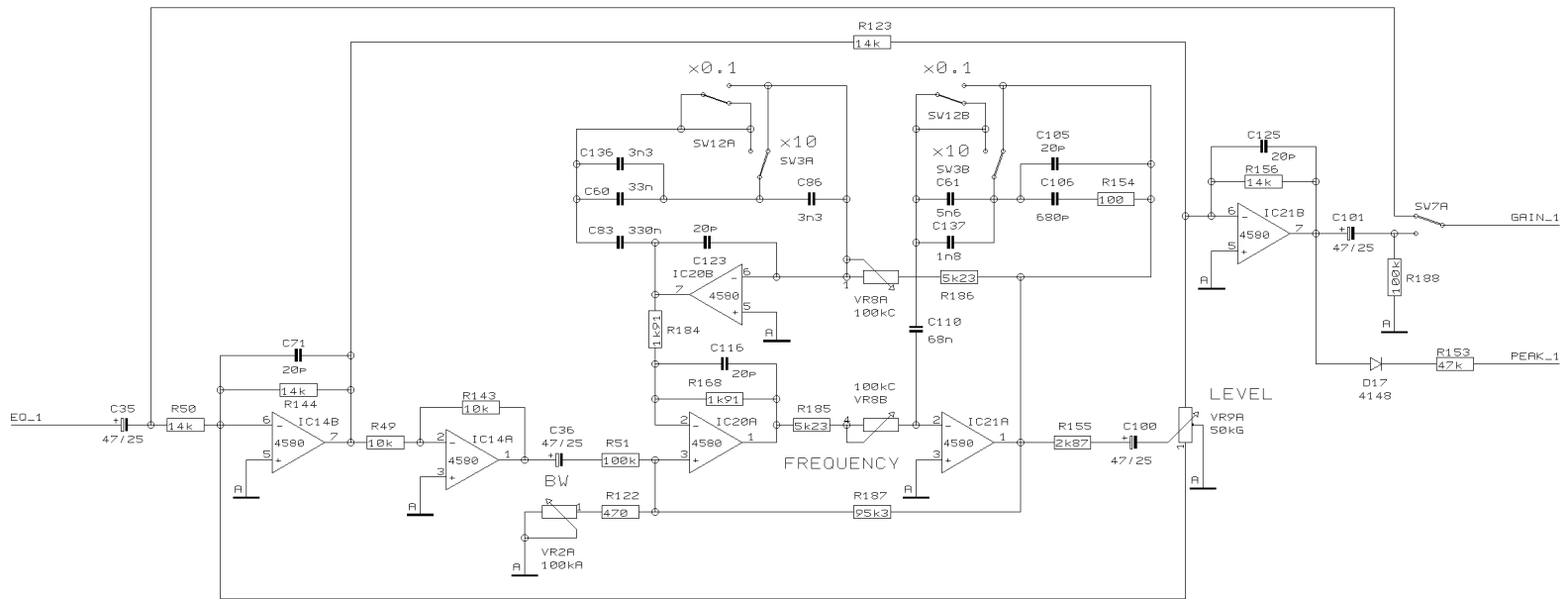
DATE 16.02. 1
9:39

BEHRINGER®

Specialized Studio Equipment

PROJECT
MIC2200
ULTRAGAIN PRO
CHANNEL 1

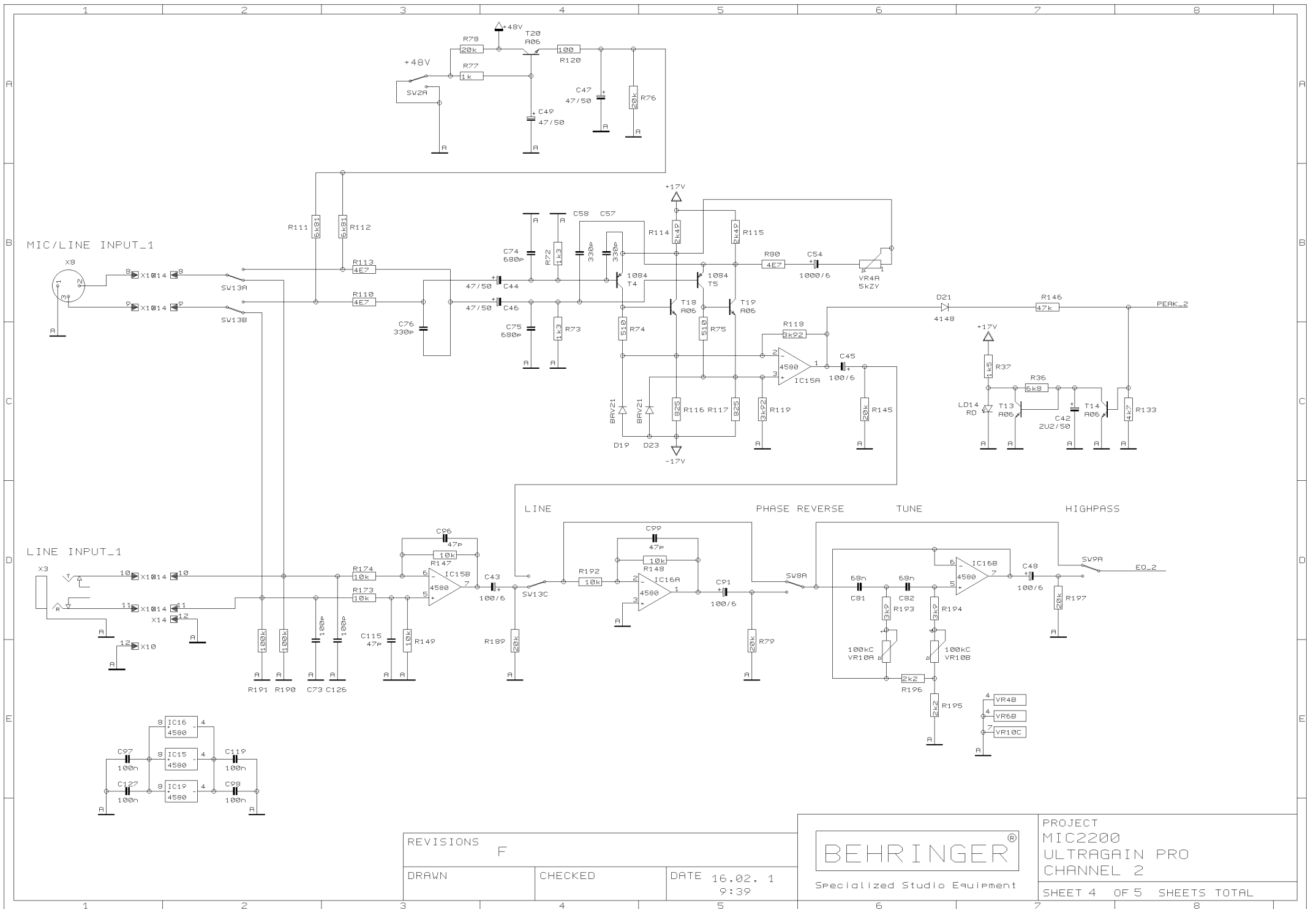
SHEET 2 OF 5 SHEETS TOTAL



REVISIONS		
F		
DRAWN	CHECKED	DATE 16.02. 1 9:39



PROJECT
MIC2200
ULTRAGAIN PRO
FILTER CH. 1&2
SHEET 3 OF 5 SHEETS TOTAL



REVISIONS

F

DRAWN

CHECKED

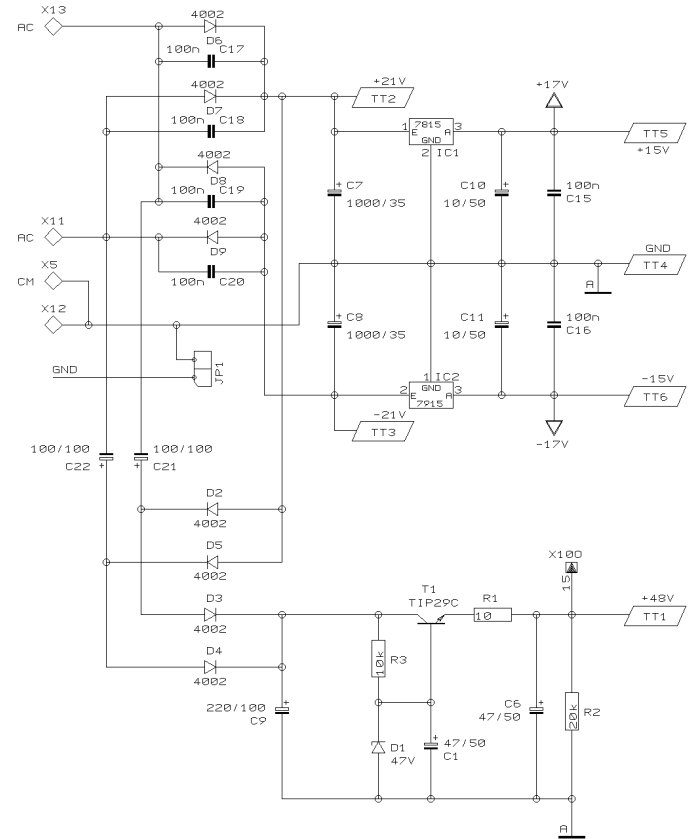
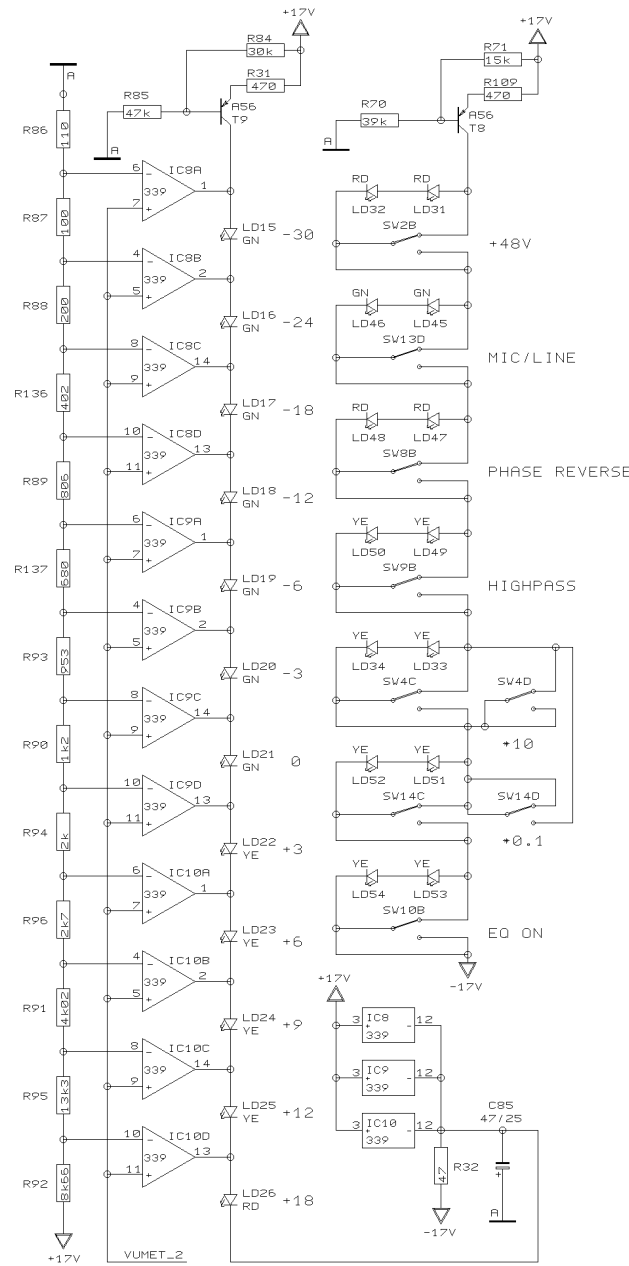
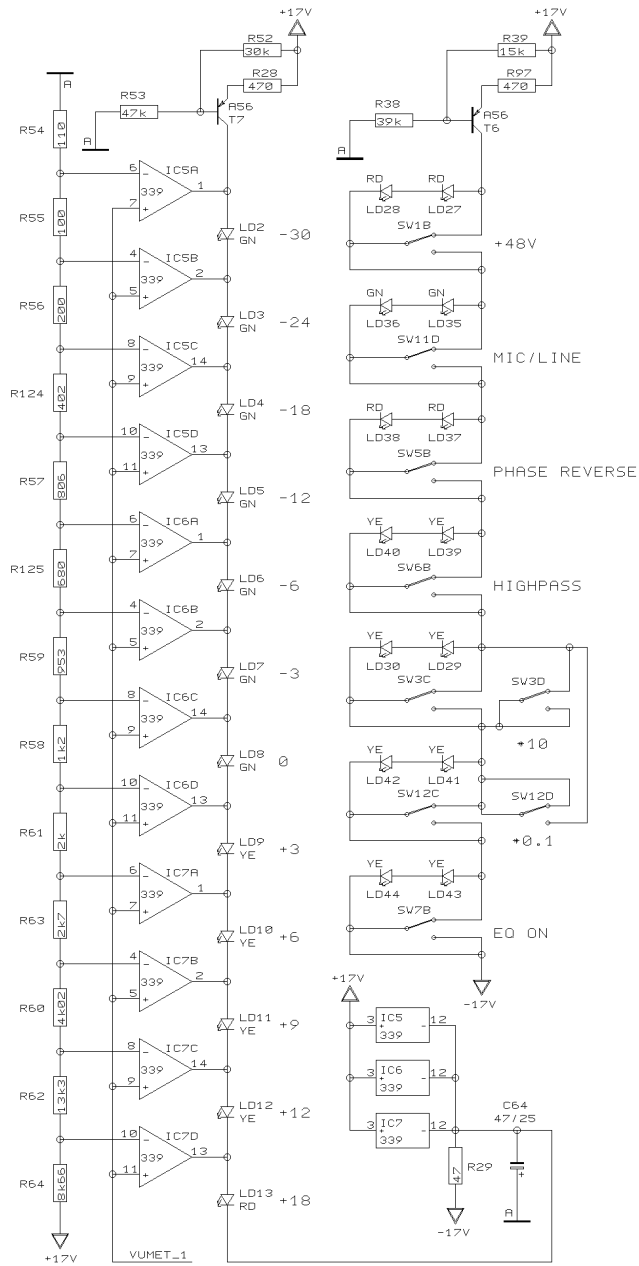
DATE 16.02. 1
9:39

BEHRINGER®

Specialized Studio Equipment

PROJECT
MIC2200
ULTRAGAIN PRO
CHANNEL 2

SHEET 4 OF 5 SHEETS TOTAL



REVISIONS

F

DRAWN

CHECKED

DATE 16.02. 1
9:39

BEHRINGER®

Specialized Studio Equipment

PROJECT
MIC2200
METERING CHANNEL 1 & 2
POWER SUPPLY

SHEET 5 OF 5 SHEETS TOTAL