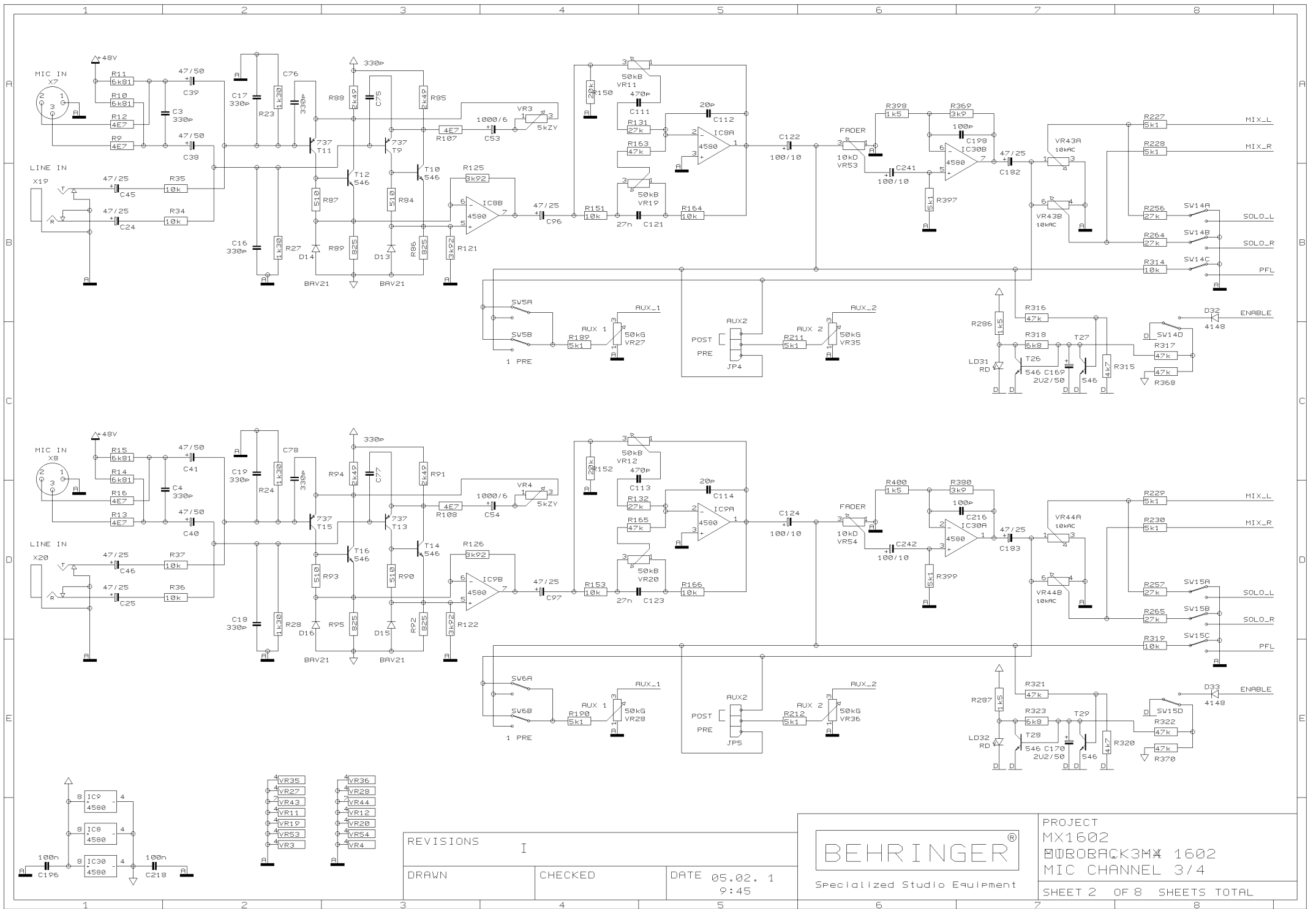


REVISIONS		I
DRAWN	CHECKED	DATE 05.02. 1 9:45



PROJECT  
MX1602  
EURORACK MX 1602  
MIC CHANNEL 1/2

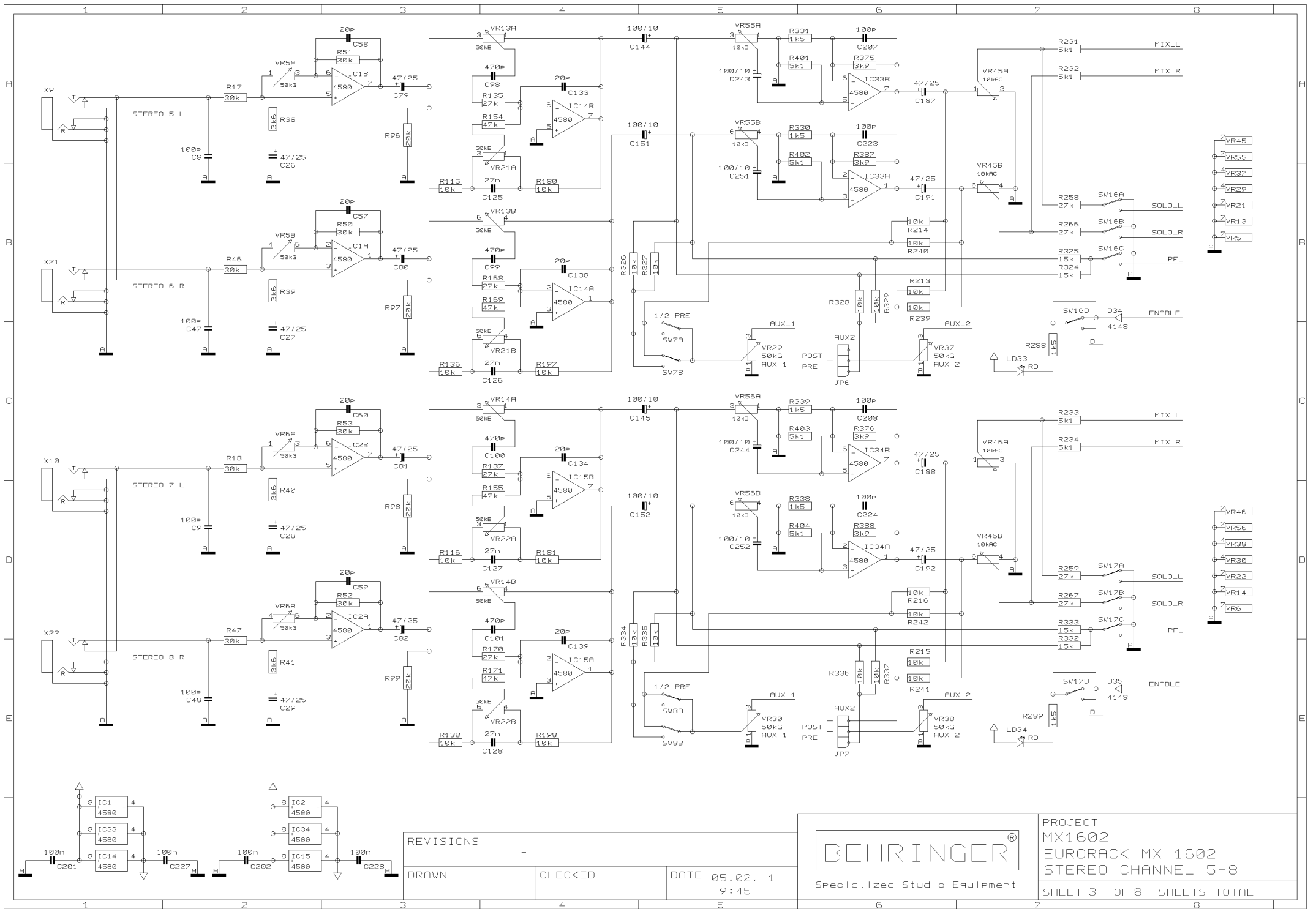
SHEET 1 OF 8 SHEETS TOTAL



REVISIONS		I
DRAWN	CHECKED	DATE 05.02. 1 9:45



PROJECT  
MX1602  
MIDBACK3M# 1602  
MIC CHANNEL 3/4  
SHEET 2 OF 8 SHEETS TOTAL



REVISIONS

I

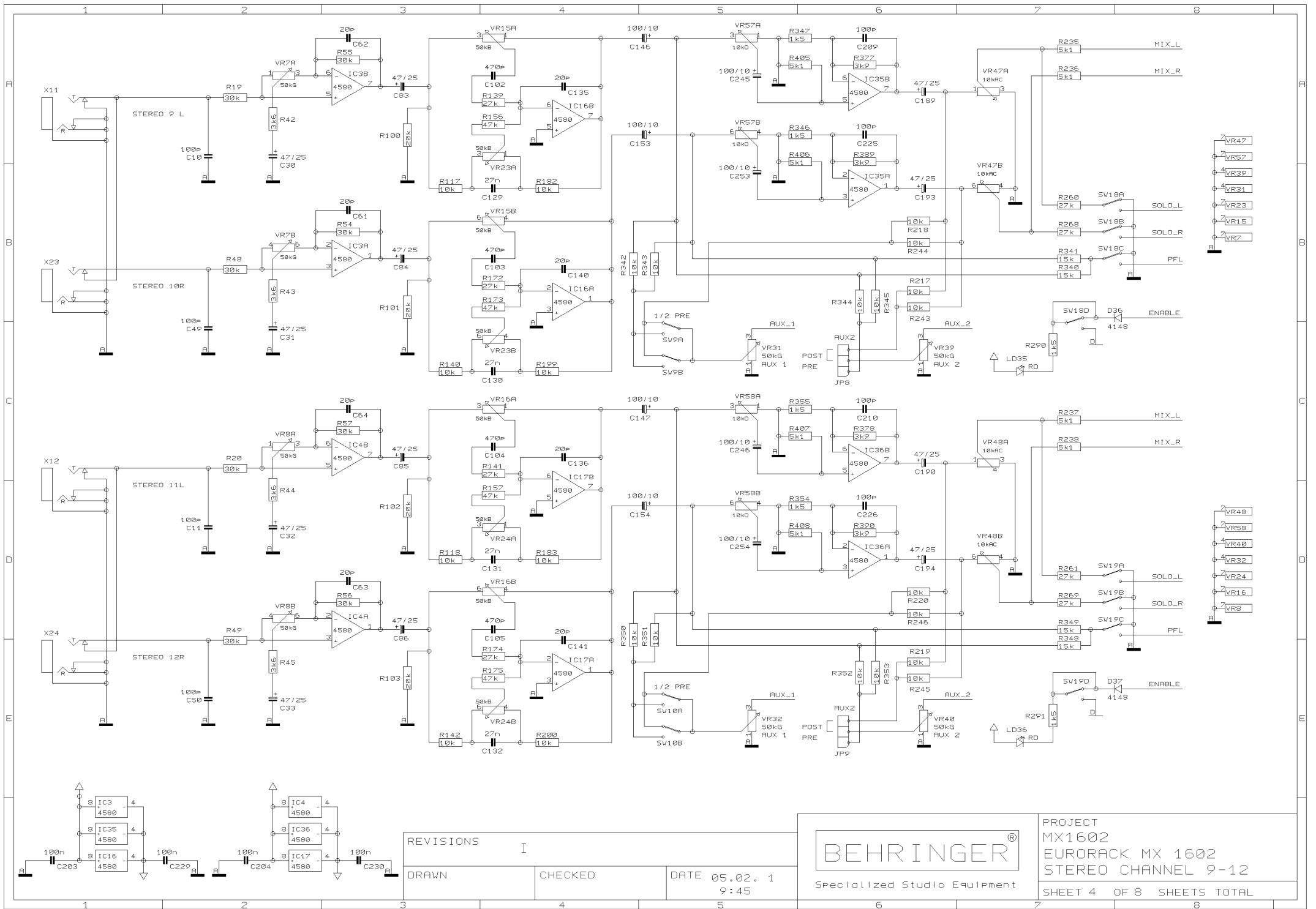
DRAWN

CHECKED

DATE 05.02. 1  
9:45



PROJECT  
MX1602  
EURORACK MX 1602  
STEREO CHANNEL 5-8  
SHEET 3 OF 8 SHEETS TOTAL



REVISIONS

I

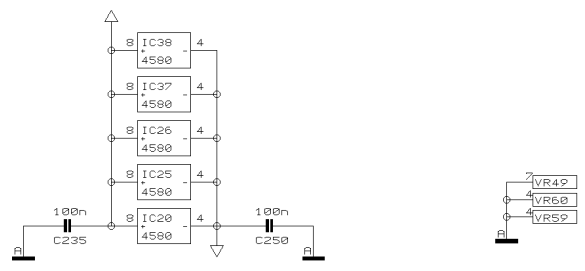
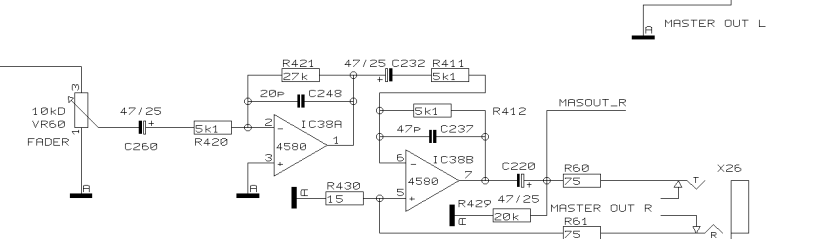
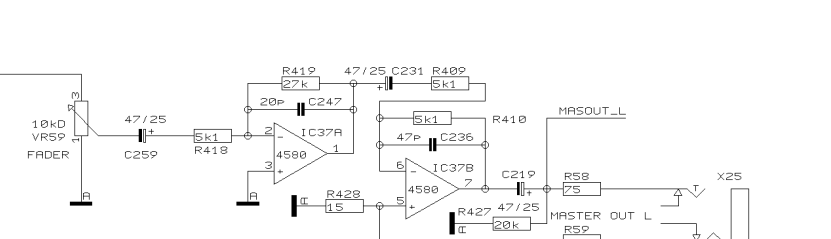
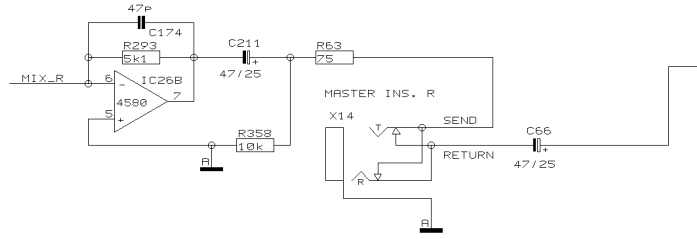
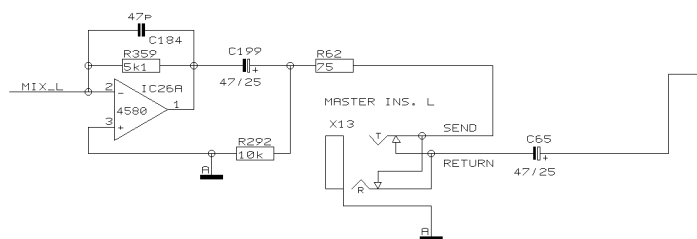
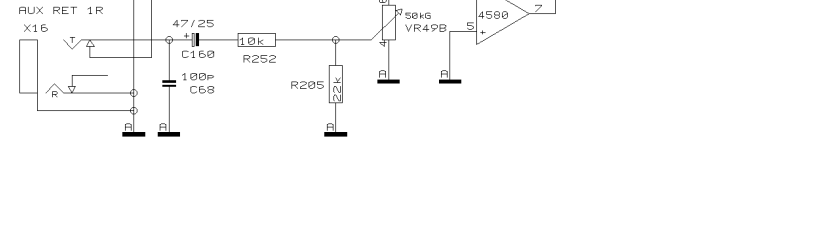
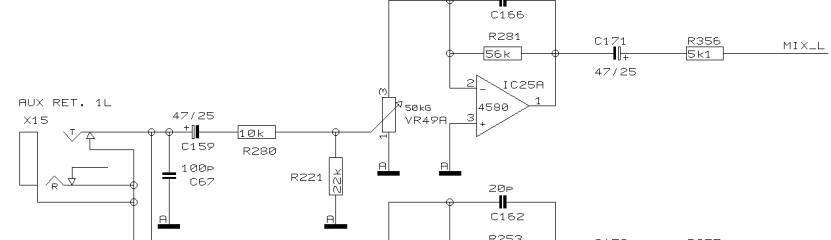
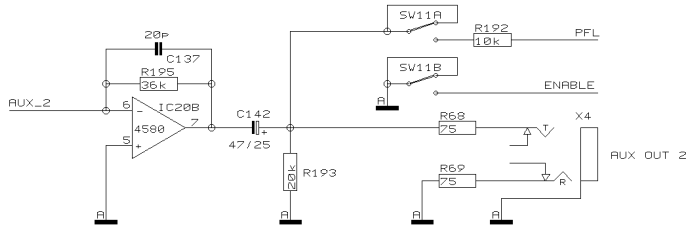
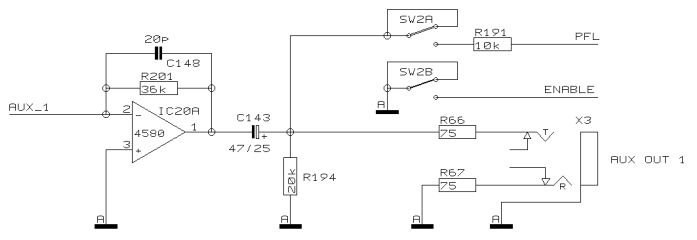
DRAWN

CHECKED

DATE 05.02. 1  
9:45



PROJECT  
MX1602  
EURORACK MX 1602  
STEREO CHANNEL 9-12  
SHEET 4 OF 8 SHEETS TOTAL

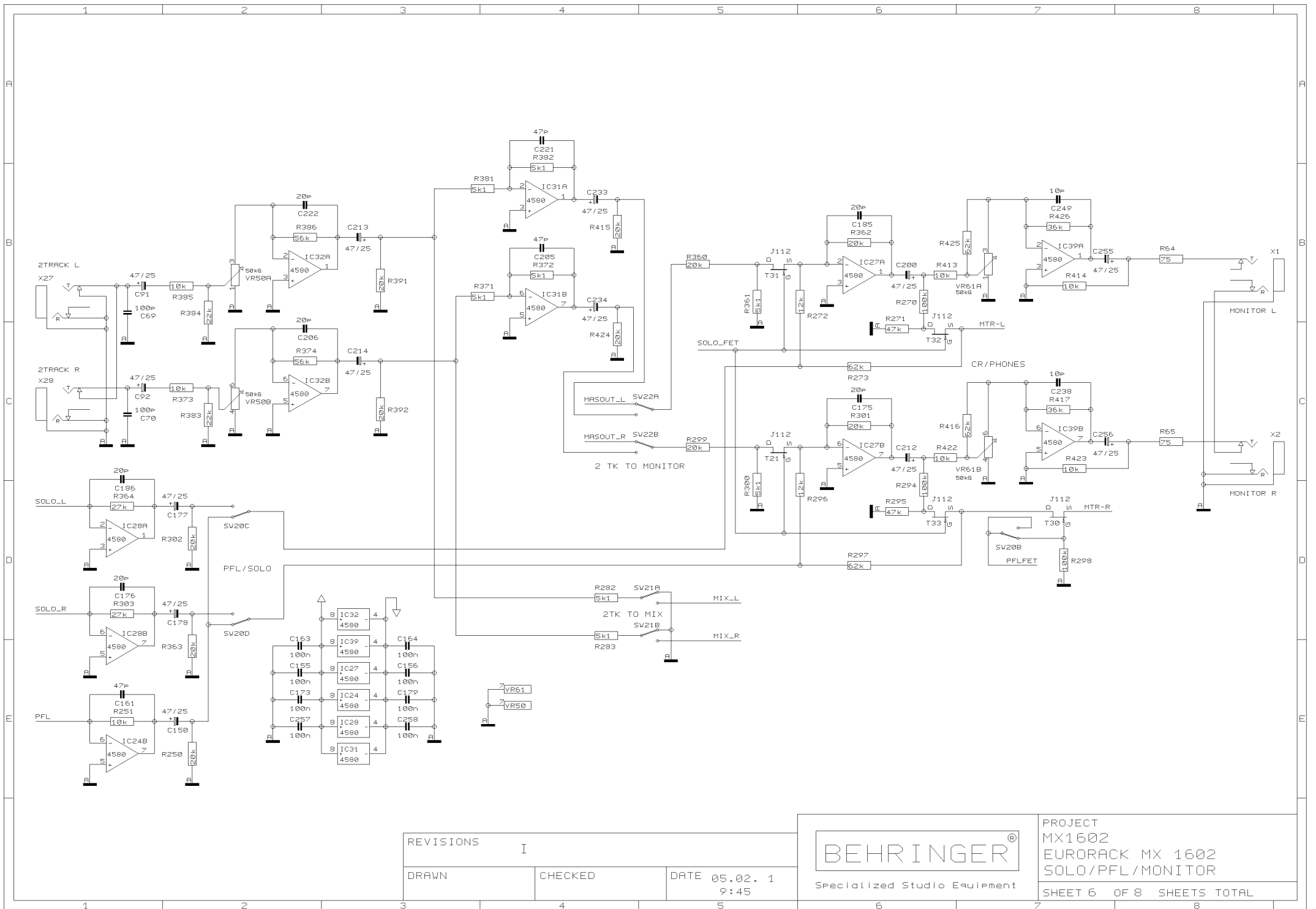


REVISIONS		
I		
DRAWN	CHECKED	DATE 05.02. 1 9:45

**BEHRINGER**<sup>®</sup>

Specialized Studio Equipment

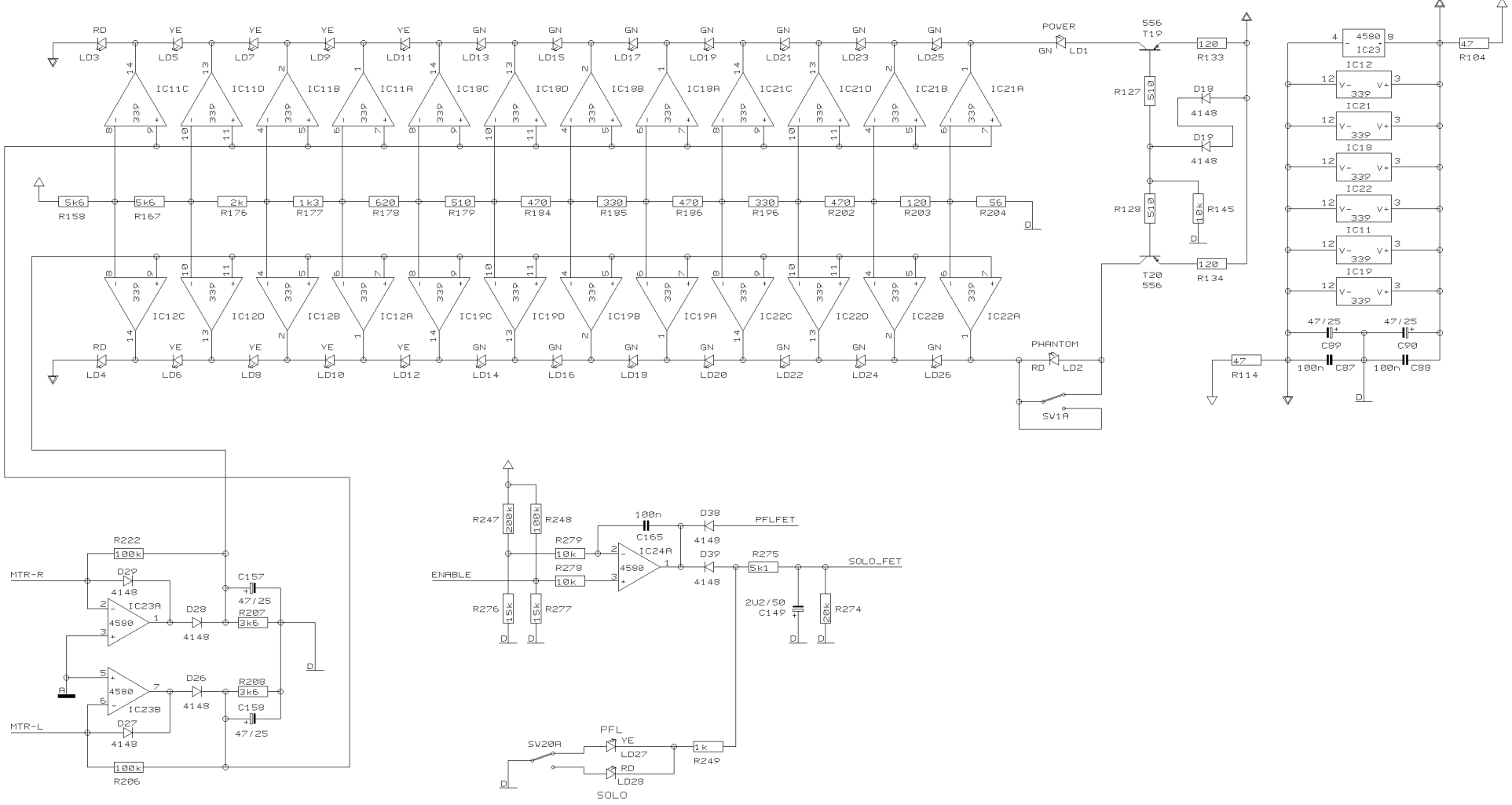
PROJECT  
MX1602  
EURORACK MX 1602  
AUX SENDS/AUX RET/MAIN  
SHEET 5 OF 8 SHEETS TOTAL



REVISIONS		I
DRAWN	CHECKED	DATE 05.02. 1 9:45



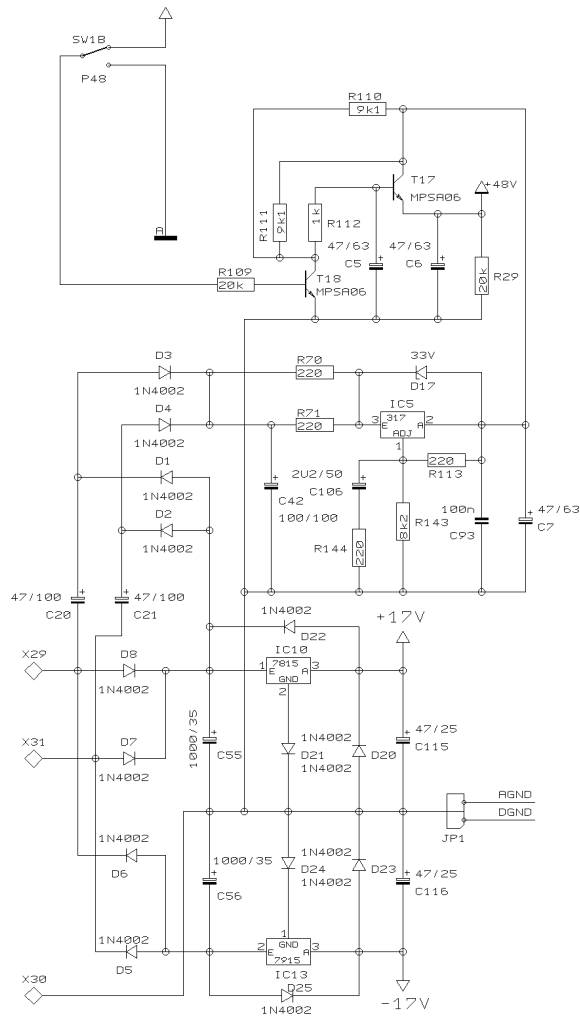
PROJECT  
MX1602  
EURORACK MX 1602  
SOLO/PFL/MONITOR  
SHEET 6 OF 8 SHEETS TOTAL



REVISIONS	I	
DRAWN	CHECKED	DATE 05.02. 1 9:45



PROJECT  
MX1602  
EURORACK MX 1602  
LED BARS  
SHEET 7 OF 8 SHEETS TOTAL



REVISIONS

I

DRAWN

CHECKED

DATE 05.02. 1  
9:45

BEHRINGER®

Specialized Studio Equipment

PROJECT  
MX1602  
EURORACK MX 1602  
POWER SUPPLY

SHEET 8 OF 8 SHEETS TOTAL