

REVISIONS

D

DRAWN

CHECKED

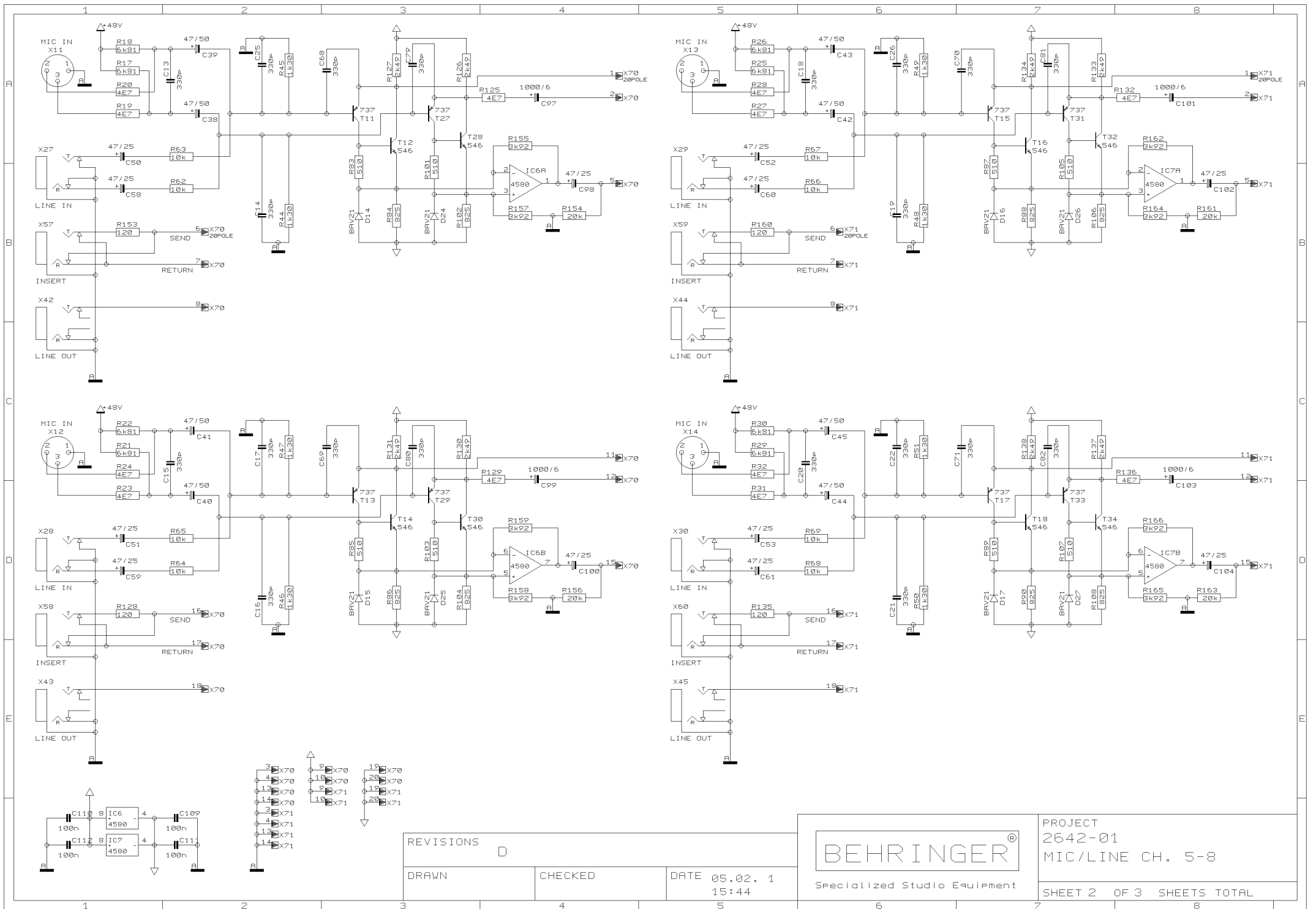
DATE 05.02. 1
15:44



Specialized Studio Equipment

PROJECT
2642-01
MIC/LINE CH. 1-4

SHEET 1 OF 3 SHEETS TOTAL



REVISIONS

D

DRAWN

CHECKED

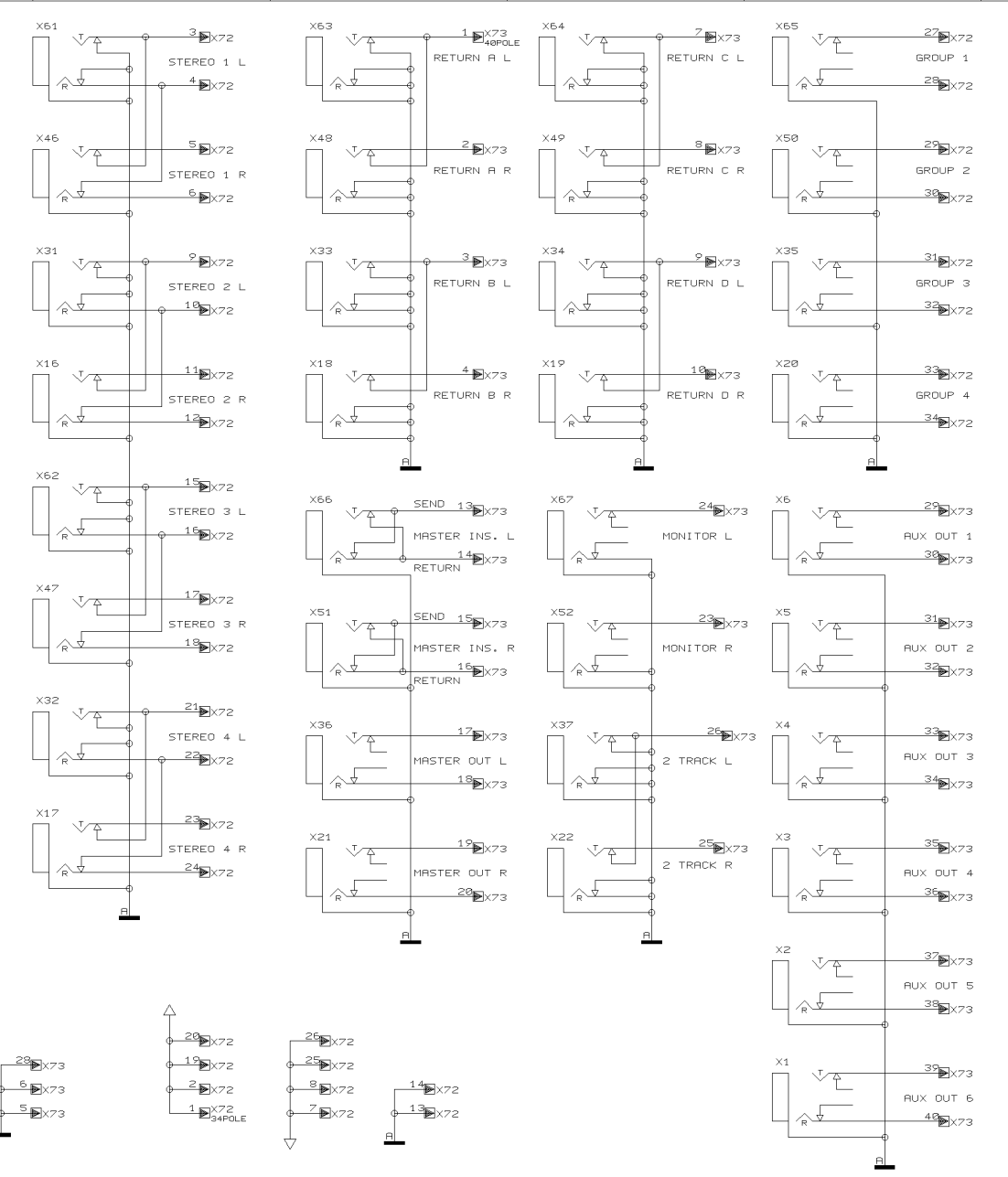
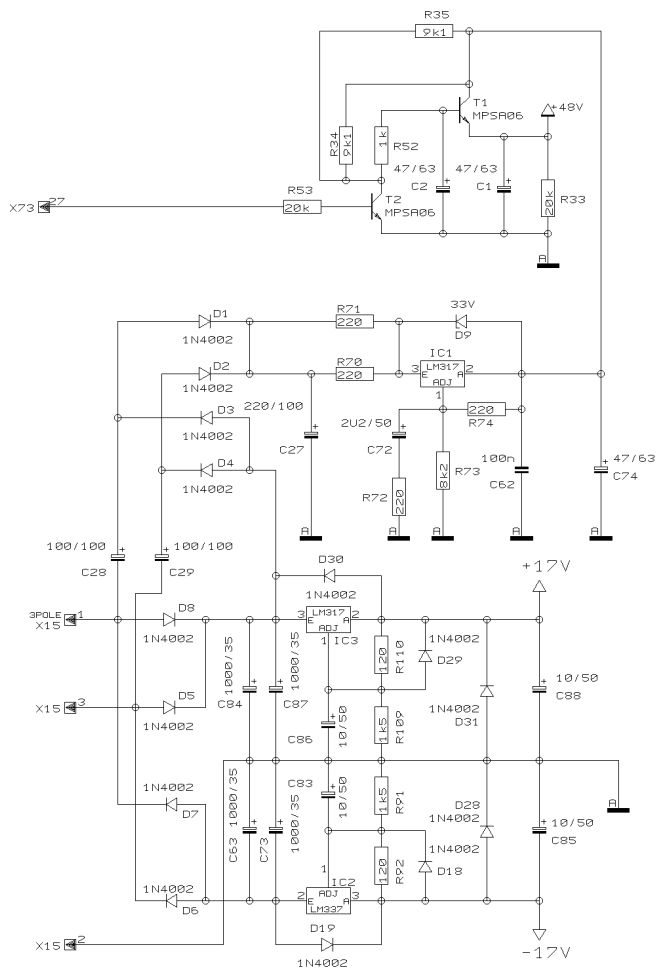
DATE 05.02. 1
15:44

BEHRINGER®

Specialized Studio Equipment

PROJECT
2642-01
MIC/LINE CH. 5-8

SHEET 2 OF 3 SHEETS TOTAL



REVISIONS		
D		
DRAWN	CHECKED	DATE 05.02. 15:44



PROJECT
2642-01
POWER SUPPLY & I/O

SHEET 3 OF 3 SHEETS TOTAL