

REVISIONS C

DRAWN UB

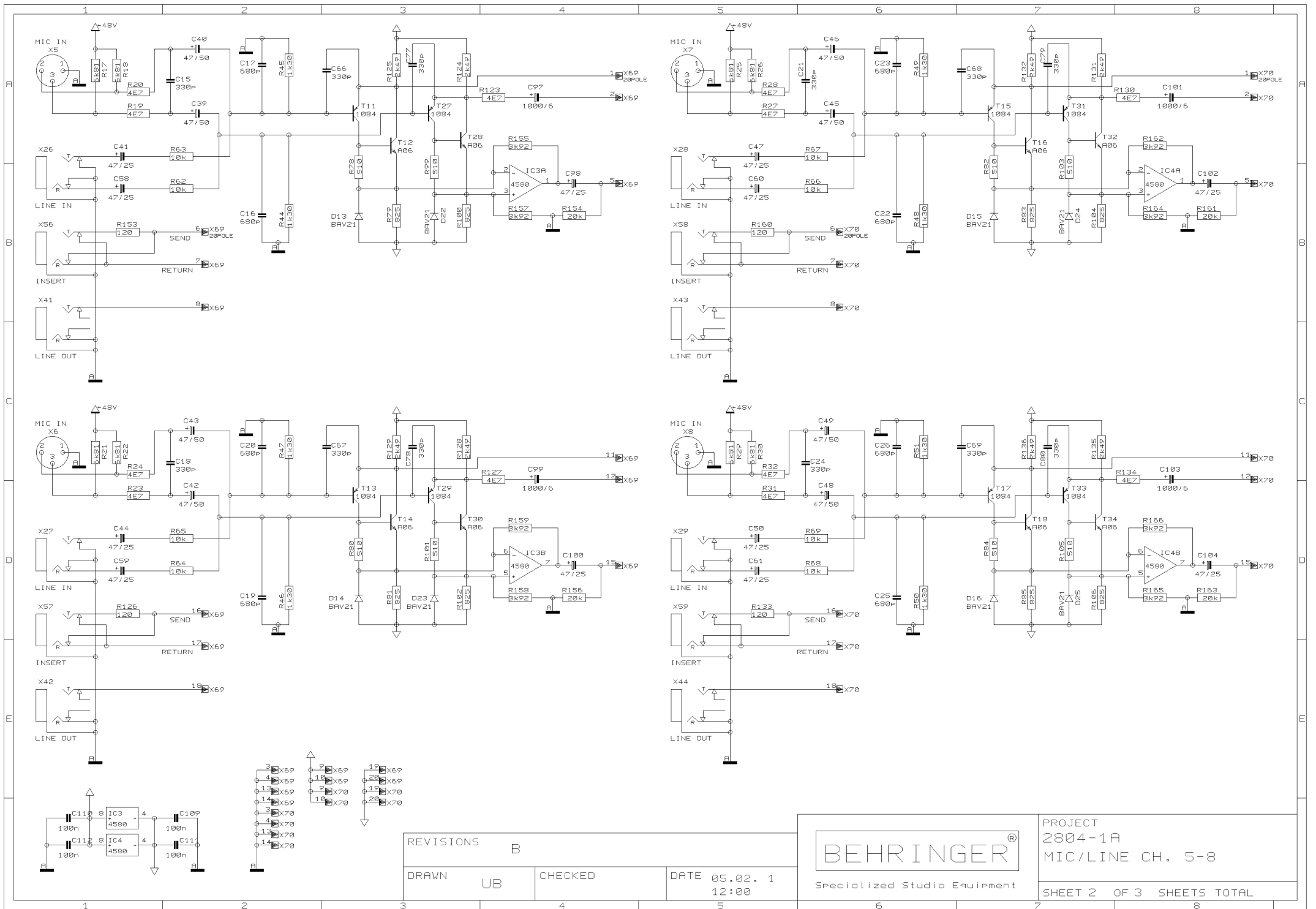
CHECKED

DATE 05.02. 1
12:00



PROJECT
2804-1A
MIC/LINE CH. 1-4

SHEET 1 OF 3 SHEETS TOTAL

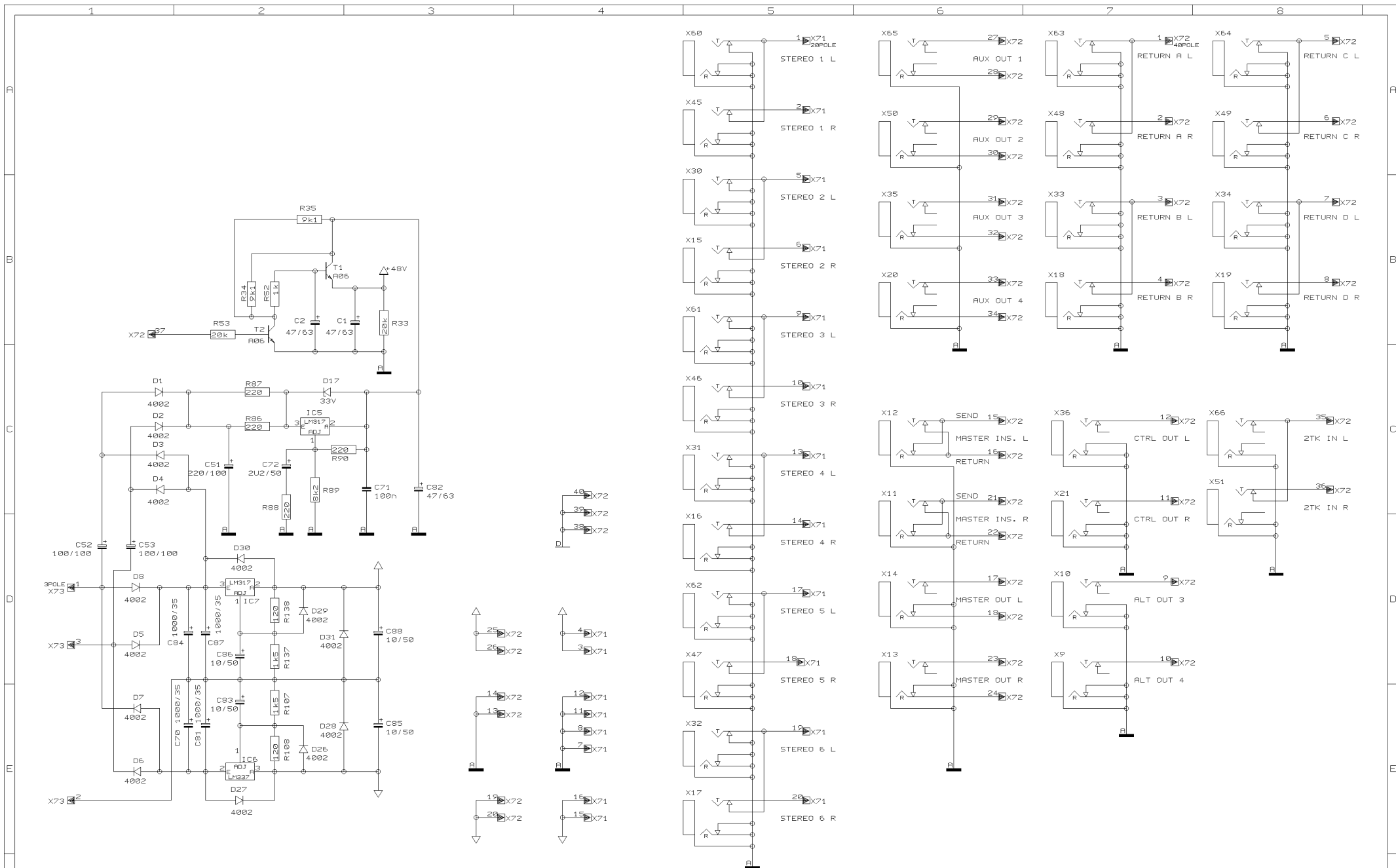


REVISIONS	B	
DRAWN	UB	CHECKED
DATE	05.02. 1 12:00	



PROJECT
2804-1A
MIC/LINE CH. 5-8

SHEET 2 OF 3 SHEETS TOTAL



REVISIONS

B

DRAWN

UB

CHECKED

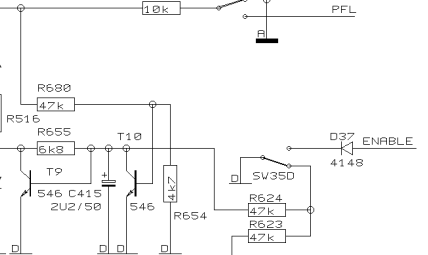
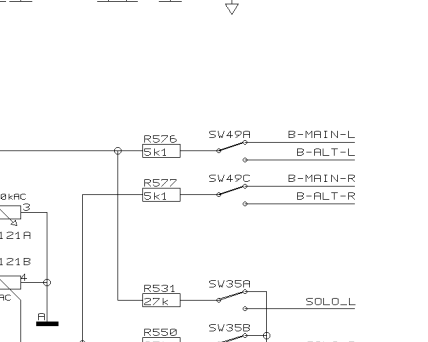
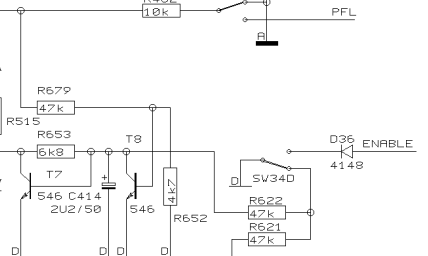
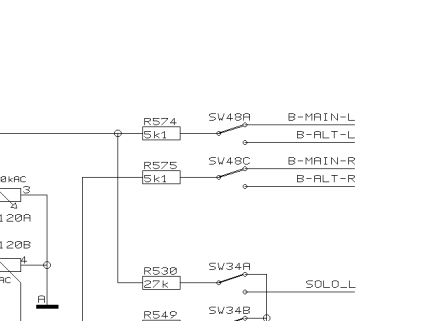
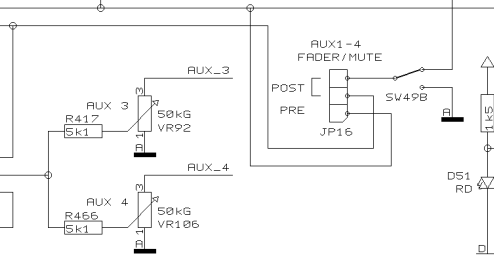
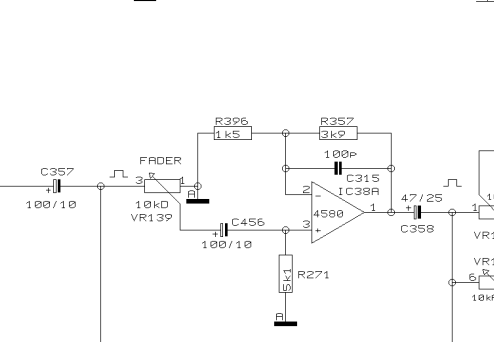
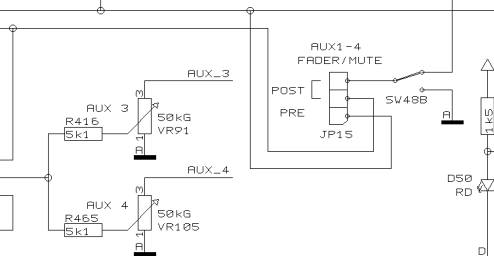
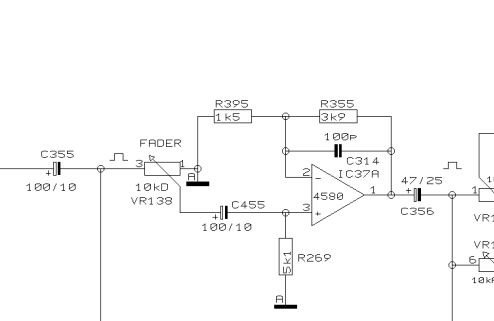
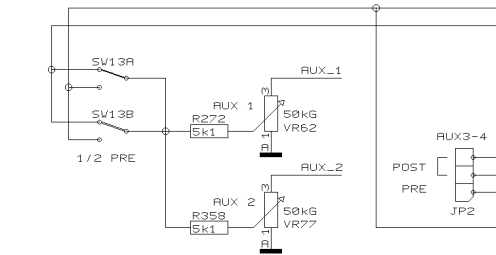
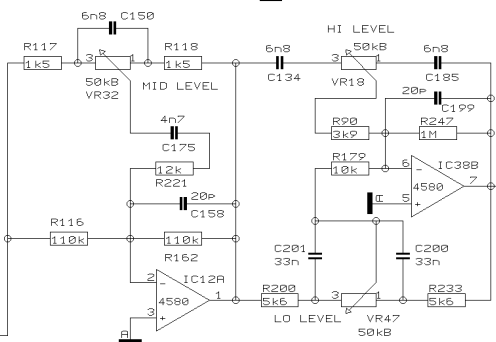
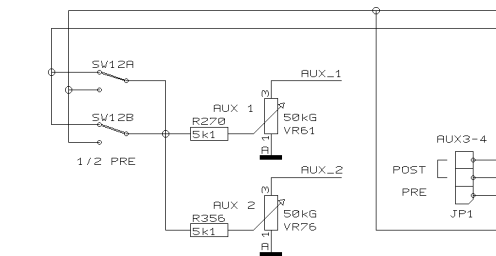
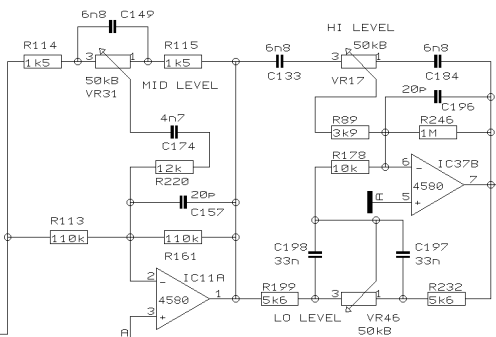
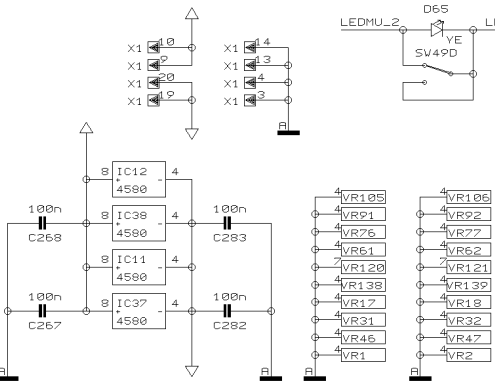
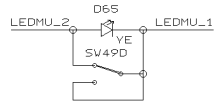
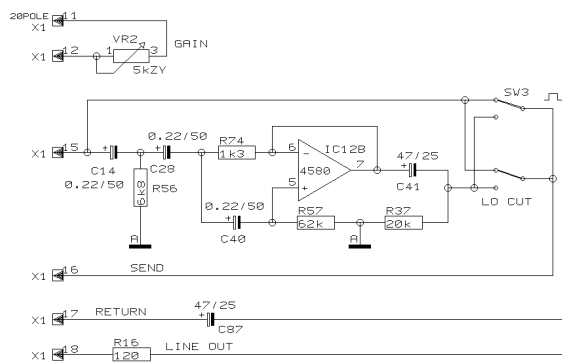
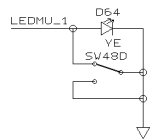
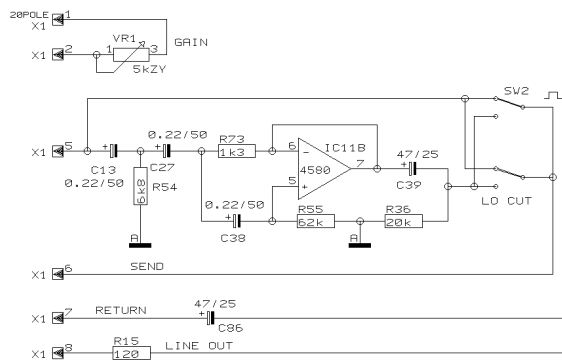
DATE 05.02. 1
12:00

BEHRINGER®

Specialized Studio Equipment

PROJECT
2804-1A
POWER SUPPLY & I/O

SHEET 3 OF 3 SHEETS TOTAL



REVISIONS D

DRAWN

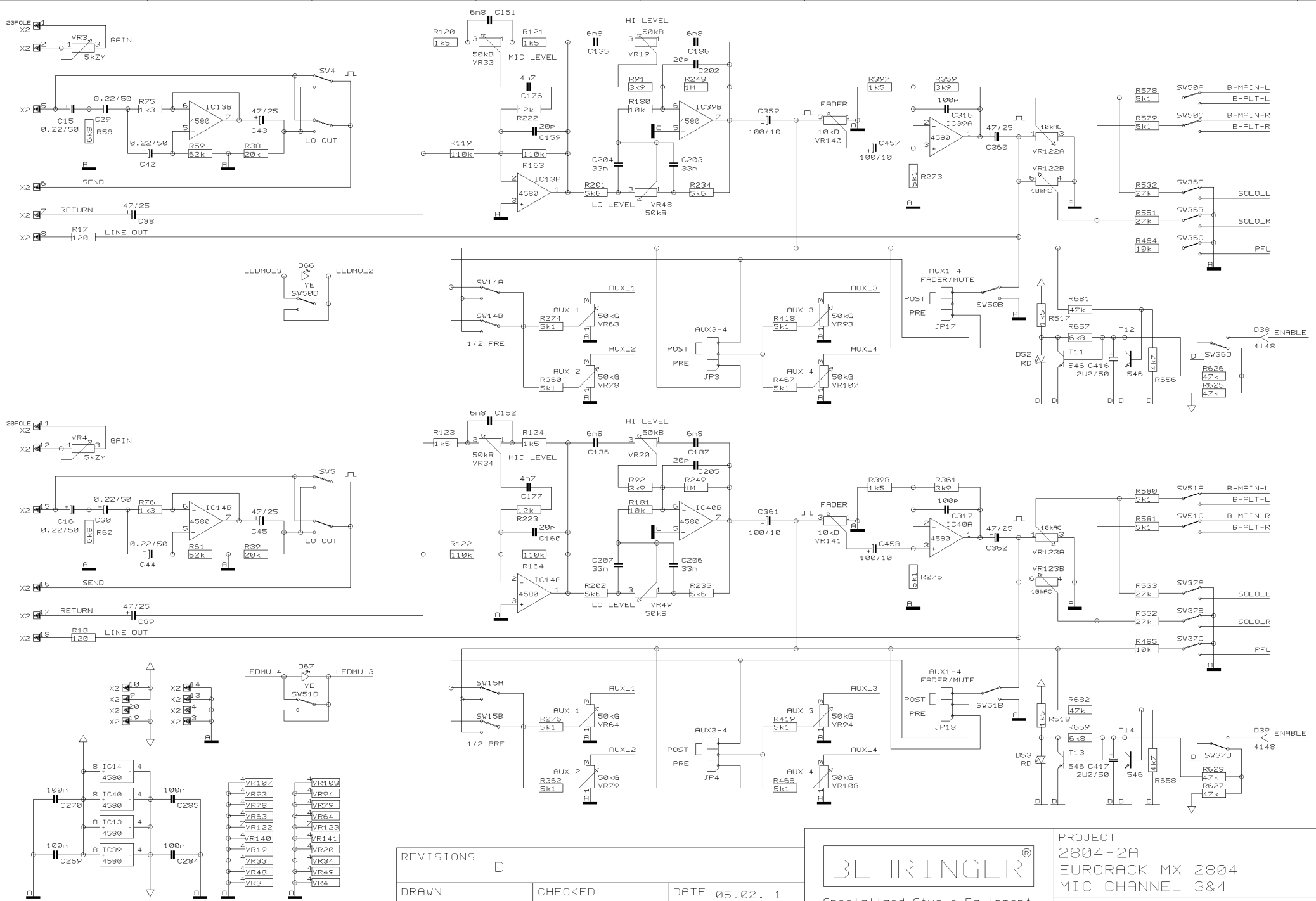
CHECKED

DATE 05.02. 1
11:58



PROJECT
2804-2A
EURORACK MX 2804
MIC CHANNEL 1&2

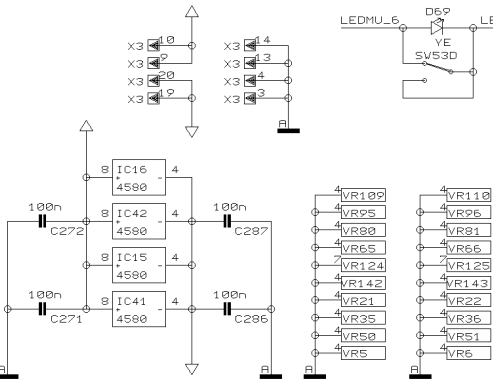
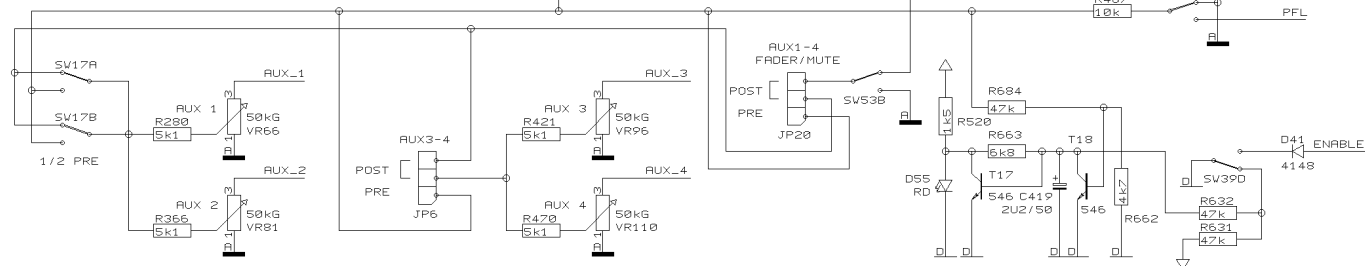
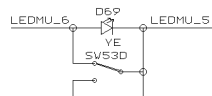
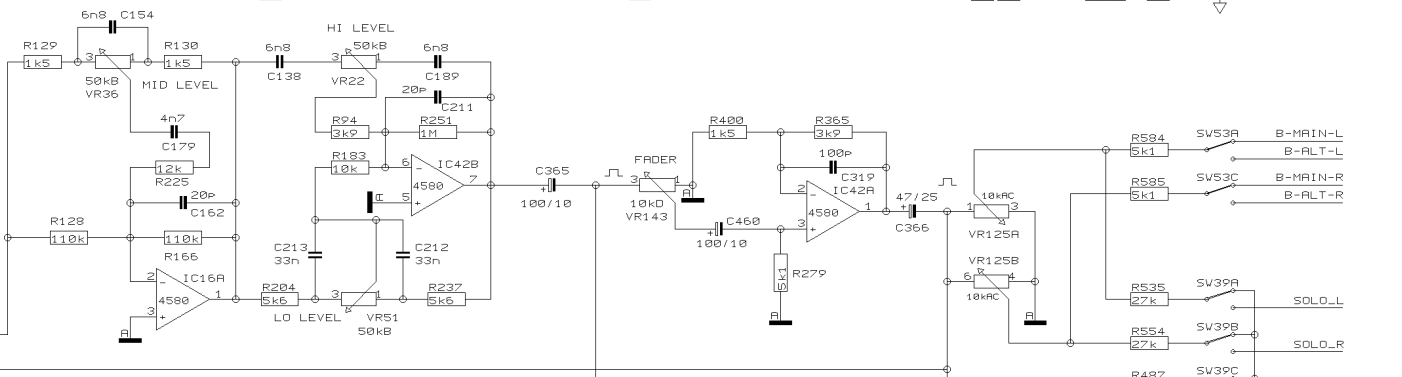
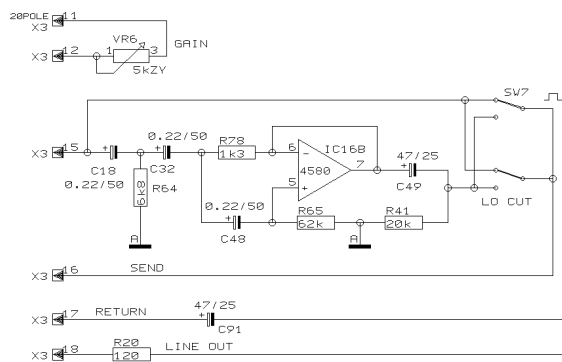
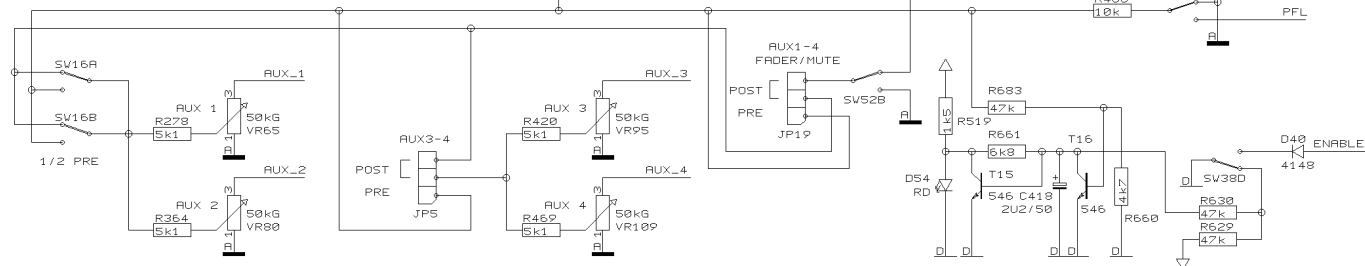
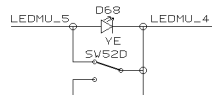
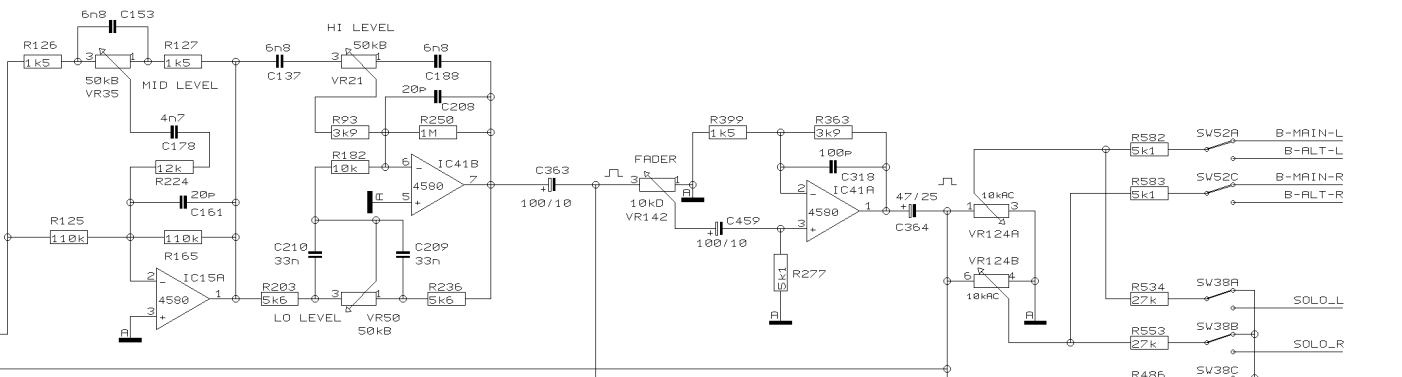
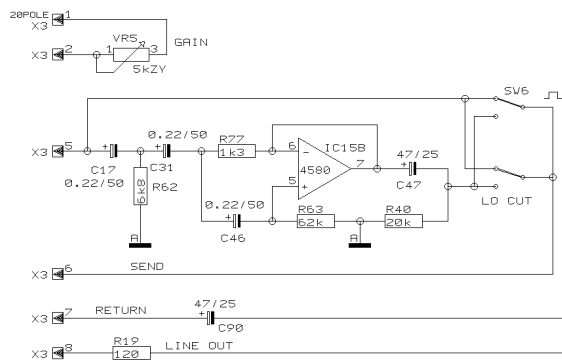
SHEET 1 OF 14 SHEETS TOTAL



REVISIONS		
D		
DRAWN	CHECKED	DATE 05.02. 11:58



PROJECT
2804-2A
EURORACK MX 2804
MIC CHANNEL 3&4
SHEET 2 OF 14 SHEETS TOTAL



REVISIONS D

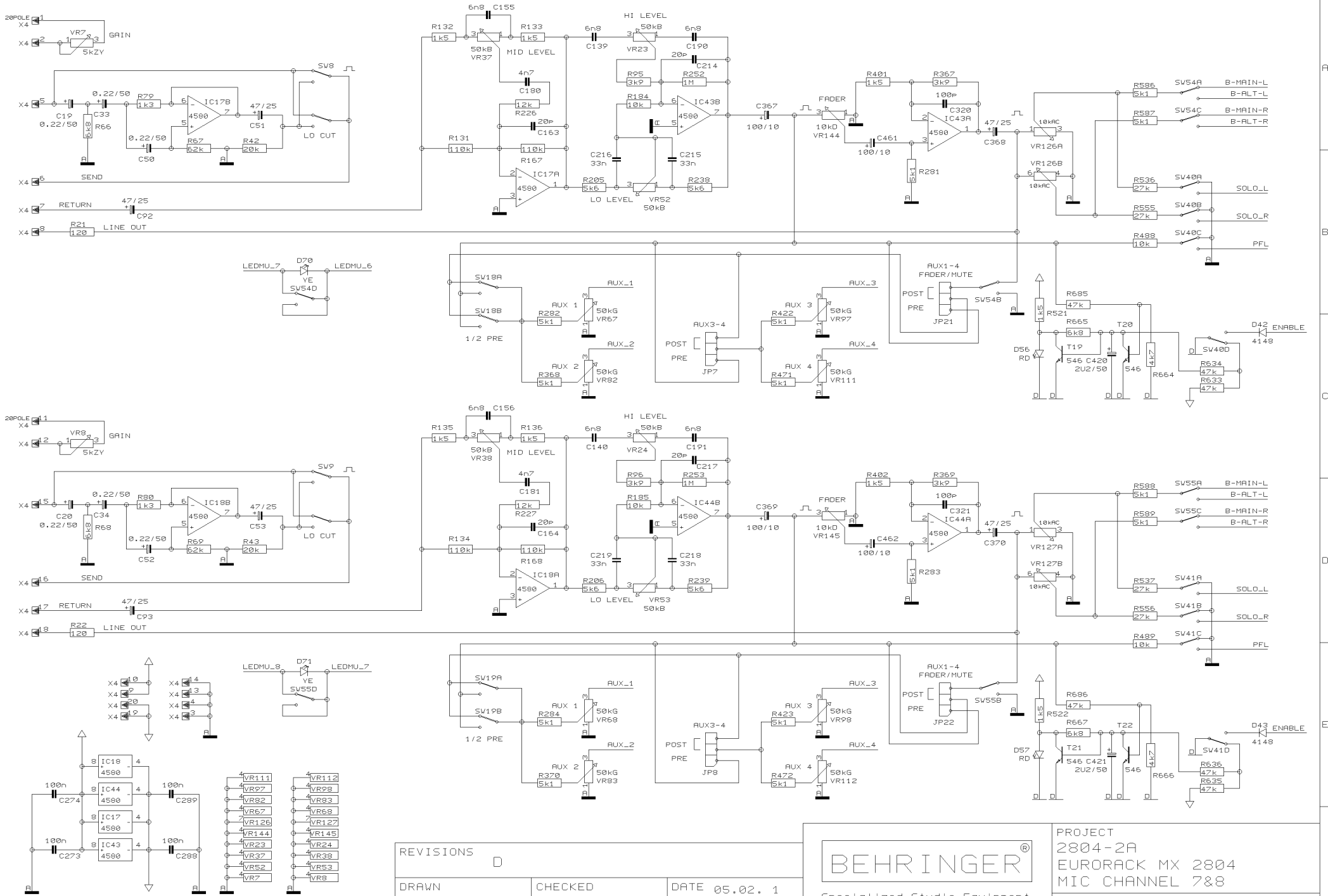
DRAWN

CHECKED

DATE 05.02. 1
 11:58



PROJECT
 2804-2A
 EURORACK MX 2804
 MIC CHANNEL 5&6
 SHEET 3 OF 14 SHEETS TOTAL



REVISIONS
D

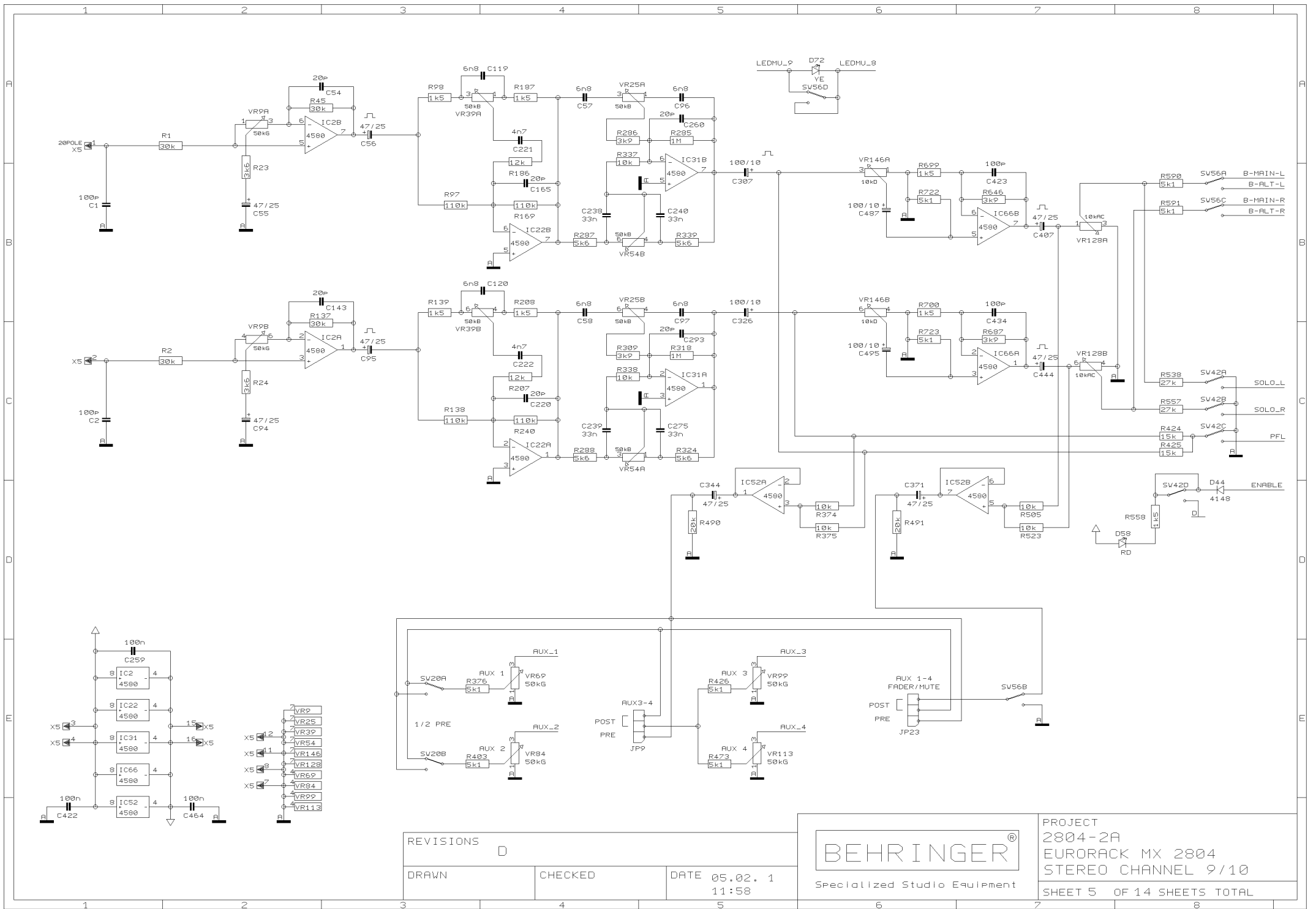
DRAWN

CHECKED

DATE 05.02. 1
11:58



PROJECT
2804-2A
EURORACK MX 2804
MIC CHANNEL 7&8
SHEET 4 OF 14 SHEETS TOTAL



REVISIONS

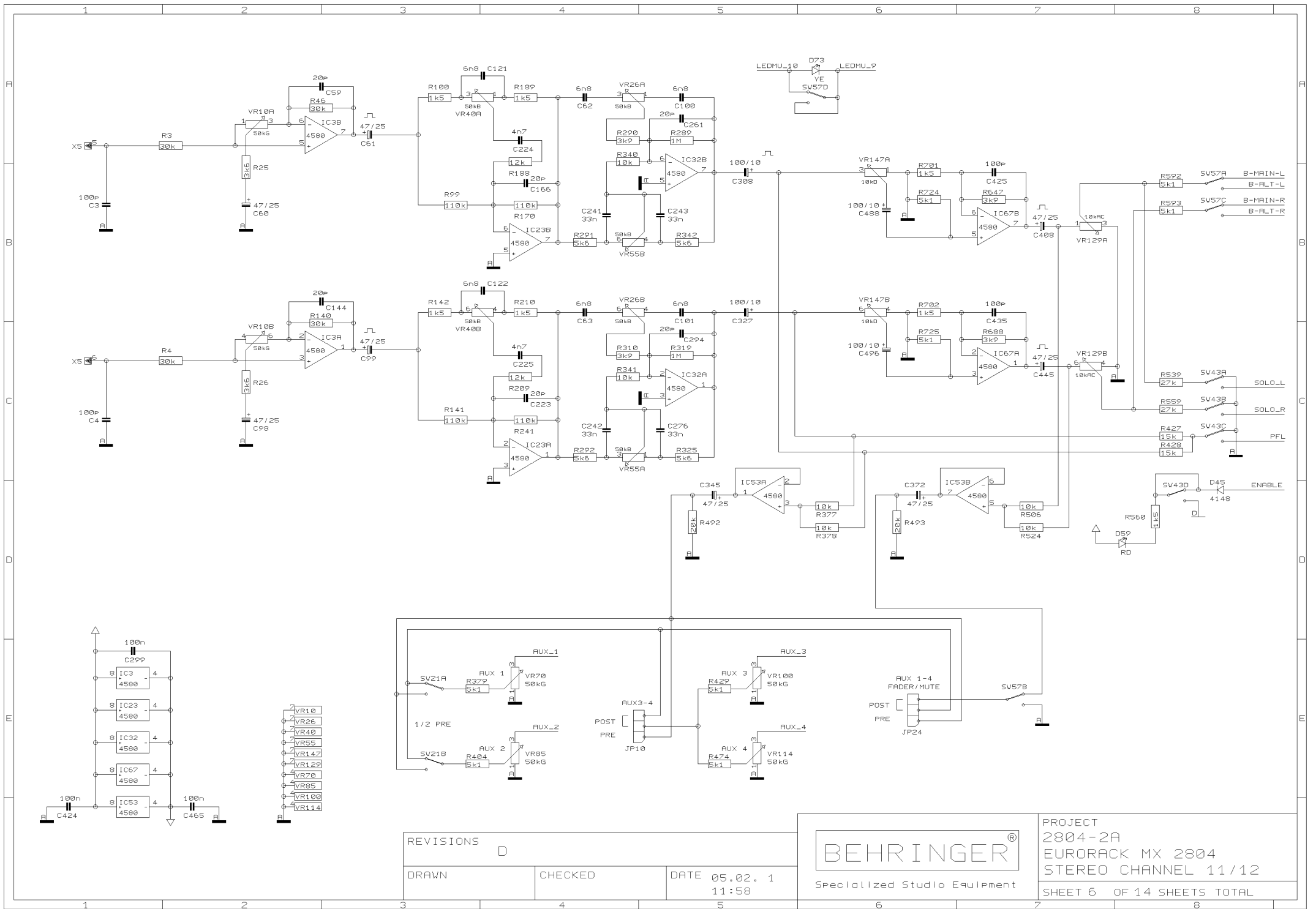
DRAWN

CHECKED

DATE 05.02. 1
11:58



PROJECT
2804-2A
EURORACK MX 2804
STEREO CHANNEL 9/10
SHEET 5 OF 14 SHEETS TOTAL



REVISIONS

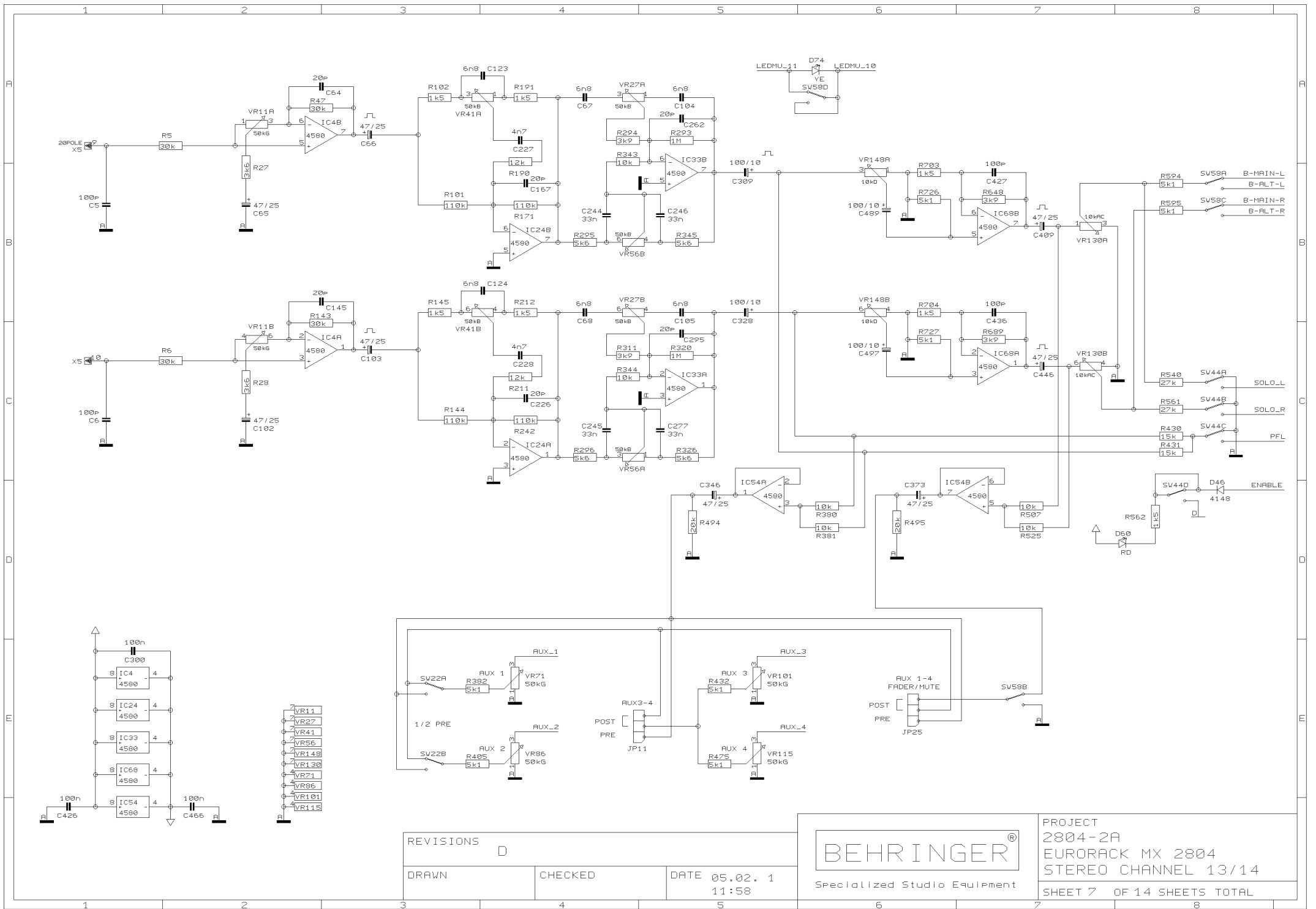
DRAWN

CHECKED

DATE 05.02. 1
11:58



PROJECT
2804-2A
EURORACK MX 2804
STEREO CHANNEL 11/12
SHEET 6 OF 14 SHEETS TOTAL



REVISIONS

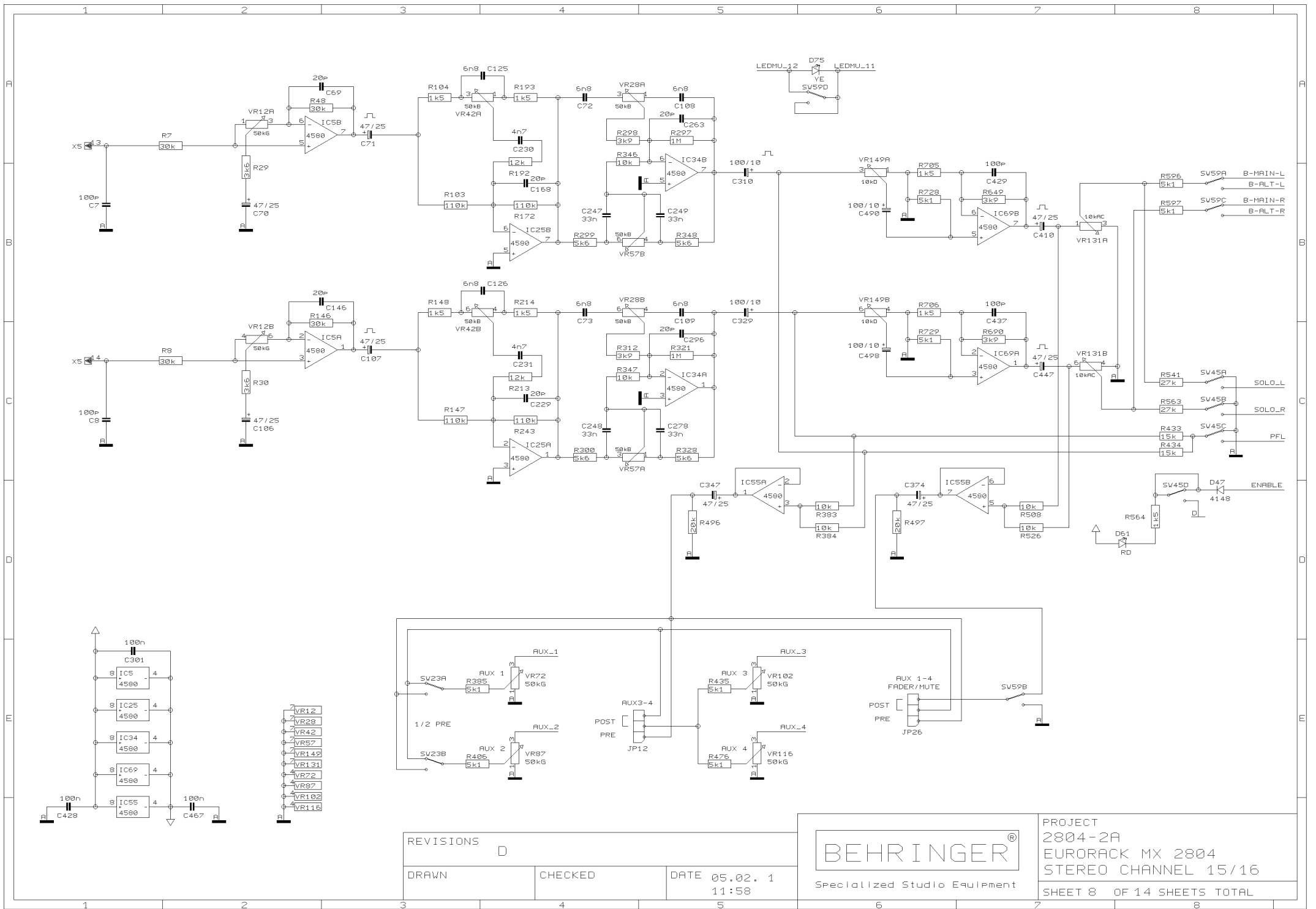
DRAWN

CHECKED

DATE 05.02. 1
11:58



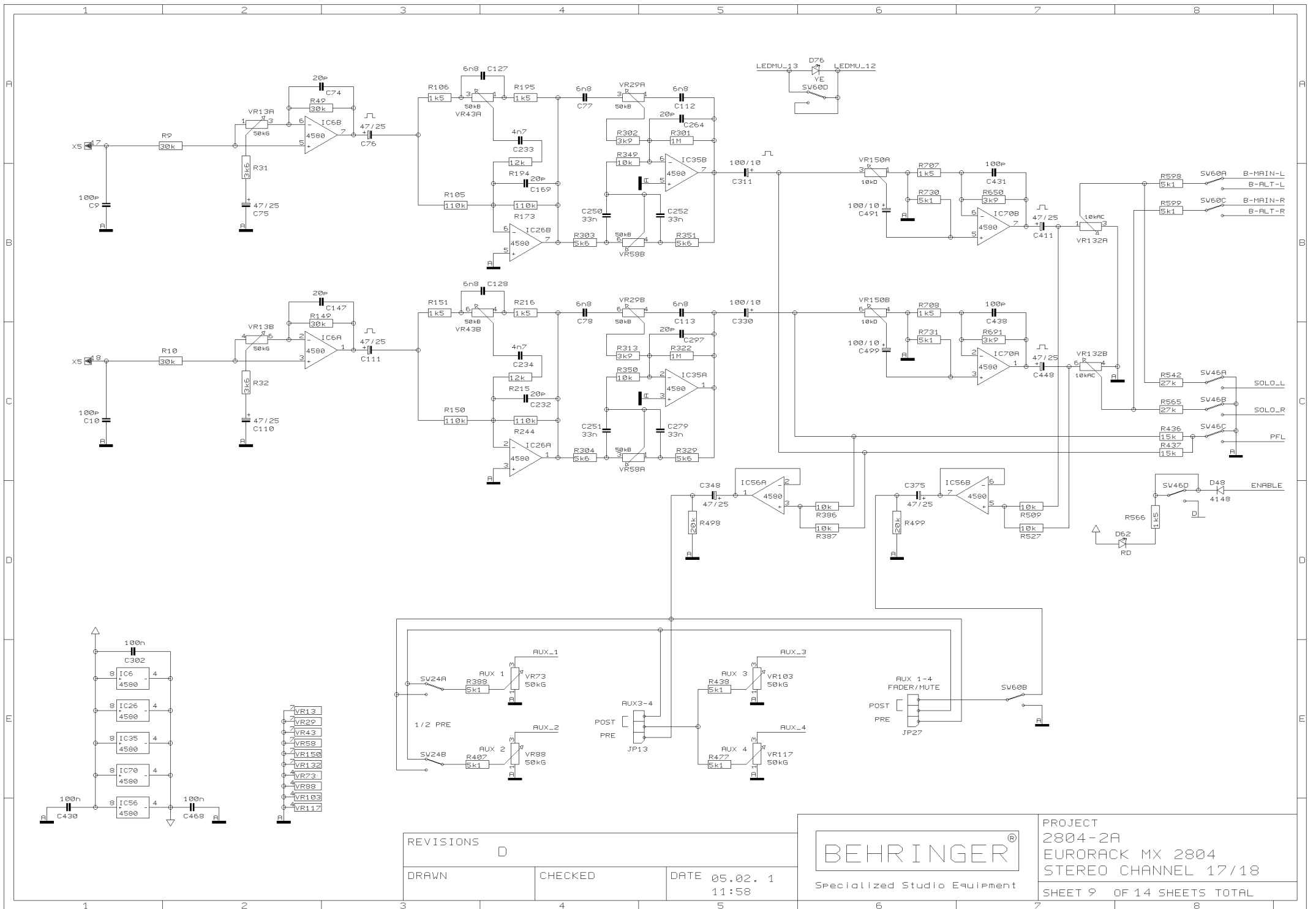
PROJECT
2804-2A
EURORACK MX 2804
STEREO CHANNEL 13/14
SHEET 7 OF 14 SHEETS TOTAL



REVISIONS		
D		
DRAWN	CHECKED	DATE 05.02. 1 11:58

Specialized Studio Equipment

PROJECT
2804-2A
EURORACK MX 2804
STEREO CHANNEL 15/16
SHEET 8 OF 14 SHEETS TOTAL



REVISIONS

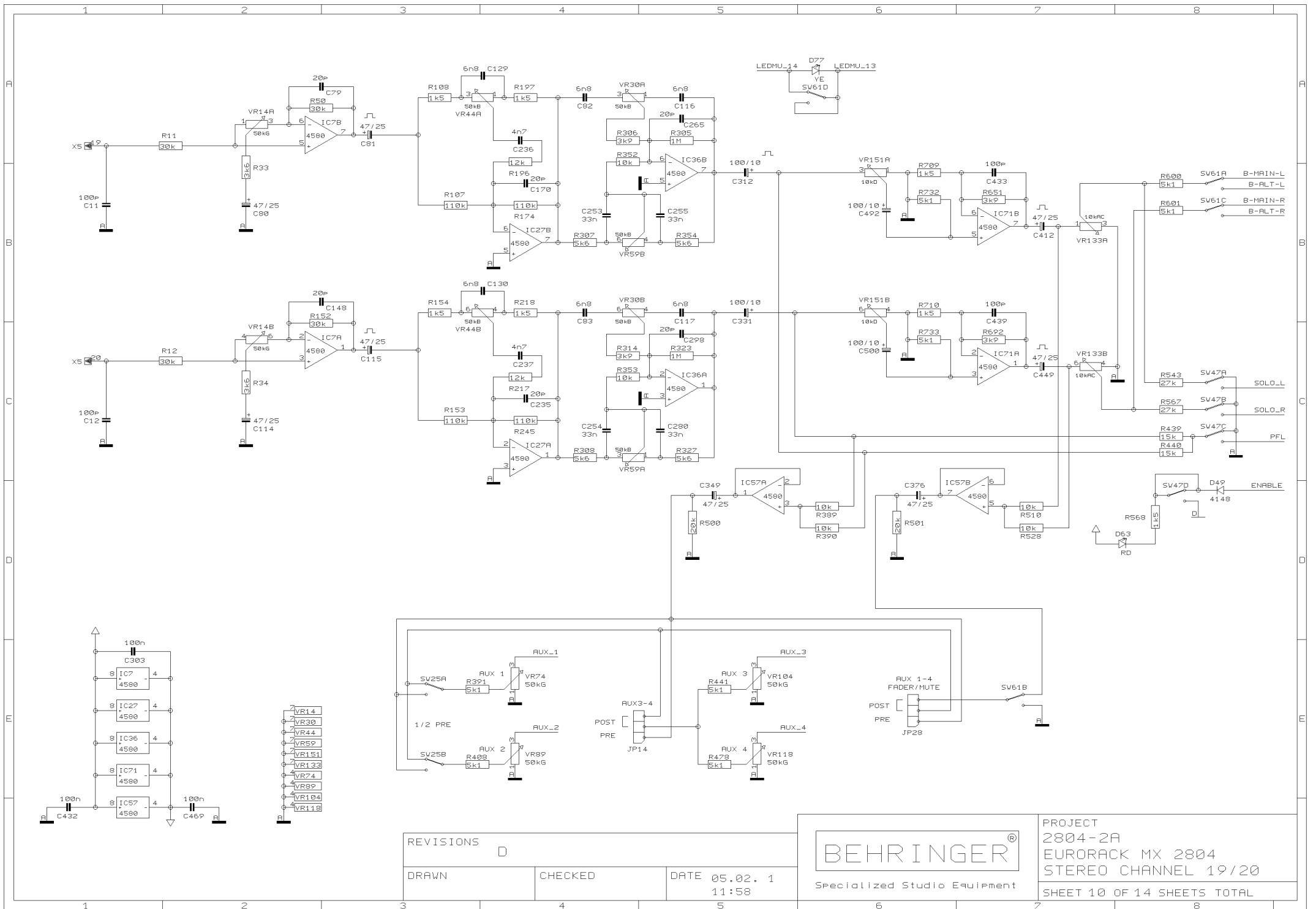
DRAWN

CHECKED

DATE 05.02. 1
11:58



PROJECT
2804-2A
EURORACK MX 2804
STEREO CHANNEL 17/18
SHEET 9 OF 14 SHEETS TOTAL



REVISIONS

D

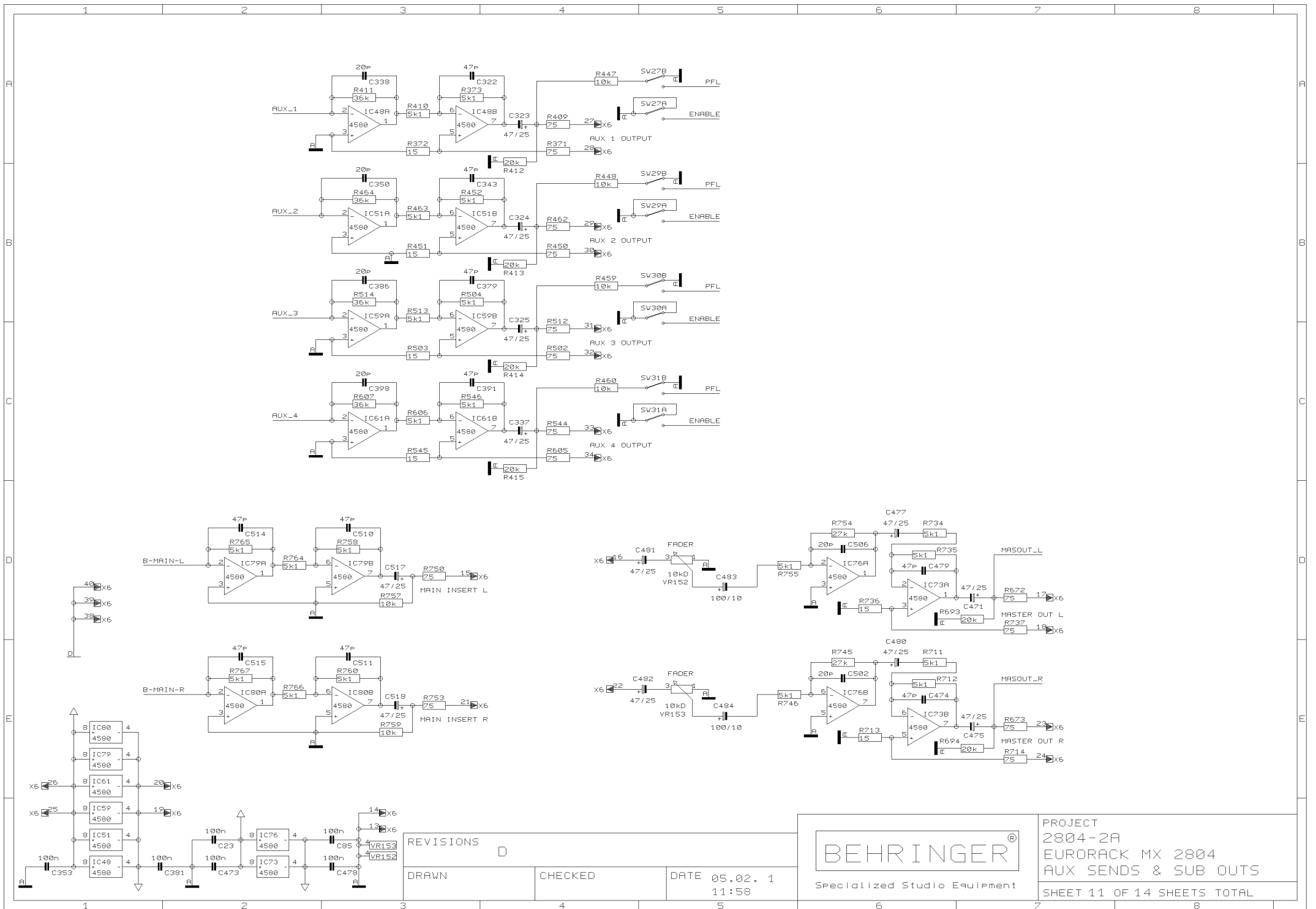
DRAWN

CHECKED

DATE 05.02. 1
11:58



PROJECT
2804-2A
EURORACK MX 2804
STEREO CHANNEL 19/20
SHEET 10 OF 14 SHEETS TOTAL

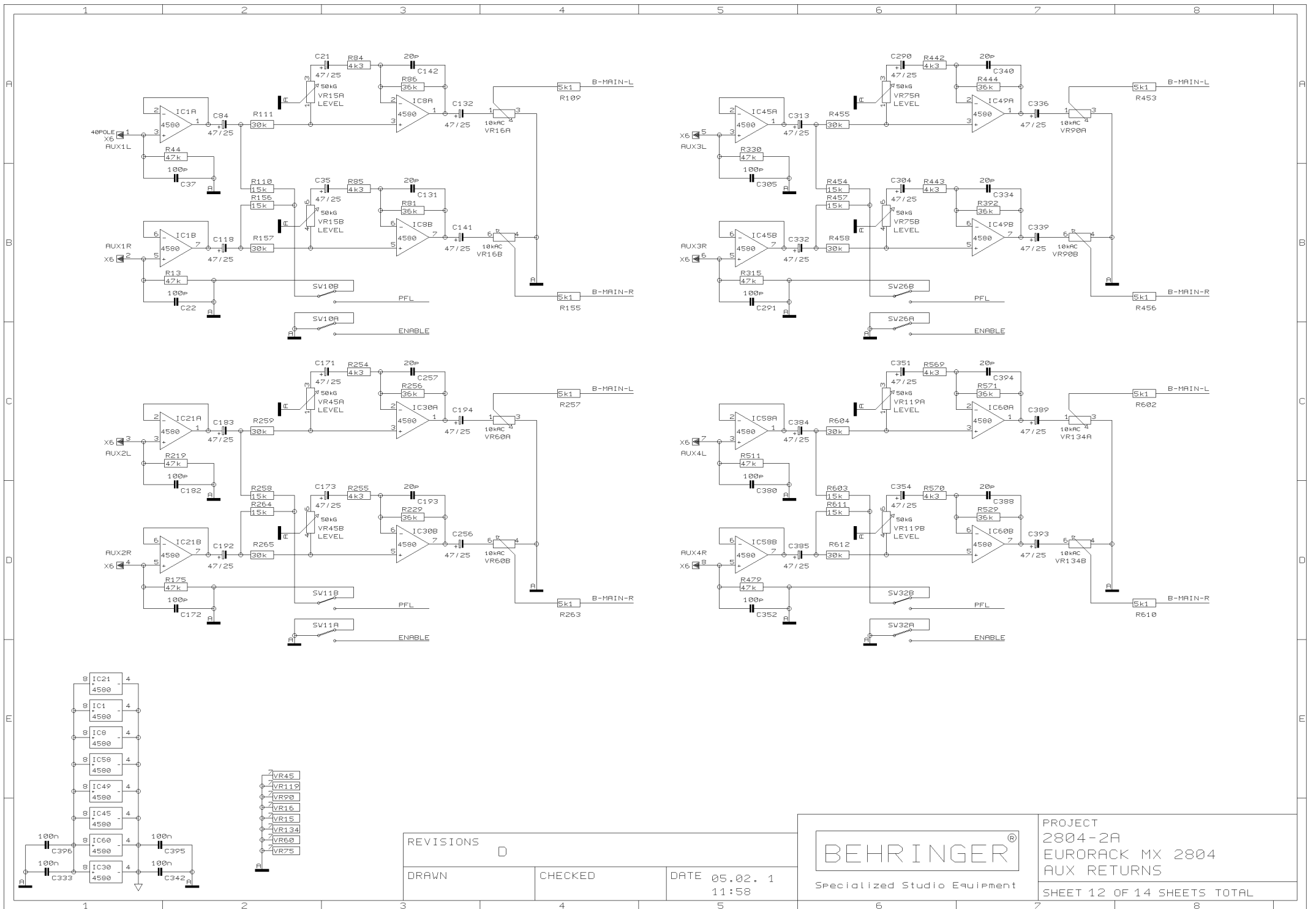


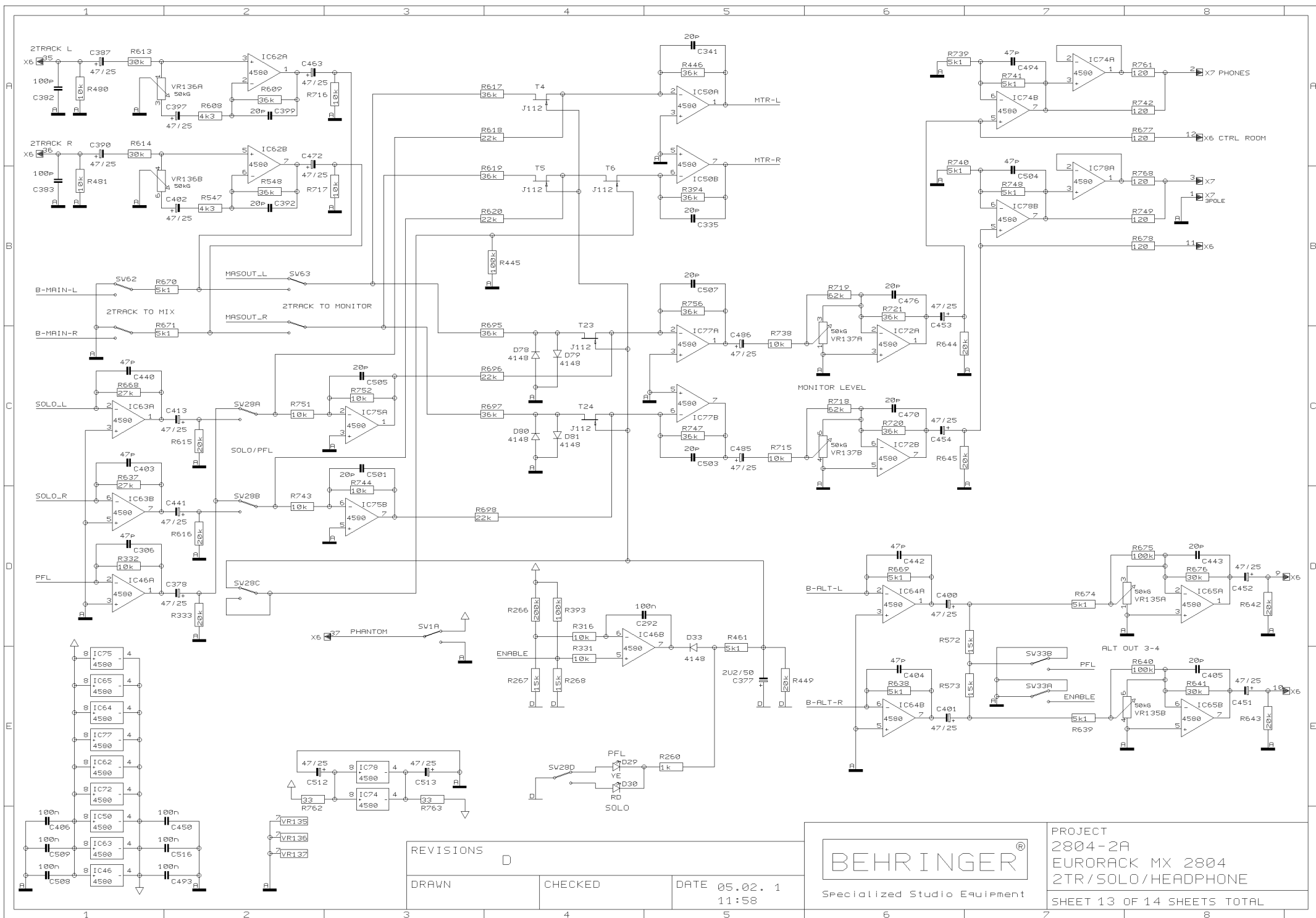
REVISIONS

DRAWN	CHECKED	DATE 05.02. 11:58
-------	---------	-------------------



PROJECT
2804-2A
EURORACK MX 2804
AUX SENDS & SUB OUTS
SHEET 11 OF 14 SHEETS TOTAL

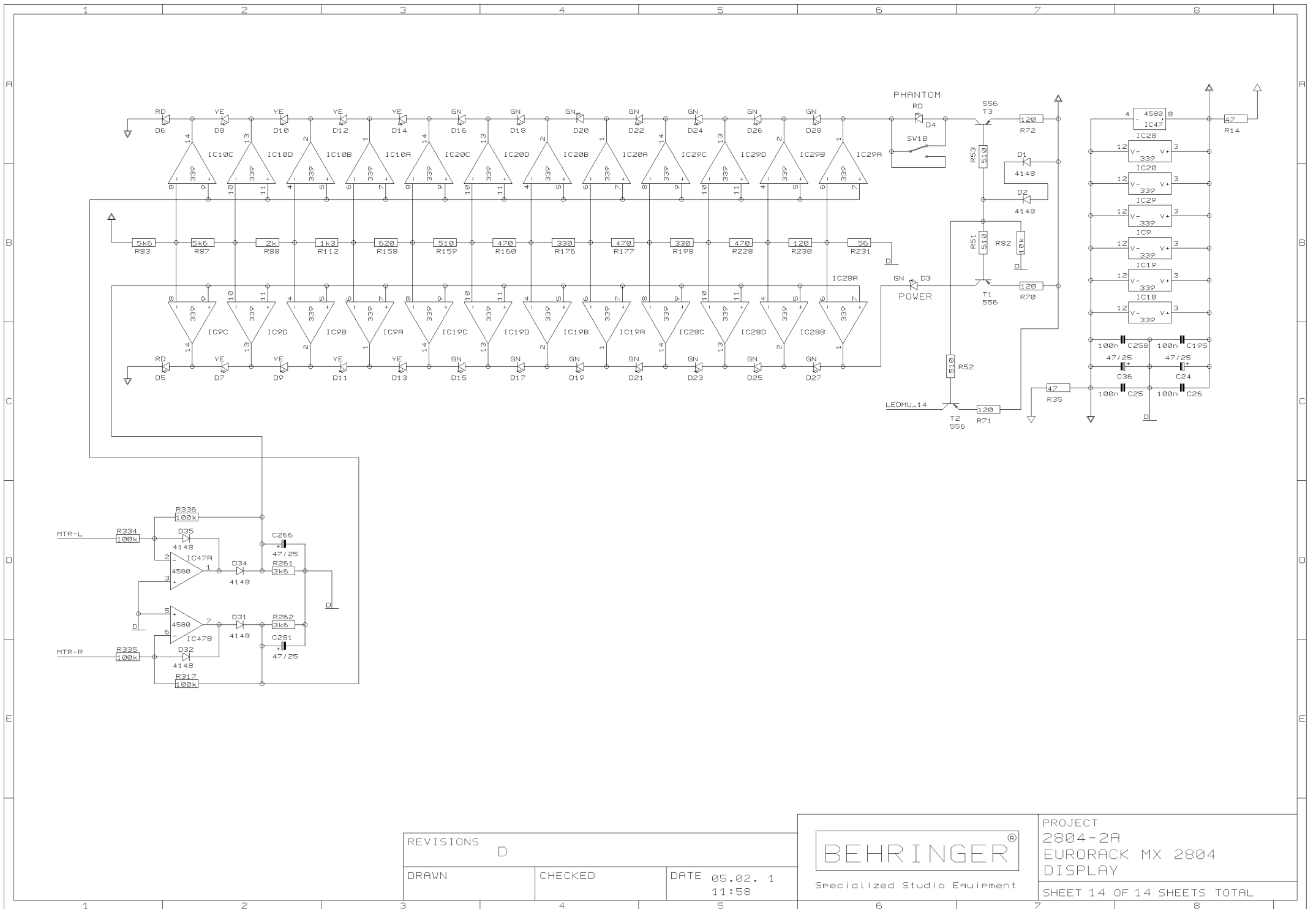




REVISIONS		
D		
DRAWN	CHECKED	DATE 05.02. 11:58



PROJECT
2804-2A
EURORACK MX 2804
2TR/SOLO/HEADPHONE
SHEET 13 OF 14 SHEETS TOTAL



REVISIONS

D

DRAWN

CHECKED

DATE 05.02. 1
11:58



PROJECT
2804-2A
EURORACK MX 2804
DISPLAY

SHEET 14 OF 14 SHEETS TOTAL