

REVISIONS

D

DRAWN R

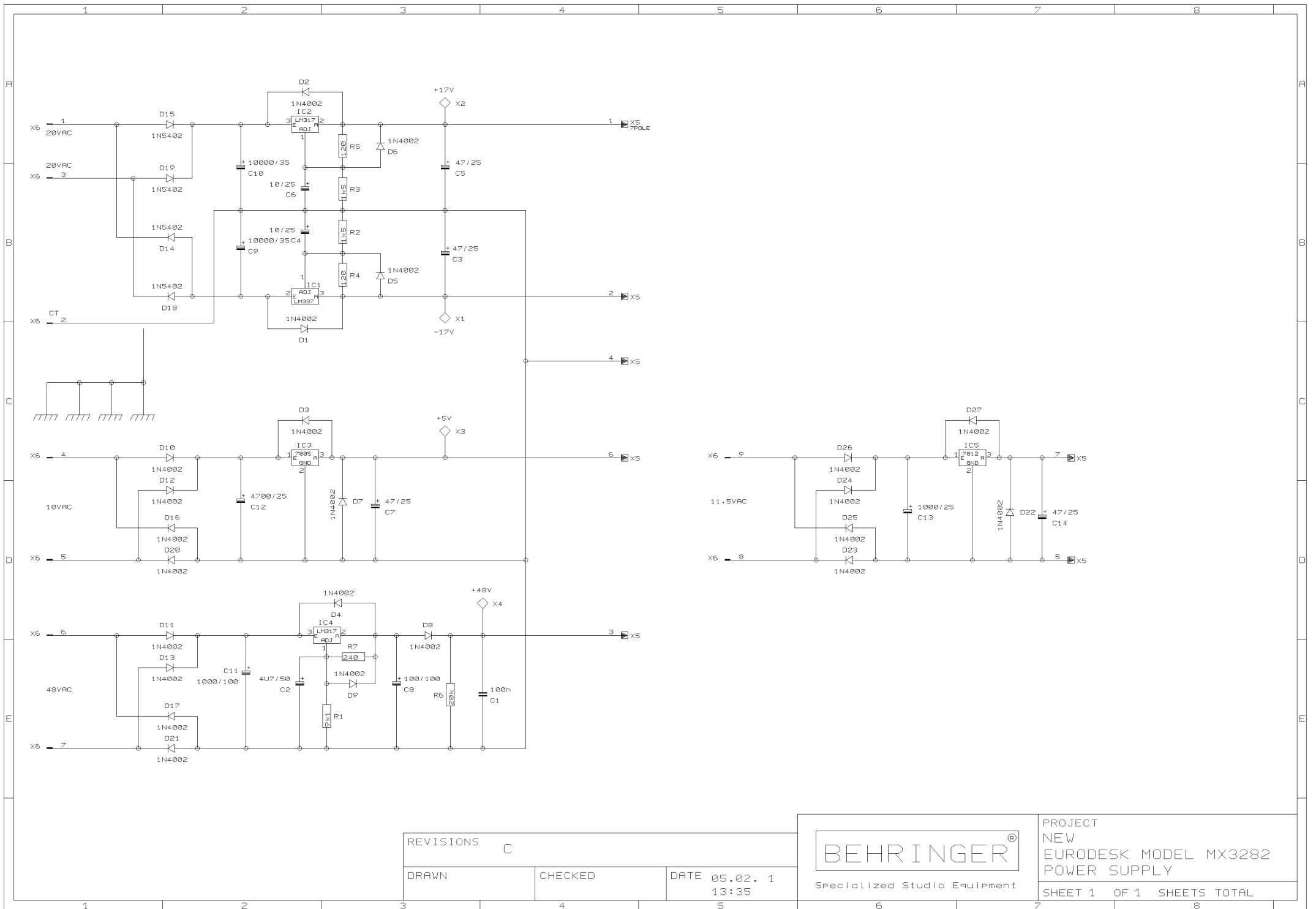
CHECKED R

DATE 05.02. 1
13:34



PROJECT
OUT3
EURODESK MX 3282
OUTPUT BOARD

SHEET 1 OF 1 SHEETS TOTAL



REVISIONS C

DRAWN

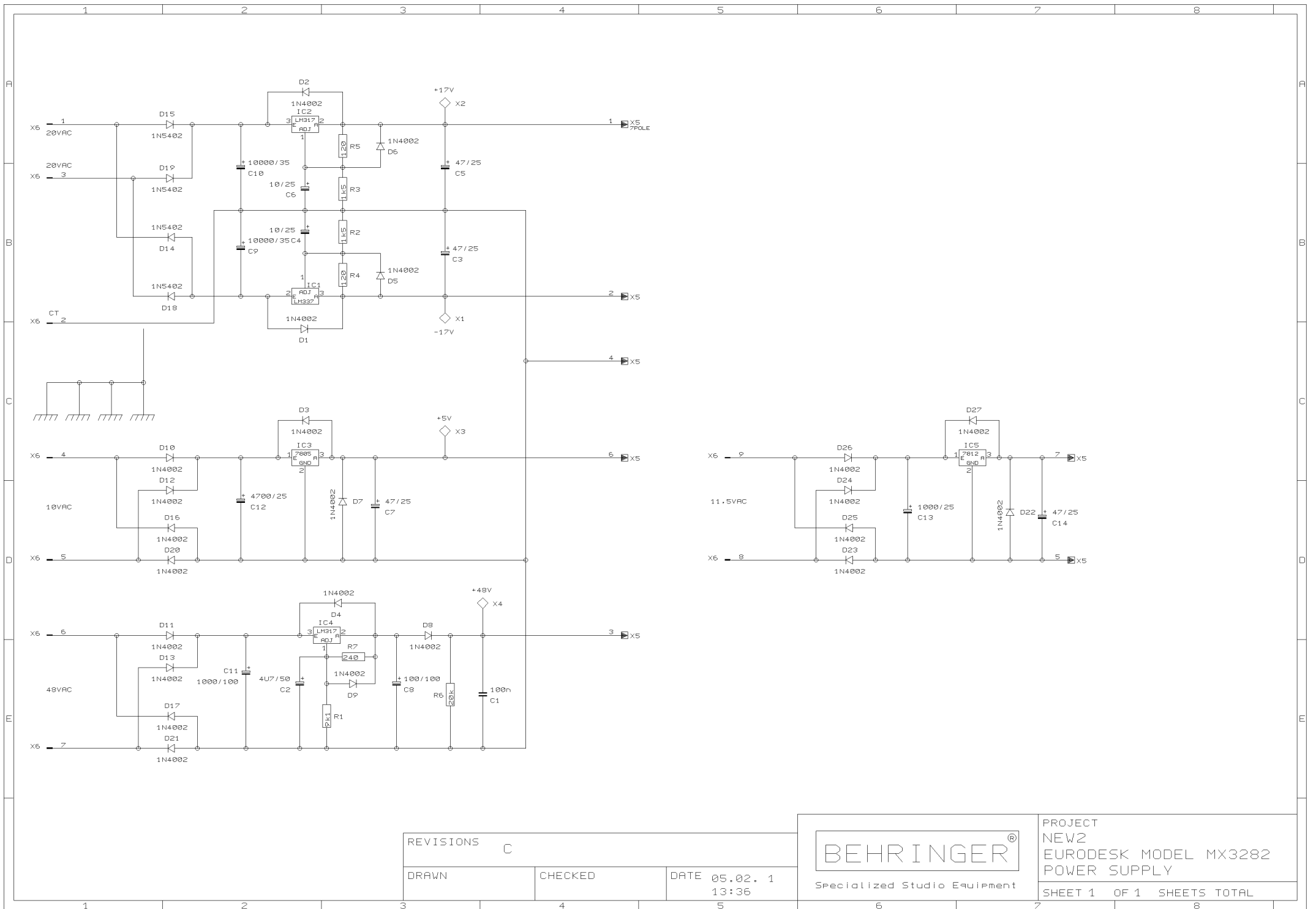
CHECKED

DATE 05.02. 1
13:35



PROJECT
NEW
EURODESK MODEL MX3282
POWER SUPPLY

SHEET 1 OF 1 SHEETS TOTAL



REVISIONS C

DRAWN

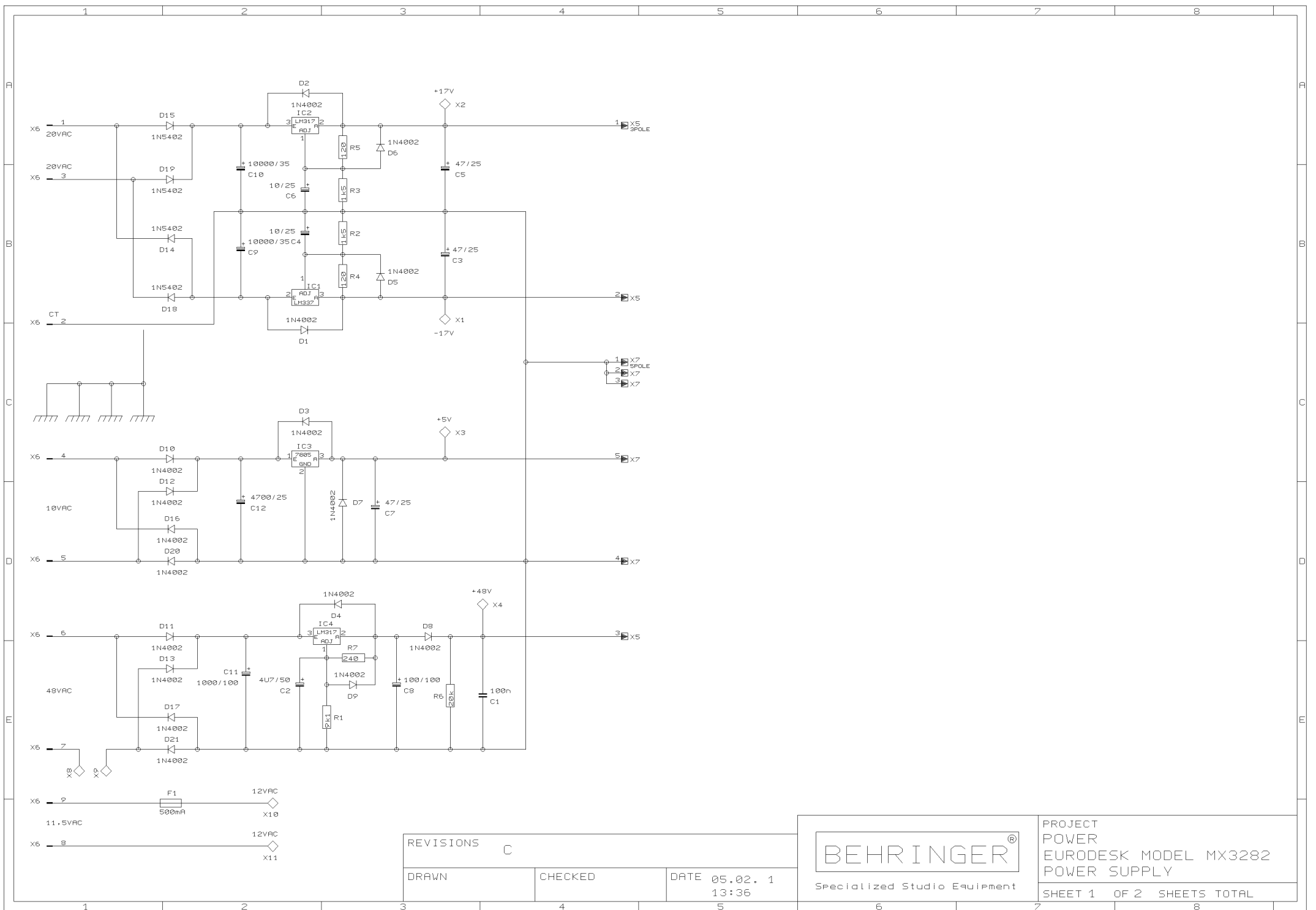
CHECKED

DATE 05.02. 1
13:36



PROJECT
NEW2
EURODESK MODEL MX3282
POWER SUPPLY

SHEET 1 OF 1 SHEETS TOTAL



REVISIONS C

DRAWN

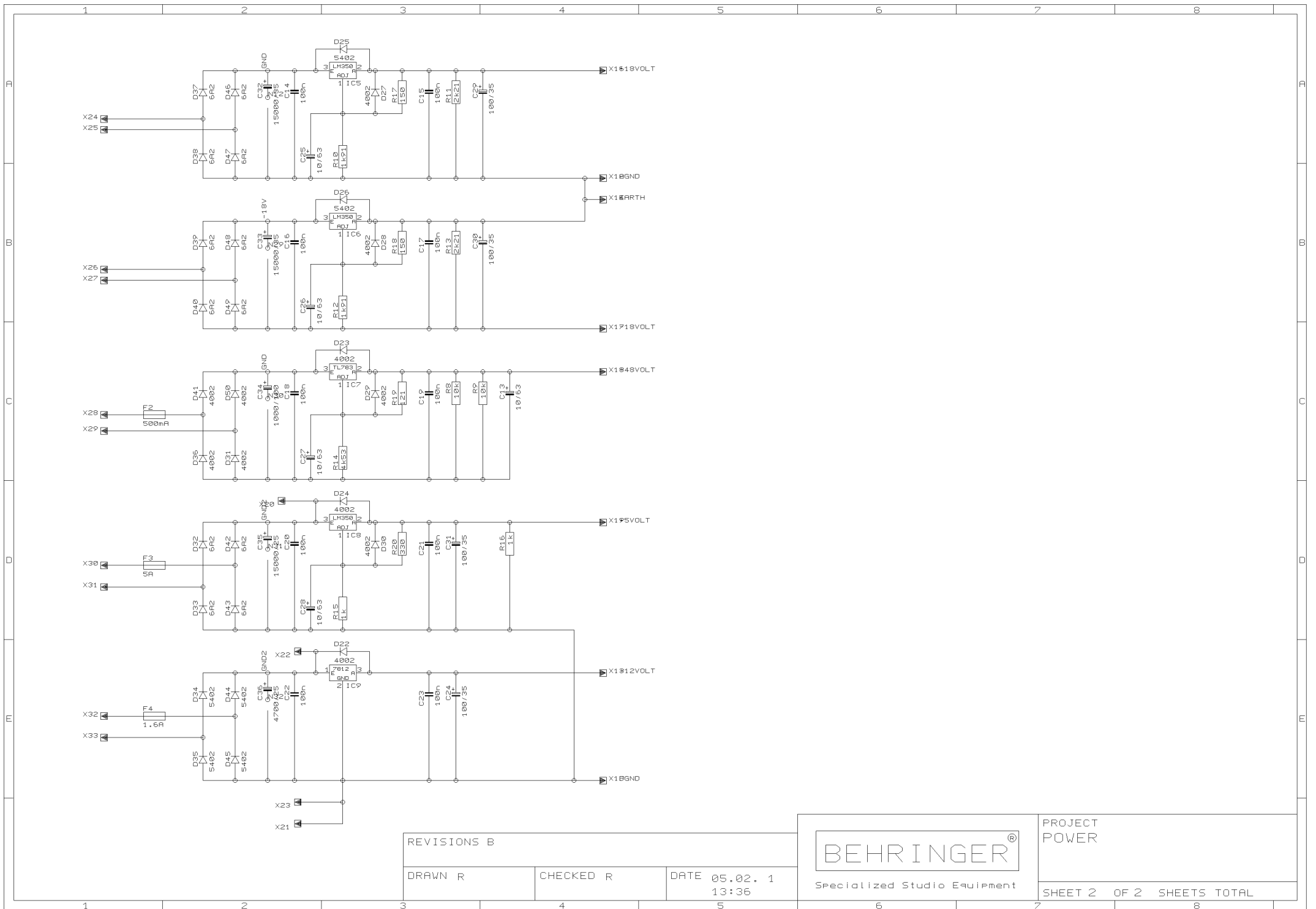
CHECKED

DATE 05.02. 1
13:36



PROJECT
POWER
EURODESK MODEL MX3282
POWER SUPPLY

SHEET 1 OF 2 SHEETS TOTAL



REVISIONS B

DRAWN R

CHECKED R

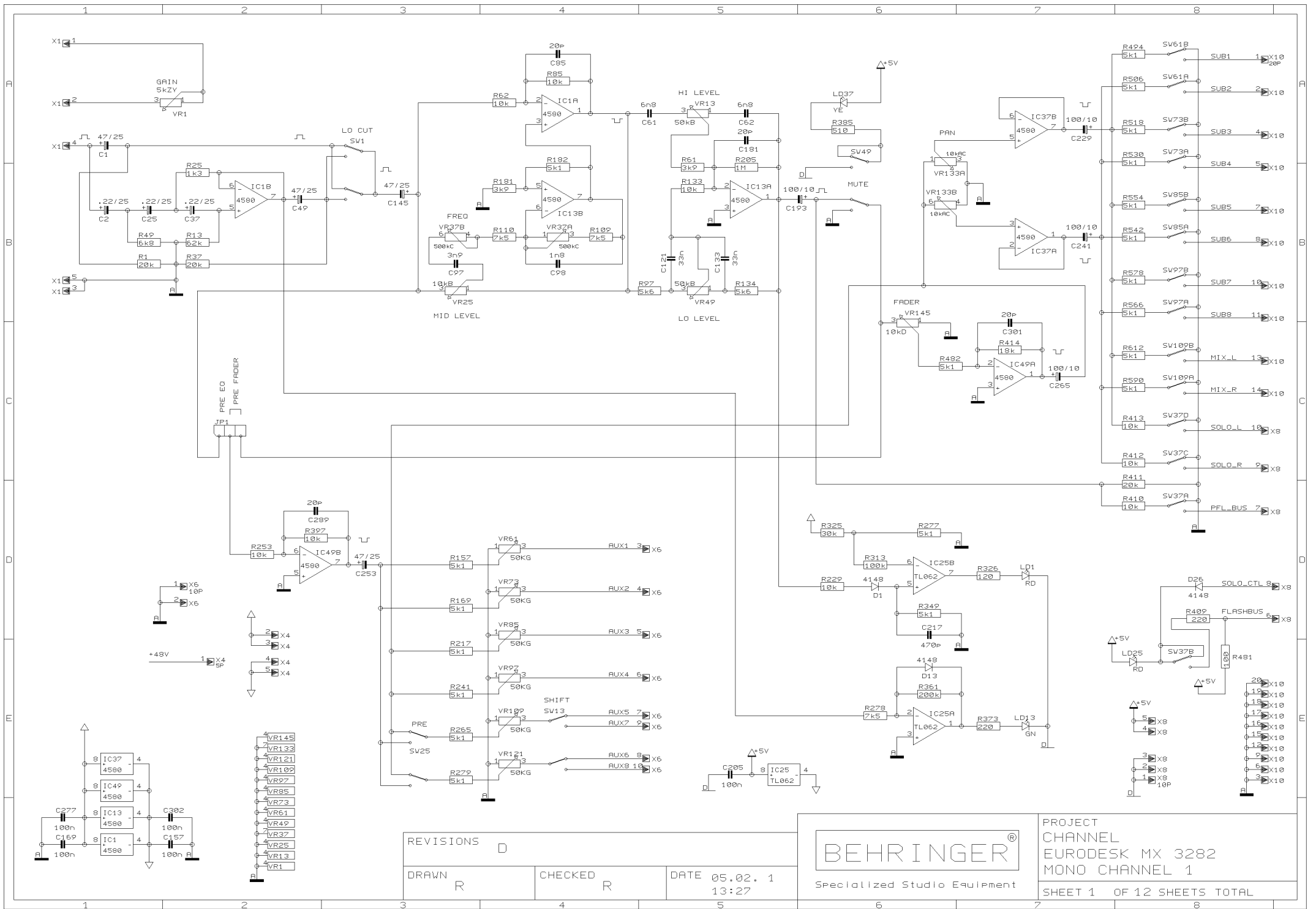
DATE 05.02. 1
13:36

BEHRINGER®

Specialized Studio Equipment

PROJECT
POWER

SHEET 2 OF 2 SHEETS TOTAL



REVISIONS D

DRAWN R

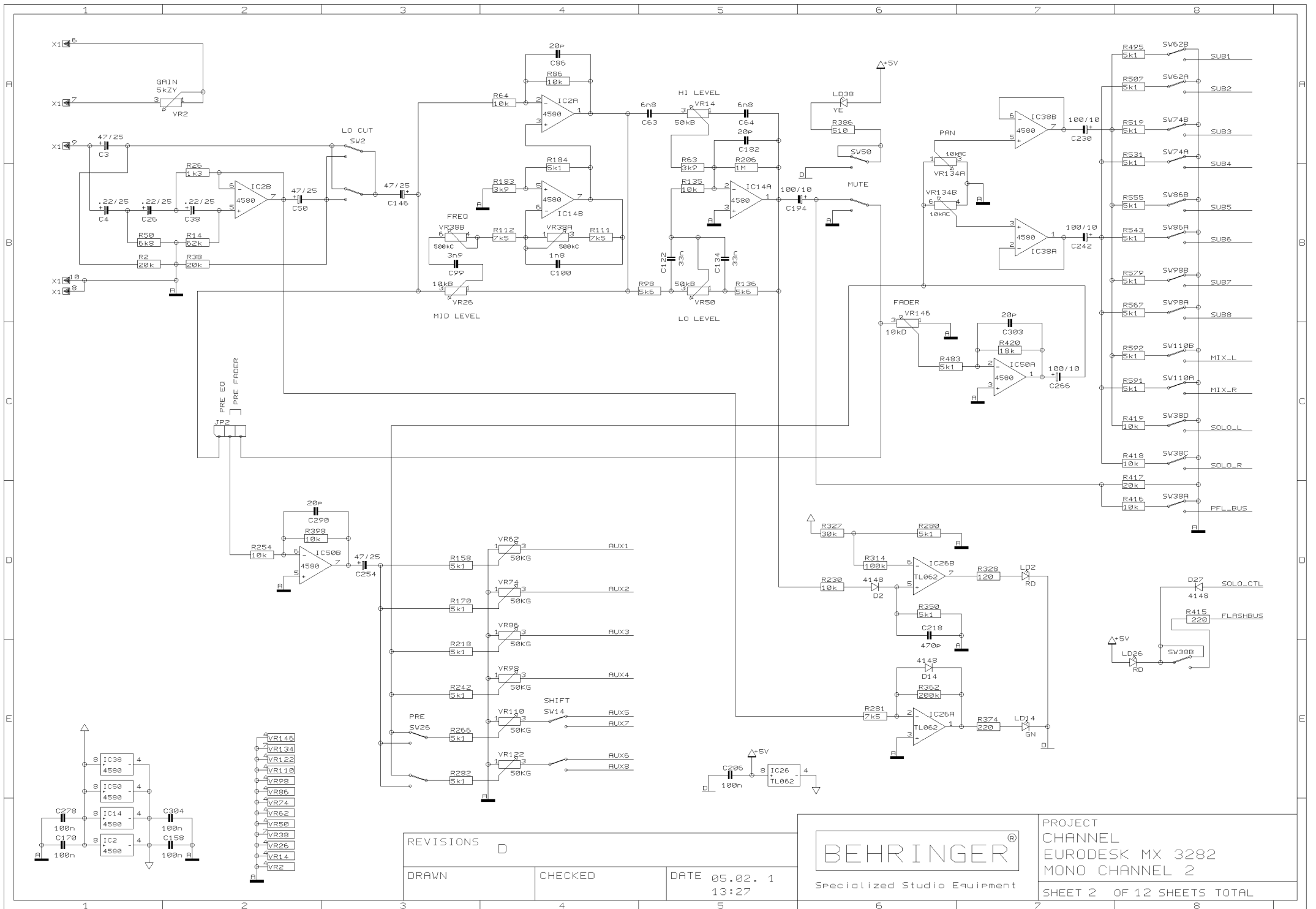
CHECKED R

DATE 05.02. 1
13:27



PROJECT
CHANNEL
EURODESK MX 3282
MONO CHANNEL 1

SHEET 1 OF 12 SHEETS TOTAL



REVISIONS D

DRAWN

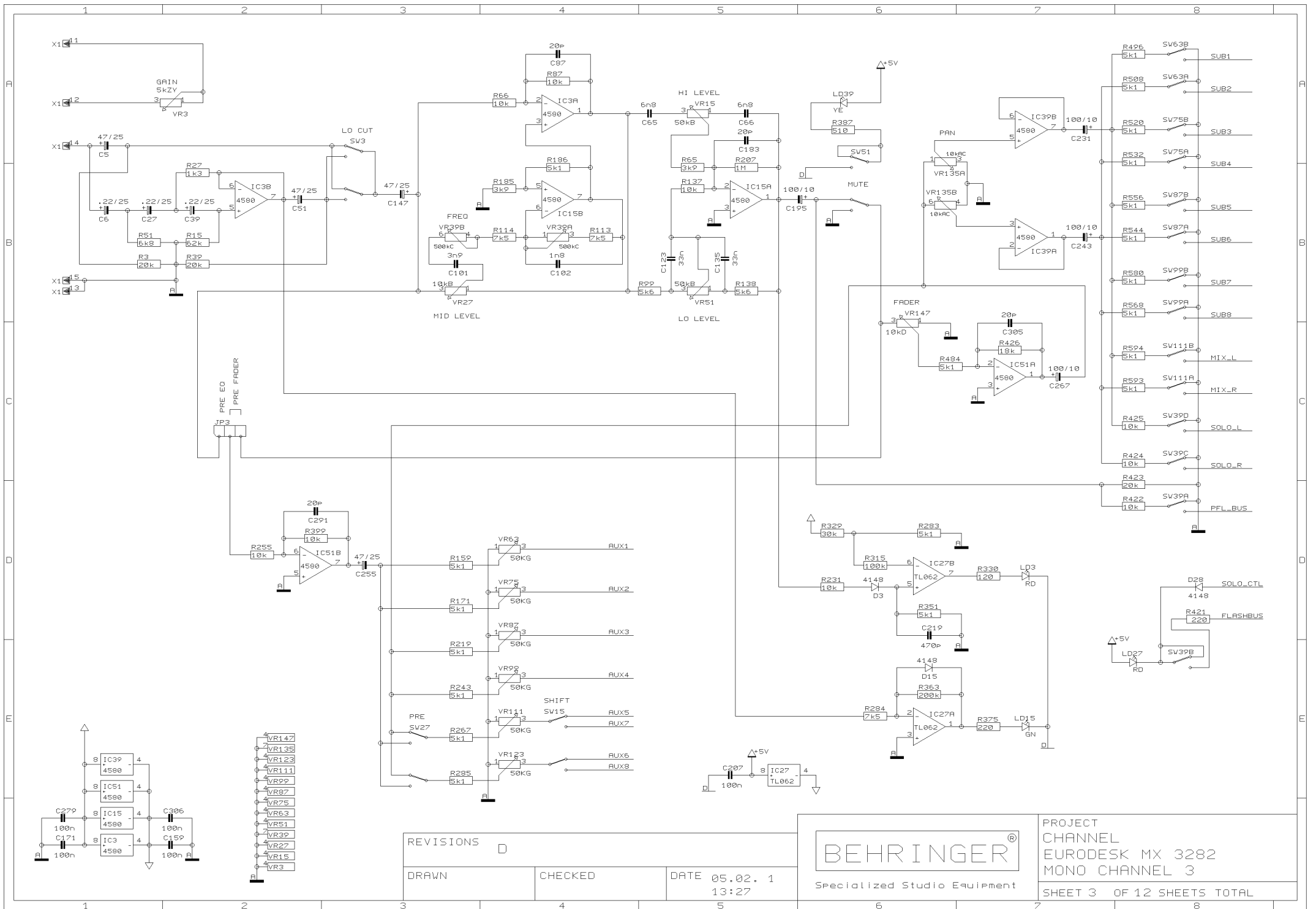
CHECKED

DATE 05.02. 1
13:27



PROJECT
CHANNEL
EURODESK MX 3282
MONO CHANNEL 2

SHEET 2 OF 12 SHEETS TOTAL



REVISIONS D

DRAWN

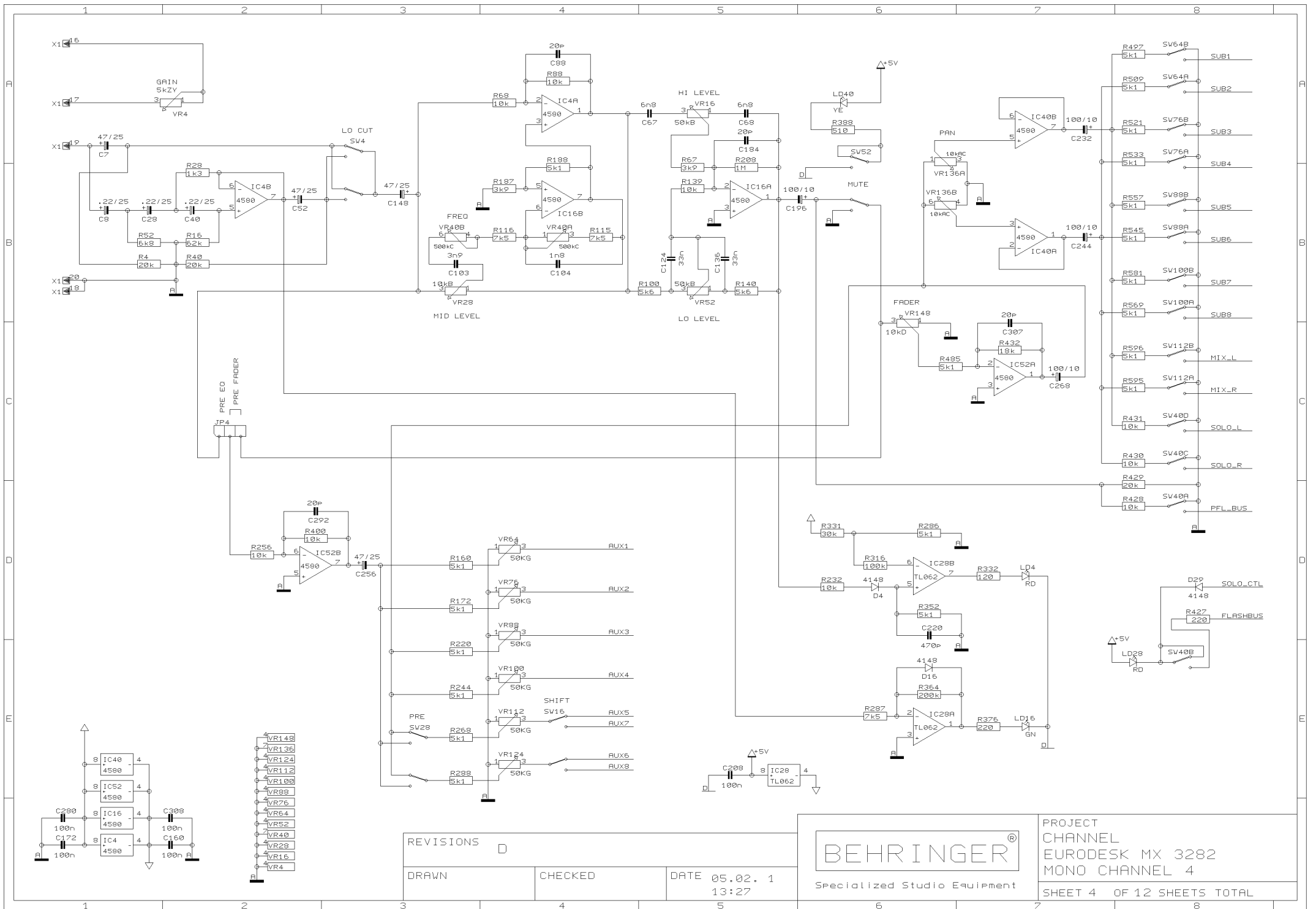
CHECKED

DATE 05.02. 1
13:27



PROJECT
CHANNEL
EURODESK MX 3282
MONO CHANNEL 3

SHEET 3 OF 12 SHEETS TOTAL



REVISIONS

DRAWN

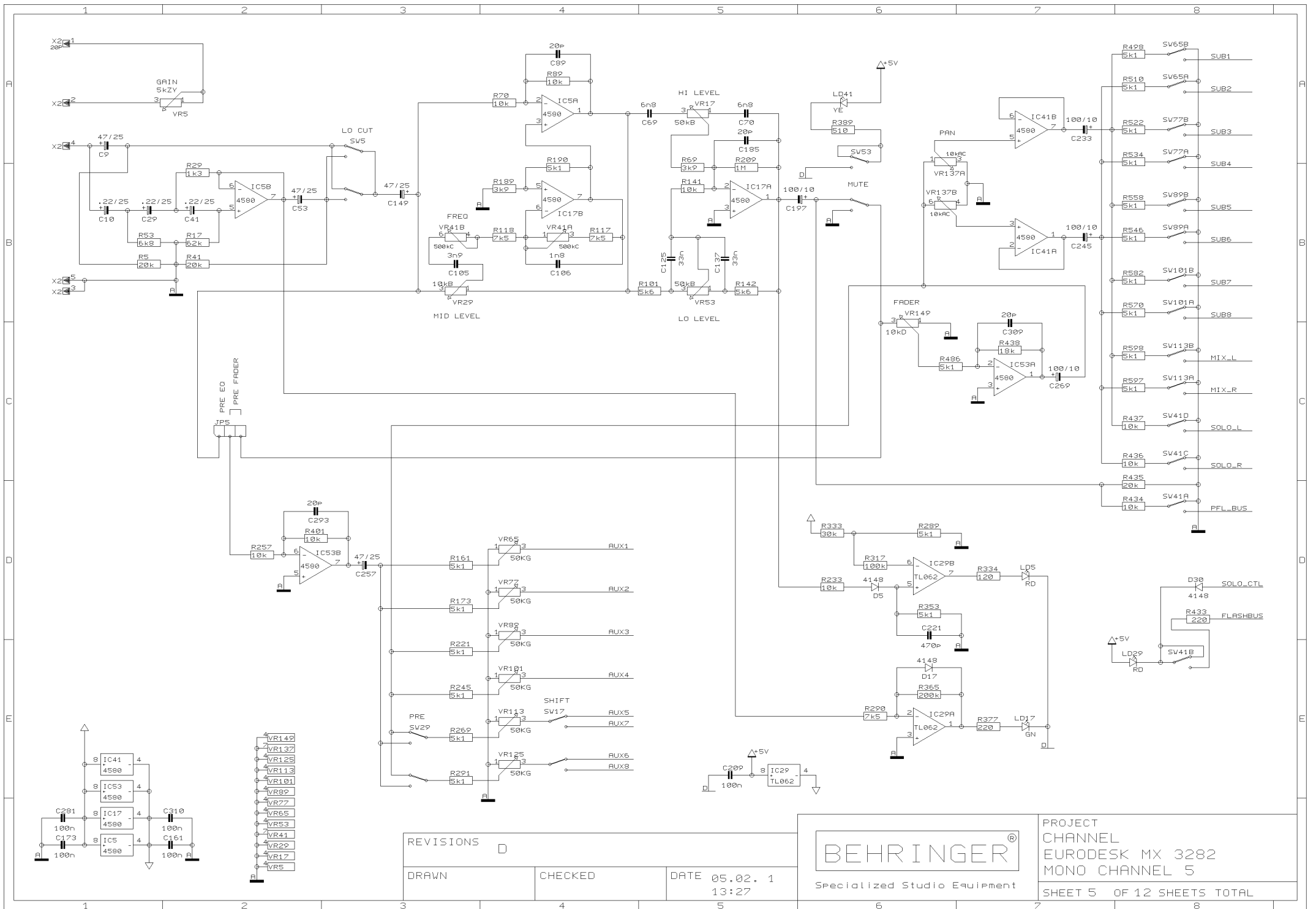
CHECKED

DATE 05.02. 1
13:27



PROJECT
CHANNEL
EURODESK MX 3282
MONO CHANNEL 4

SHEET 4 OF 12 SHEETS TOTAL



REVISIONS D

DRAWN

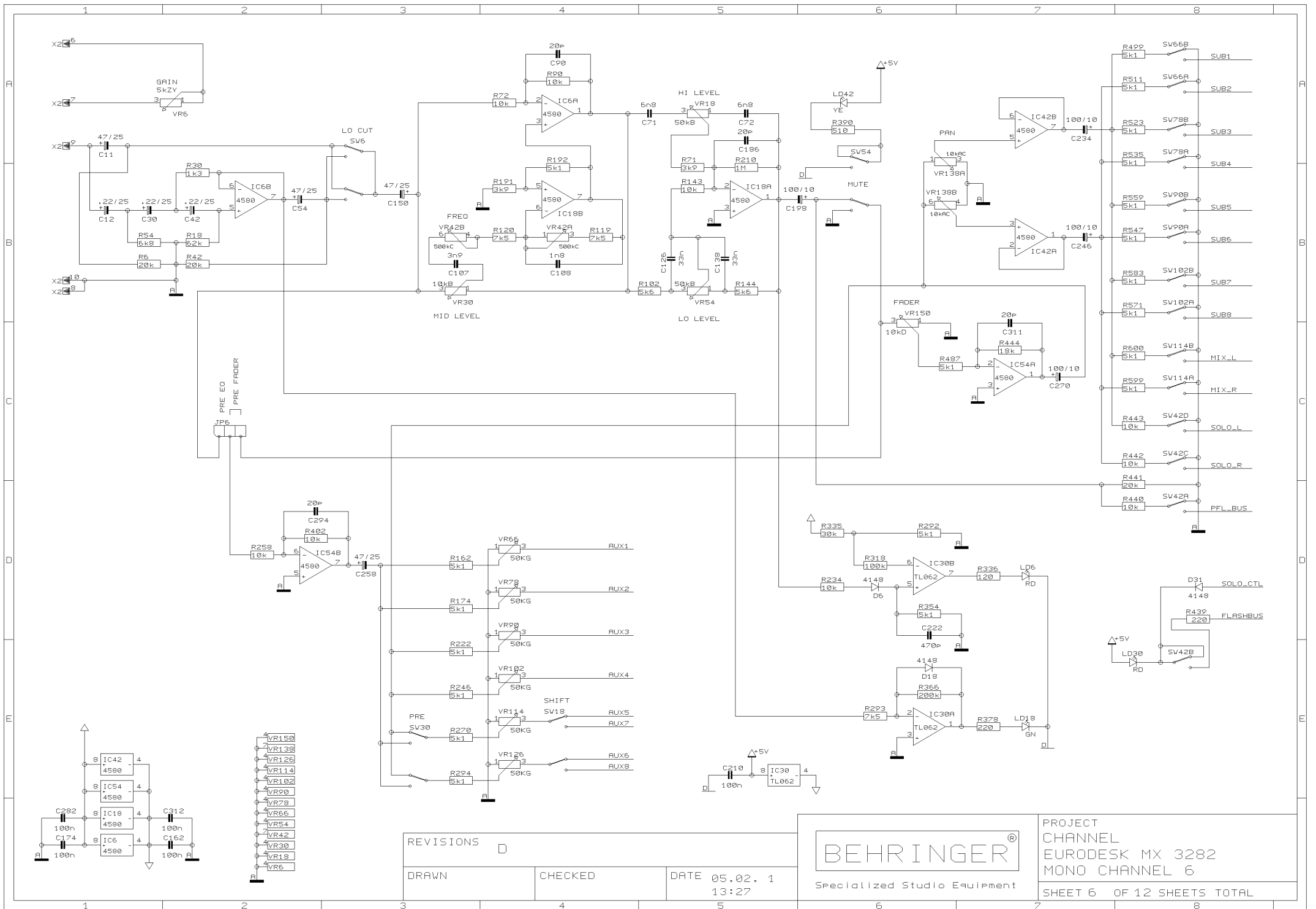
CHECKED

DATE 05.02. 1
13:27



PROJECT
CHANNEL
EURODESK MX 3282
MONO CHANNEL 5

SHEET 5 OF 12 SHEETS TOTAL



REVISIONS D

DRAWN

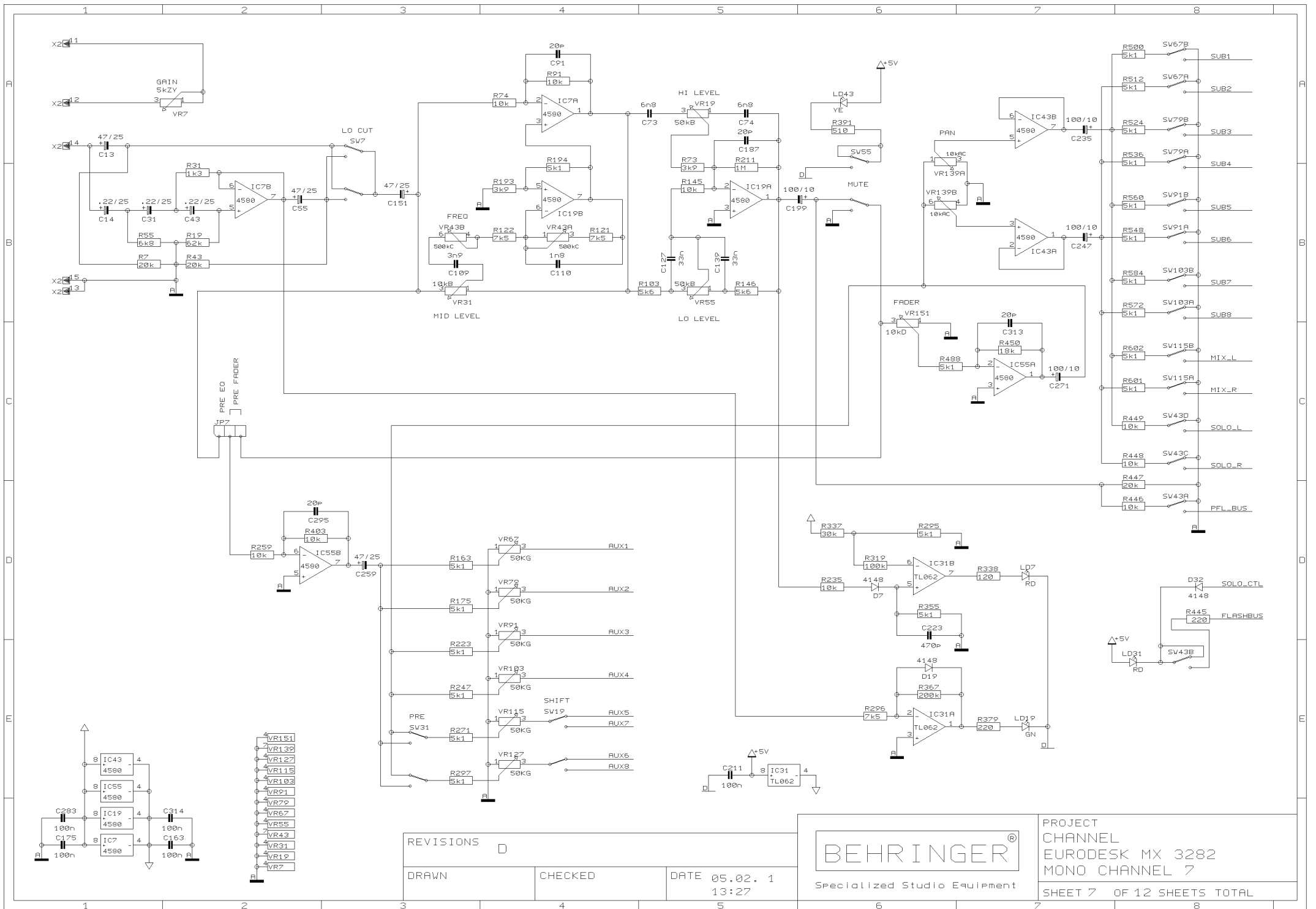
CHECKED

DATE 05.02. 1
13:27



PROJECT
CHANNEL
EURODESK MX 3282
MONO CHANNEL 6

SHEET 6 OF 12 SHEETS TOTAL



REVISIONS D

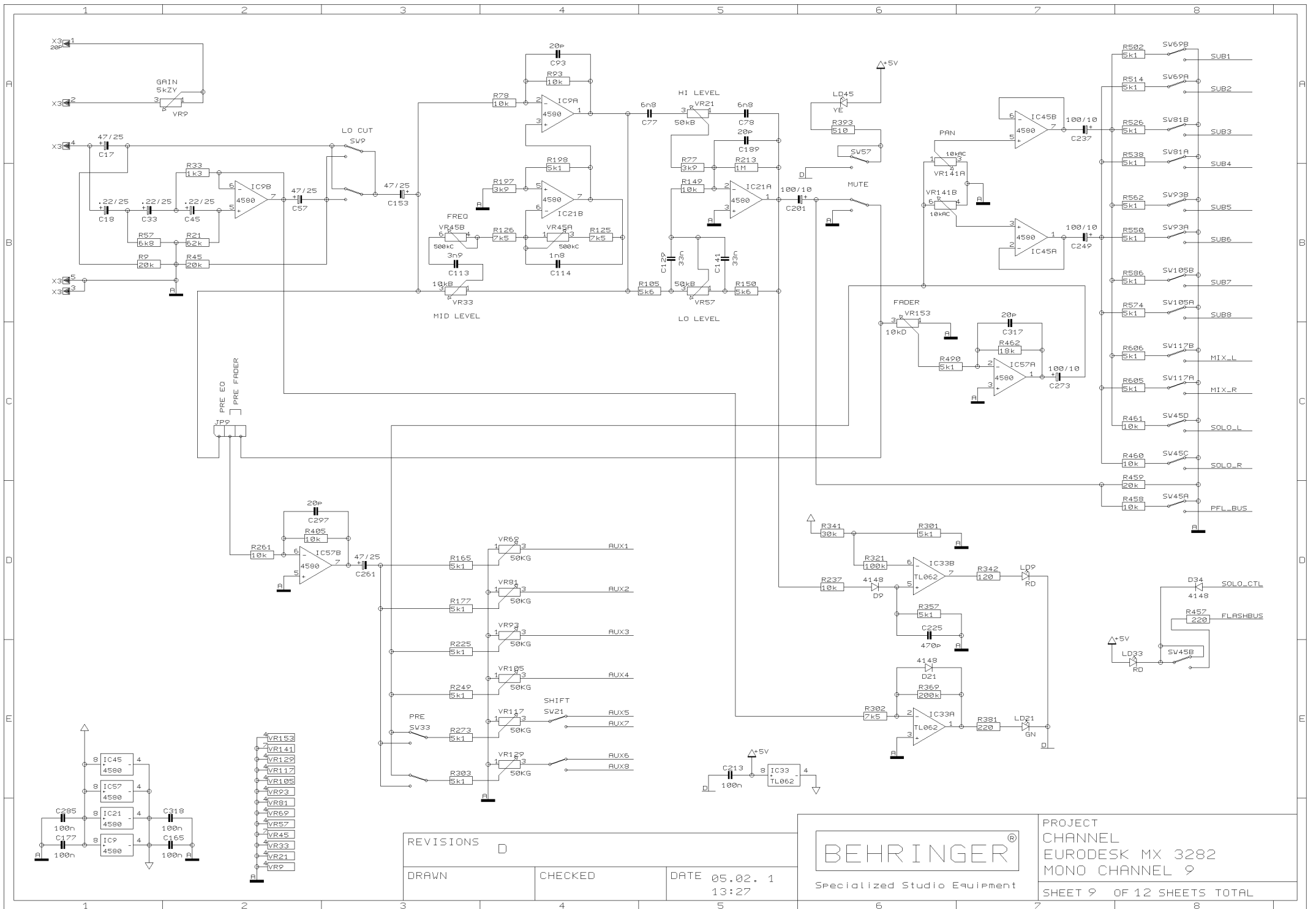
DRAWN

CHECKED

DATE 05.02. 1
13:27



PROJECT
CHANNEL
EURODESK MX 3282
MONO CHANNEL 7
SHEET 7 OF 12 SHEETS TOTAL



REVISIONS D

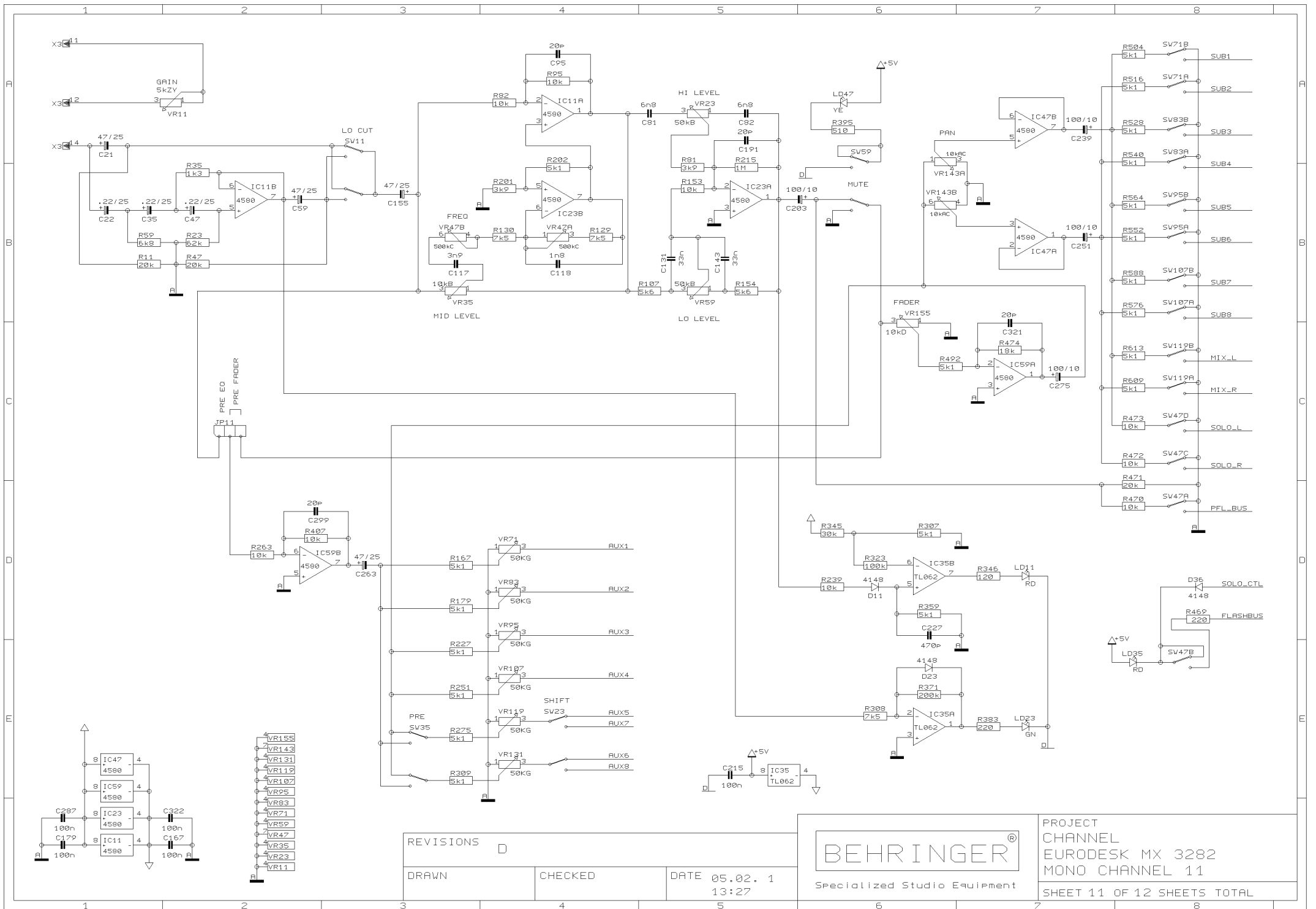
DRAWN

CHECKED

DATE 05.02. 1
13:27



PROJECT
CHANNEL
EURODESK MX 3282
MONO CHANNEL 9
SHEET 9 OF 12 SHEETS TOTAL



REVISIONS

DRAWN

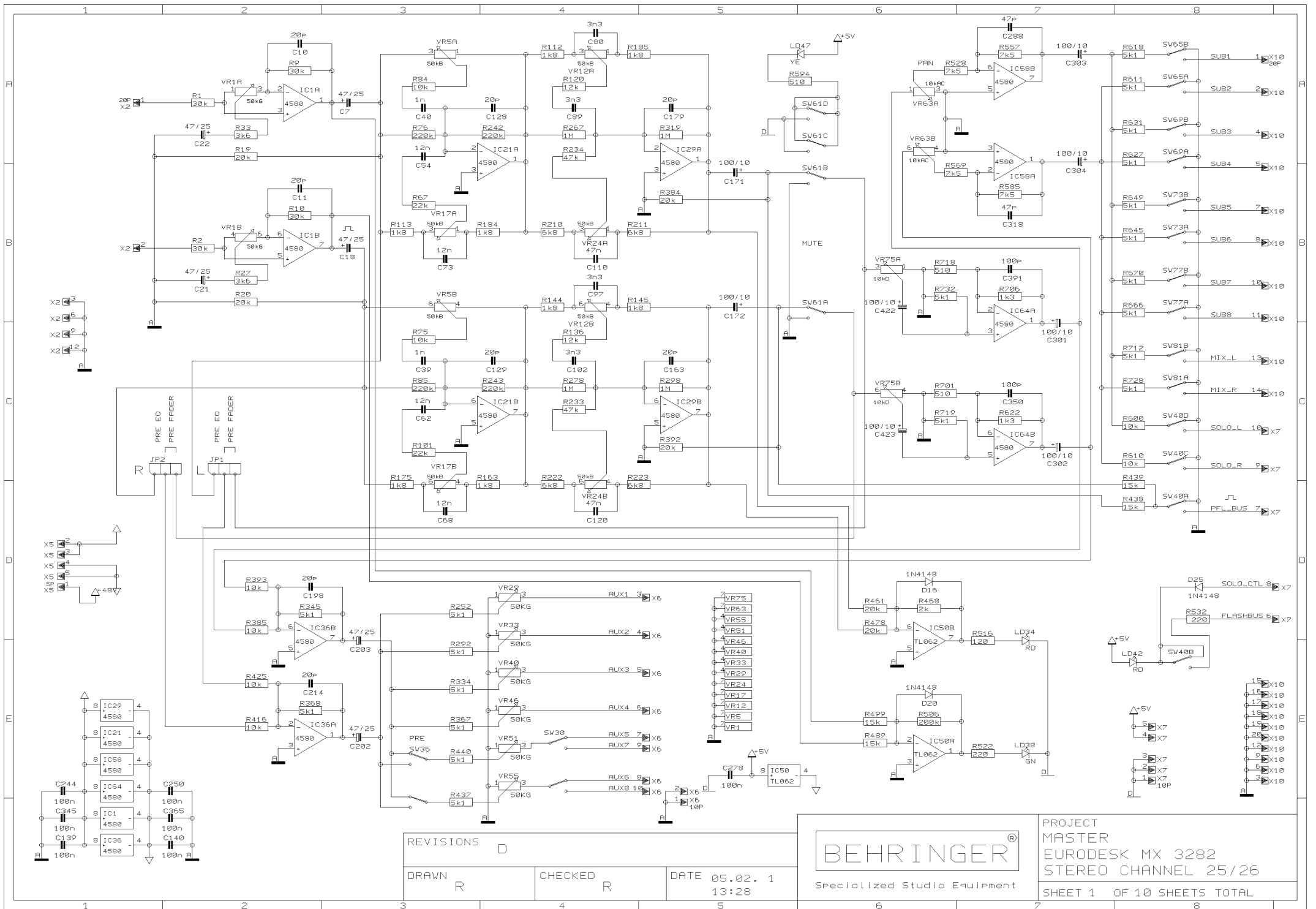
CHECKED

DATE 05.02. 1
13:27



PROJECT
CHANNEL
EURODESK MX 3282
MONO CHANNEL 11

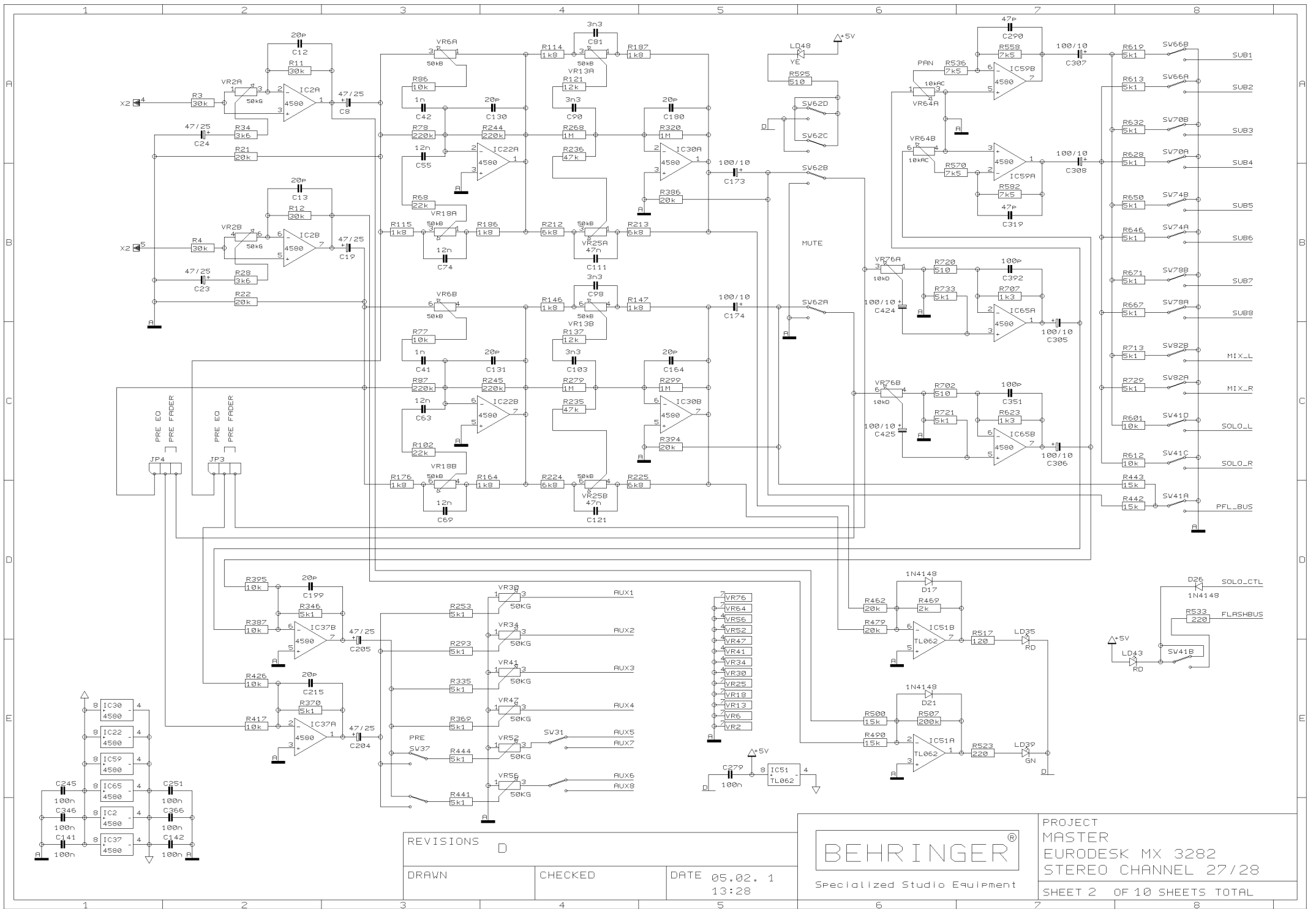
SHEET 11 OF 12 SHEETS TOTAL



REVISIONS		
D		
DRAWN	CHECKED	DATE
R	R	05.02. 1 13:28



PROJECT
 MASTER
 EURODESK MX 3282
 STEREO CHANNEL 25/26
 SHEET 1 OF 10 SHEETS TOTAL



REVISIONS D

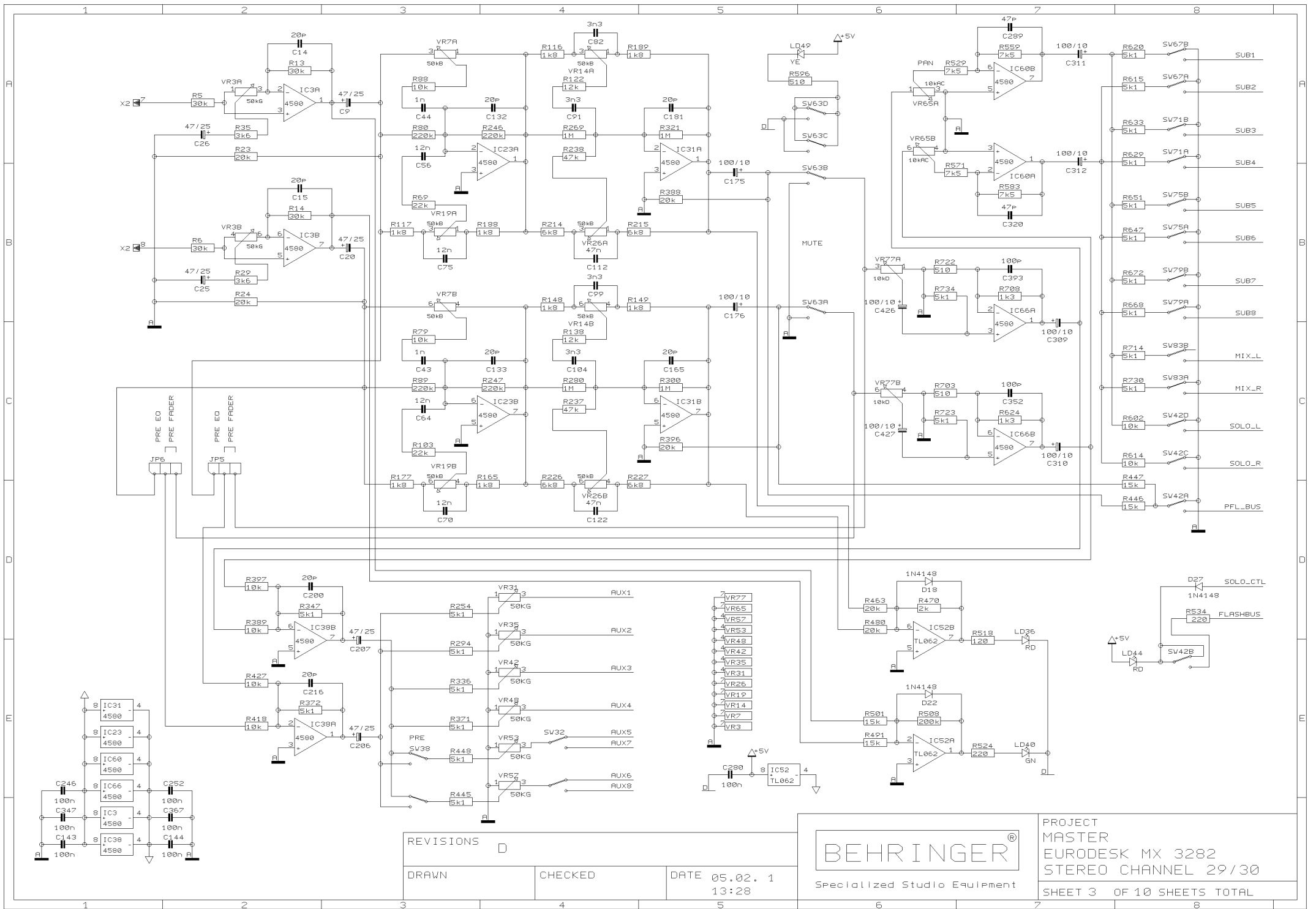
DRAWN

CHECKED

DATE 05.02. 1
13:28



PROJECT
MASTER
EURODESK MX 3282
STEREO CHANNEL 27/28
SHEET 2 OF 10 SHEETS TOTAL



REVISIONS

D

DRAWN

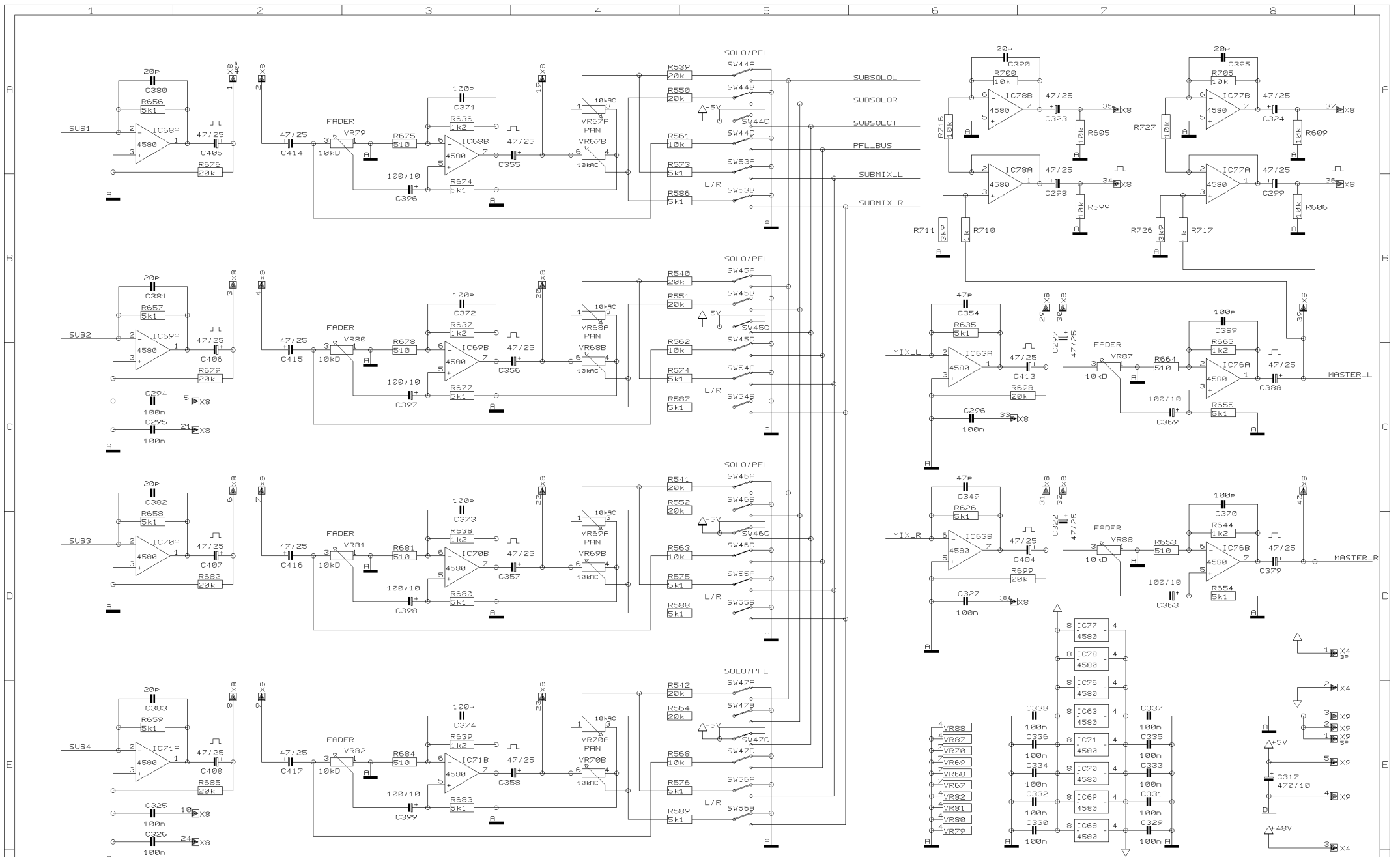
CHECKED

DATE 05.02. 1
13:28



Specialized Studio Equipment

PROJECT
MASTER
EURODESK MX 3282
STEREO CHANNEL 29/30
SHEET 3 OF 10 SHEETS TOTAL



REVISIONS D

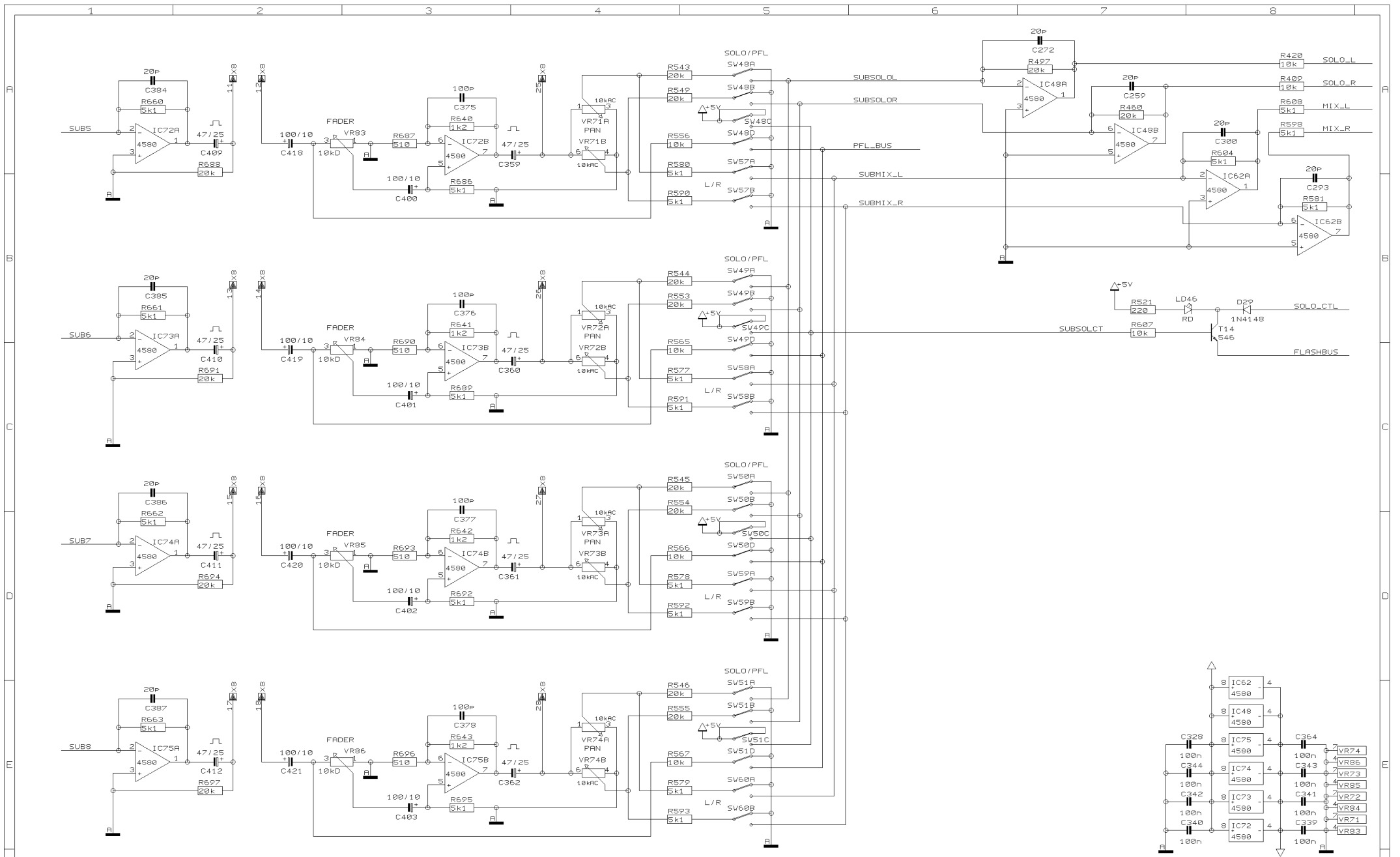
DRAWN

CHECKED

DATE 05.02. 1
13:28



PROJECT
MASTER
EURODESK MX 3282
SUBGROUPS 1-4 & MIX BUS
SHEET 5 OF 10 SHEETS TOTAL



REVISIONS

D

DRAWN

CHECKED

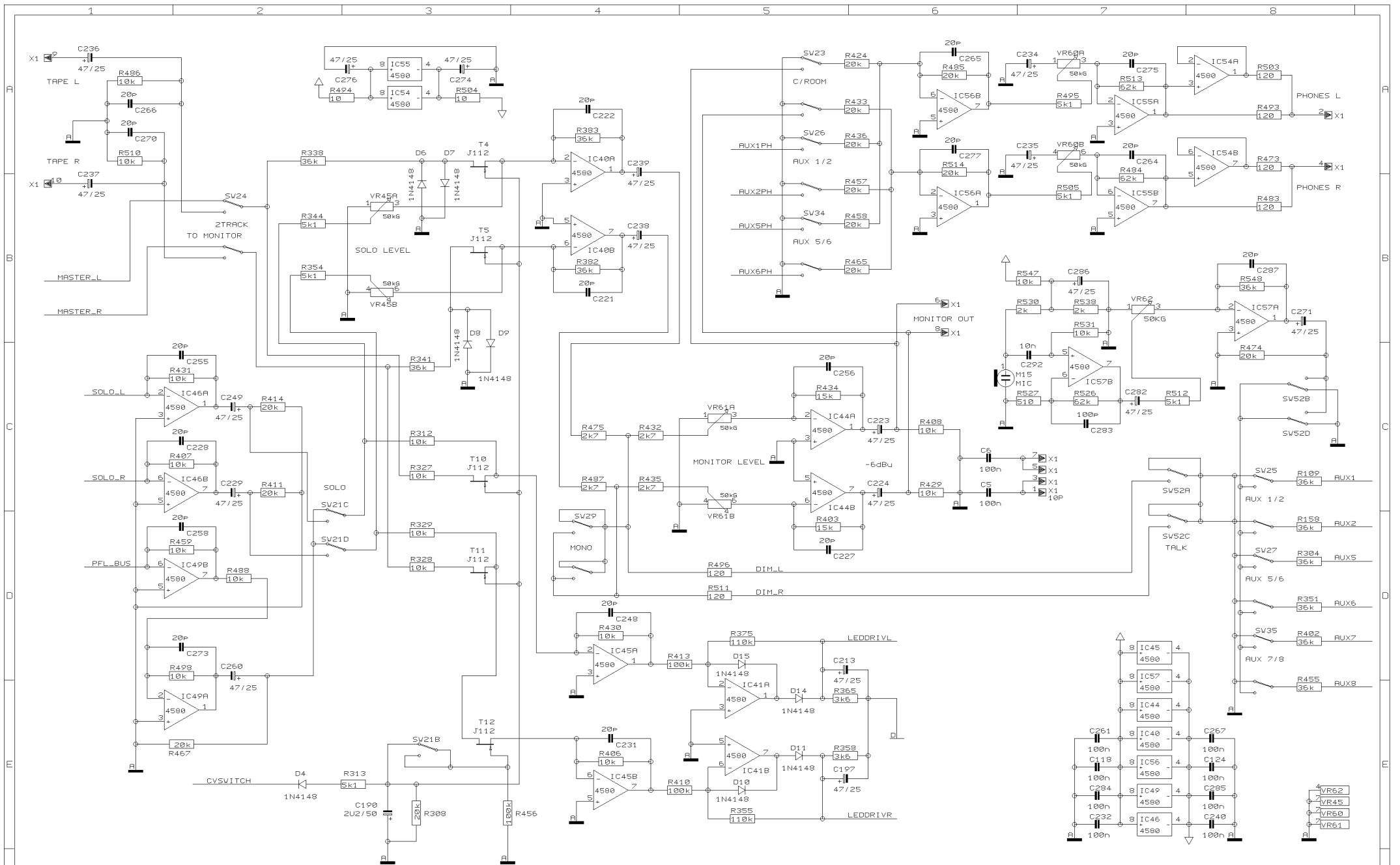
DATE 05.02. 1
13:28

BEHRINGER®

Specialized Studio Equipment

PROJECT
MASTER
EURODESK MX 3282
SUBGROUPS 5-8 BUS

SHEET 6 OF 10 SHEETS TOTAL



REVISIONS D

DRAWN

CHECKED

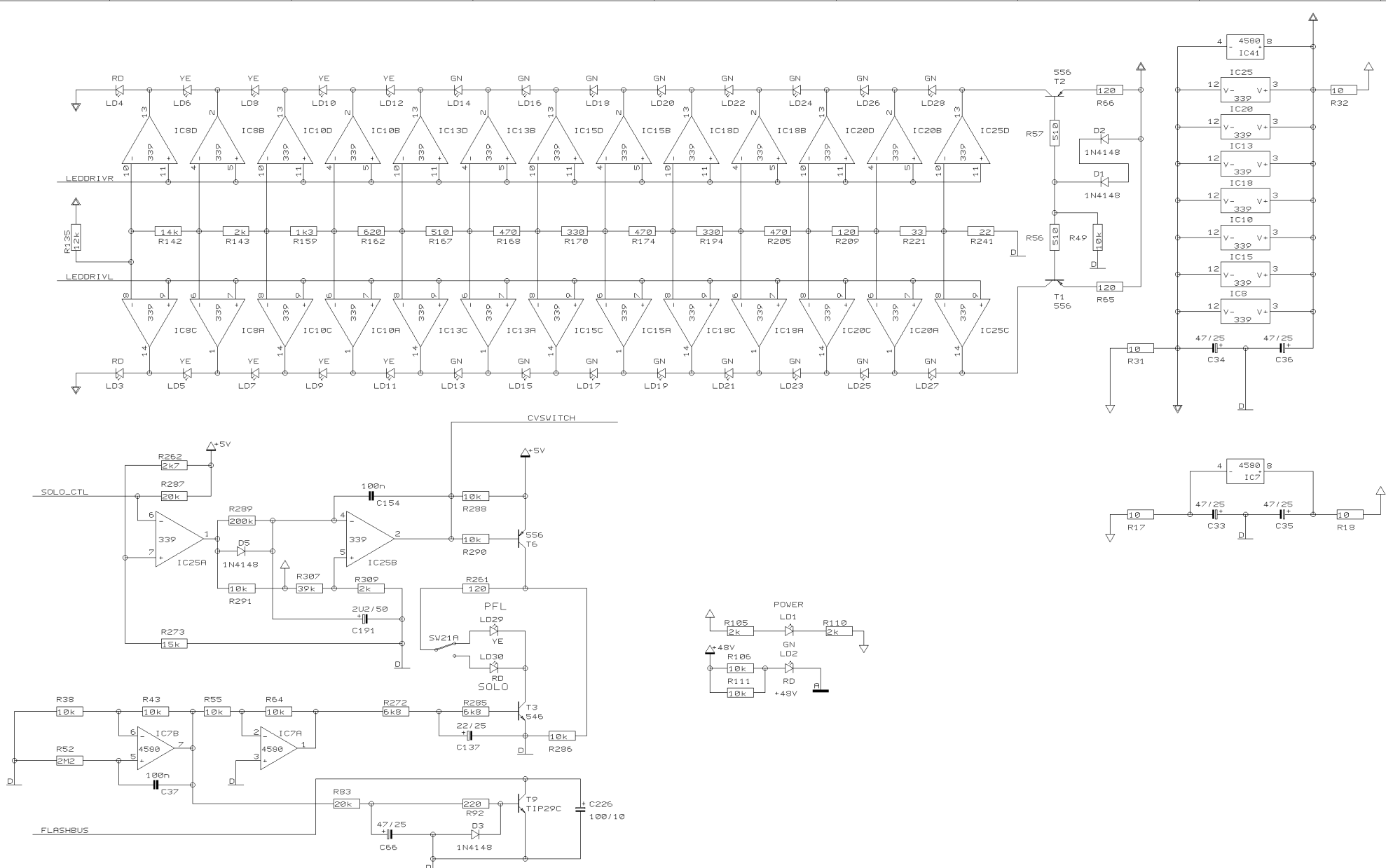
DATE 05.02. 1
13:28

BEHRINGER®

Specialized Studio Equipment

PROJECT
MASTER
EURODESK MX 3282
2TR/MON/PHONES/TB/LED

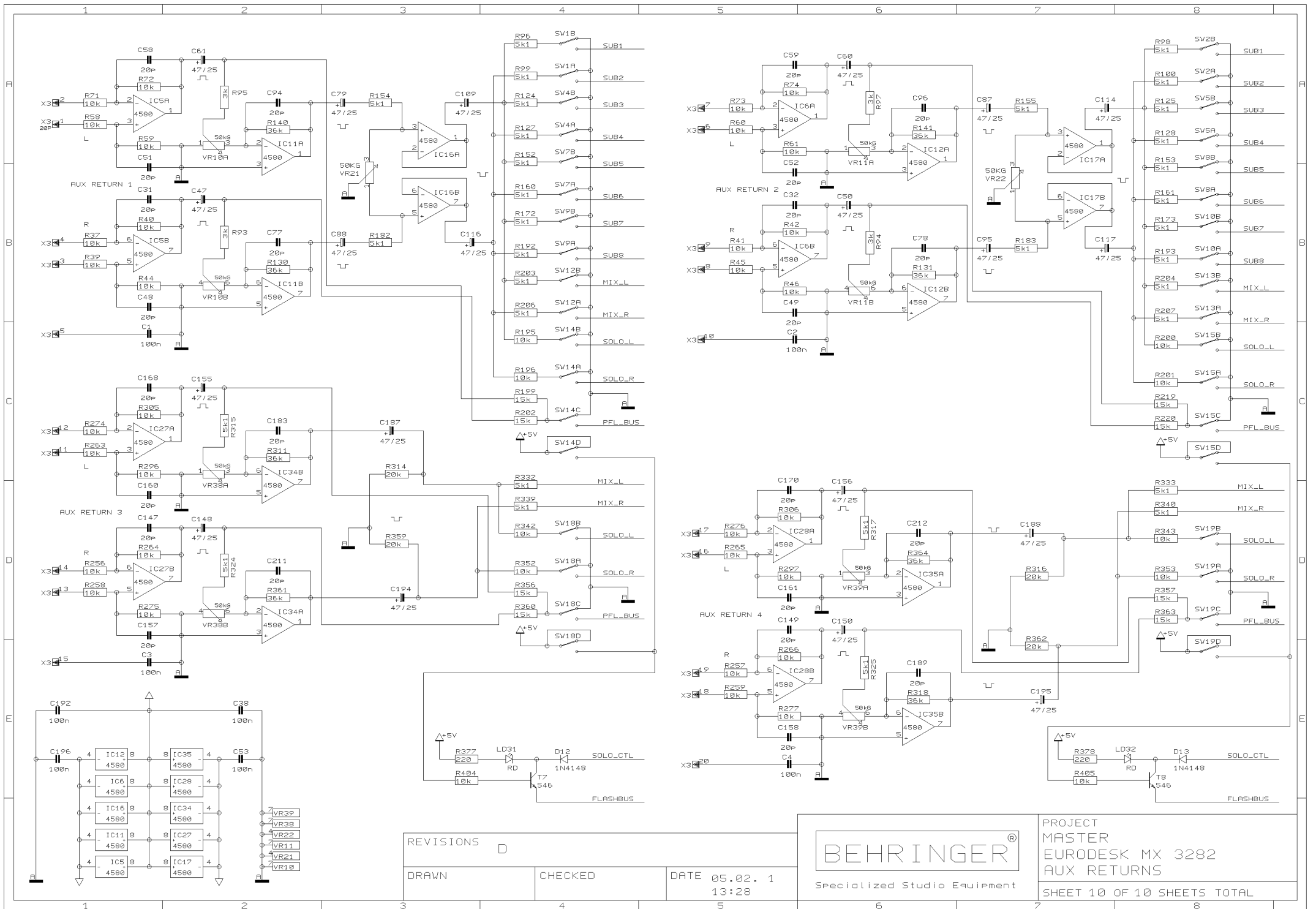
SHEET 8 OF 10 SHEETS TOTAL



REVISIONS		
D		
DRAWN	CHECKED	DATE 05.02. 1 13:28



PROJECT
 MASTER
 EURODESK MX 3282
 LED BARS
 SHEET 9 OF 10 SHEETS TOTAL



REVISIONS

DRAWN

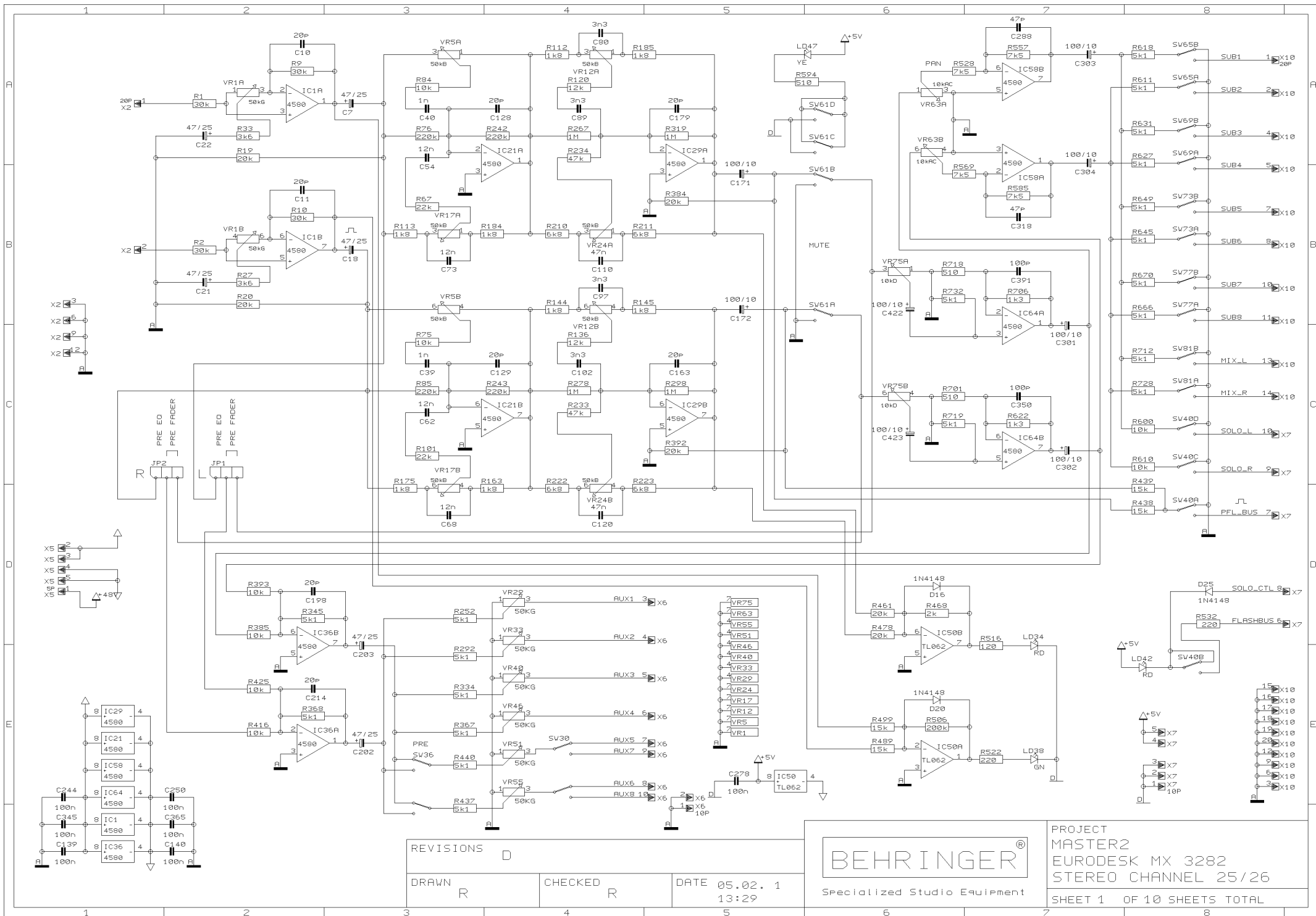
CHECKED

DATE 05.02. 1
13:28



PROJECT
MASTER
EURODESK MX 3282
AUX RETURNS

SHEET 10 OF 10 SHEETS TOTAL

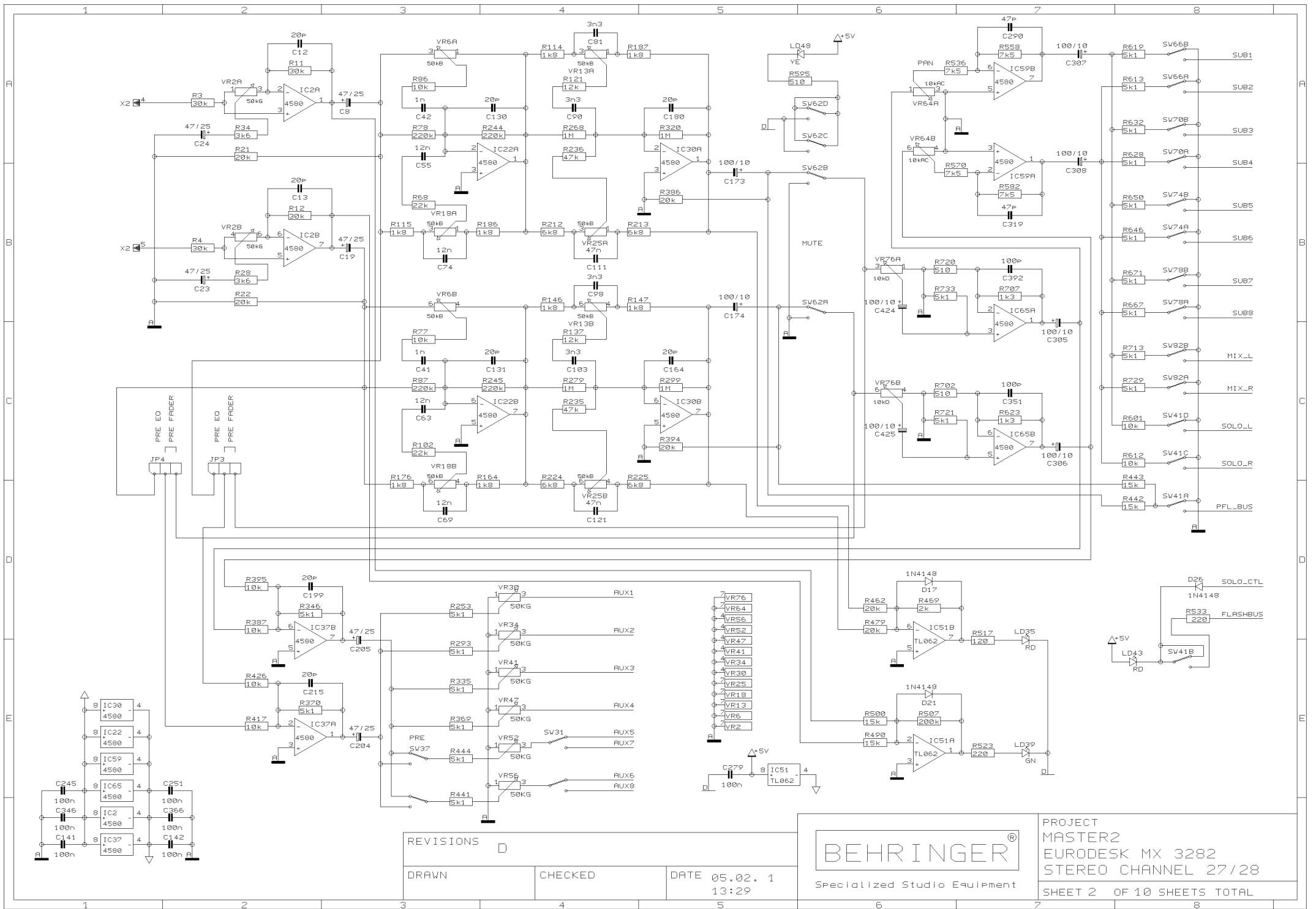


REVISIONS		
D		
DRAWN	CHECKED	DATE
R	R	05.02. 1
		13:29



PROJECT
 MASTER2
 EURODESK MX 3282
 STEREO CHANNEL 25/26

SHEET 1 OF 10 SHEETS TOTAL



REVISIONS

D

DRAWN

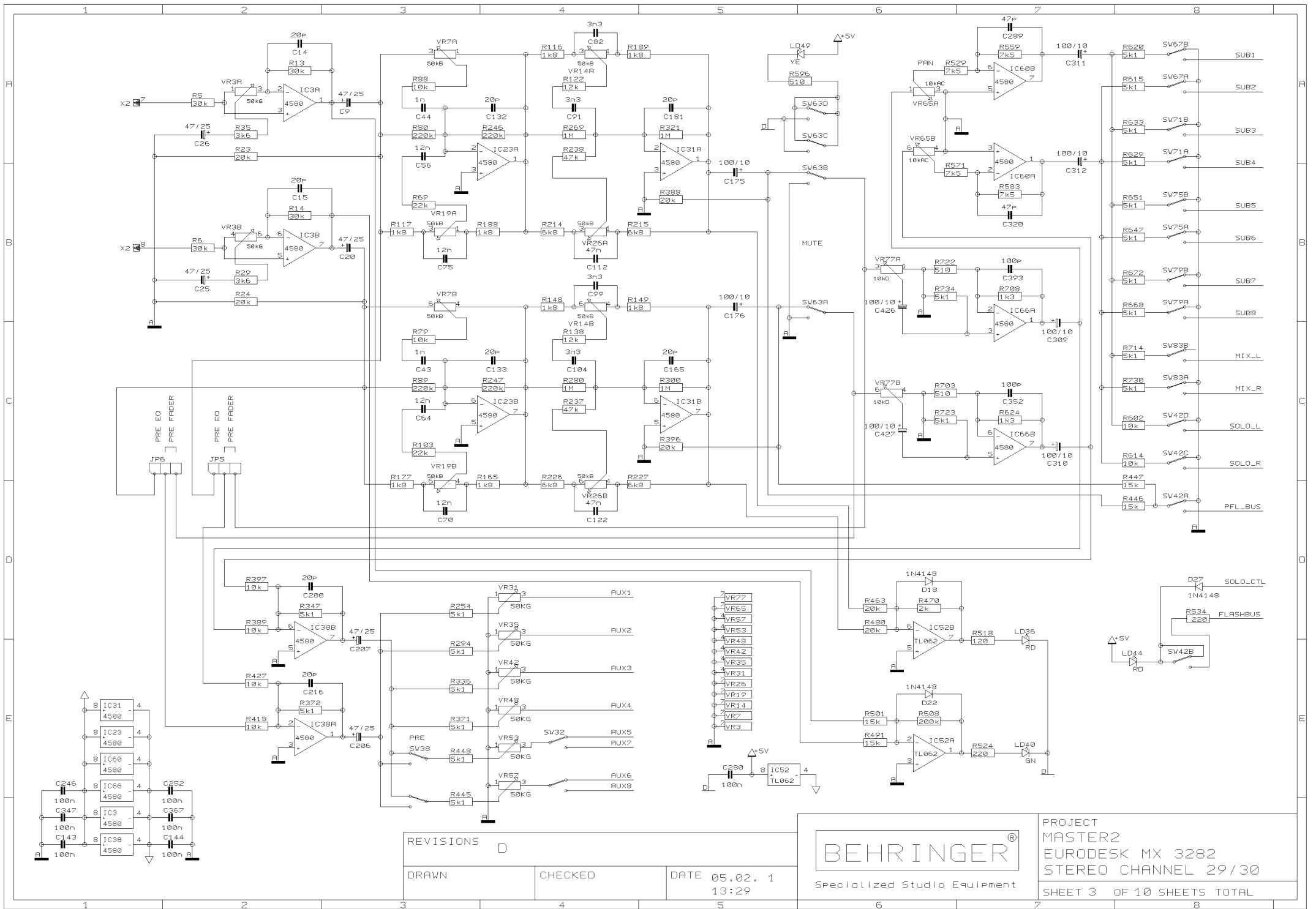
CHECKED

DATE 05.02. 1
13:29

BEHRINGER®

Specialized Studio Equipment

PROJECT
MASTER2
EURODESK MX 3282
STEREO CHANNEL 27/28
SHEET 2 OF 10 SHEETS TOTAL



REVISIONS D

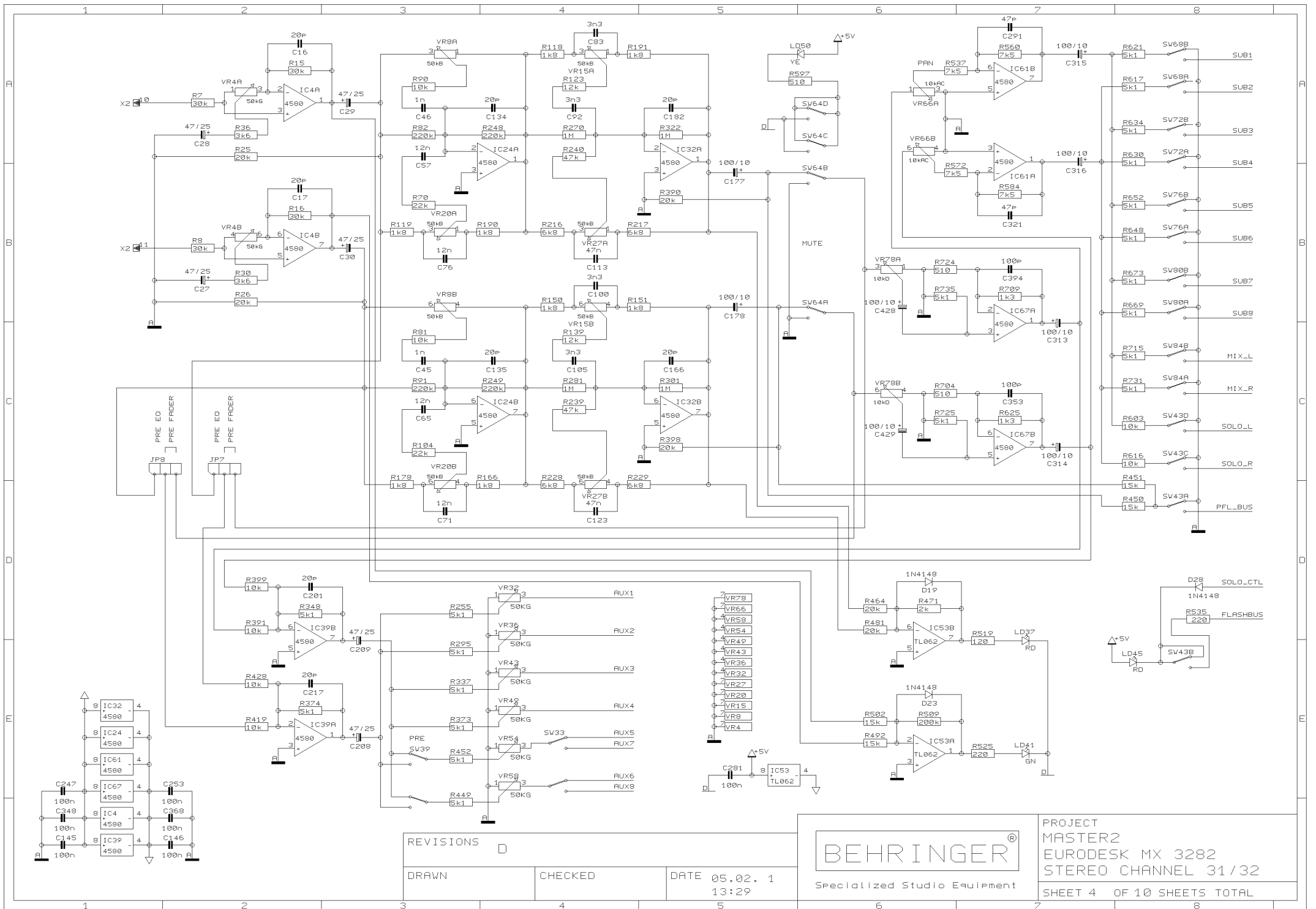
DRAWN

CHECKED

DATE 05.02. 1
13:29



PROJECT
MASTER2
EURODESK MX 3282
STEREO CHANNEL 29/30
SHEET 3 OF 10 SHEETS TOTAL



REVISIONS D

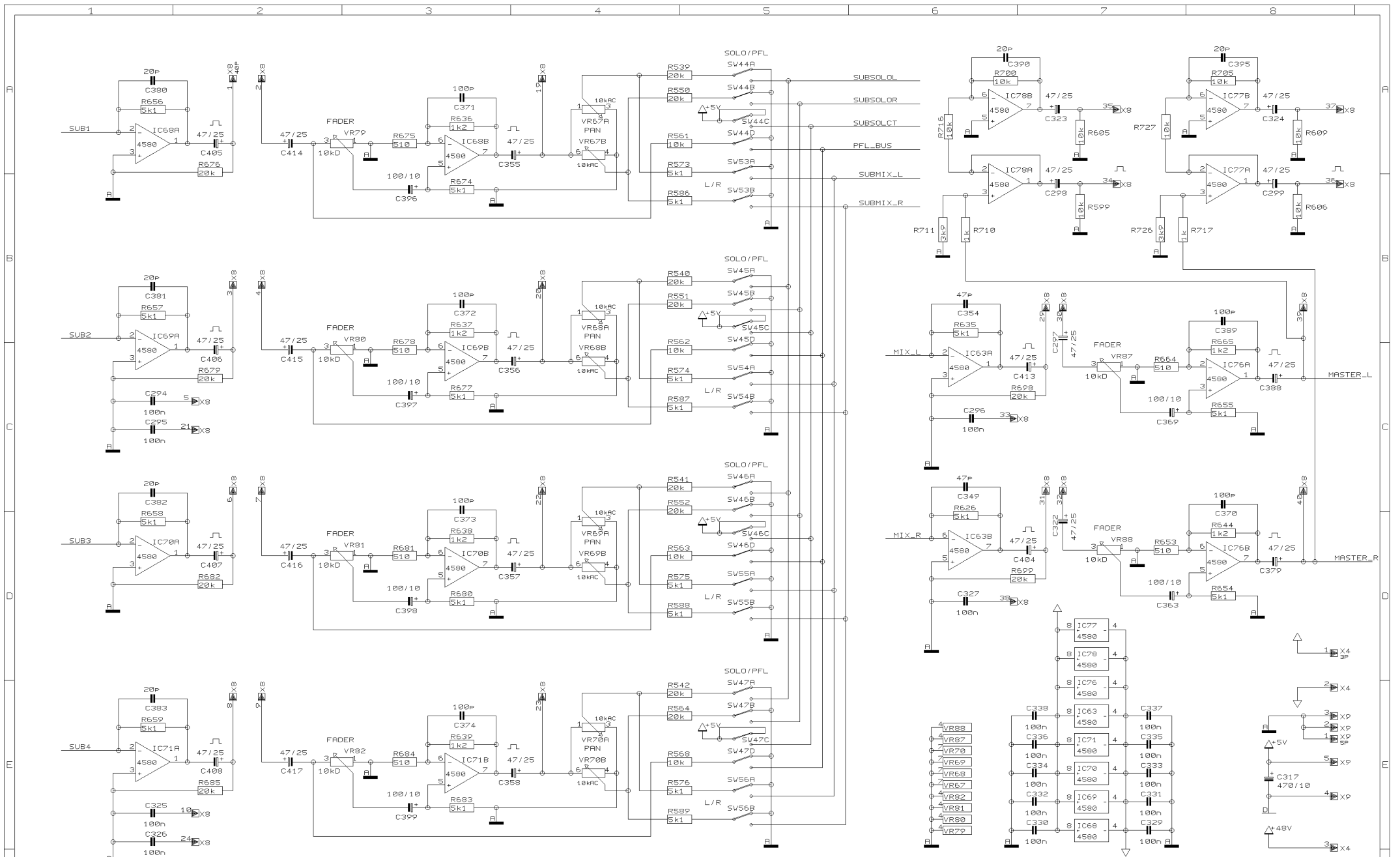
DRAWN

CHECKED

DATE 05.02. 1
13:29



PROJECT
MASTER2
EURODESK MX 3282
STEREO CHANNEL 31/32
SHEET 4 OF 10 SHEETS TOTAL



REVISIONS D

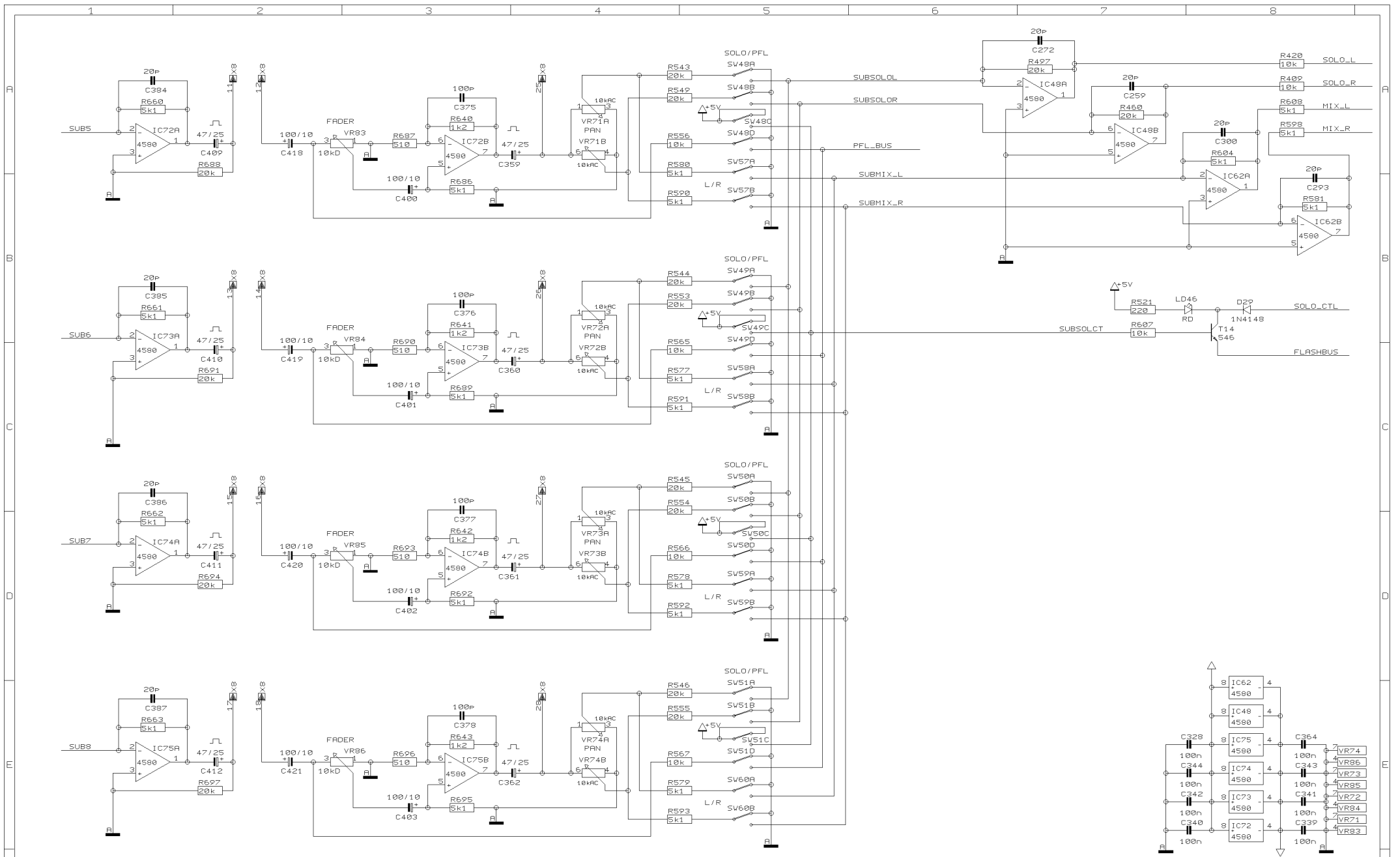
DRAWN

CHECKED

DATE 05.02. 1
13:29



PROJECT
MASTER2
EURODESK MX 3282
SUBGROUPS 1-4 & MIX BUS
SHEET 5 OF 10 SHEETS TOTAL



REVISIONS

D

DRAWN

CHECKED

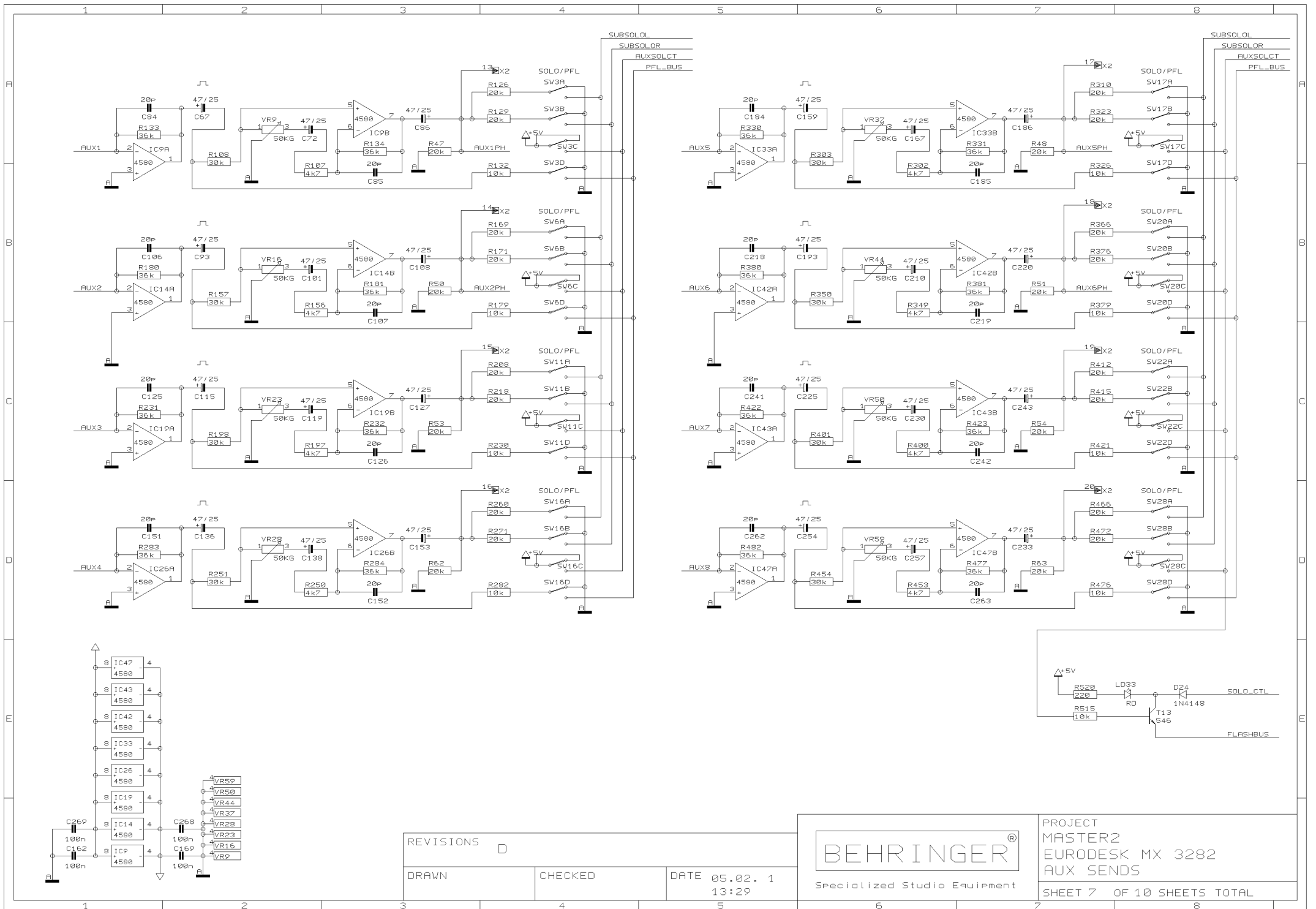
DATE 05.02. 1
13:29



Specialized Studio Equipment

PROJECT
MASTER2
EURODESK MX 3282
SUBGROUPS 5-8 BUS

SHEET 6 OF 10 SHEETS TOTAL



REVISIONS D

DRAWN

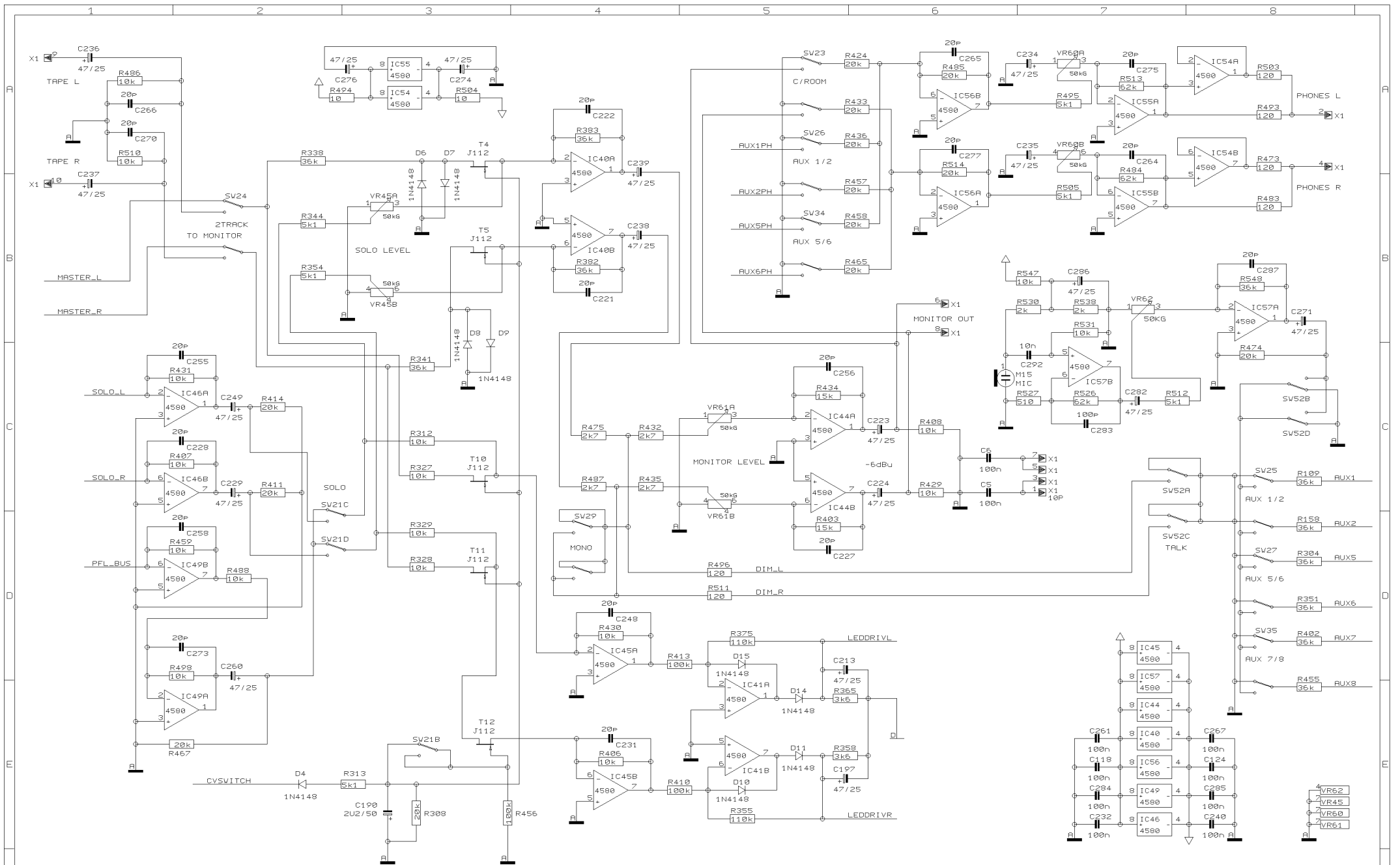
CHECKED

DATE 05.02. 1
13:29



PROJECT
MASTER2
EURODESK MX 3282
AUX SENDS

SHEET 7 OF 10 SHEETS TOTAL



REVISIONS D

DRAWN

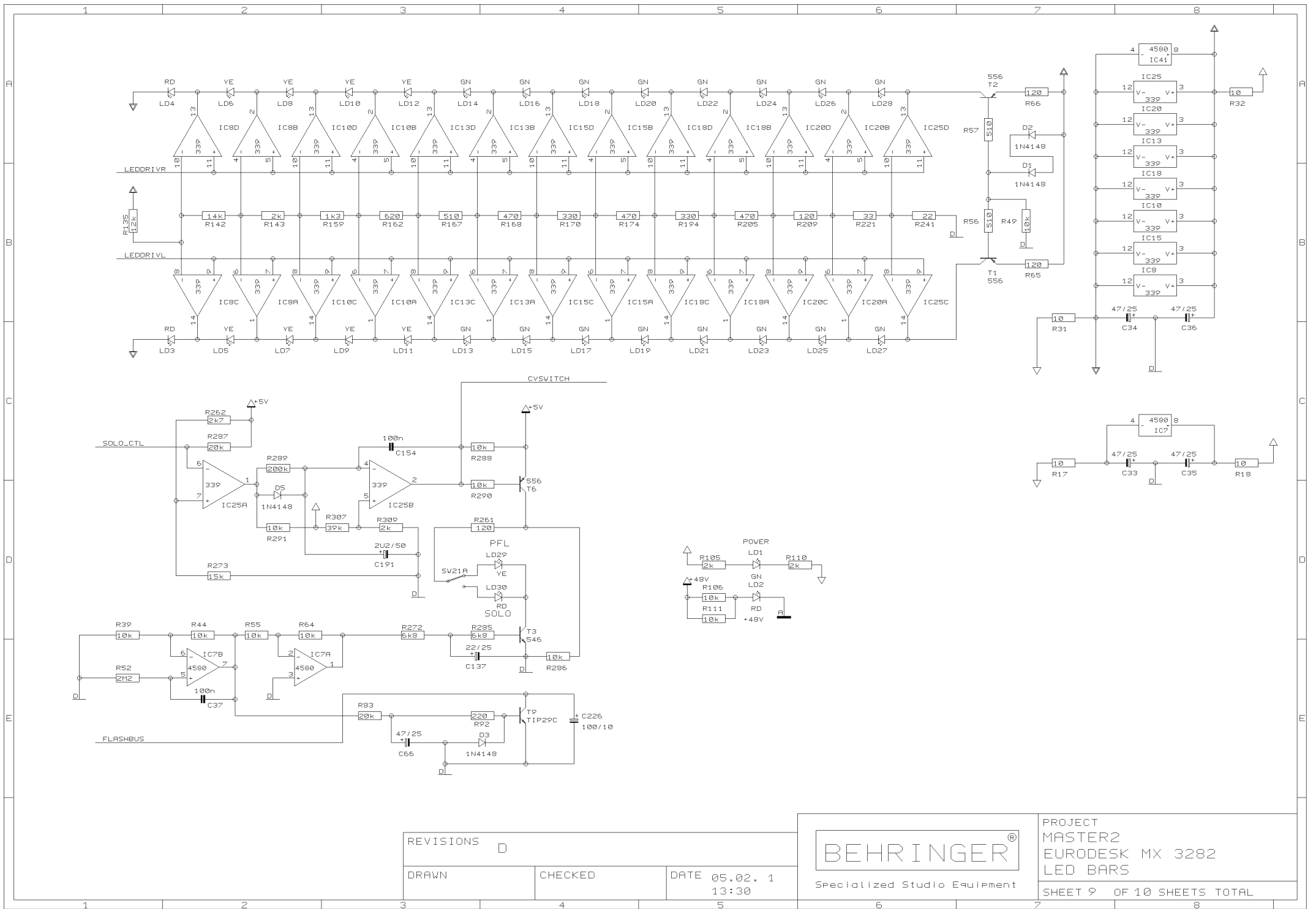
CHECKED

DATE 05.02. 1
13:29

BEHRINGER®

Specialized Studio Equipment

PROJECT
MASTER2
EURODESK MX 3282
2TR/MON/PHONES/TB/LED
SHEET 8 OF 10 SHEETS TOTAL



REVISIONS

D

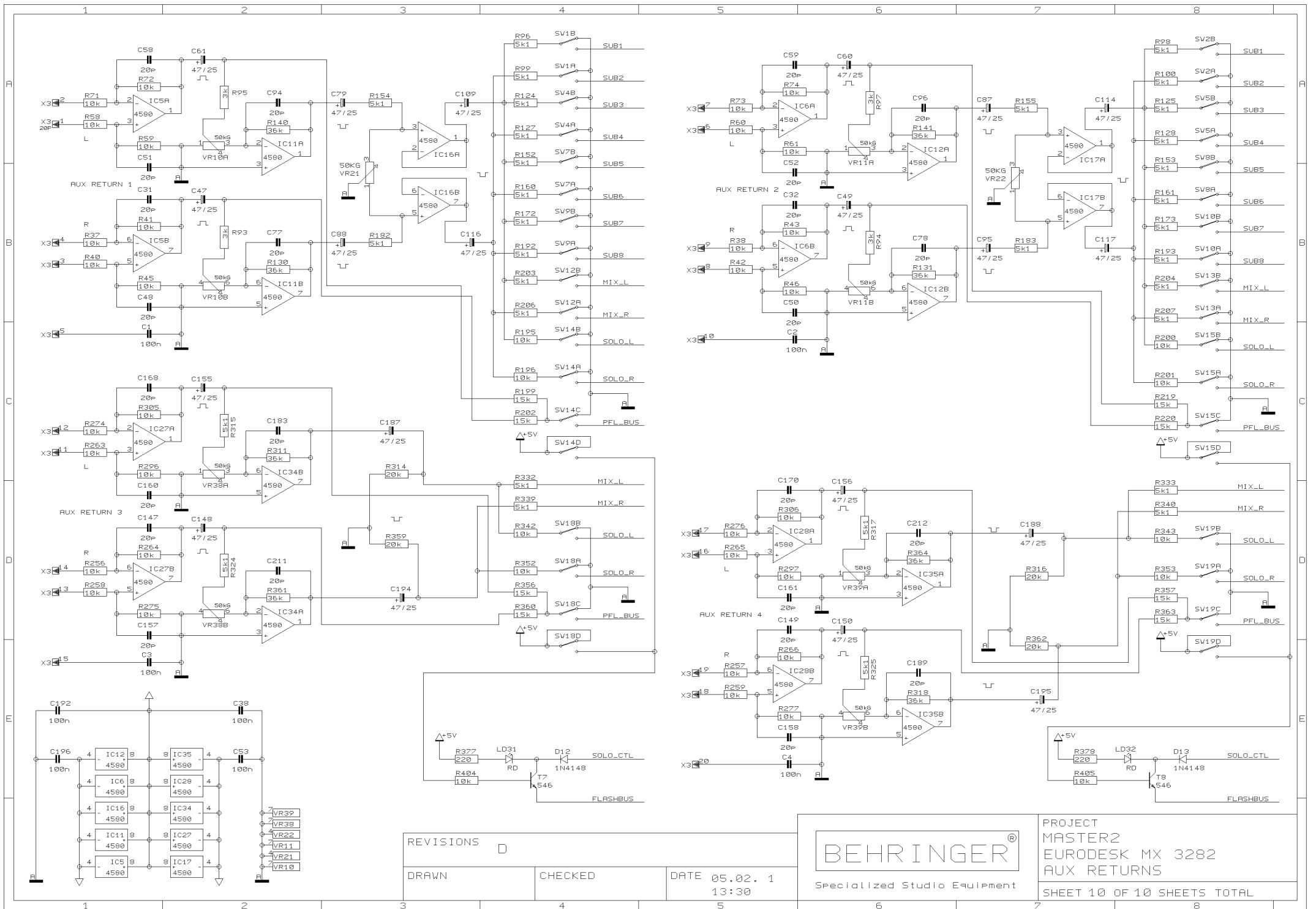
DRAWN

CHECKED

DATE 05.02. 1
13:30



PROJECT
MASTER2
EURODESK MX 3282
LED BARS
SHEET 9 OF 10 SHEETS TOTAL



REVISIONS

DRAWN

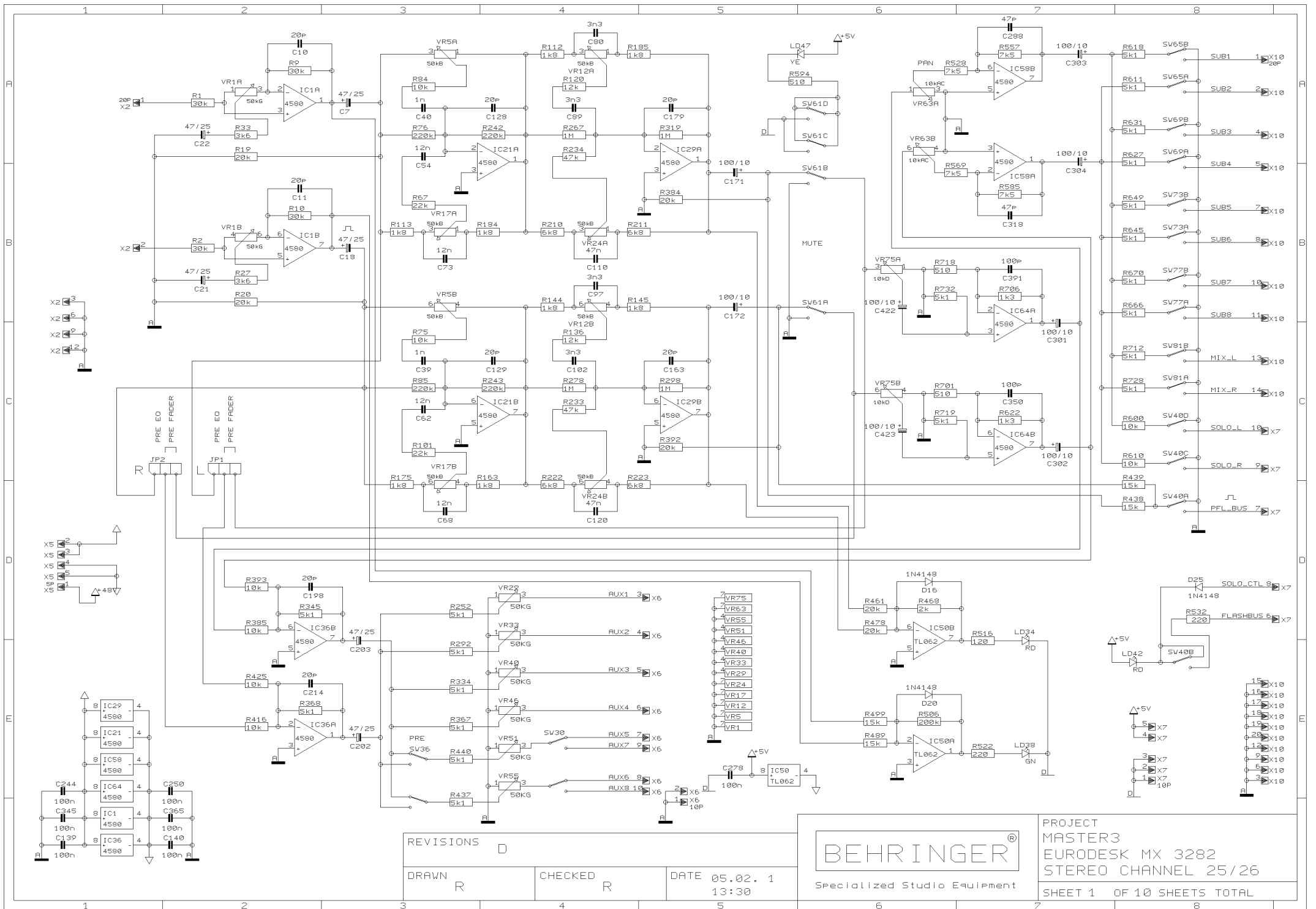
CHECKED

DATE 05.02. 1
13:30



PROJECT
MASTER2
EURODESK MX 3282
AUX RETURNS

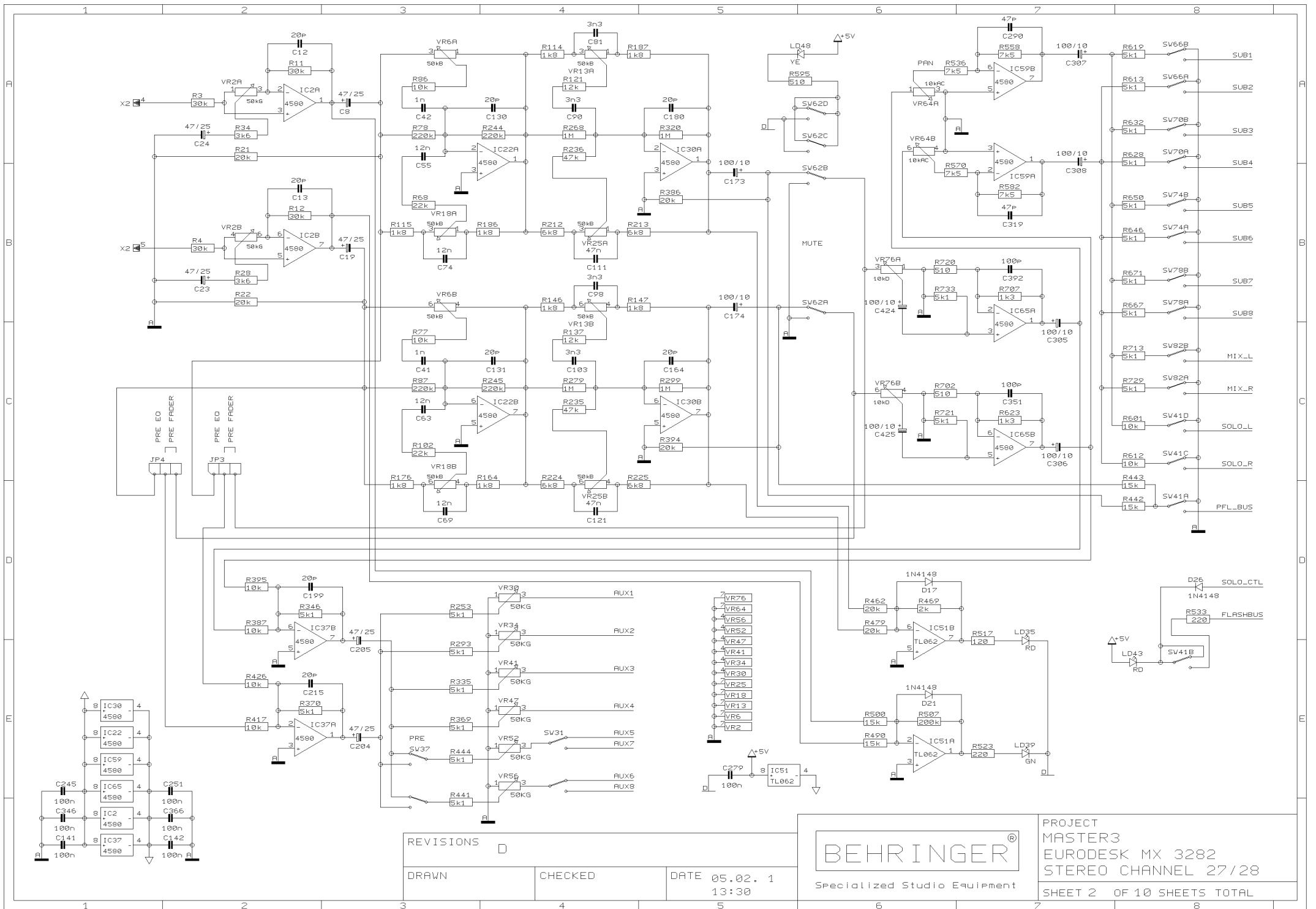
SHEET 10 OF 10 SHEETS TOTAL



REVISIONS		
D		
DRAWN	CHECKED	DATE
R	R	05.02. 1 13:30



PROJECT
 MASTER3
 EURODESK MX 3282
 STEREO CHANNEL 25/26
 SHEET 1 OF 10 SHEETS TOTAL



REVISIONS D

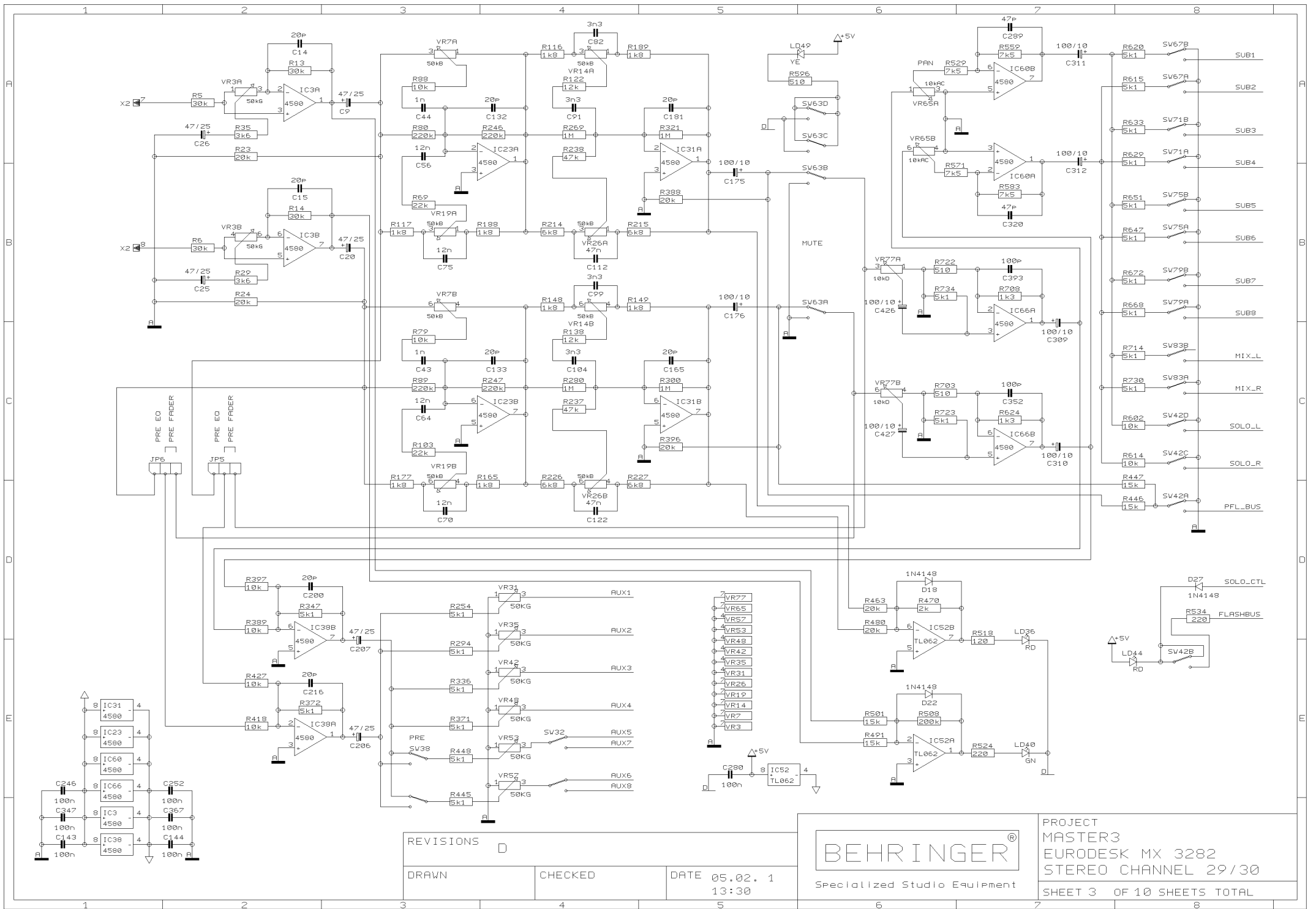
DRAWN

CHECKED

DATE 05.02. 1
13:30



PROJECT
MASTER3
EURODESK MX 3282
STEREO CHANNEL 27/28
SHEET 2 OF 10 SHEETS TOTAL



REVISIONS

D

DRAWN

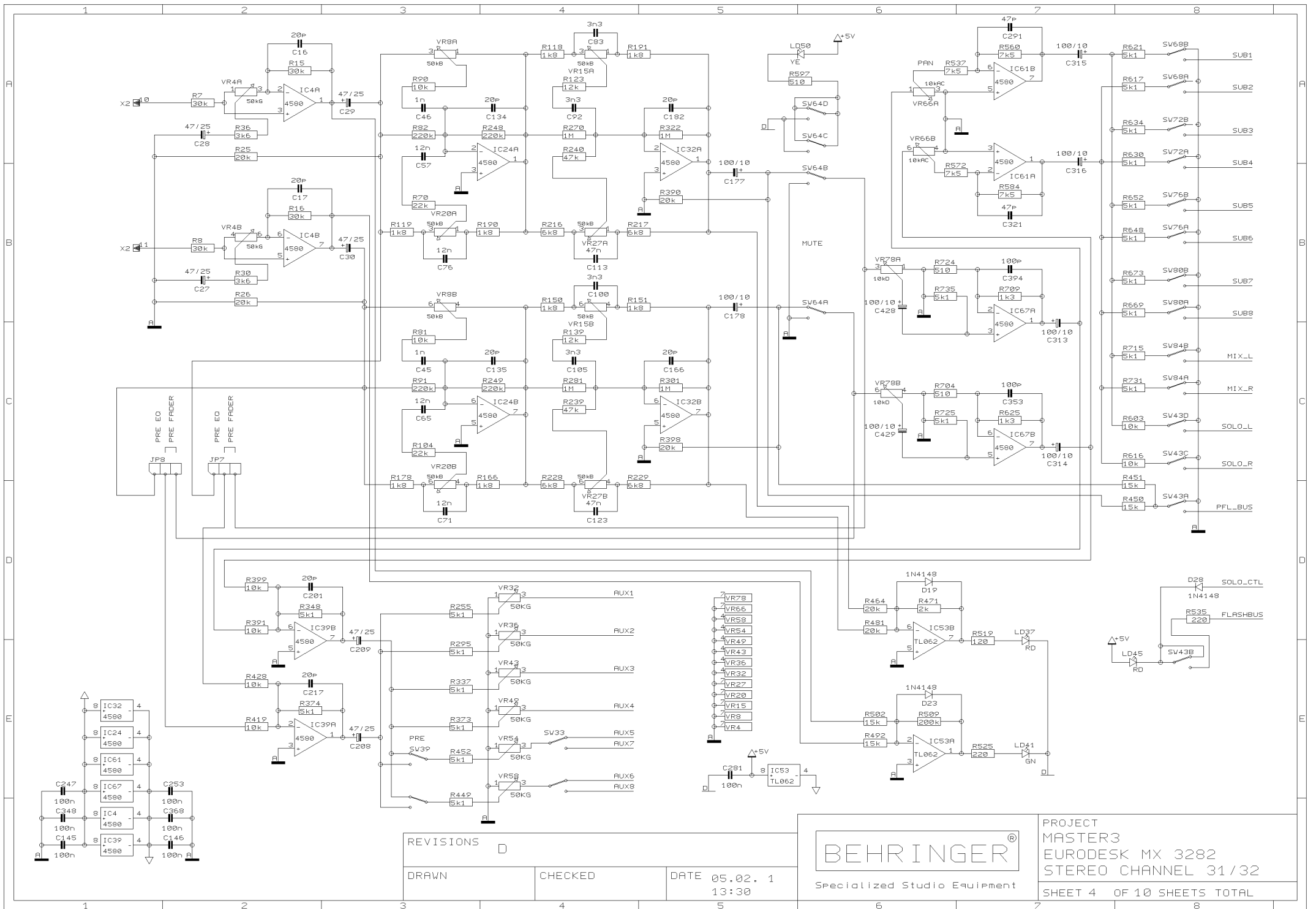
CHECKED

DATE 05.02. 1
13:30



Specialized Studio Equipment

PROJECT
MASTER3
EURODESK MX 3282
STEREO CHANNEL 29/30
SHEET 3 OF 10 SHEETS TOTAL



REVISIONS D

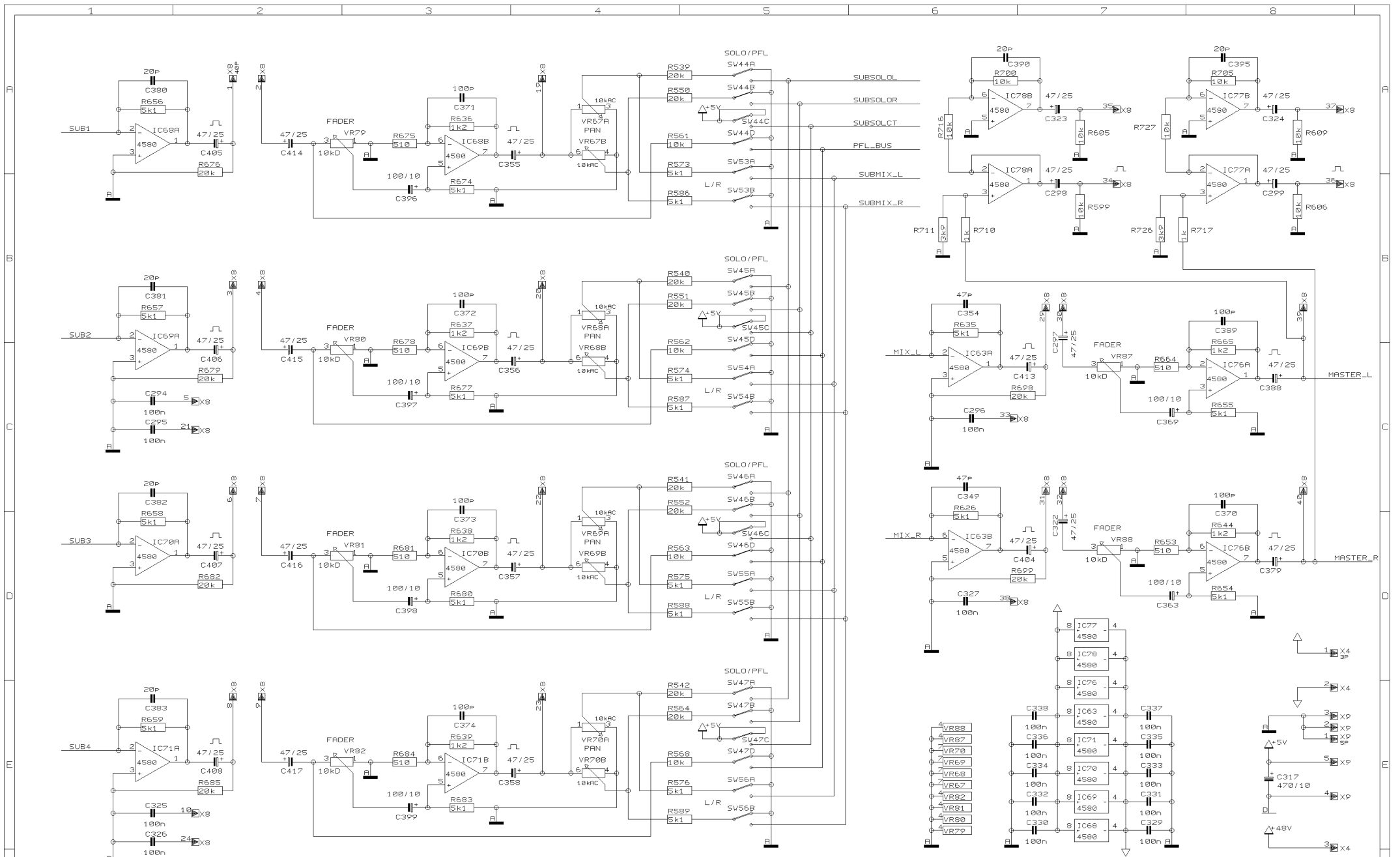
DRAWN

CHECKED

DATE 05.02. 1
13:30

BEHRINGER
Specialized Studio Equipment

PROJECT
MASTER3
EURODESK MX 3282
STEREO CHANNEL 31/32
SHEET 4 OF 10 SHEETS TOTAL



REVISIONS D

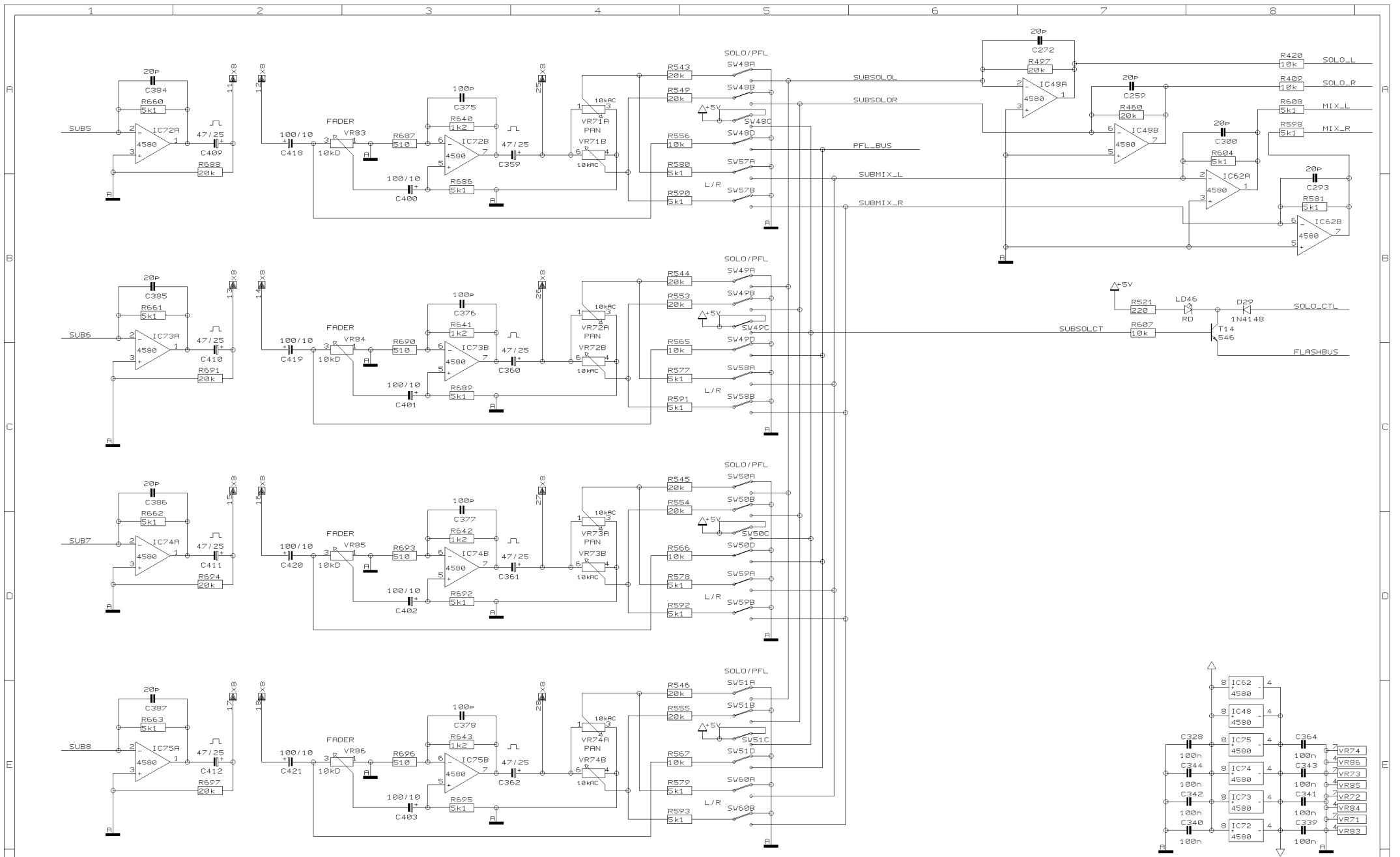
DRAWN

CHECKED

DATE 05.02. 1
13:30



PROJECT
MASTER3
EURODESK MX 3282
SUBGROUPS 1-4 & MIX BUS
SHEET 5 OF 10 SHEETS TOTAL



REVISIONS

D

DRAWN

CHECKED

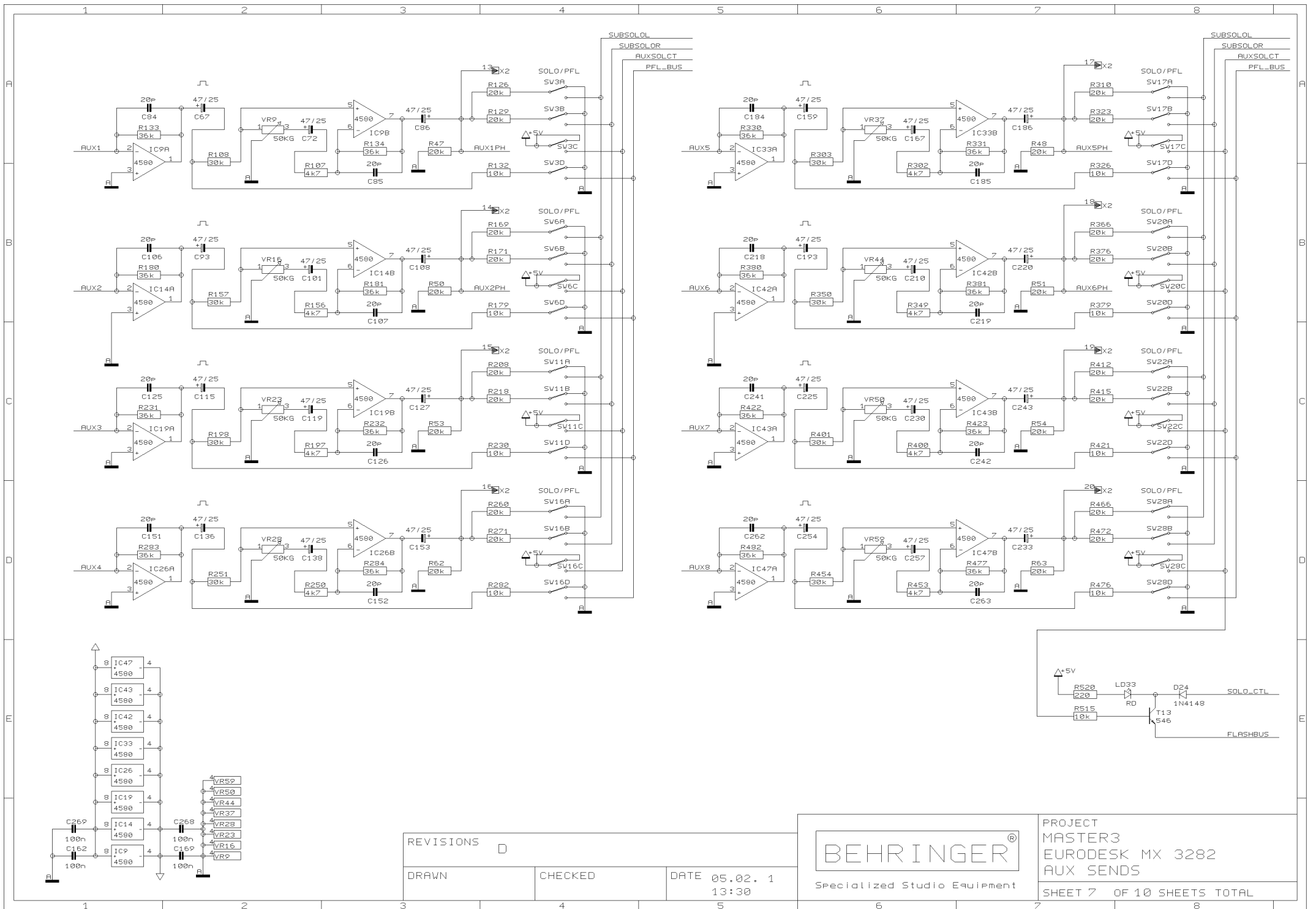
DATE 05.02. 1
13:30

BEHRINGER®

Specialized Studio Equipment

PROJECT
MASTER3
EURODESK MX 3282
SUBGROUPS 5-8 BUS

SHEET 6 OF 10 SHEETS TOTAL



REVISIONS D

DRAWN

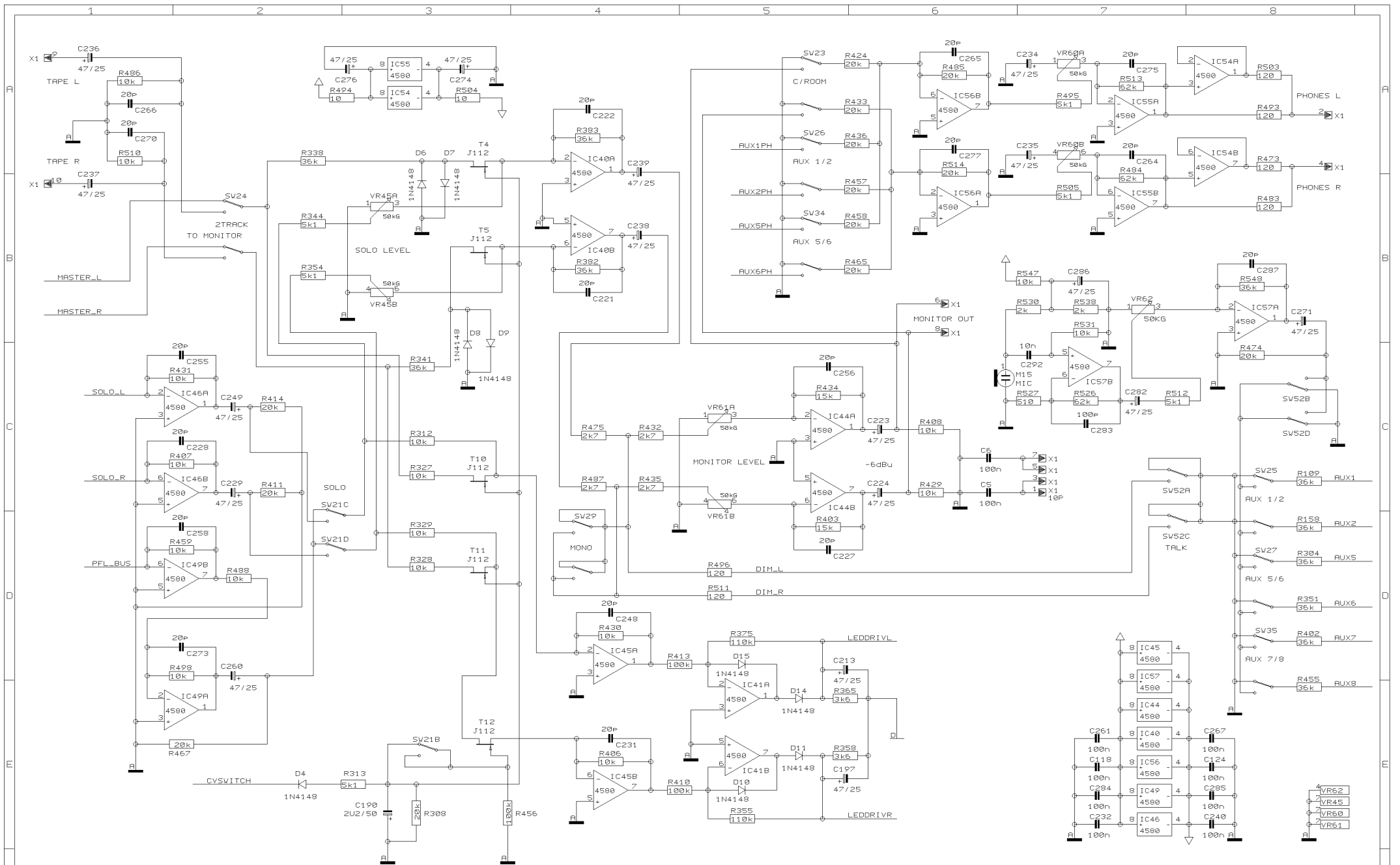
CHECKED

DATE 05.02. 1
13:30



PROJECT
MASTER3
EURODESK MX 3282
AUX SENDS

SHEET 7 OF 10 SHEETS TOTAL



REVISIONS D

DRAWN

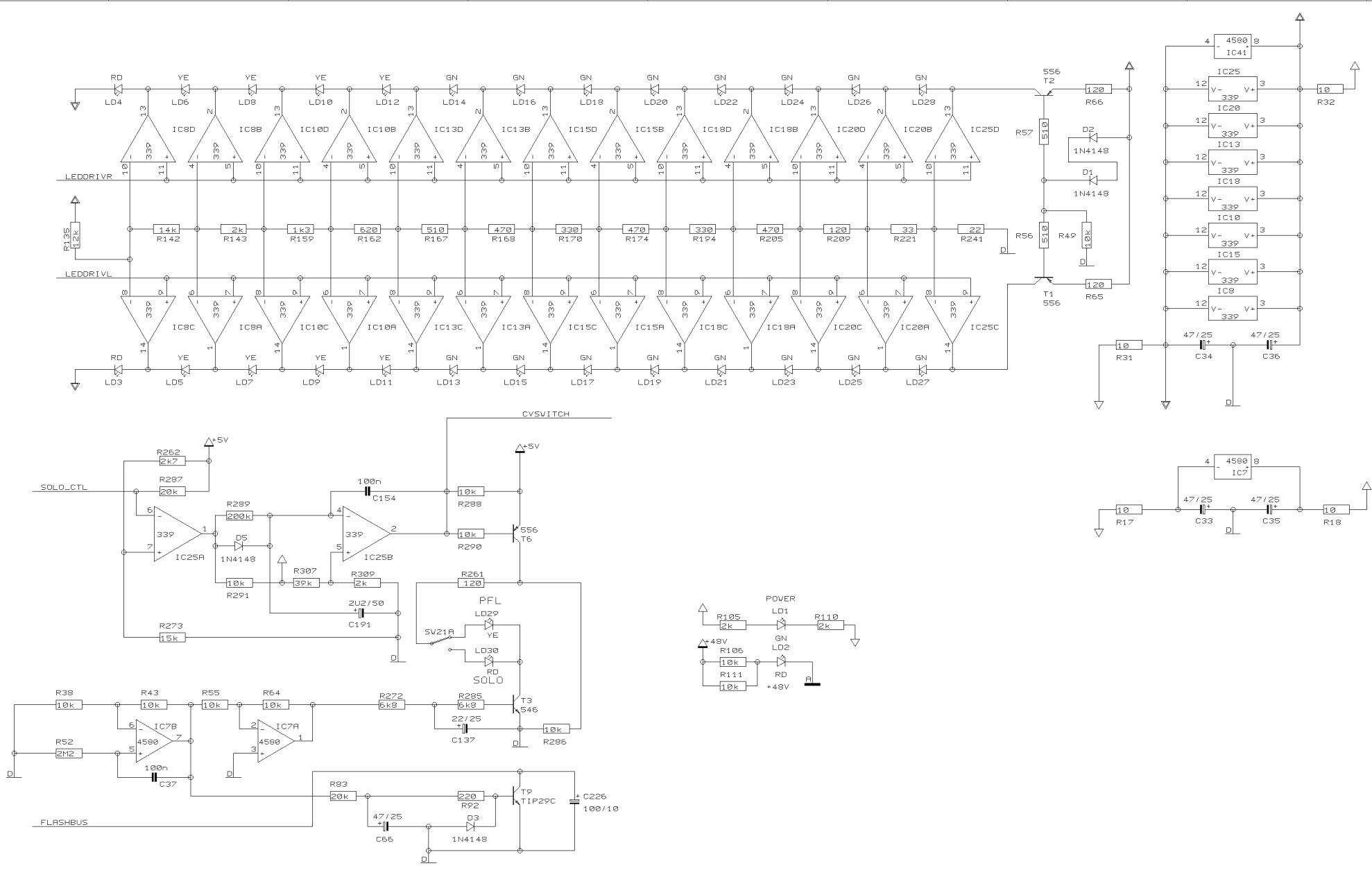
CHECKED

DATE 05.02. 1
13:30

BEHRINGER®

Specialized Studio Equipment

PROJECT
MASTER3
EURODESK MX 3282
2TR/MON/PHONES/TB/LED
SHEET 8 OF 10 SHEETS TOTAL



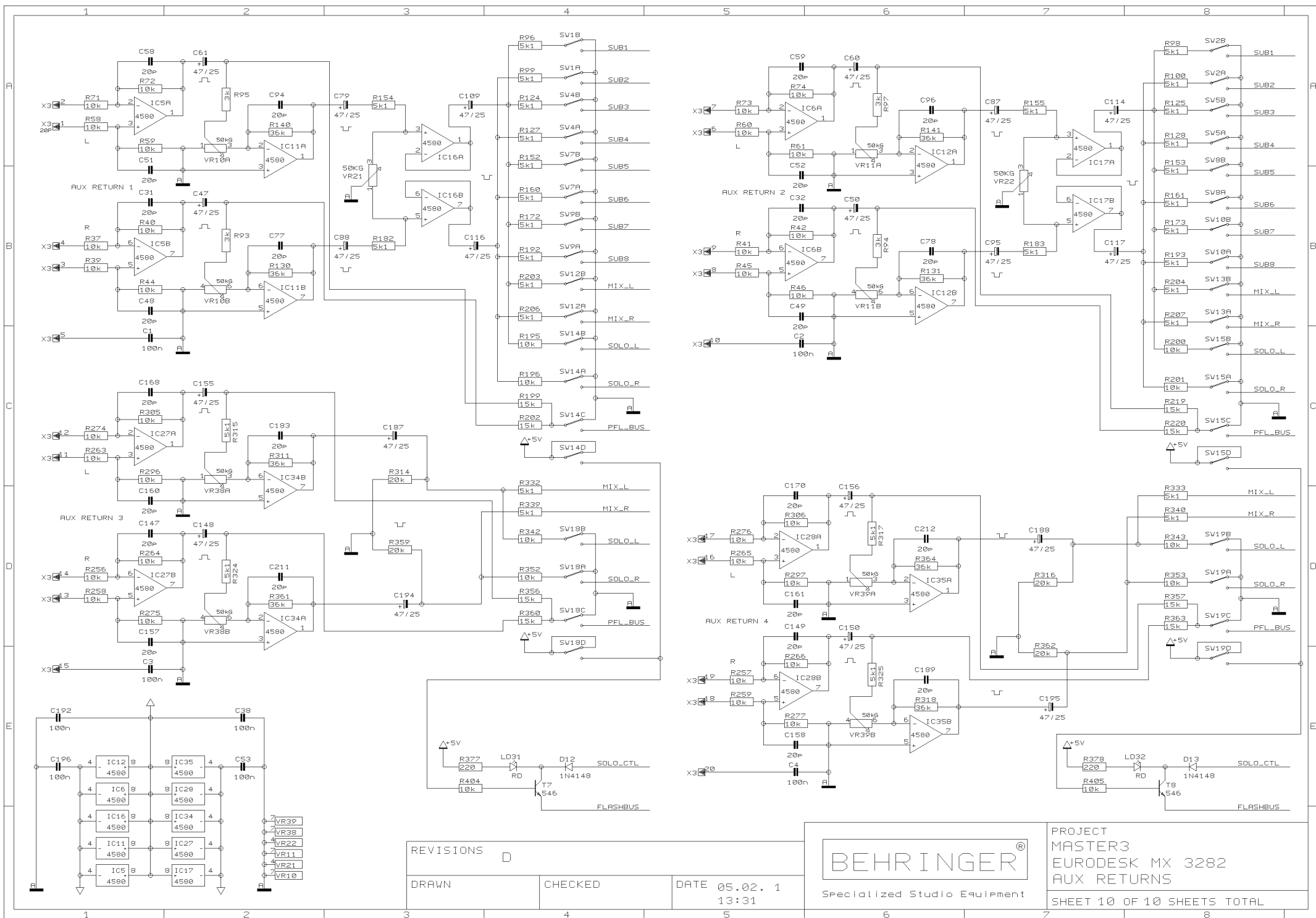
REVISIONS		
D		
DRAWN	CHECKED	DATE 05.02. 1 13:31



Specialized Studio Equipment

PROJECT
 MASTER3
 EURODESK MX 3282
 LED BARS

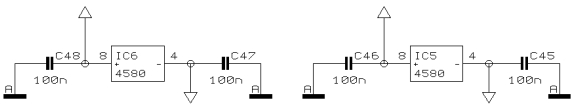
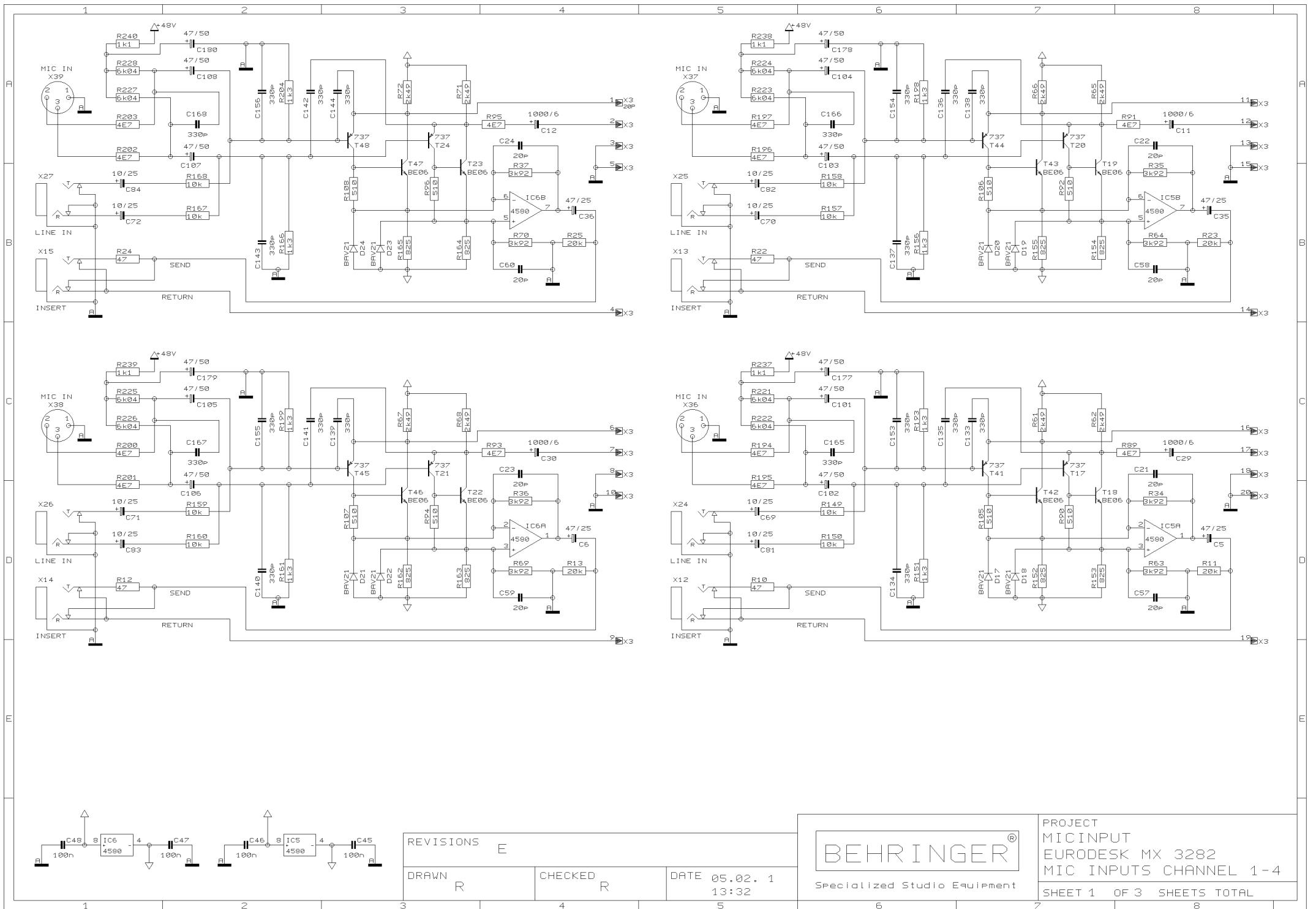
SHEET 9 OF 10 SHEETS TOTAL



REVISIONS	D
DRAWN	
CHECKED	
DATE	05.02. 1 13:31



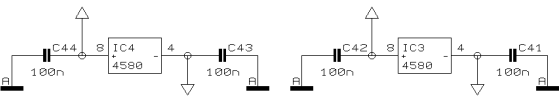
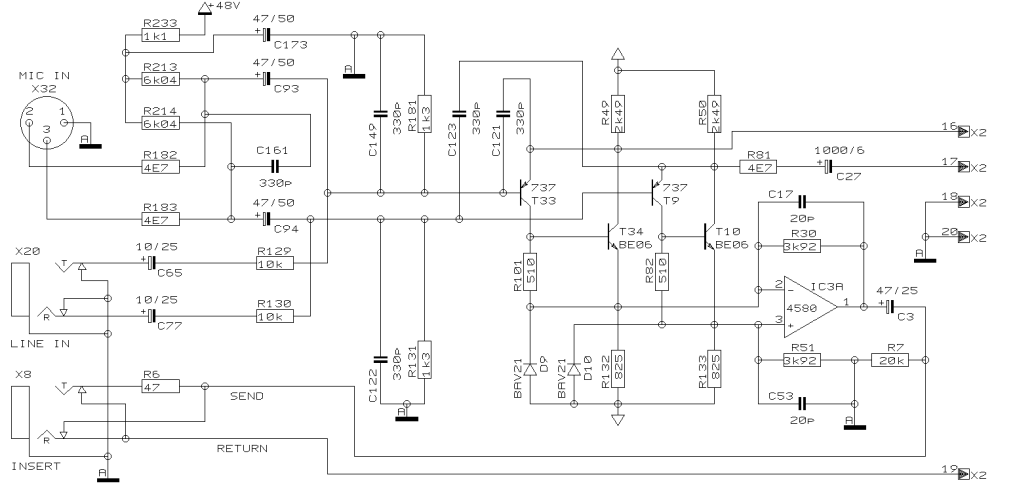
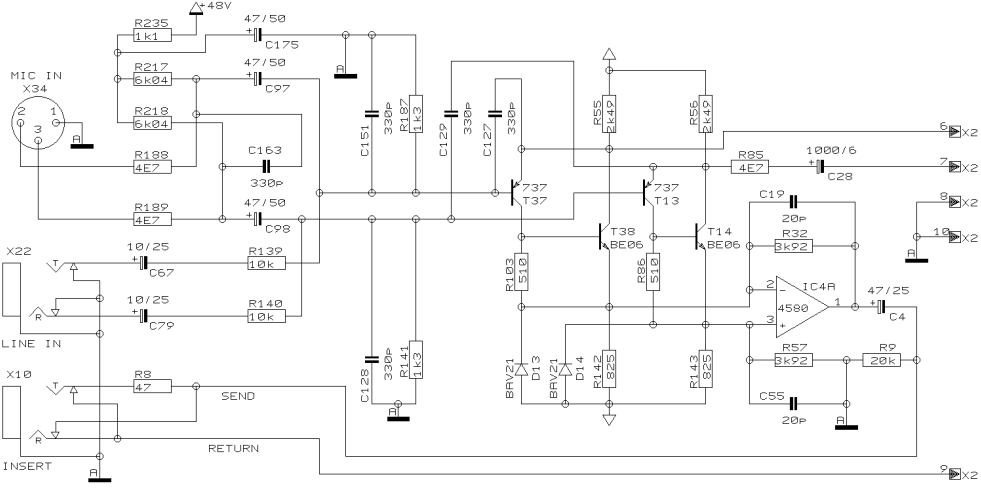
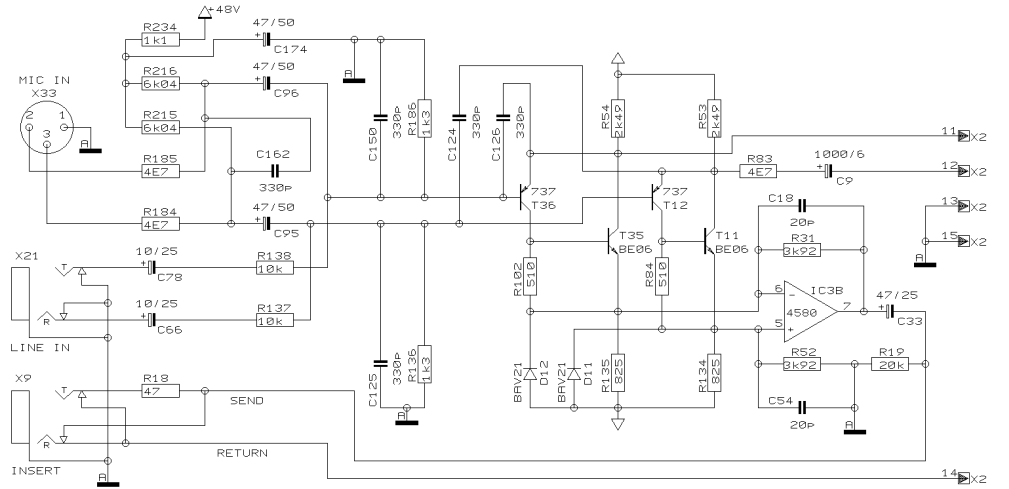
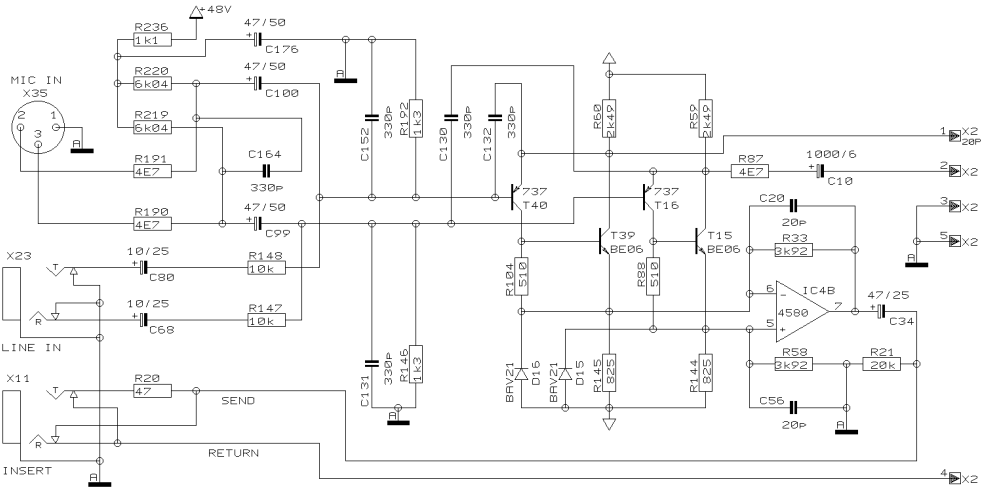
PROJECT
 MASTER3
 EURODESK MX 3282
 AUX RETURNS
 SHEET 10 OF 10 SHEETS TOTAL



REVISIONS	E
DRAWN	R
CHECKED	R
DATE	05.02. 1 13:32



PROJECT
MICINPUT
EURODESK MX 3282
MIC INPUTS CHANNEL 1-4
SHEET 1 OF 3 SHEETS TOTAL



REVISIONS E

DRAWN R

CHECKED R

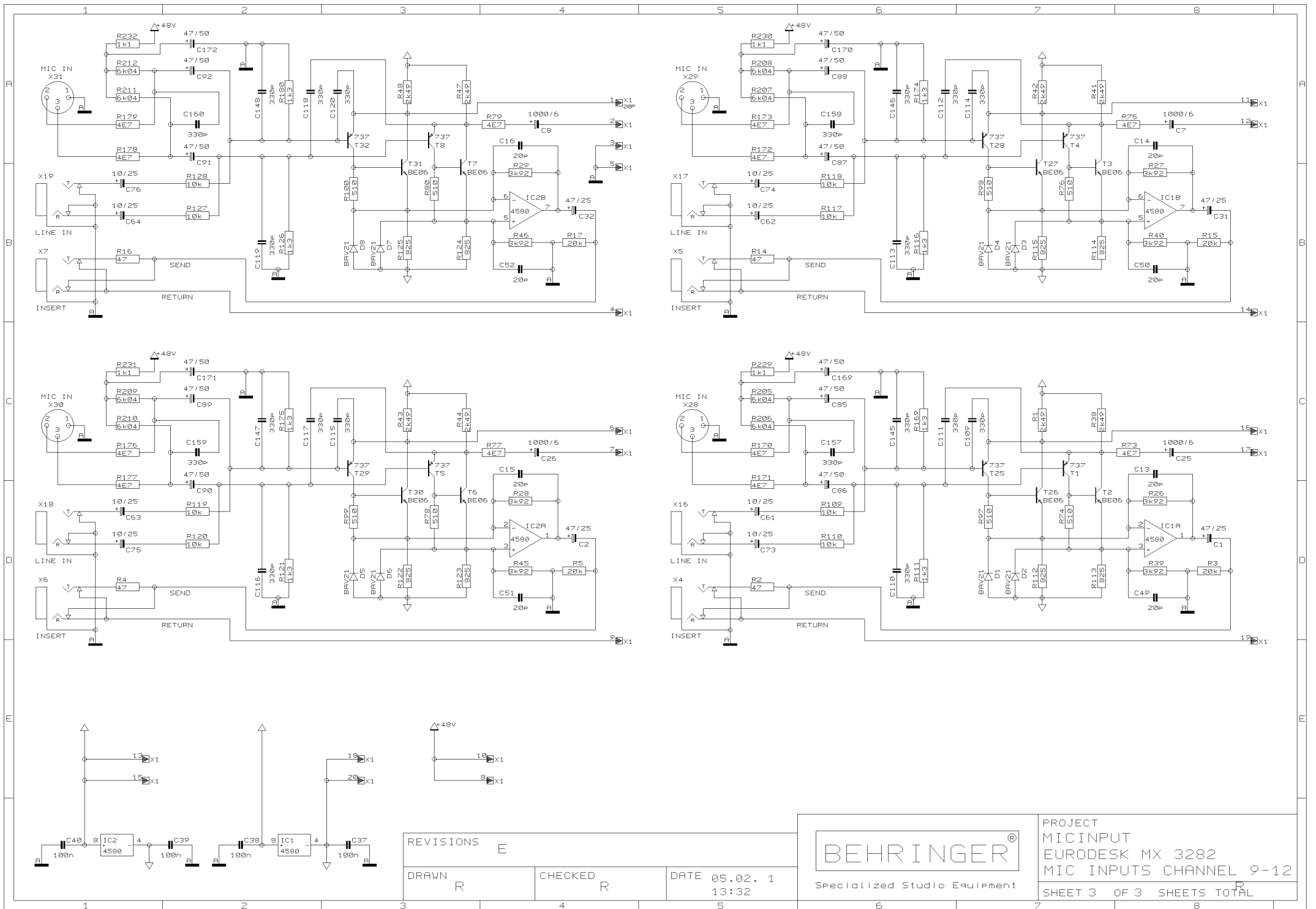
DATE 05.02. 1
13:32



Specialized Studio Equipment

PROJECT
MICINPUT
EURODESK MX 3282
MIC INPUTS CHANNEL 5-8

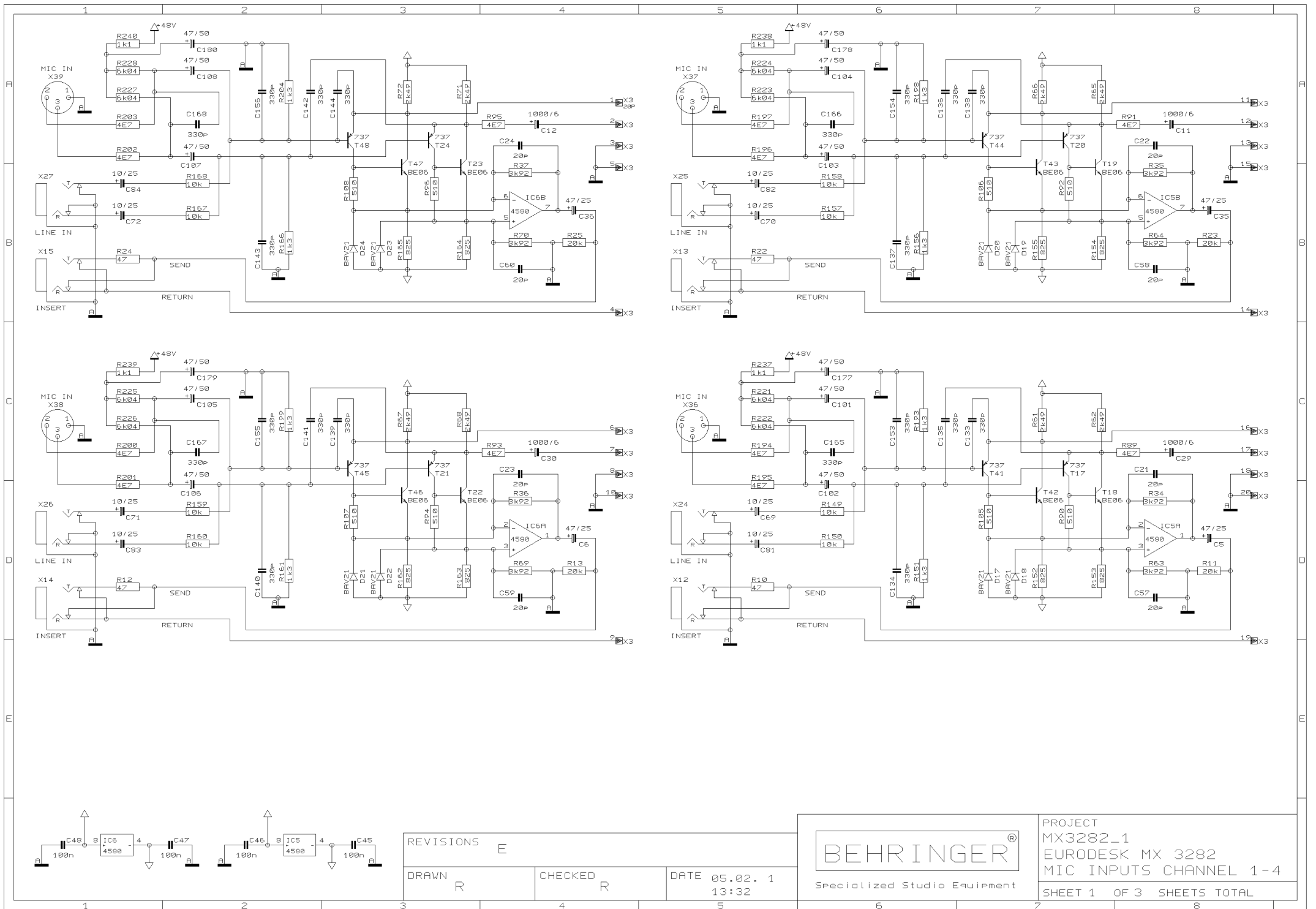
SHEET 2 OF 3 SHEETS TOTAL



REVISIONS	E
DRAWN	R
CHECKED	R
DATE	05.02.1 13:32



PROJECT
MICINPUT
EURODESK MX 3282
MIC INPUTS CHANNEL 9-12
SHEET 3 OF 3 SHEETS TOTAL



REVISIONS E

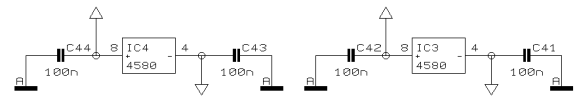
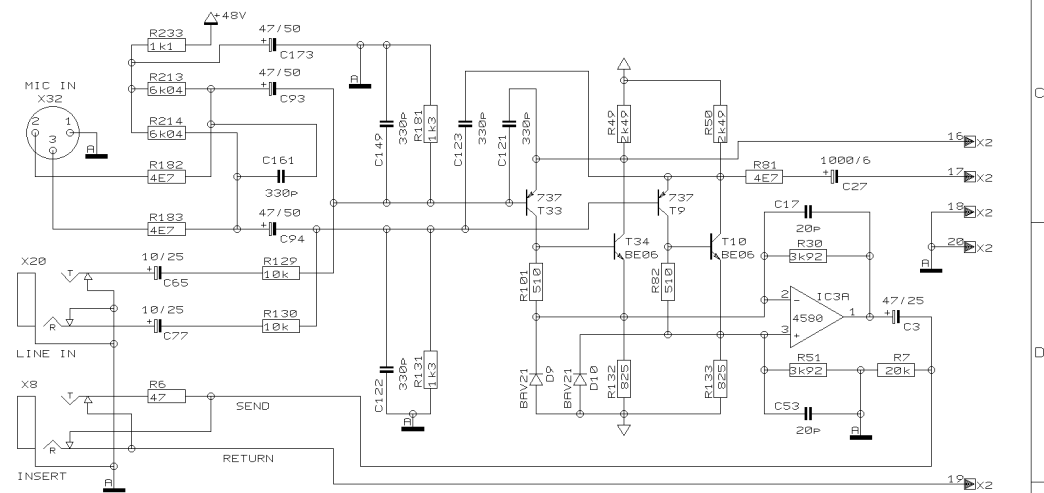
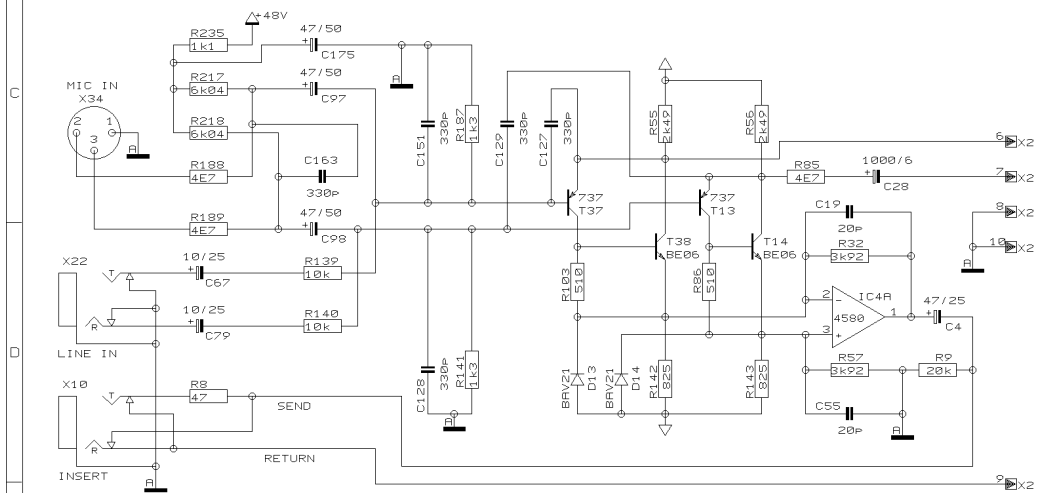
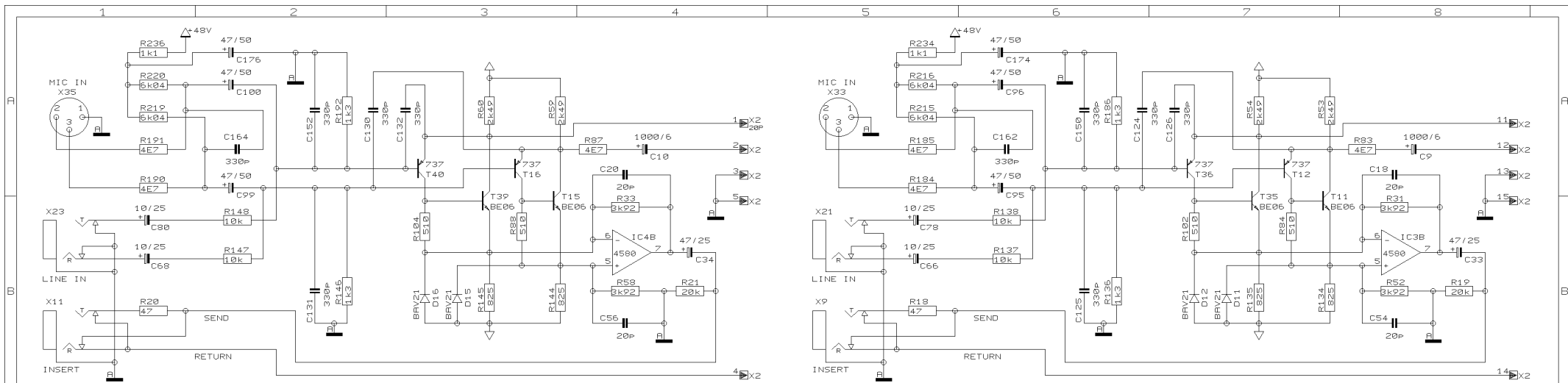
DRAWN R

CHECKED R

DATE 05.02. 1
13:32



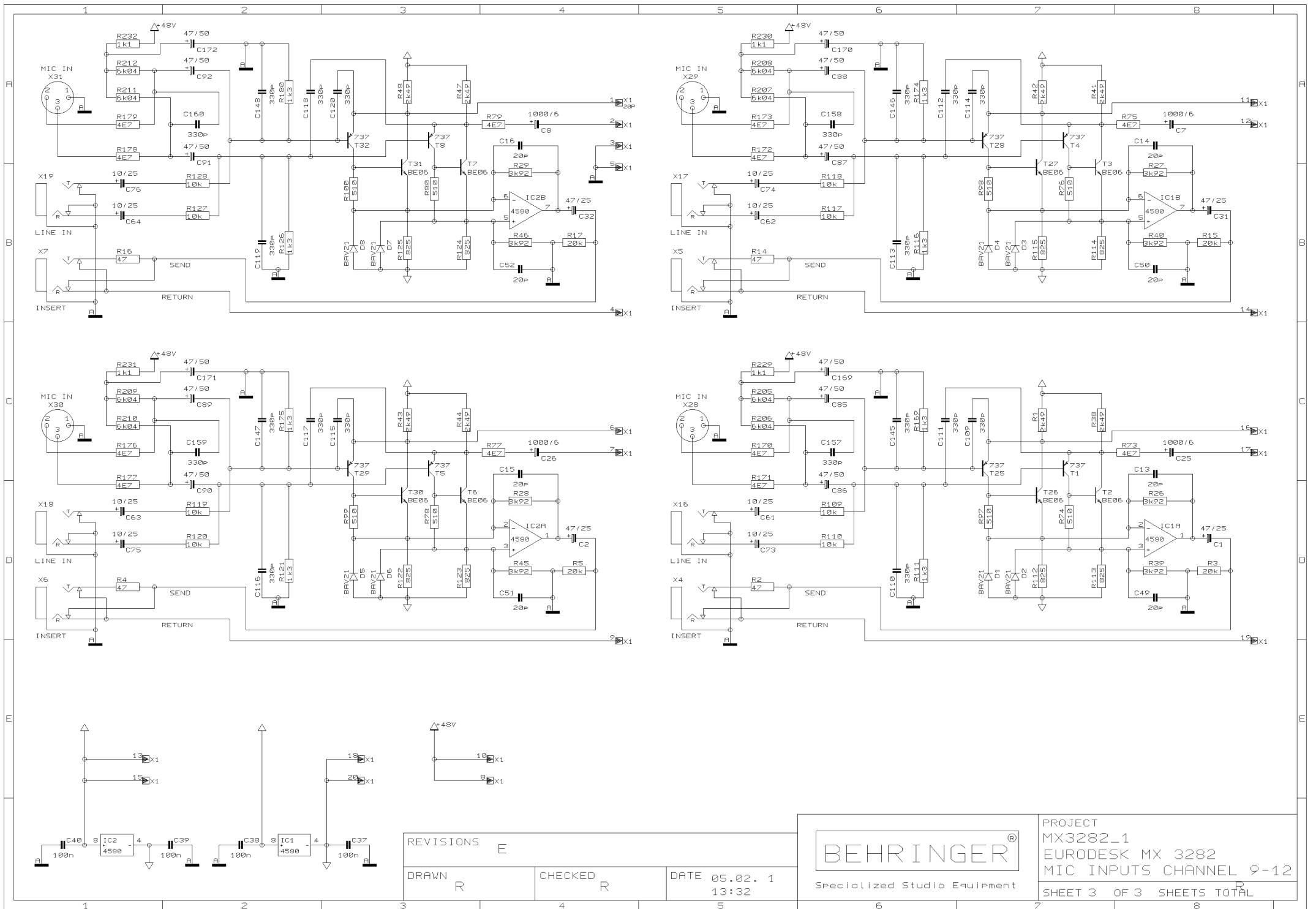
PROJECT
MX3282_1
EURODESK MX 3282
MIC INPUTS CHANNEL 1-4
SHEET 1 OF 3 SHEETS TOTAL



REVISIONS	E
DRAWN	R
CHECKED	R
DATE	05.02. 1 13:32



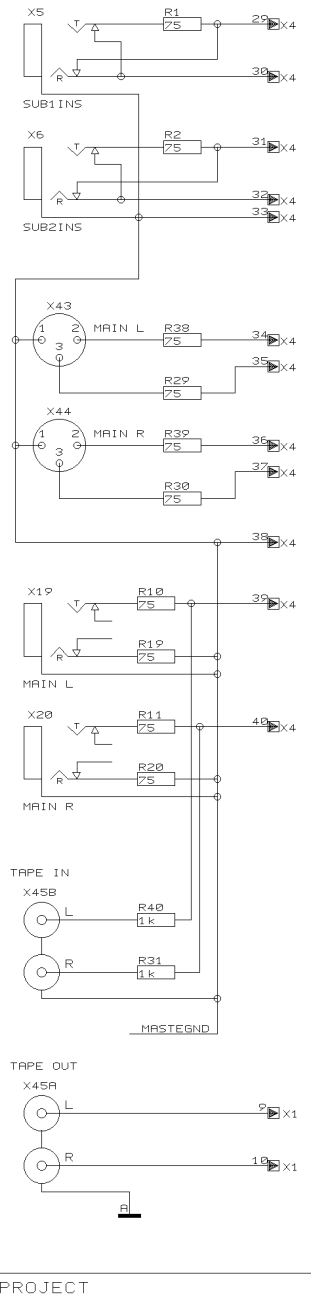
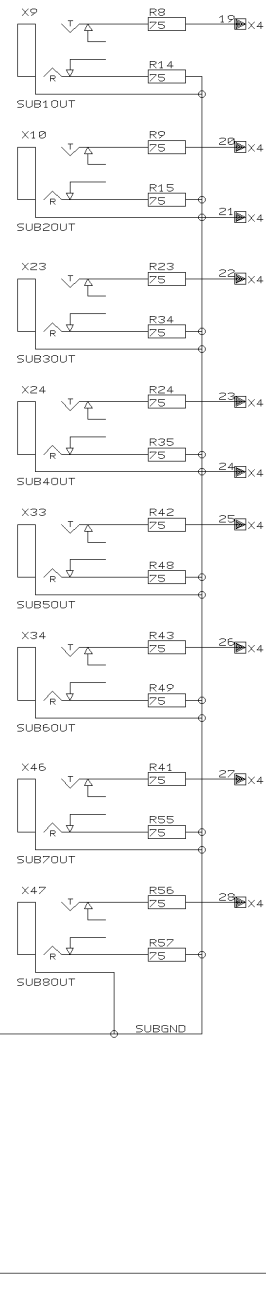
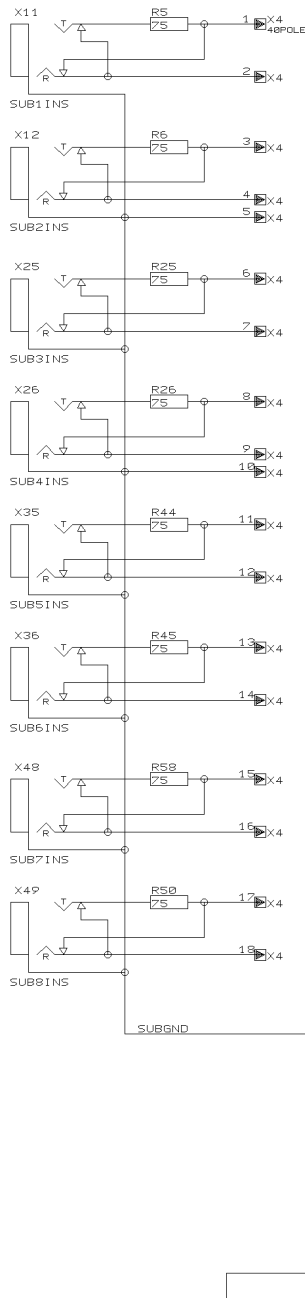
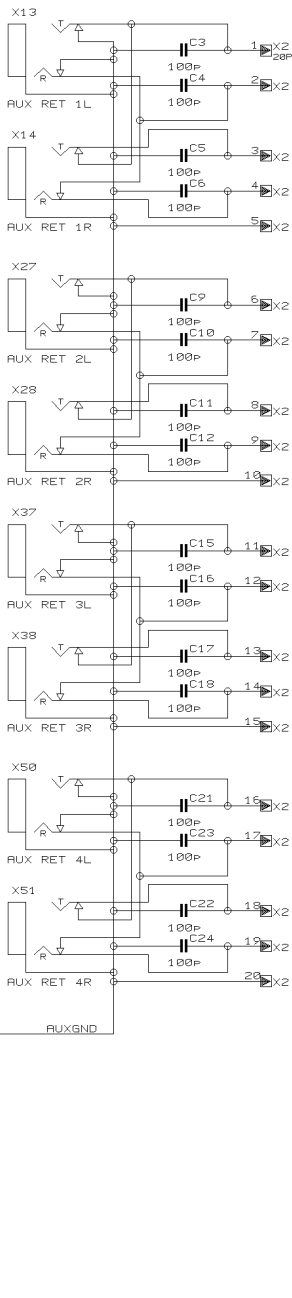
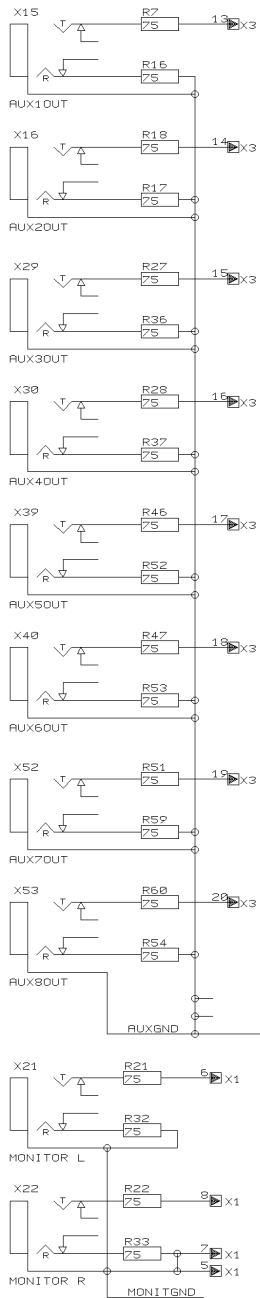
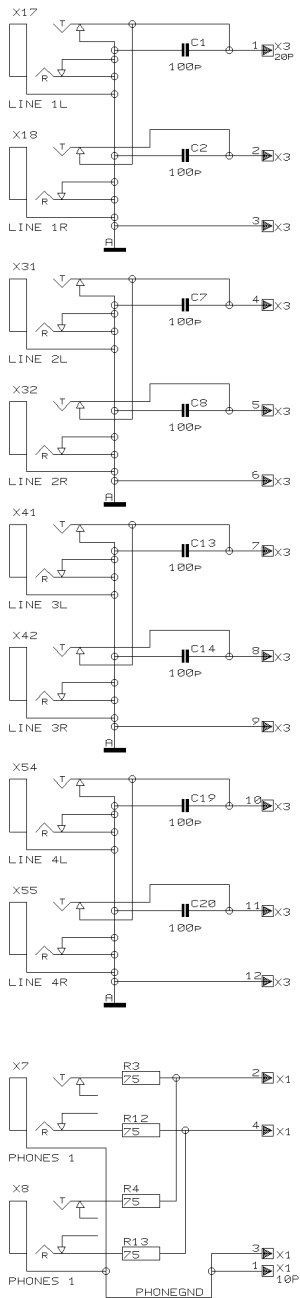
PROJECT
MX3282_1
EURODESK MX 3282
MIC INPUTS CHANNEL 5-8
SHEET 2 OF 3 SHEETS TOTAL



REVISIONS	E
DRAWN	R
CHECKED	R
DATE	05.02. 1 13:32



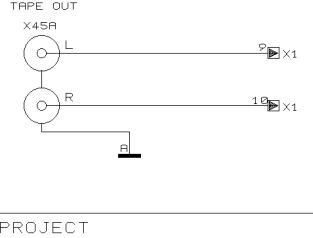
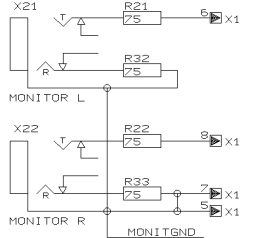
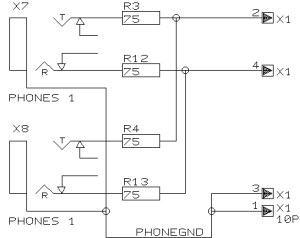
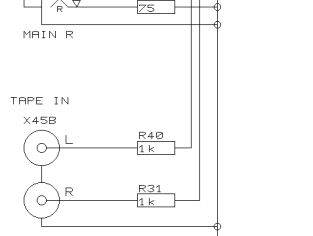
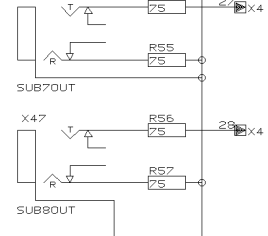
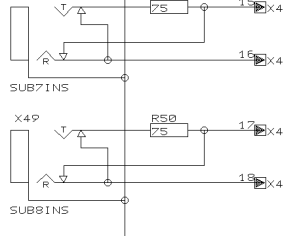
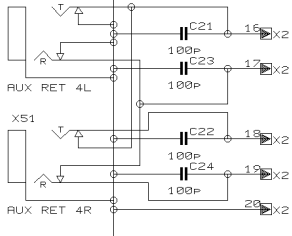
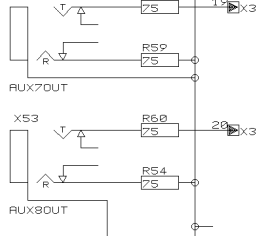
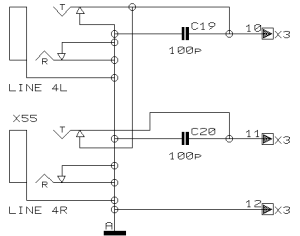
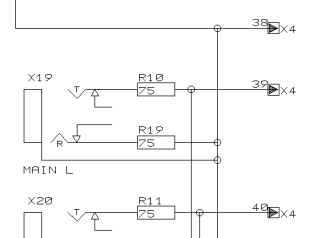
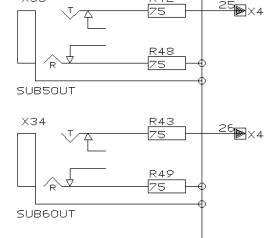
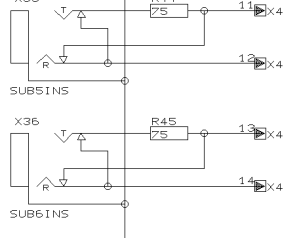
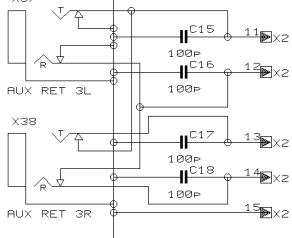
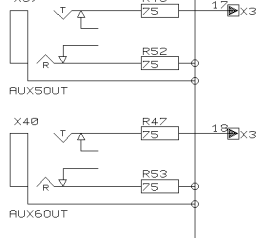
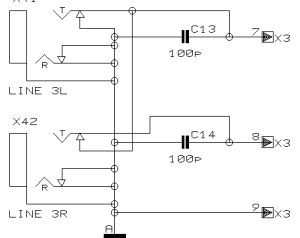
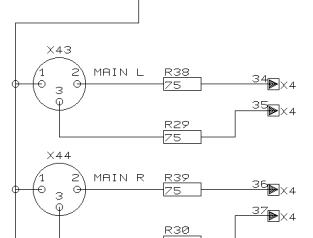
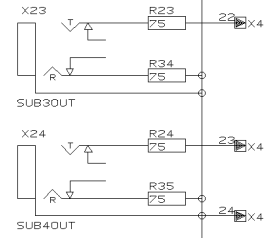
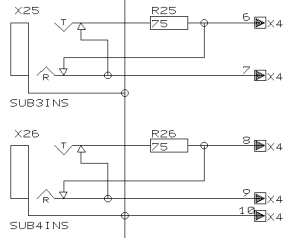
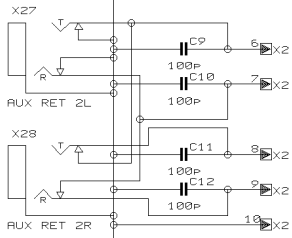
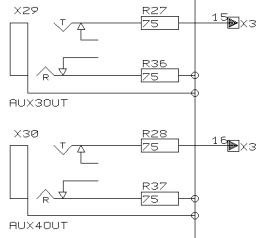
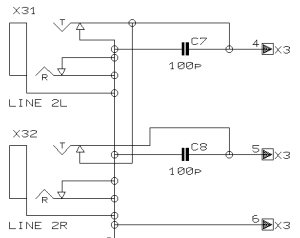
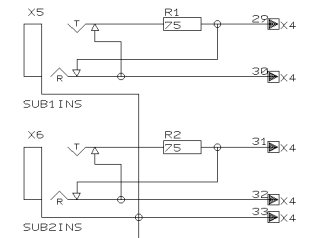
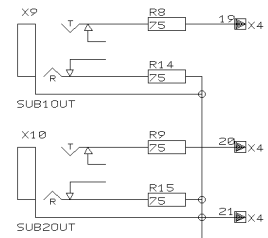
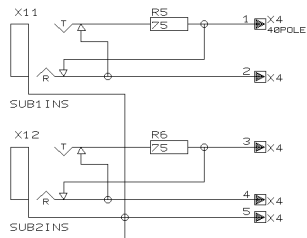
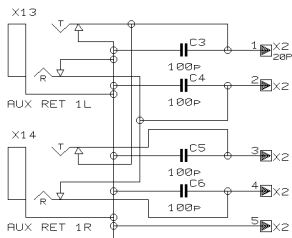
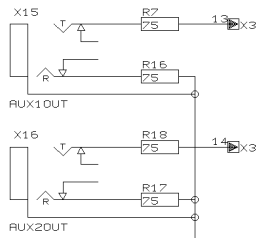
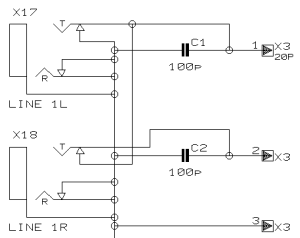
PROJECT
MX3282_1
EURODESK MX 3282
MIC INPUTS CHANNEL 9-12
SHEET 3 OF 3 SHEETS TOTAL



REVISIONS		
D		
DRAWN	CHECKED	DATE
R	R	05.02. 1 13:33



PROJECT
 OUT
 EURODESK MX 3282
 OUTPUT BOARD
 SHEET 1 OF 1 SHEETS TOTAL



REVISIONS		
D		
DRAWN	CHECKED	DATE
R	R	05.02. 1 13:33



PROJECT
OUT2
EURODESK MX 3282
OUTPUT BOARD
SHEET 1 OF 1 SHEETS TOTAL