

REVISIONS G

DRAWN

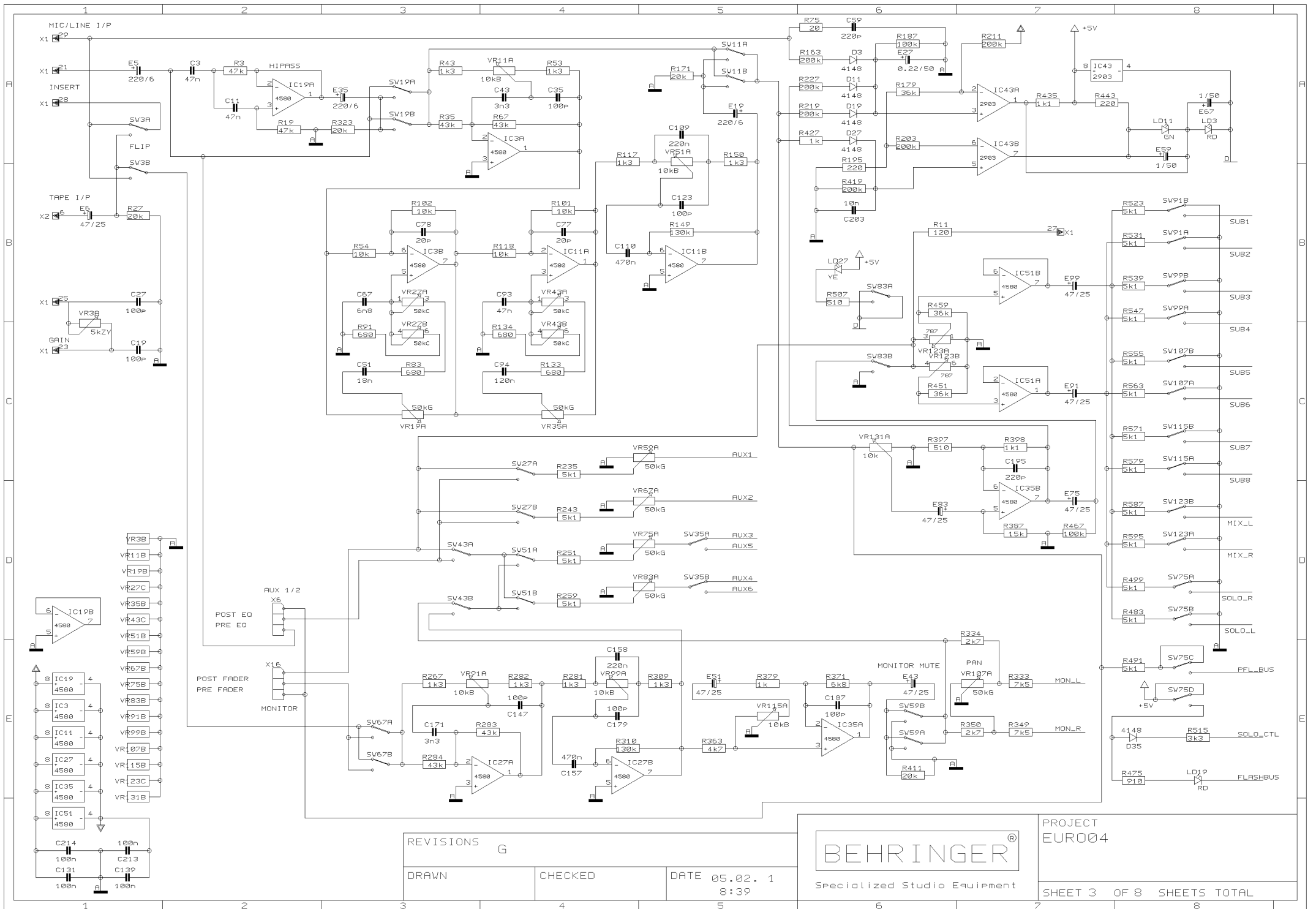
CHECKED

DATE 05.02. 1
8:39



PROJECT
EURO04

SHEET 1 OF 8 SHEETS TOTAL



REVISIONS G

DRAWN

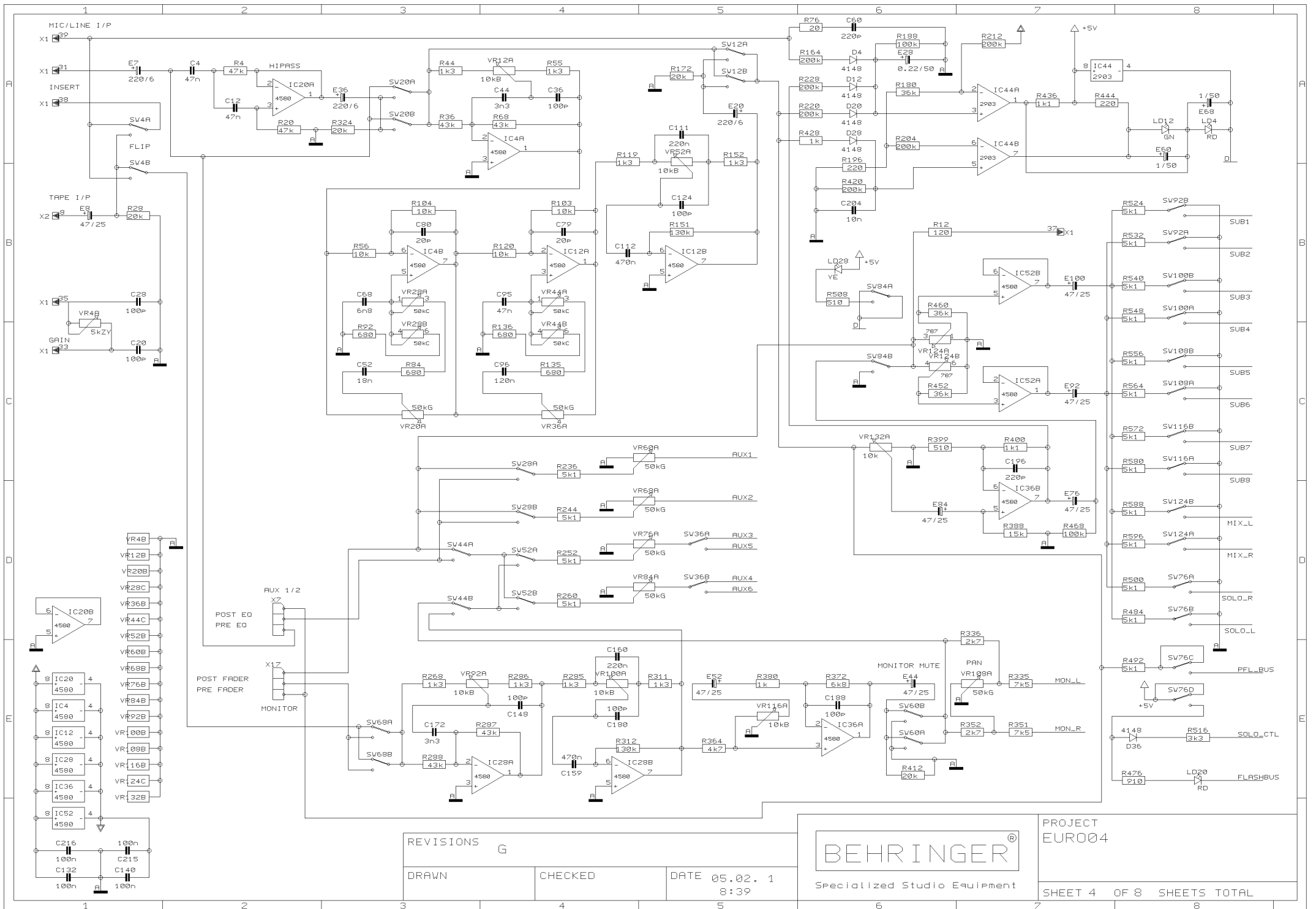
CHECKED

DATE 05.02. 1
8:39



PROJECT
EURO04

SHEET 3 OF 8 SHEETS TOTAL



REVISIONS G

DRAWN

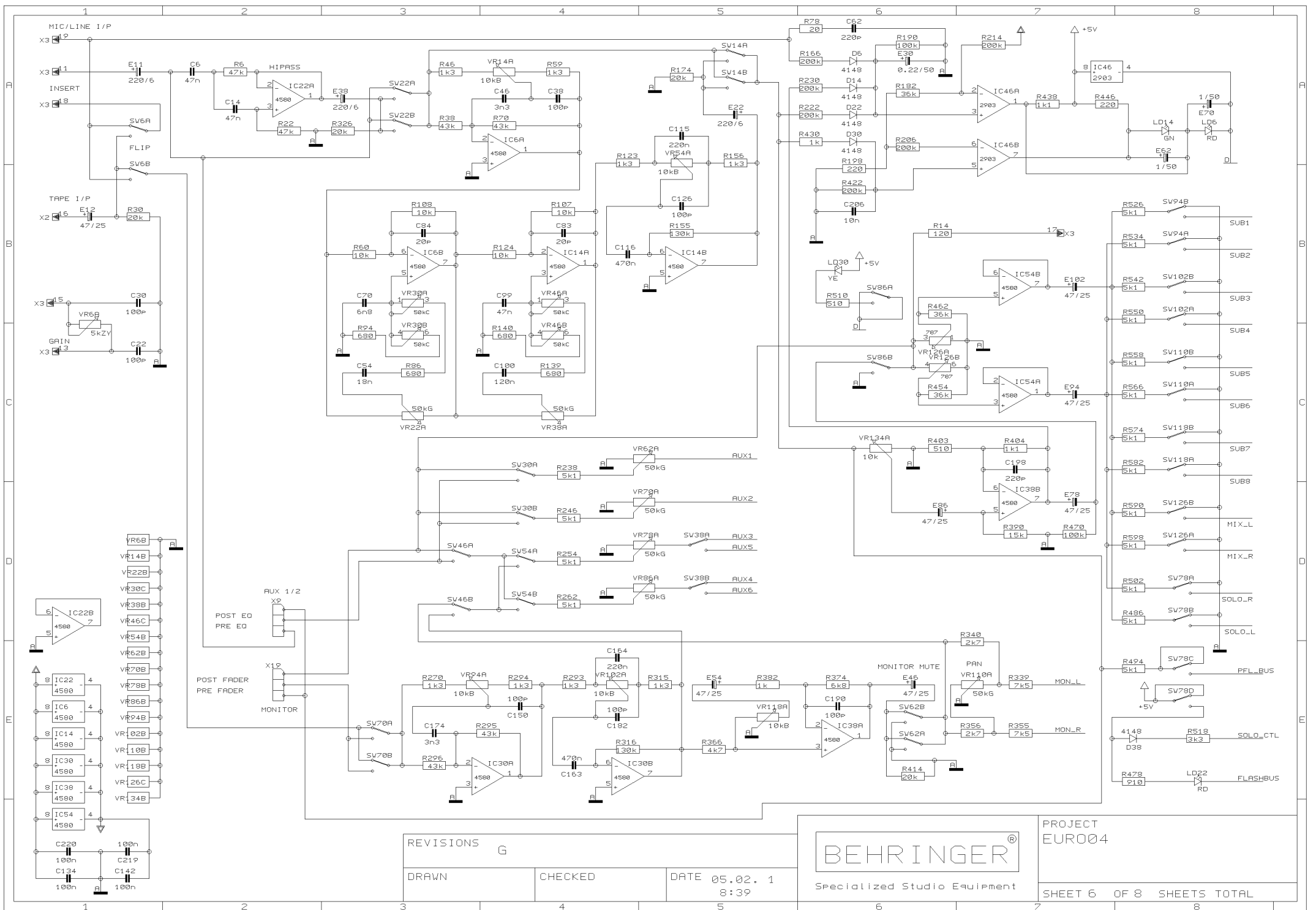
CHECKED

DATE 05.02. 1
8:39



PROJECT
EURO04

SHEET 4 OF 8 SHEETS TOTAL



REVISIONS G

DRAWN

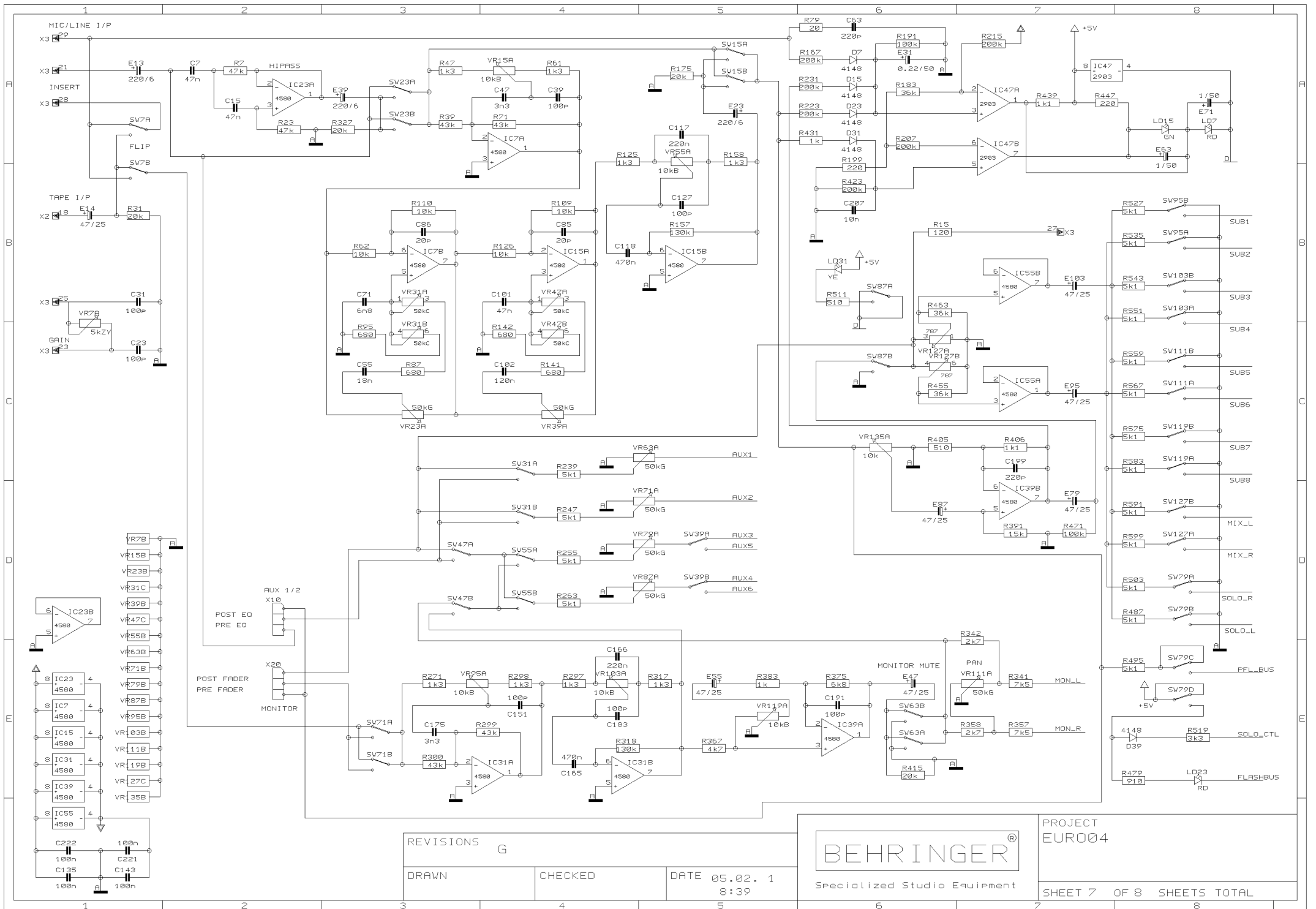
CHECKED

DATE 05.02. 1
8:39



PROJECT
EURO04

SHEET 6 OF 8 SHEETS TOTAL



REVISIONS G

DRAWN

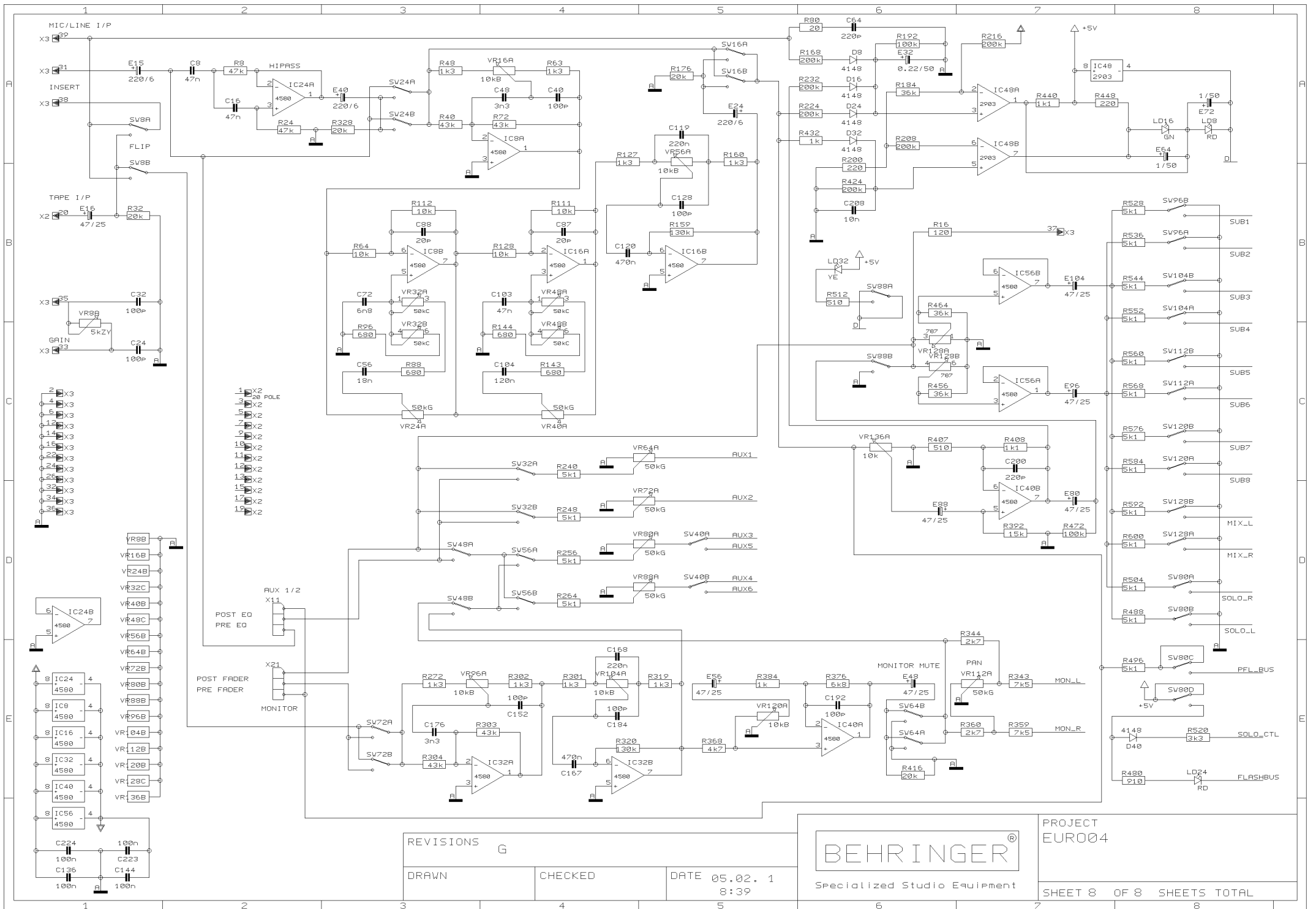
CHECKED

DATE 05.02. 1
8:39

BEHRINGER®
Specialized Studio Equipment

PROJECT
EURO04

SHEET 7 OF 8 SHEETS TOTAL



REVISIONS G

DRAWN

CHECKED

DATE 05.02. 1
8:39



PROJECT
EURO04

SHEET 8 OF 8 SHEETS TOTAL