

REVISIONS F

DRAWN

CHECKED

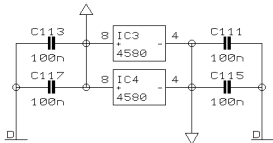
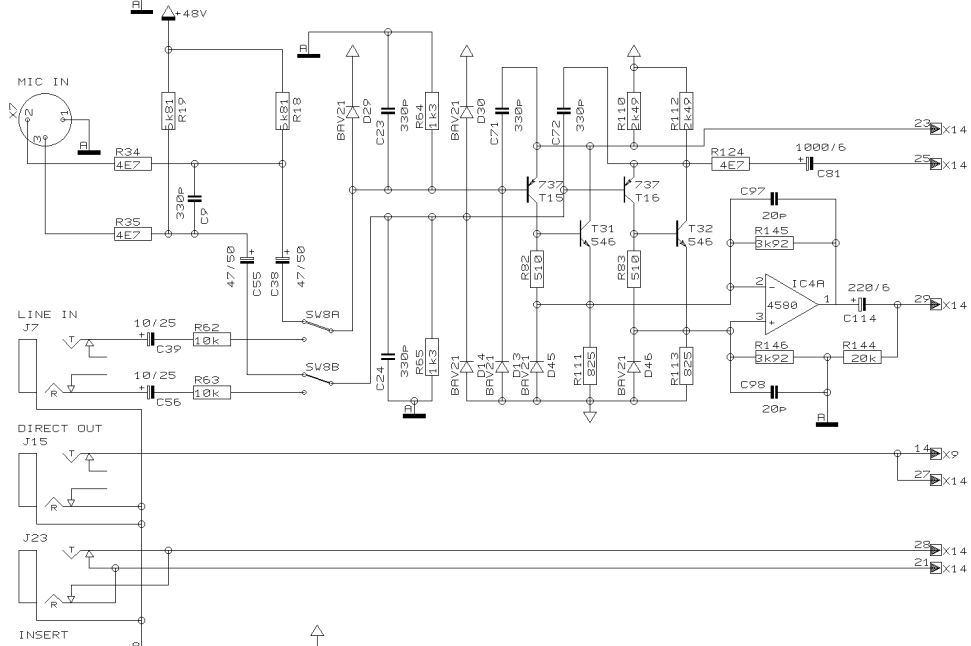
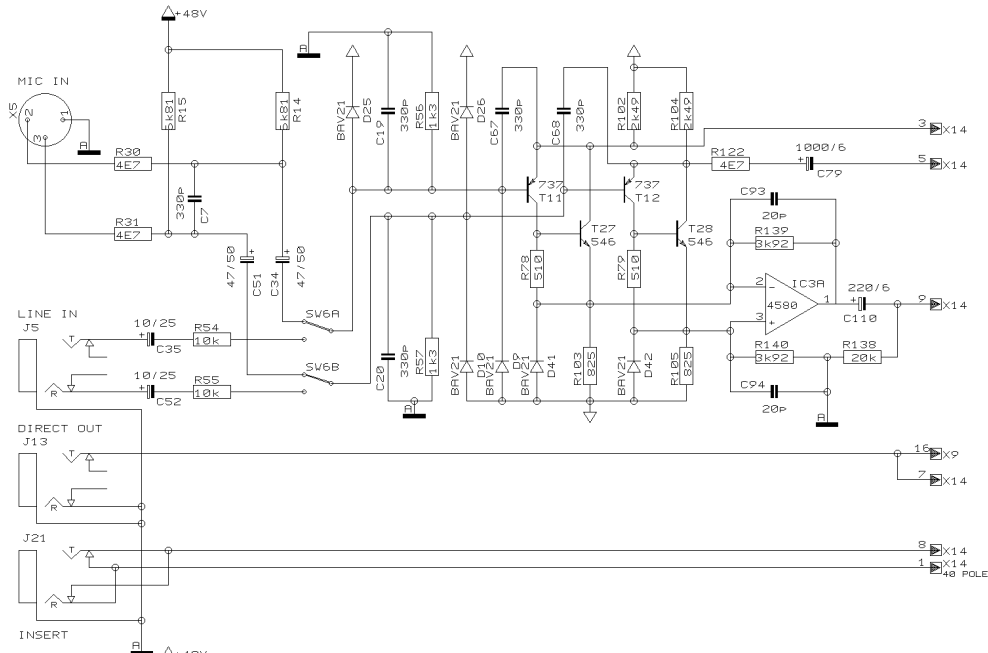
DATE 05.02. 1
8:34



Specialized Studio Equipment

PROJECT
EURO03
MIC CHANNEL 1-4
MX8000

SHEET 1 OF 3 SHEETS TOTAL



REVISIONS F

DRAWN

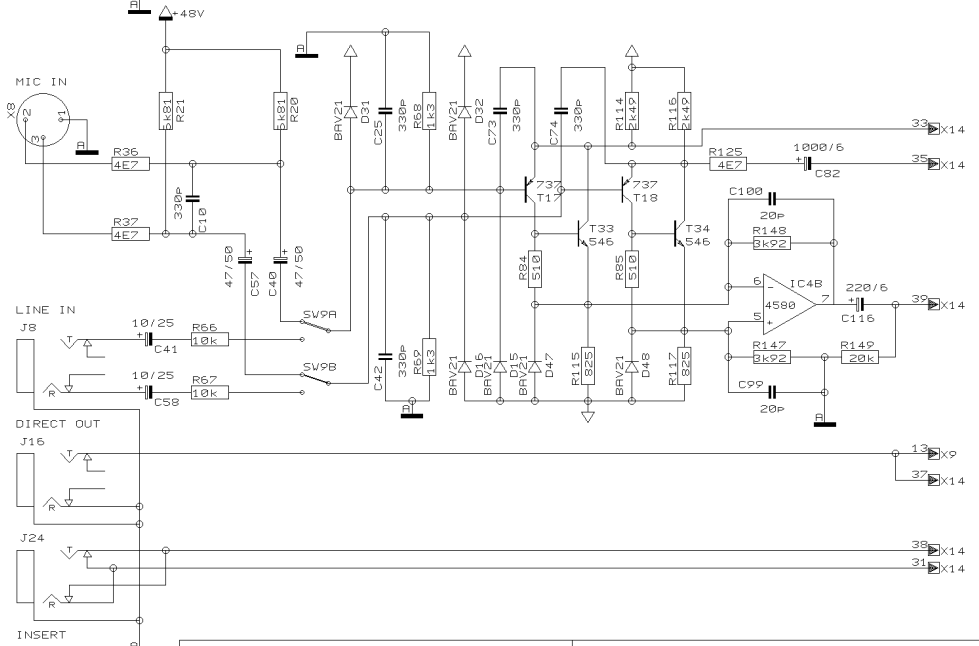
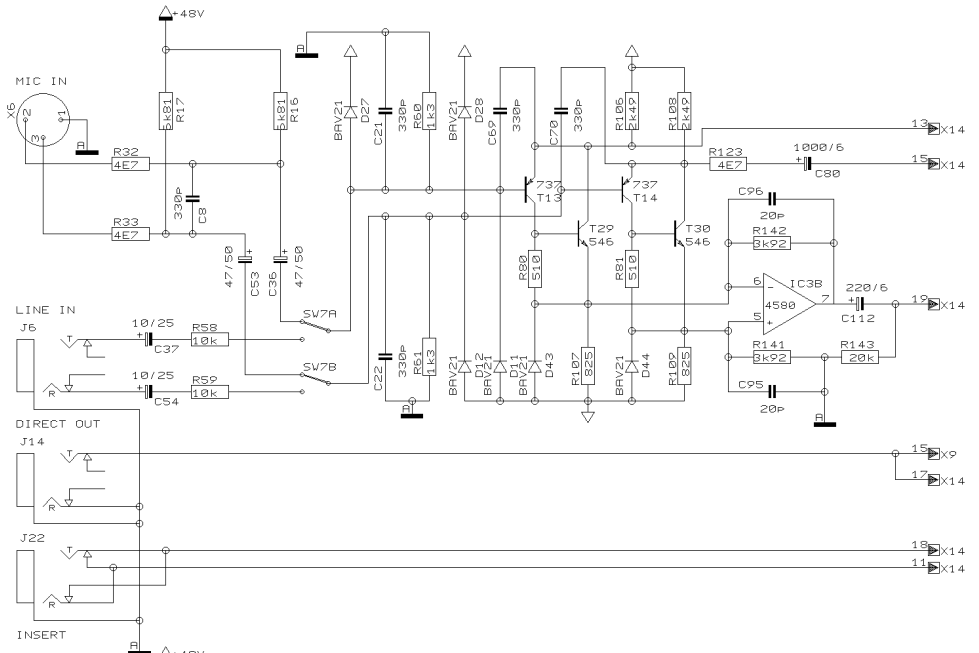
CHECKED

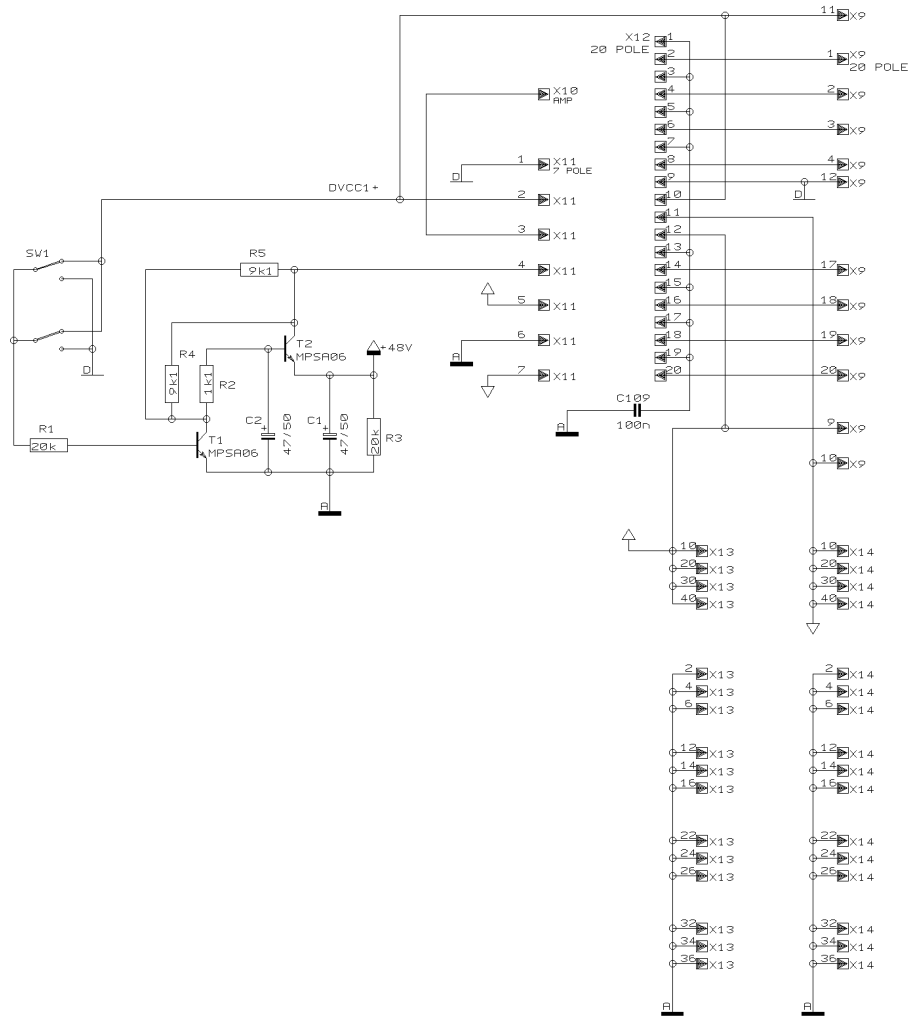
DATE 05.02. 1
8:34



PROJECT
EURO03
MIC CHANNEL 5-8
MX 8000

SHEET 2 OF 3 SHEETS TOTAL





REVISIONS

F

DRAWN

CHECKED

DATE 05.02. 1
8:35

BEHRINGER®

Specialized Studio Equipment

PROJECT
EURO03
POWER DISTRIBUTION
MX 8000

SHEET 3 OF 3 SHEETS TOTAL