

REVISIONS E (15/01/03)

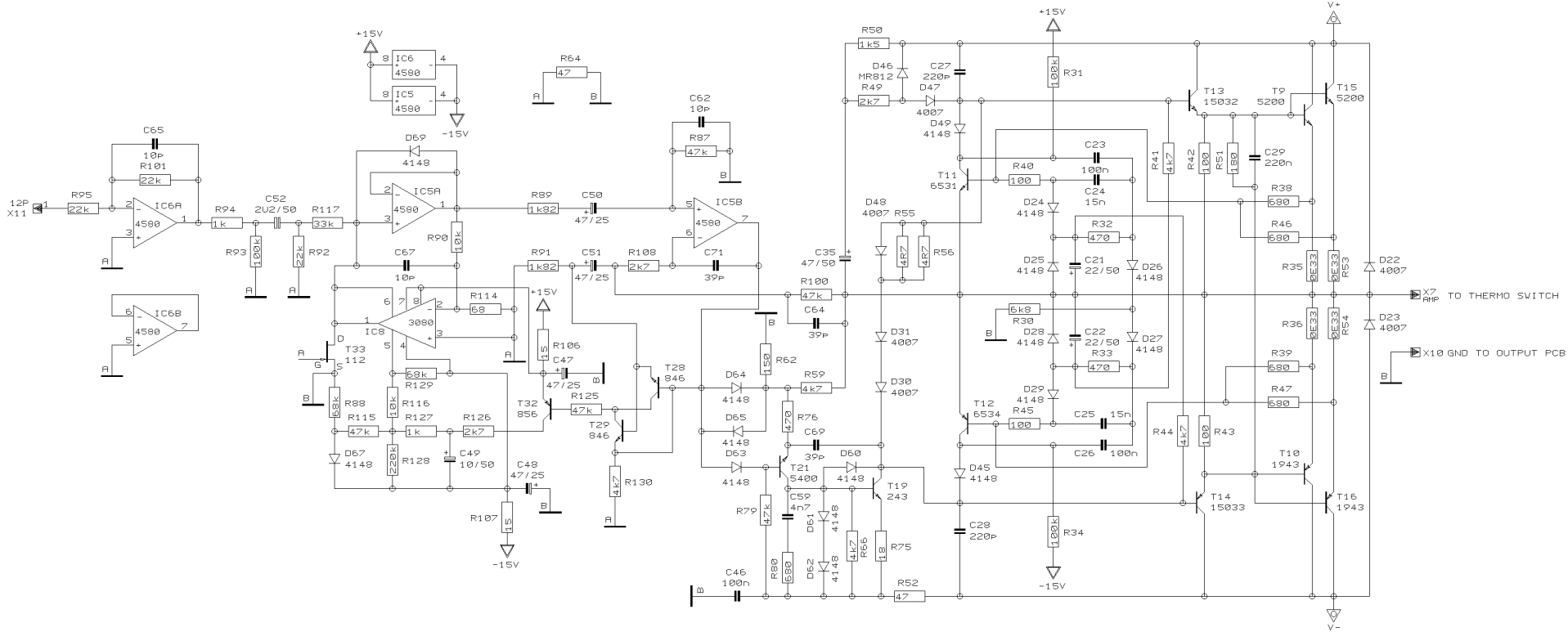
DRAWN BHK

CHECKED

DATE 19.02. 3
17:15



PROJECT P2502
EUROPOWER
POWER AMP_L
SHEET 1 OF 2 SHEETS TOTAL



REVISIONS

E

DRAWN

BHK

CHECKED

DATE 19.02. 3
17:16

BEHRINGER®

Specialized Studio Equipment

PROJECT
P2502
EUROPOWER
POWER AMP_LR

SHEET 2 OF 2 SHEETS TOTAL