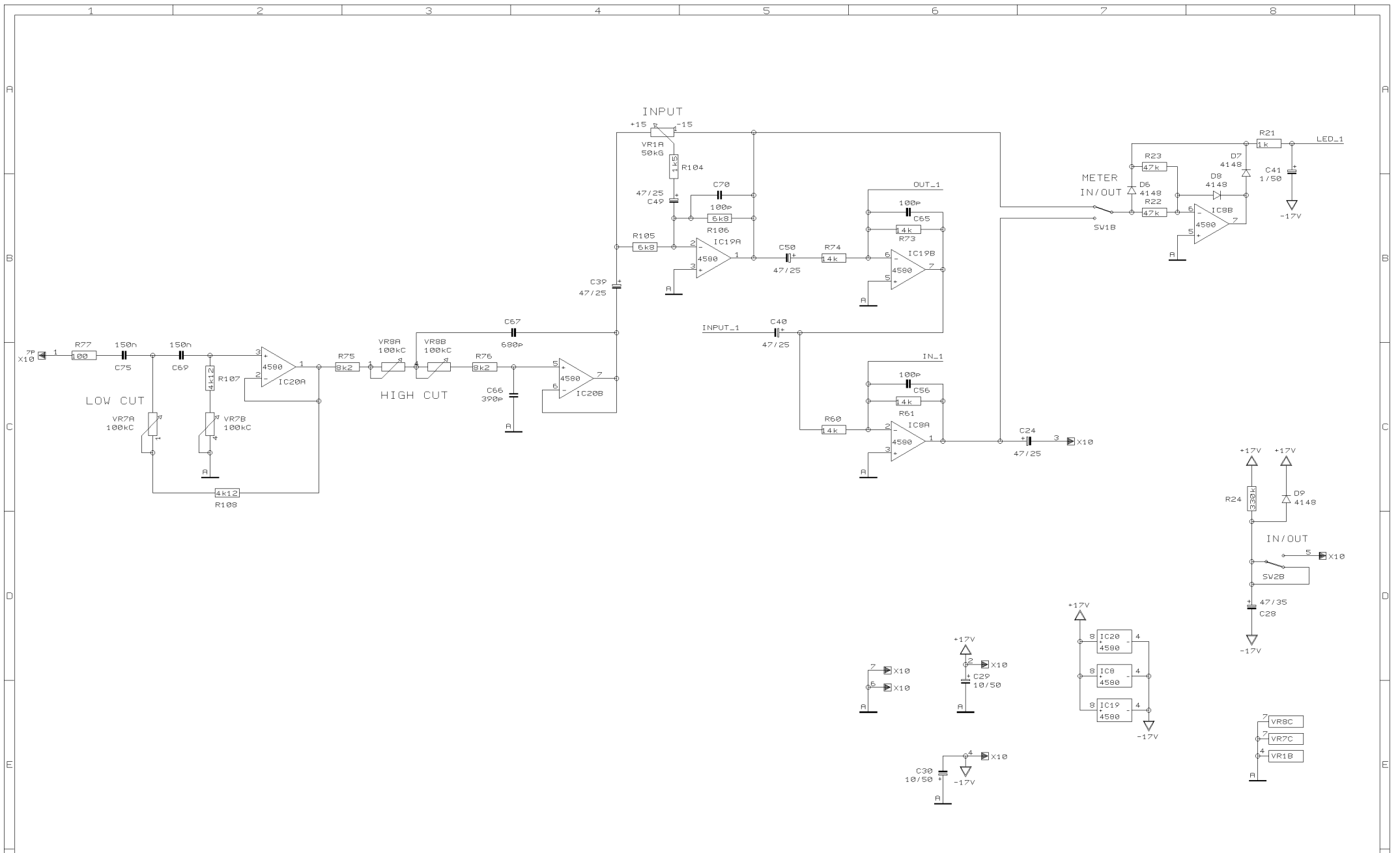


REVISIONS		
E		
DRAWN	CHECKED	DATE 16.02. 1 11:48



PROJECT
PEQ2200
ULTRA-0 PRO
IN/OUT SECTION
SHEET 1 OF 5 SHEETS TOTAL



REVISIONS

E

DRAWN

CHECKED

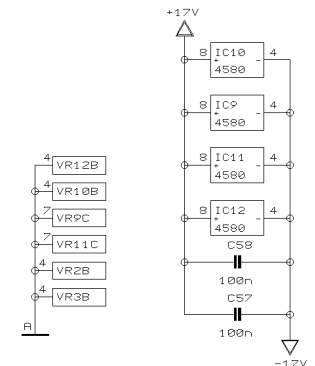
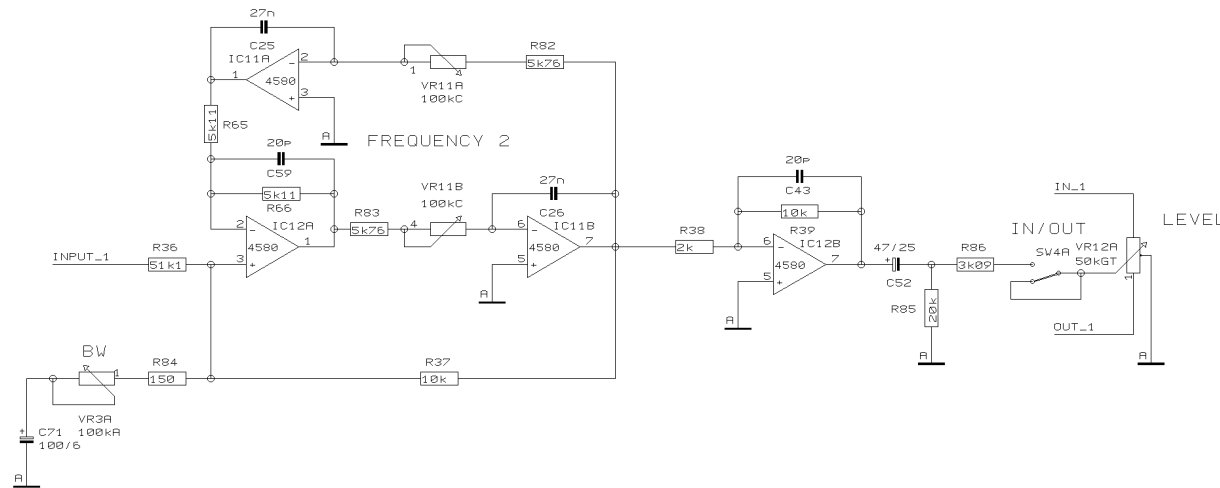
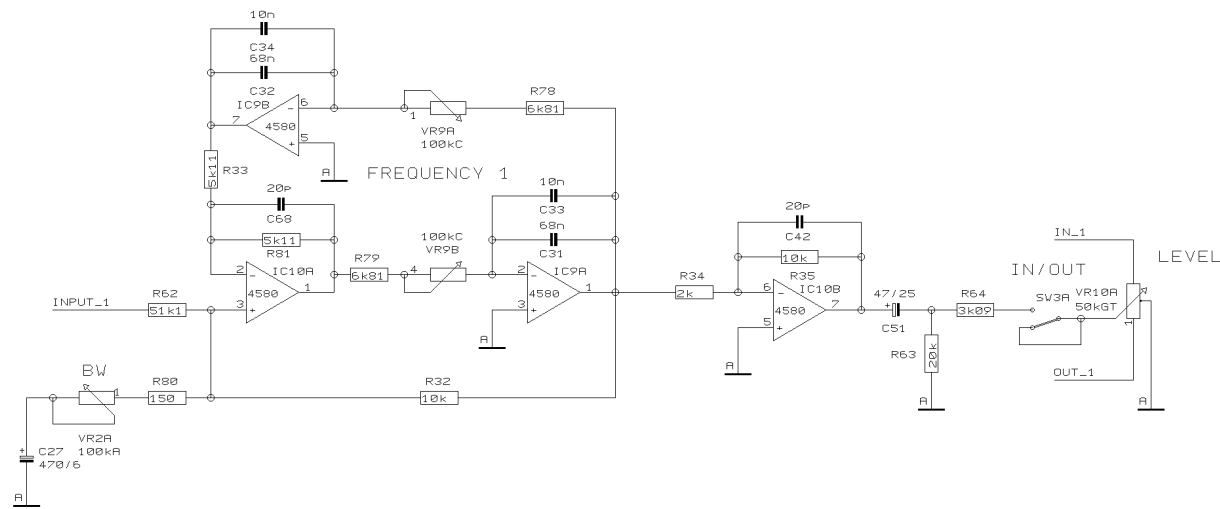
DATE 16.02. 1
11:48

BEHRINGER®

Specialized Studio Equipment

PROJECT
PEQ2200
ULTRA-Q PRO
MAIN SECTION

SHEET 2 OF 5 SHEETS TOTAL



REVISIONS

E

DRAWN

CHECKED

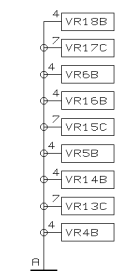
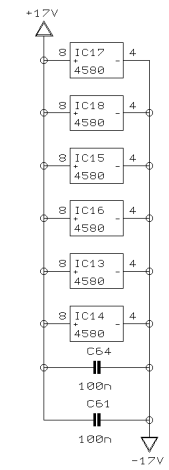
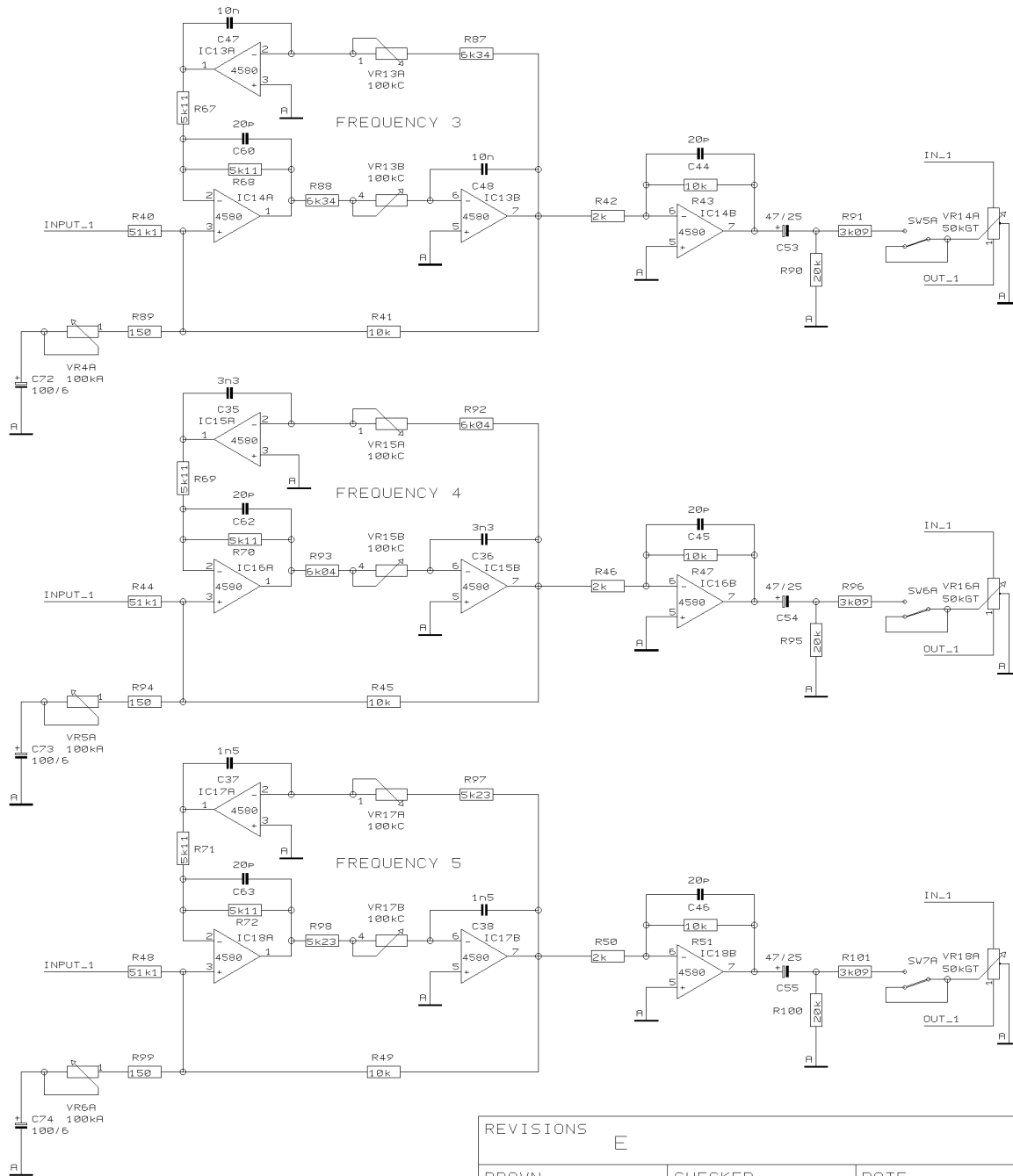
DATE 16.02. 1
11:48

BEHRINGER®

Specialized Studio Equipment

PROJECT
PEQ2200
ULTRA-Q PRO
FILTER 1 & 2

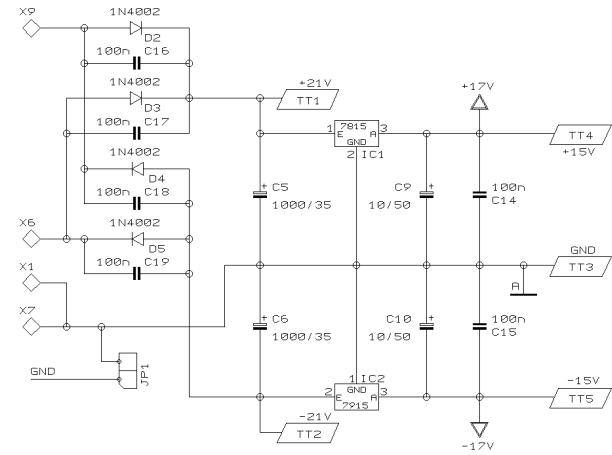
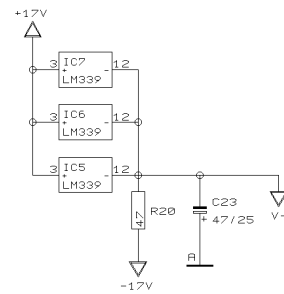
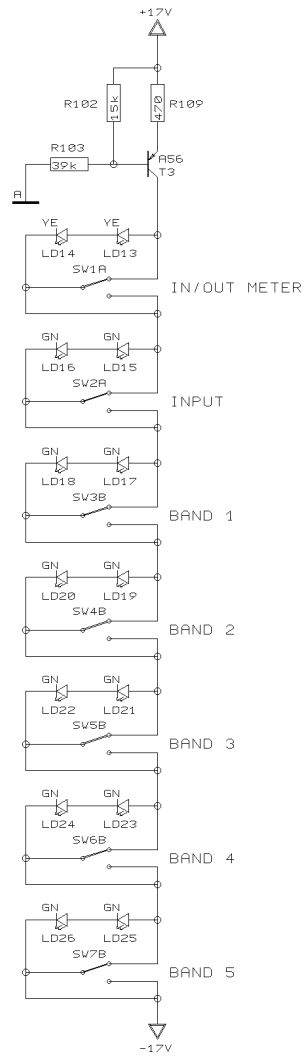
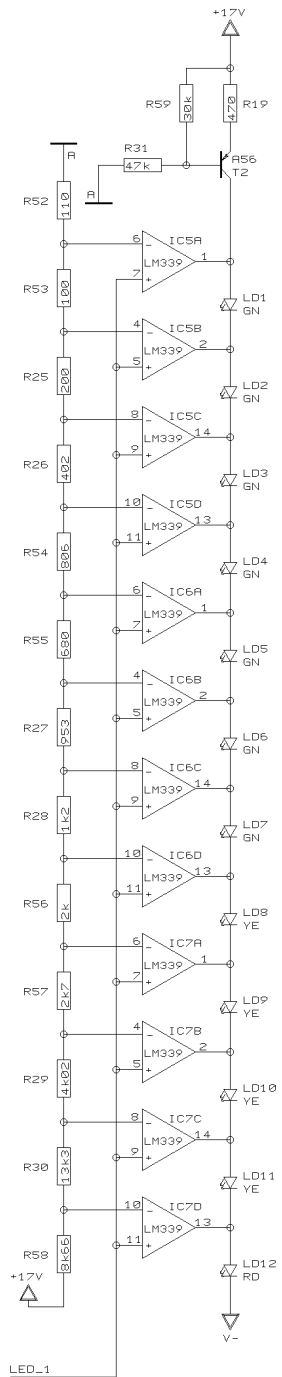
SHEET 3 OF 5 SHEETS TOTAL



REVISIONS		
E		
DRAWN	CHECKED	DATE 16.02. 11:48

BEHRINGER[®]
Specialized Studio Equipment

PROJECT
PEQ2200
ULTRA-Q PRO
FILTER 3 - 5
SHEET 4 OF 5 SHEETS TOTAL



REVISIONS

E

DRAWN

CHECKED

DATE 16.02. 1
11:48

BEHRINGER®

Specialized Studio Equipment

PROJECT
PEQ2200
ULTRAFXPRO
POWER SUPPLY

SHEET 5 OF 5 SHEETS TOTAL