

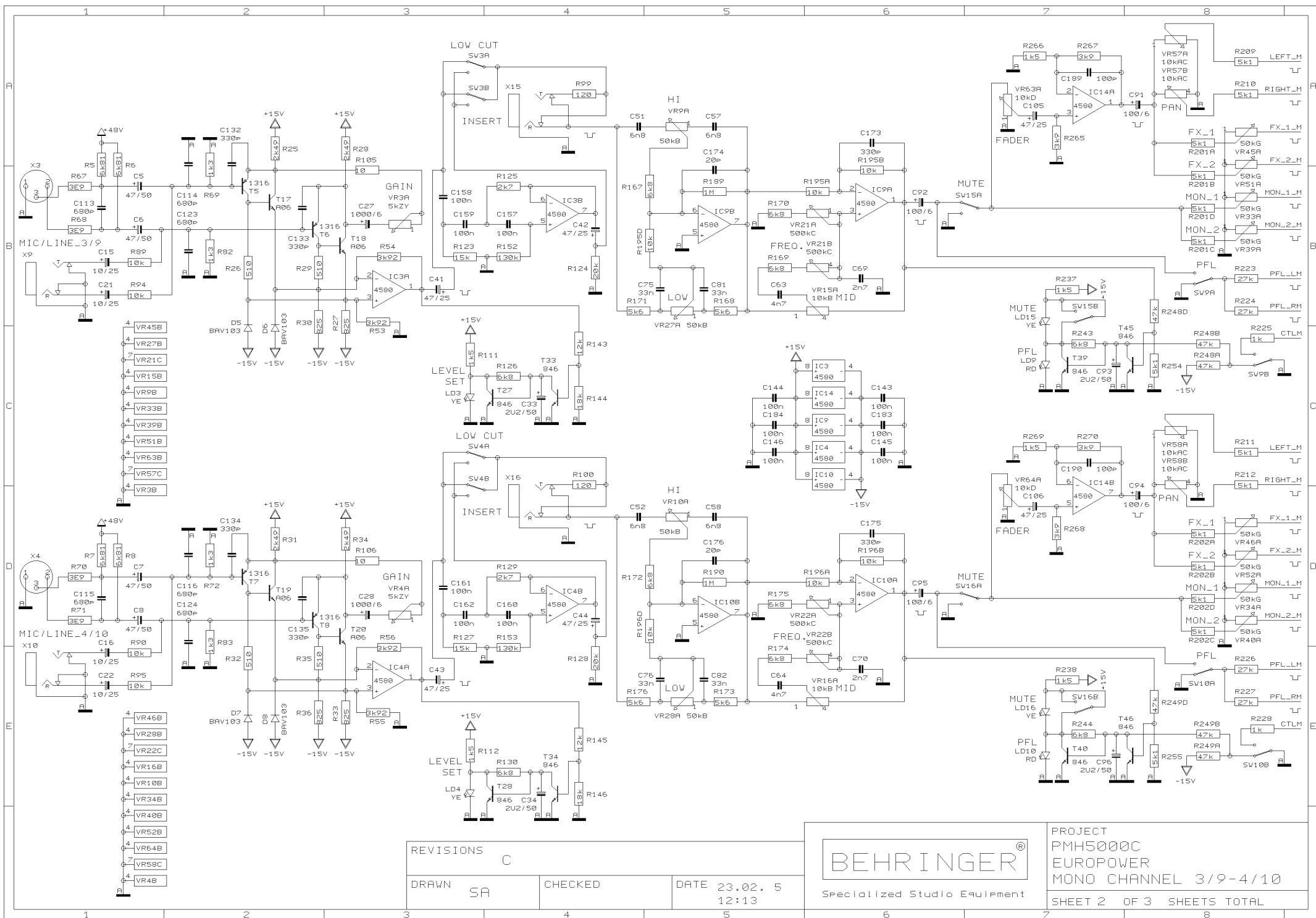
- 1 MIC/LINE_1/7
- 2 MIC/LINE_2/8
- 3 VR43B
- 4 VR25B
- 5 VR19C
- 6 VR13B
- 7 VR7B
- 8 VR31B
- 9 VR37B
- 10 VR49B
- 11 VR61B
- 12 VR55C
- 13 VR1B
- 14 VR44B
- 15 VR26B
- 16 VR20C
- 17 VR14B
- 18 VR8B
- 19 VR32B
- 20 VR38B
- 21 VR50B
- 22 VR62B
- 23 VR56C
- 24 VR2B

REVISIONS C (07/09/04)

DRAWN SA CHECKED DATE 23.02. 5 12:13



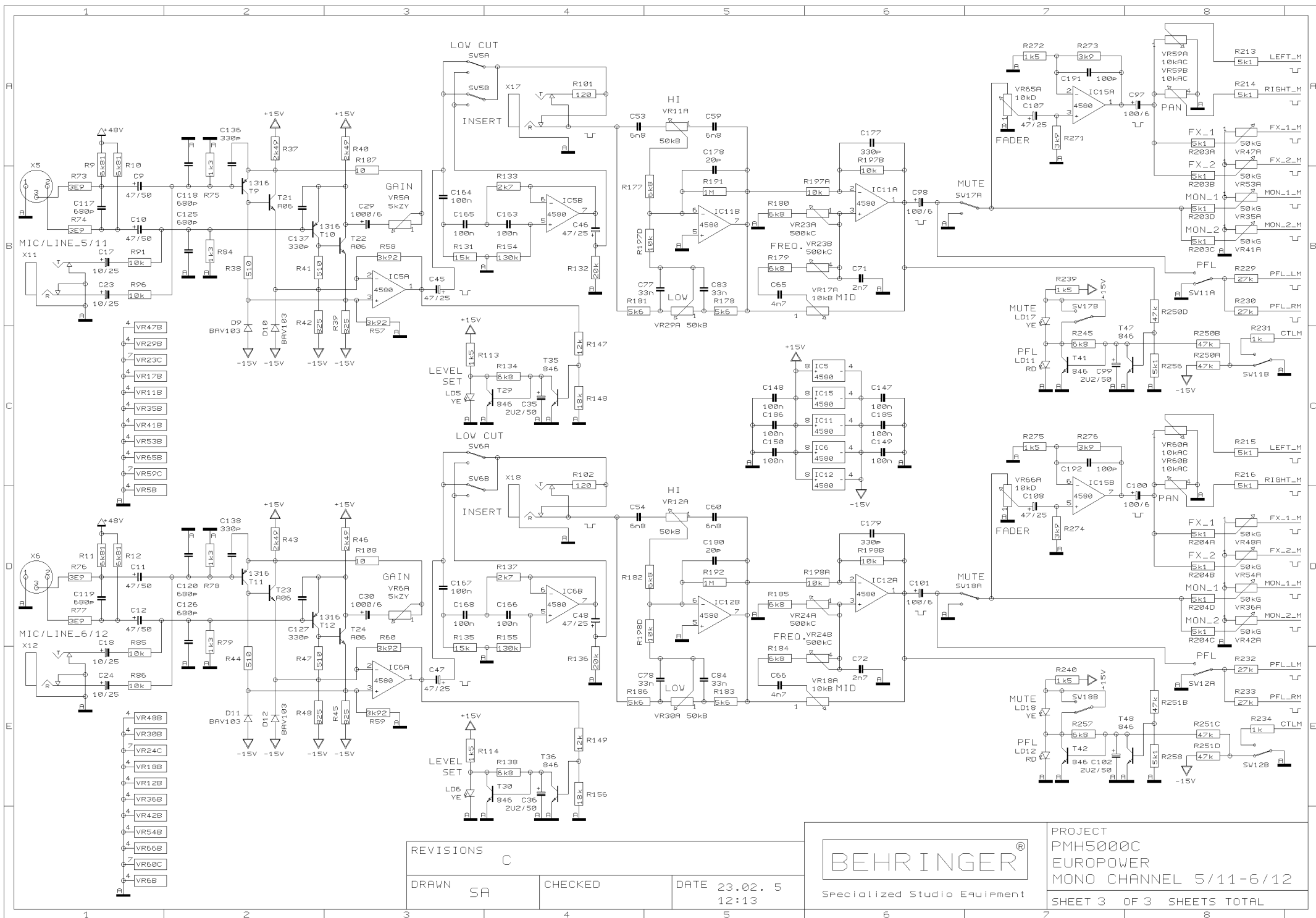
PROJECT PMH5000C
EUROPOWER
MONO CHANNEL 1/7-2/8
SHEET 1 OF 3 SHEETS TOTAL



REVISIONS	C		
DRAWN	SA	CHECKED	DATE 23.02. 5 12:13



PROJECT
PMH5000C
EUROPOWER
MONO CHANNEL 3/9-4/10
SHEET 2 OF 3 SHEETS TOTAL



REVISIONS	C		
DRAWN	SA	CHECKED	DATE 23.02. 5 12:13



PROJECT
PMH5000C
EUROPOWER
MONO CHANNEL 5/11-6/12
SHEET 3 OF 3 SHEETS TOTAL