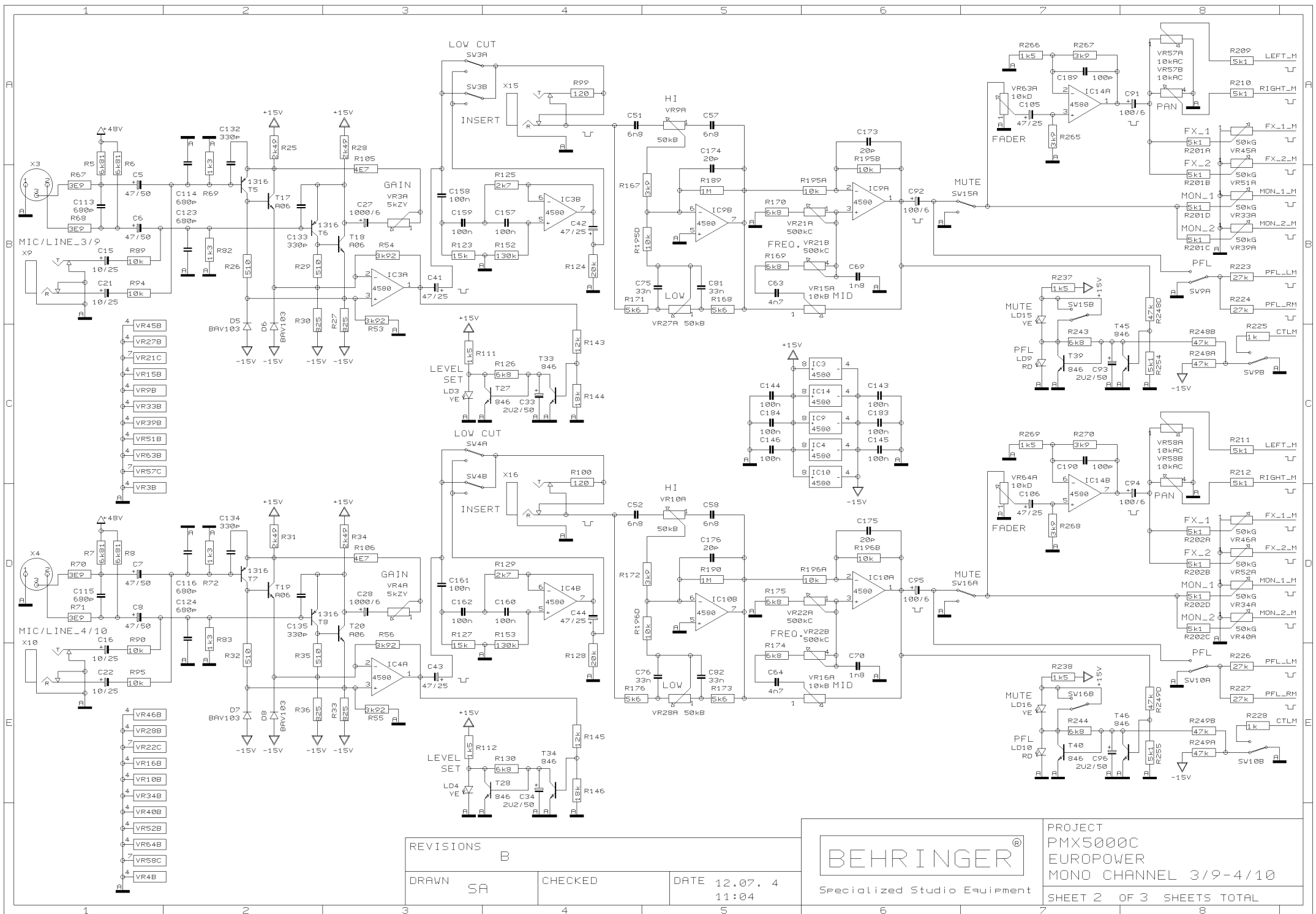


REVISIONS B (16/06/03)

DRAWN SA CHECKED DATE 12.07. 4 11:04



PROJECT PMX5000C
EUROPOWER
MONO CHANNEL 1/7-2/8
SHEET 1 OF 3 SHEETS TOTAL



REVISIONS B

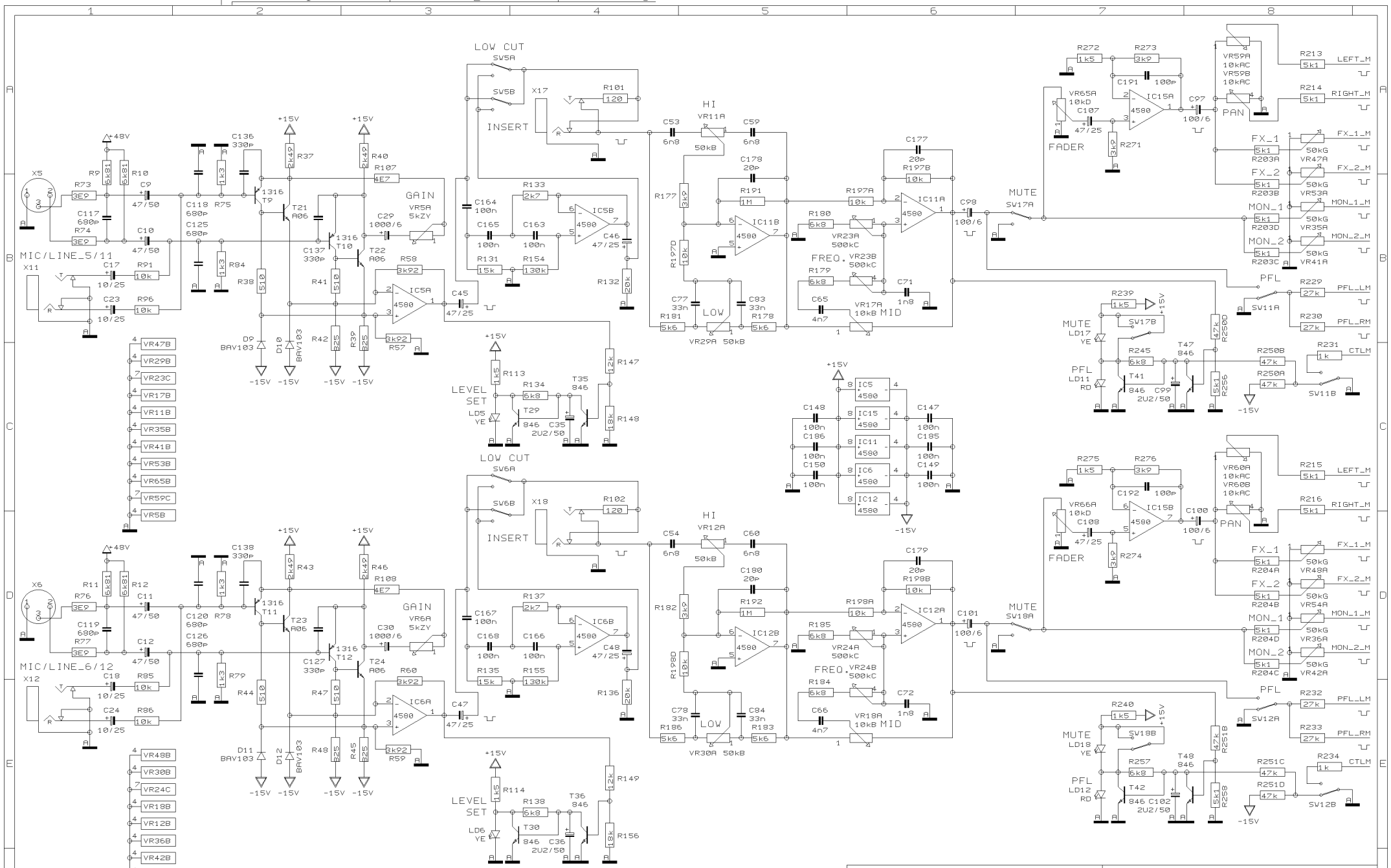
DRAWN SA

CHECKED

DATE 12.07. 4
11:04



PROJECT
PMX5000C
EUROPOWER
MONO CHANNEL 3/9-4/10
SHEET 2 OF 3 SHEETS TOTAL



REVISIONS B

DRAWN SA

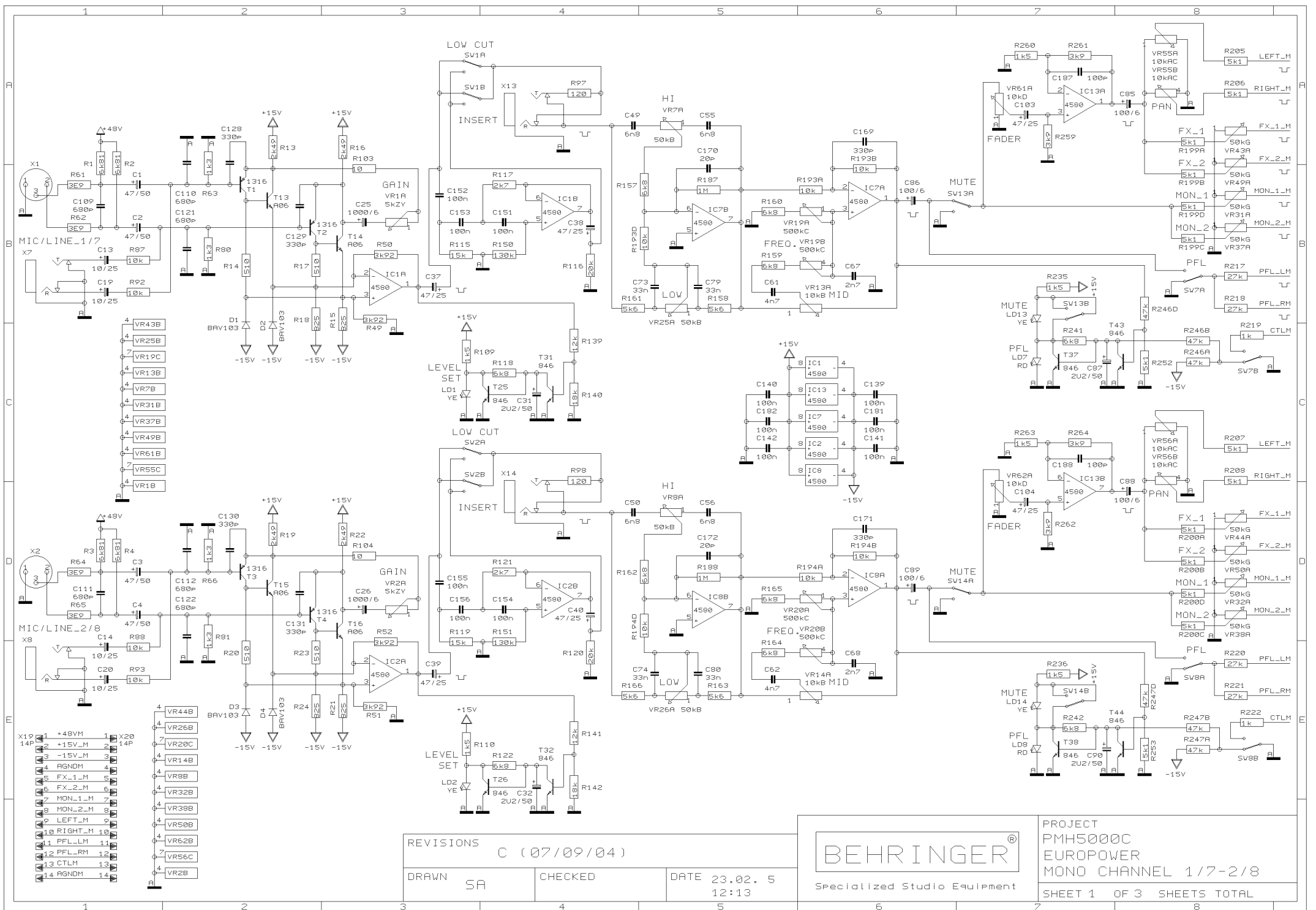
CHECKED

DATE 12.07. 4
11:05



Specialized Studio Equipment

PROJECT
PMX5000C
EUROPOWER
MONO CHANNEL 5/11-6/12
SHEET 3 OF 3 SHEETS TOTAL



- MIC/LINE_1/7
- MIC/LINE_2/8
- X19
- 1 +48VM
 - 2 +15V_M
 - 3 -15V_M
 - 4 AGNDM
 - 5 FX_1_M
 - 6 FX_2_M
 - 7 MON_1_M
 - 8 MON_2_M
 - 9 LEFT_M
 - 10 RIGHT_M
 - 11 PFL_LM
 - 12 PFL_RM
 - 13 CTLM
 - 14 AGNDM

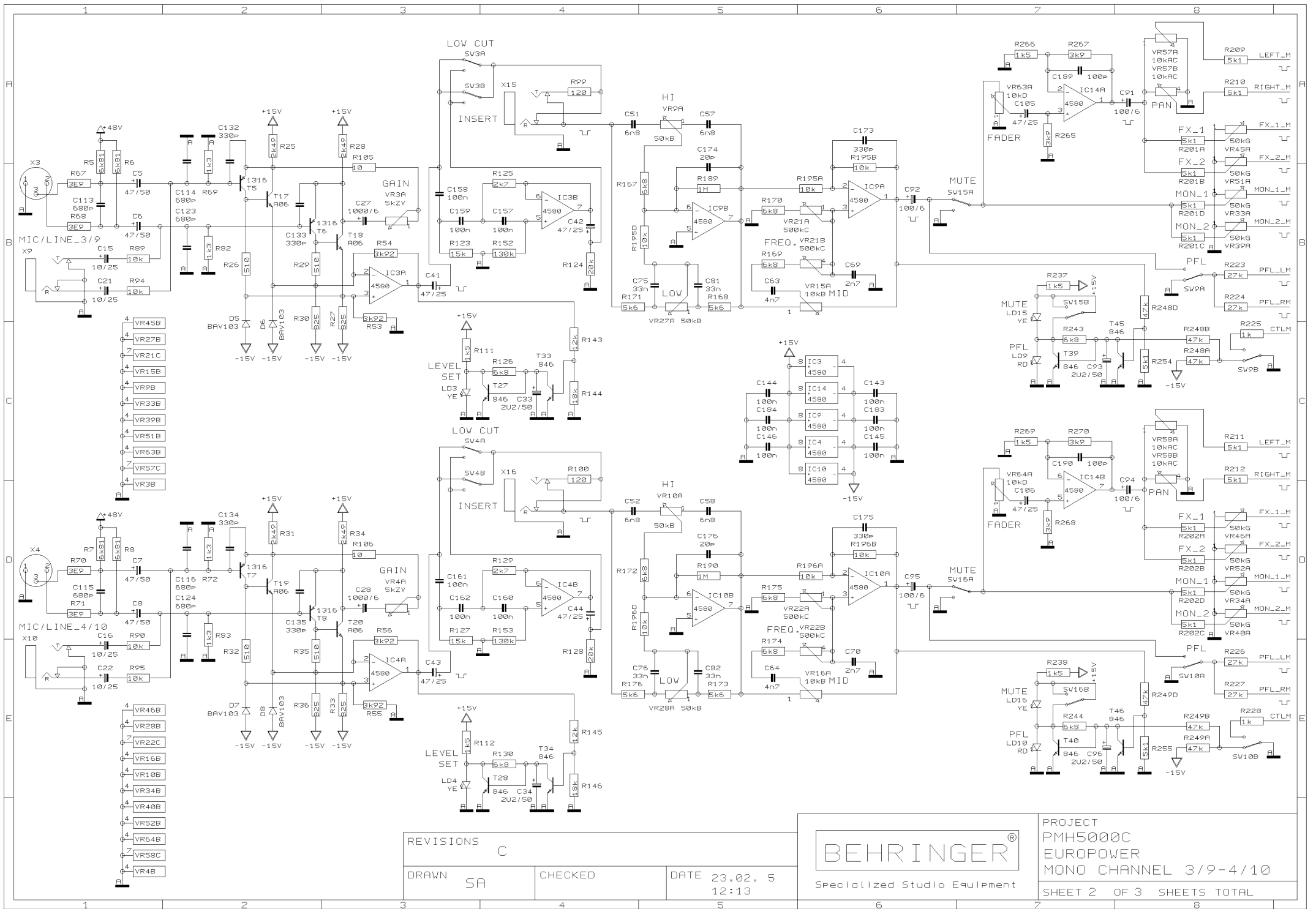
- 4 VR43B
- 4 VR25B
- 4 VR19C
- 4 VR7B
- 4 VR31B
- 4 VR37B
- 4 VR49B
- 4 VR61B
- 4 VR55C
- 4 VR1B
- 4 VR44B
- 4 VR26B
- 4 VR20C
- 4 VR14B
- 4 VR8B
- 4 VR32B
- 4 VR38B
- 4 VR50B
- 4 VR62B
- 4 VR56C
- 4 VR2B

REVISIONS C (07/09/04)

DRAWN SA CHECKED DATE 23.02. 5 12:13



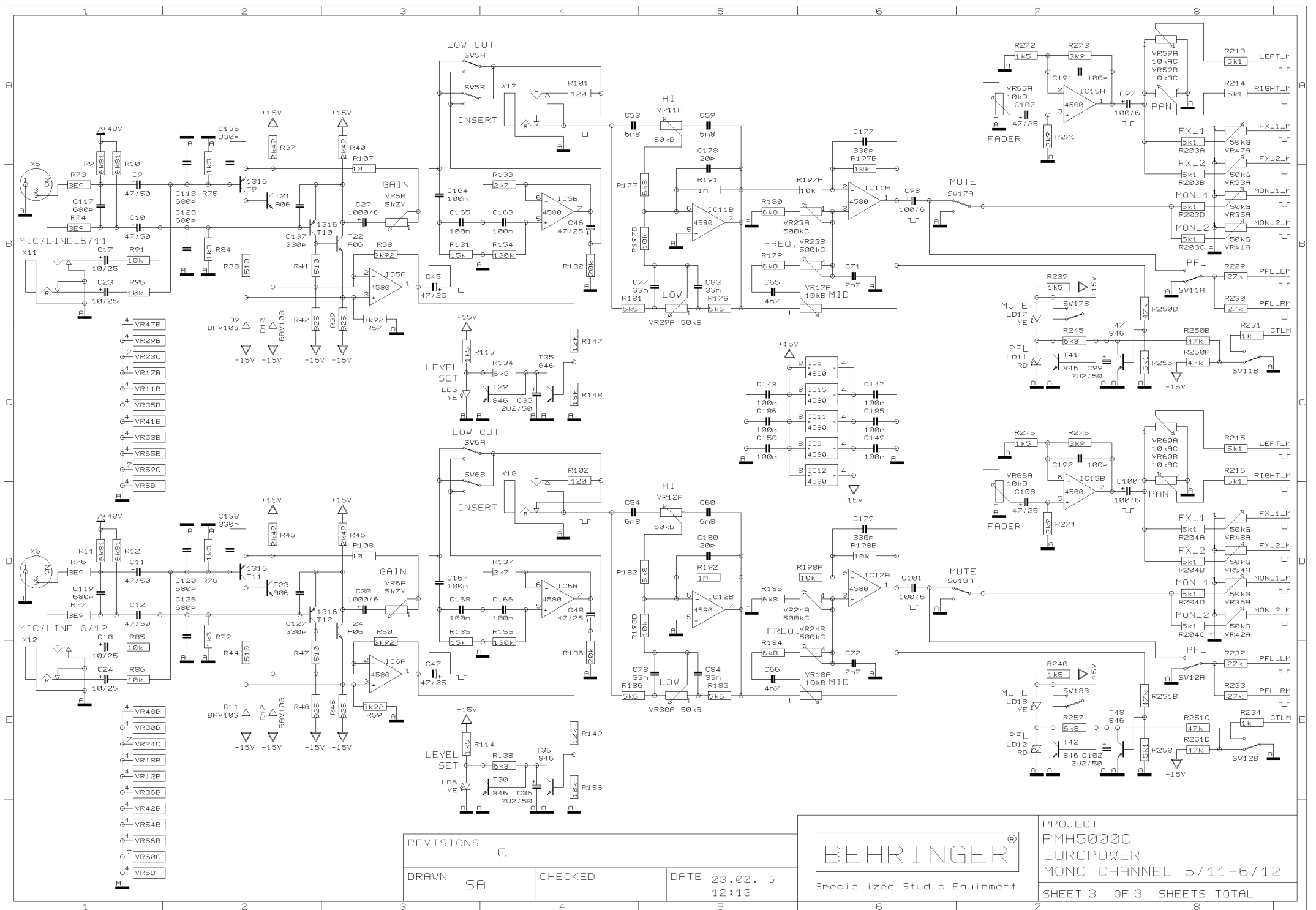
PROJECT PMH5000C
EUROPOWER
MONO CHANNEL 1/7-2/8
SHEET 1 OF 3 SHEETS TOTAL



REVISIONS	C		
DRAWN	SA	CHECKED	DATE 23.02. 5 12:13



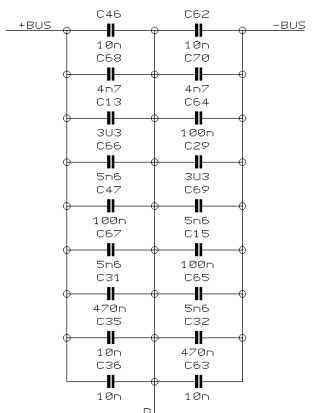
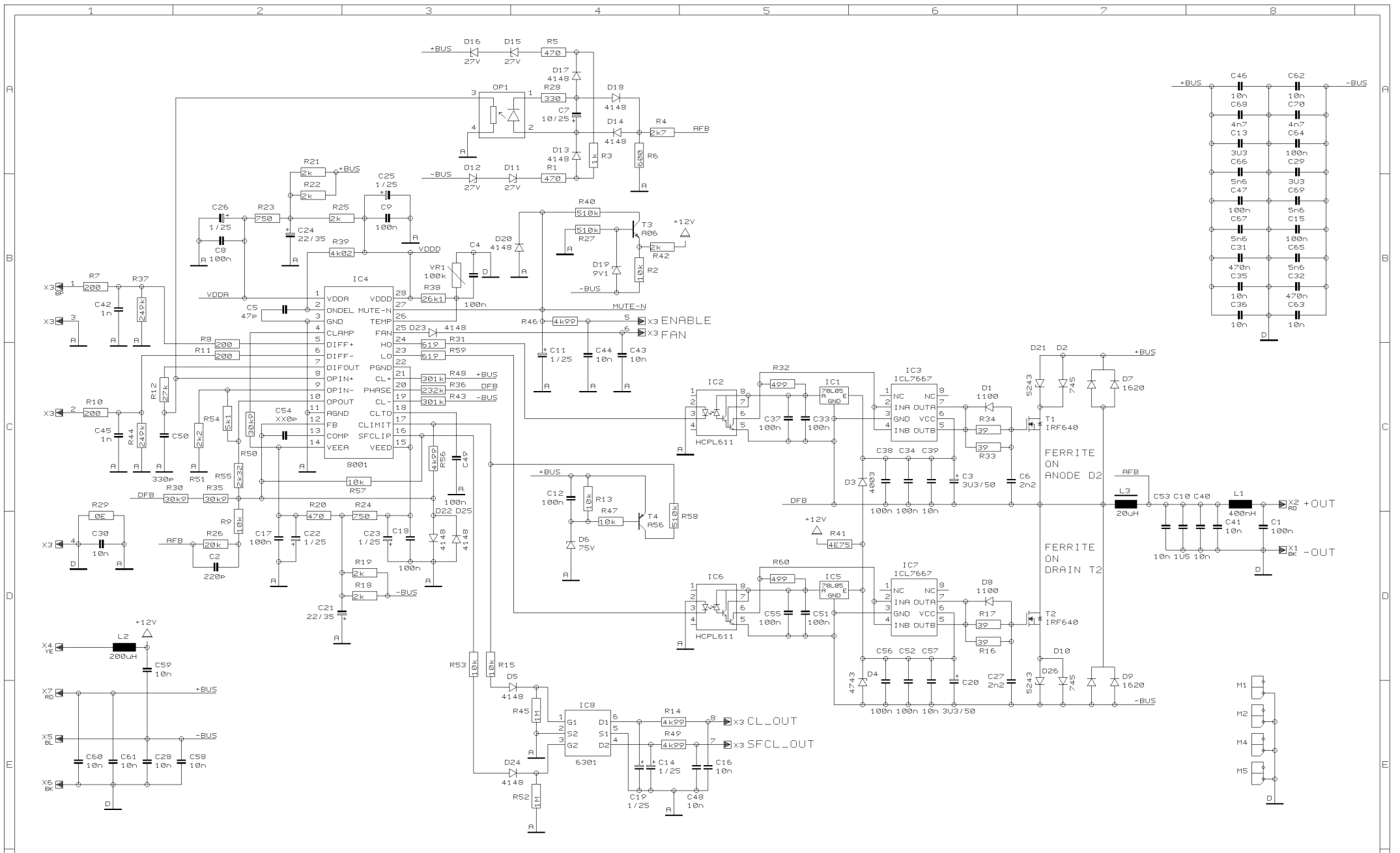
PROJECT
PMH5000C
EUROPOWER
MONO CHANNEL 3/9-4/10
SHEET 2 OF 3 SHEETS TOTAL



REVISIONS	C		
DRAWN	SA	CHECKED	DATE 23.02. 5 12:13



PROJECT
PMH5000C
EUROPOWER
MONO CHANNEL 5/11-6/12
SHEET 3 OF 3 SHEETS TOTAL



REVISIONS F (11/08/04)

DRAWN MD

CHECKED

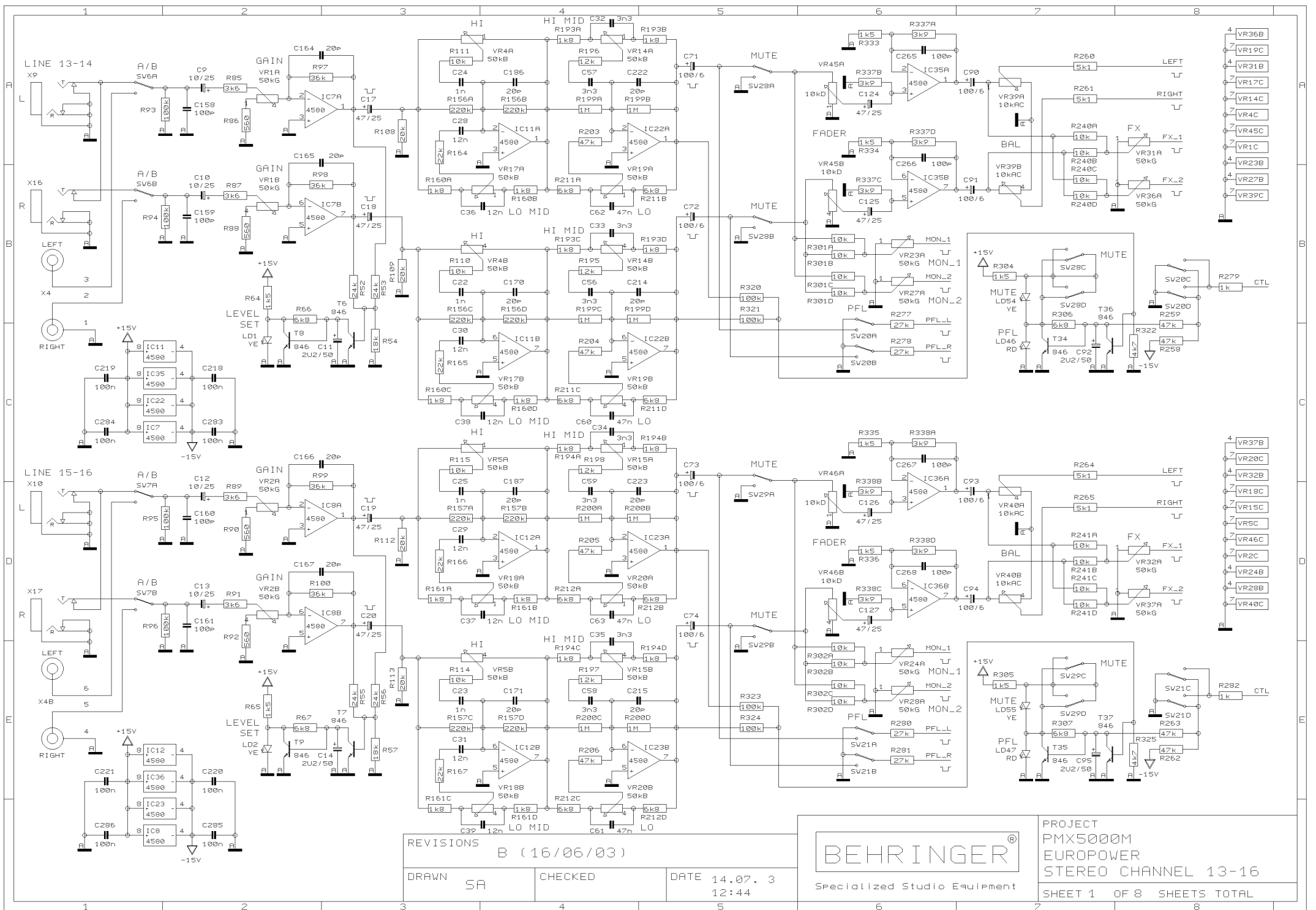
DATE 23.02. 5
12:14



Specialized Studio Equipment

PROJECT
DPA400
DIGITAL POWER AMPLIFIER

SHEET 1 OF 1 SHEETS TOTAL

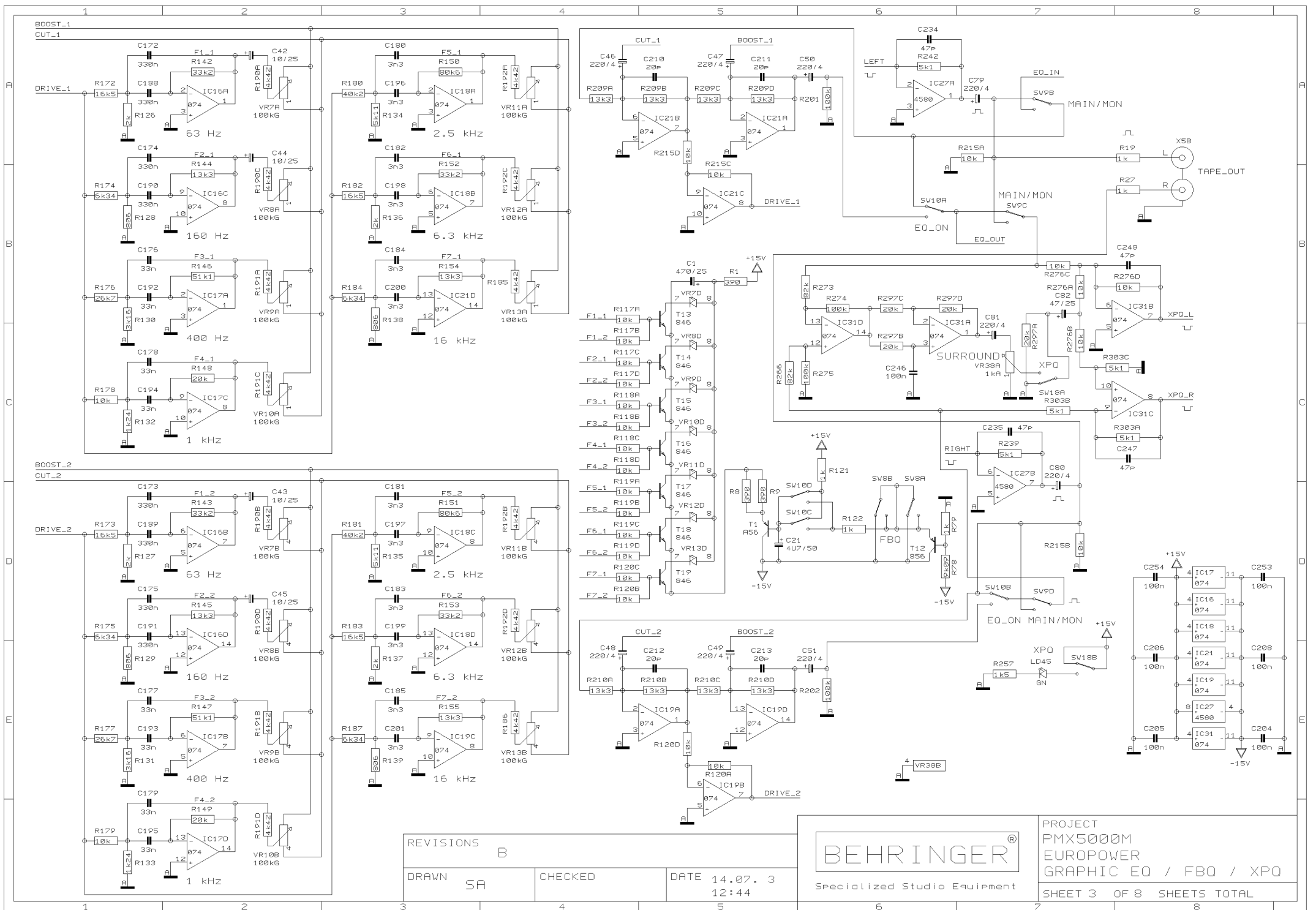


REVISIONS B (16/06/03)

DRAWN SA CHECKED DATE 14.07.3
12:44



PROJECT PMX5000M
EUROPOWER
STEREO CHANNEL 13-16
SHEET 1 OF 8 SHEETS TOTAL



REVISIONS

B

DRAWN SA

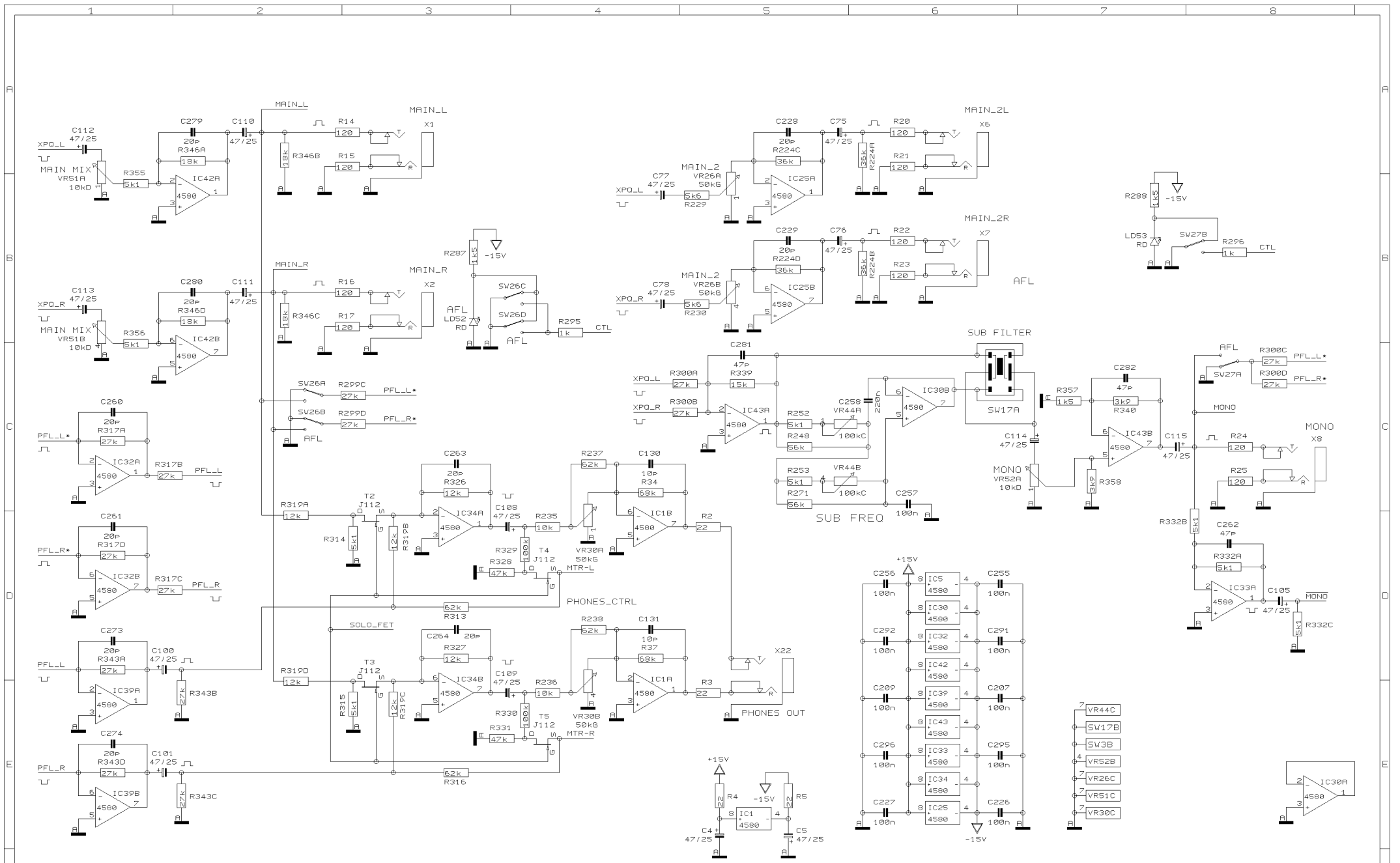
CHECKED

DATE 14.07. 3
12:44



Specialized Studio Equipment

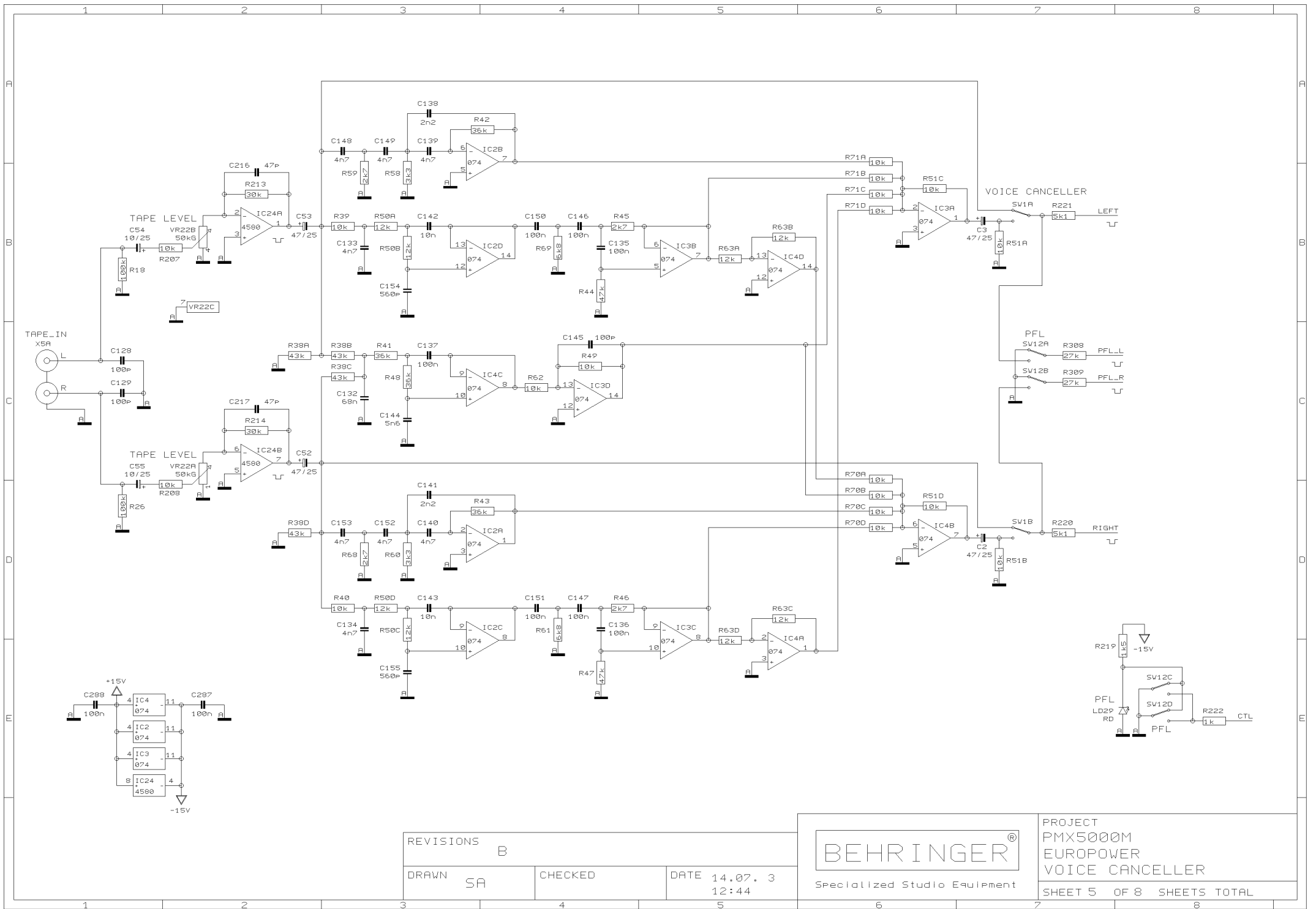
PROJECT
PMX5000M
EUROPOWER
GRAPHIC EQ / FBO / XPO
SHEET 3 OF 8 SHEETS TOTAL



REVISIONS	B		
DRAWN	SA	CHECKED	DATE 14.07. 3 12:44


 Specialized Studio Equipment

PROJECT PMX5000M
 EUROPOWER
 MAIN SECTION
 SHEET 4 OF 8 SHEETS TOTAL

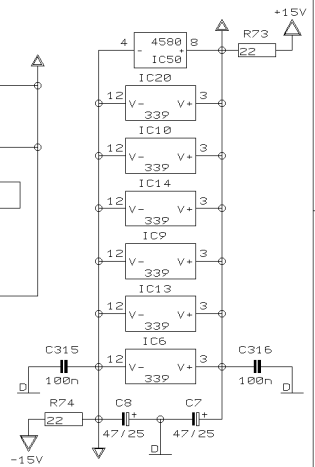
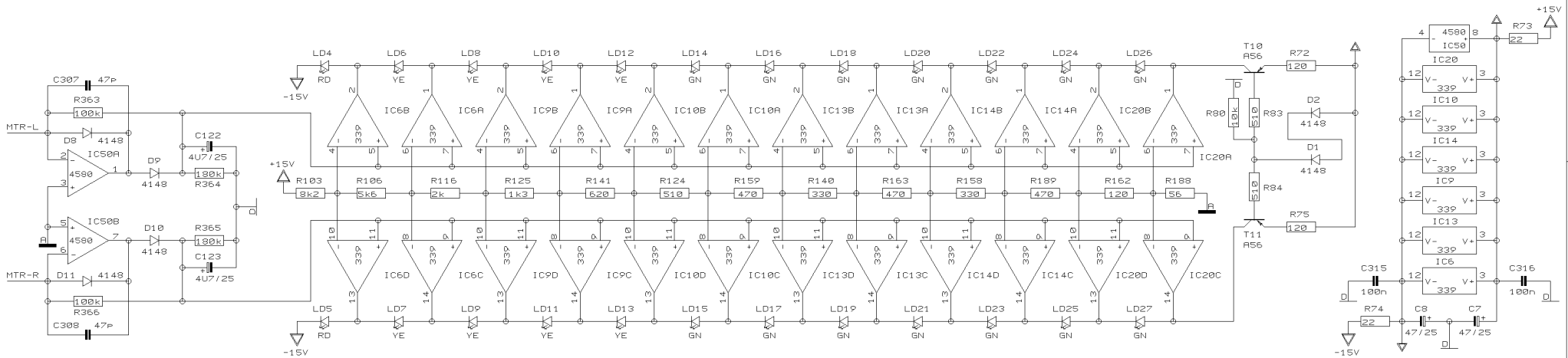


REVISIONS		B	
DRAWN	SA	CHECKED	DATE 14.07. 3 12:44

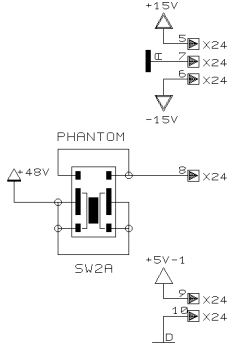
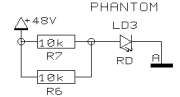
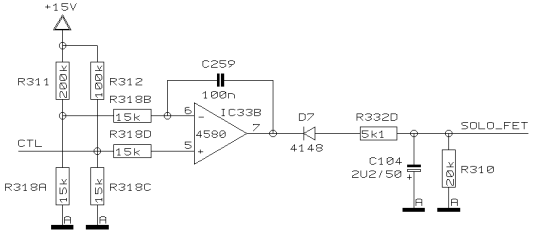
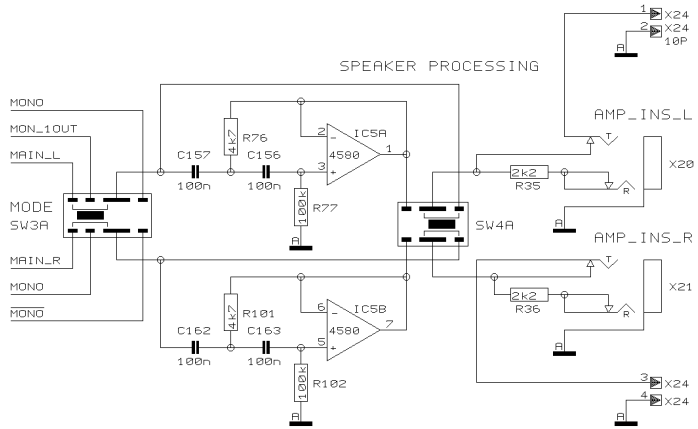


PROJECT
PMX5000M
EUROPOWER
VOICE CANCELLER

SHEET 5 OF 8 SHEETS TOTAL



SPEAKER PROCESSING



REVISIONS

B

DRAWN SA

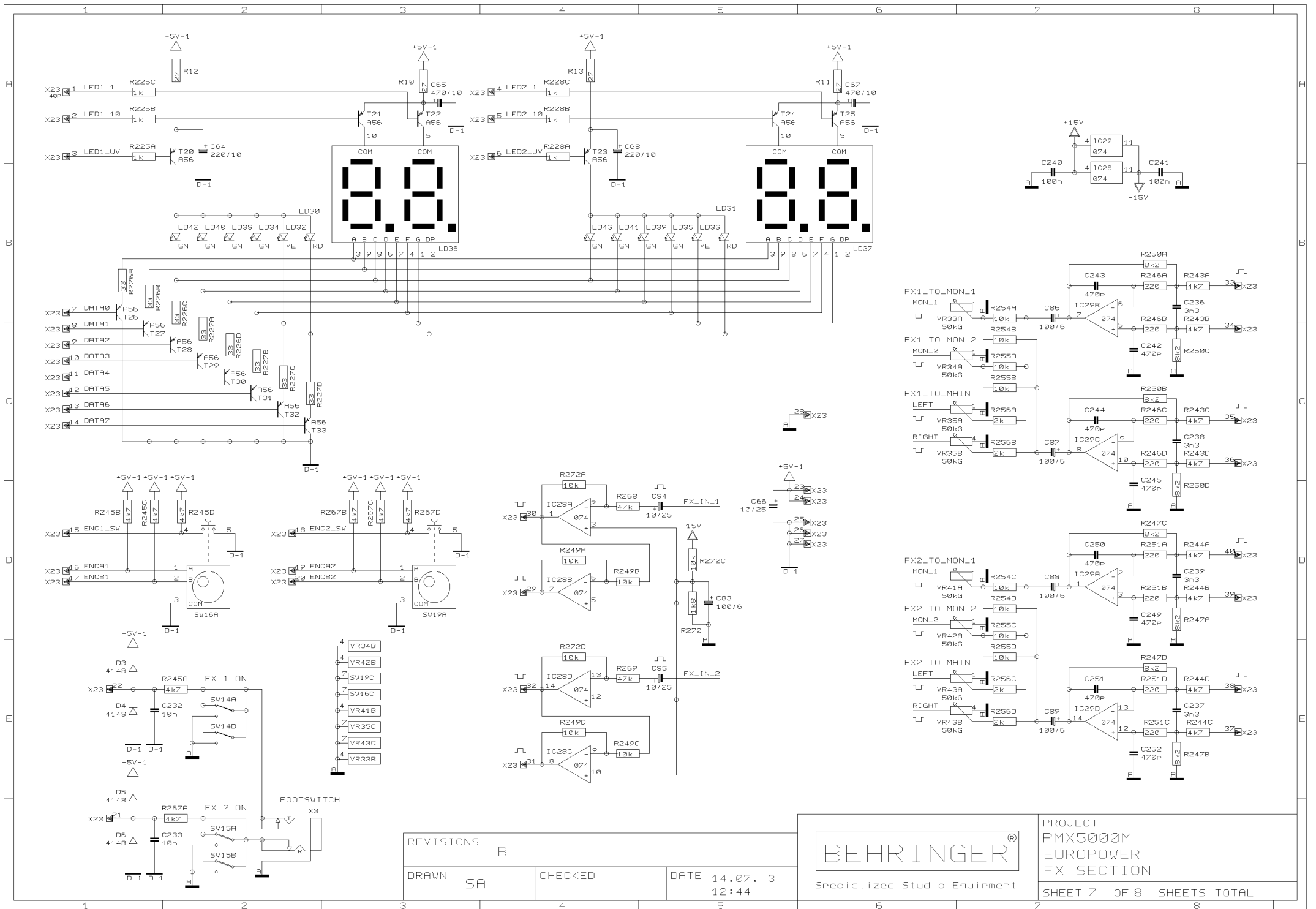
CHECKED

DATE 14.07. 3
12:44

BEHRINGER®

Specialized Studio Equipment

PROJECT
PMX5000M
EUROPOWER
LED METER & FX RETURN
SHEET 6 OF 8 SHEETS TOTAL



REVISIONS

B

DRAWN

SA

CHECKED

DATE

14.07. 3

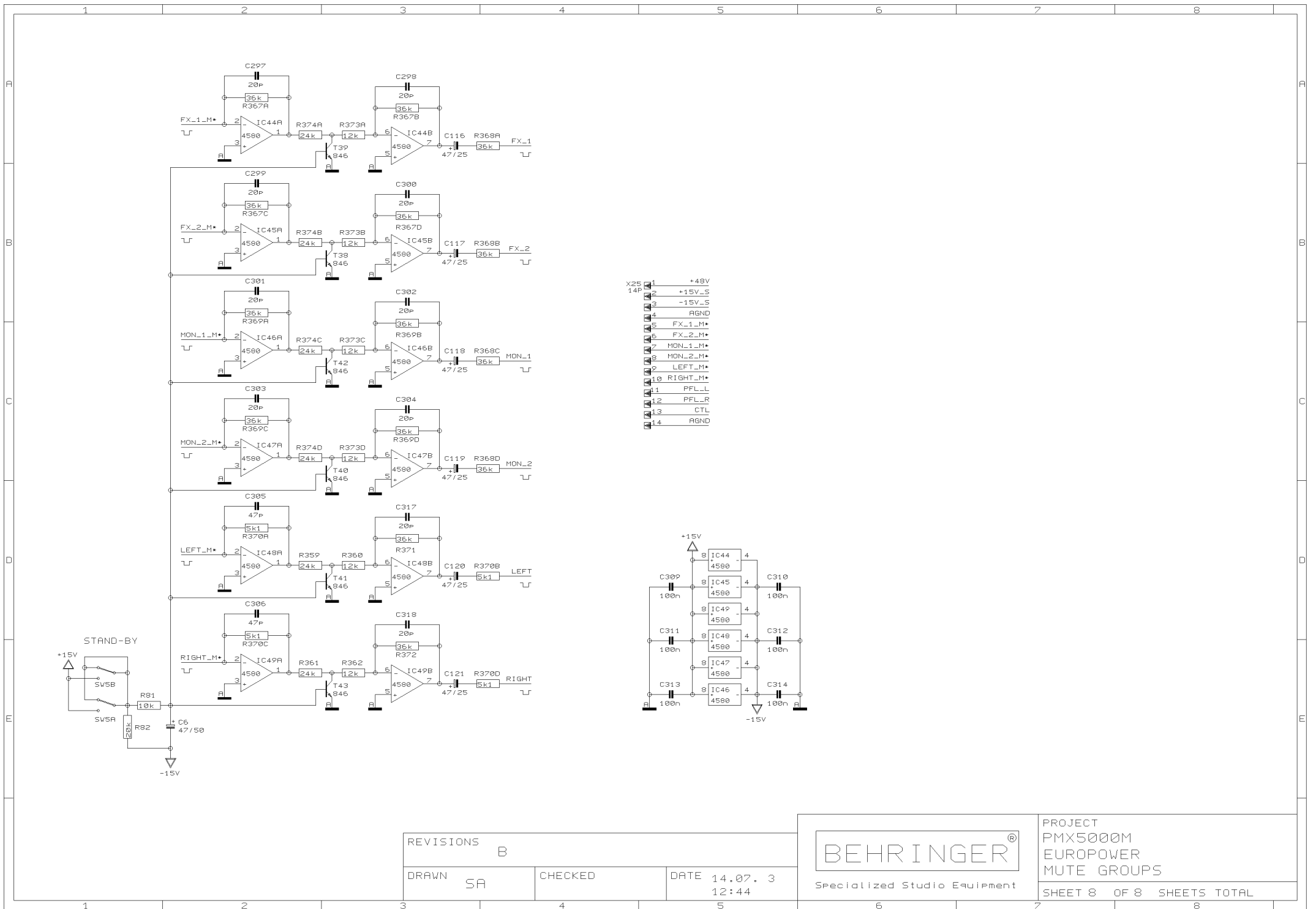
12:44

BEHRINGER®

Specialized Studio Equipment

PROJECT
PMX5000M
EUROPOWER
FX SECTION

SHEET 7 OF 8 SHEETS TOTAL



REVISIONS

B

DRAWN SA

CHECKED

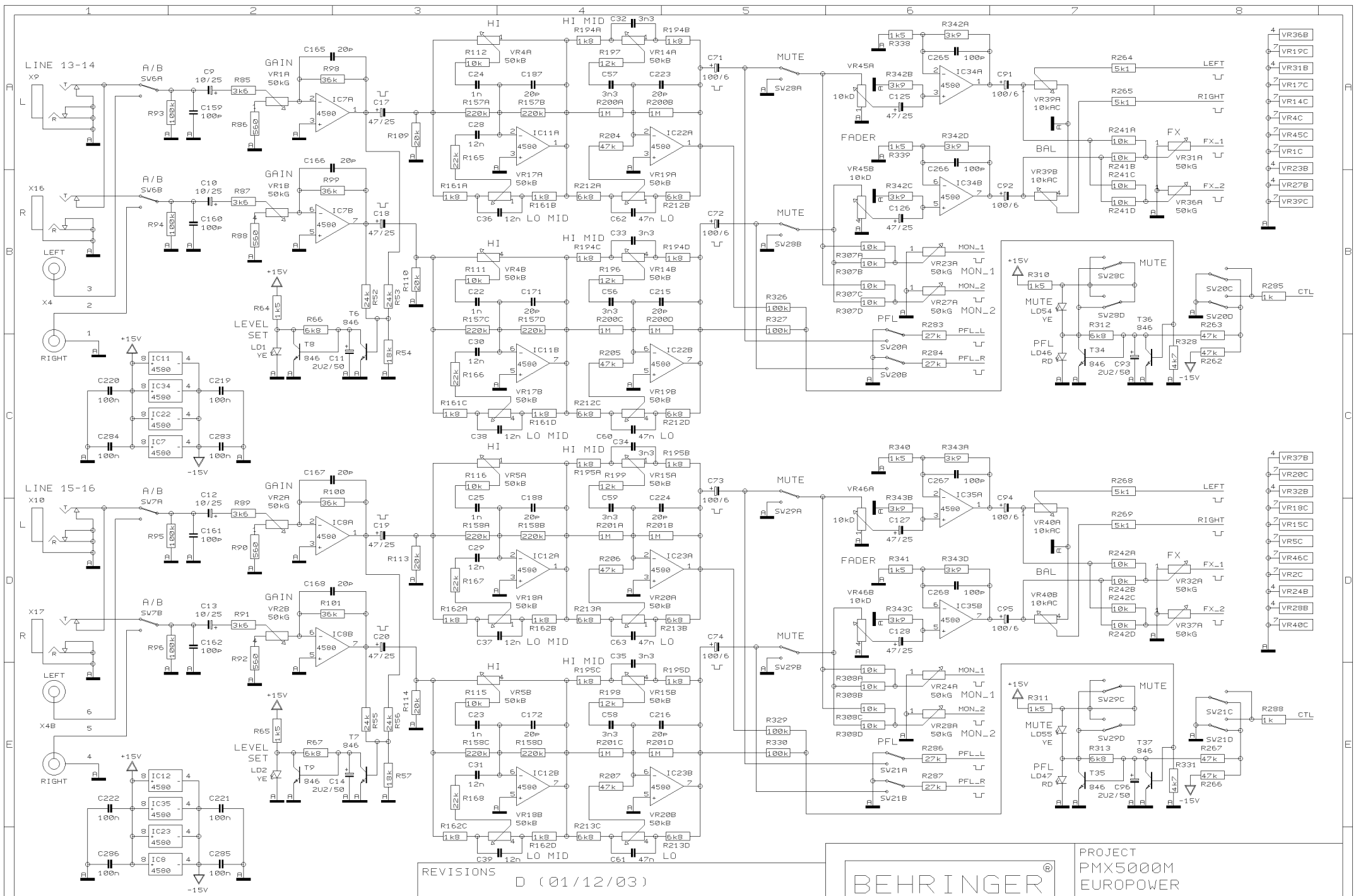
DATE 14.07. 3
12:44



Specialized Studio Equipment

PROJECT
PMX5000M
EUROPOWER
MUTE GROUPS

SHEET 8 OF 8 SHEETS TOTAL

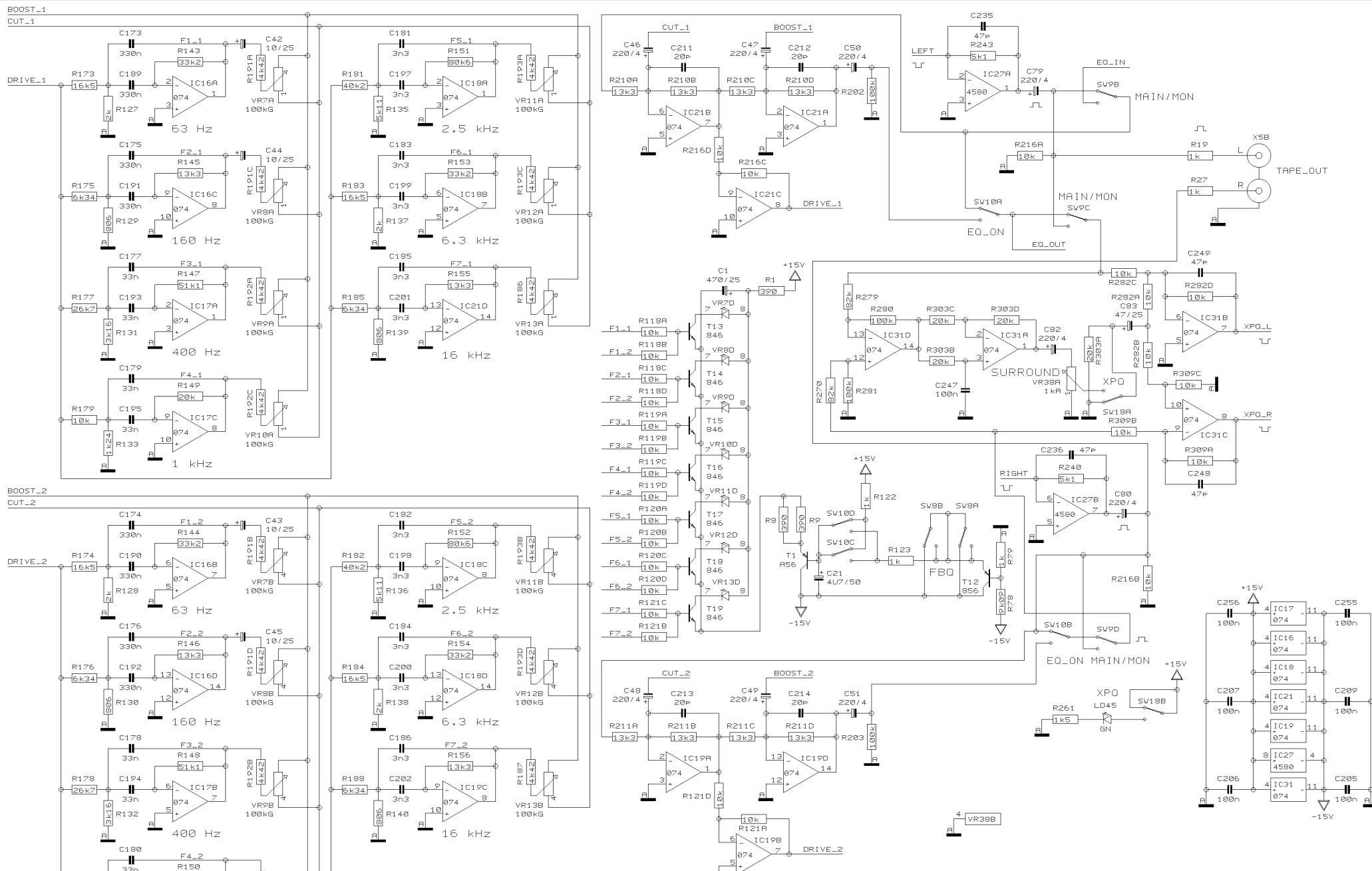


REVISIONS
D (01/12/03)

DRAWN	SA	CHECKED	DATE
			12.07. 4 11:06

BEHRINGER
Specialized Studio Equipment

PROJECT
PMX5000M
EUROPOWER
STEREO CHANNEL 13-16
SHEET 1 OF 8 SHEETS TOTAL



REVISIONS
D

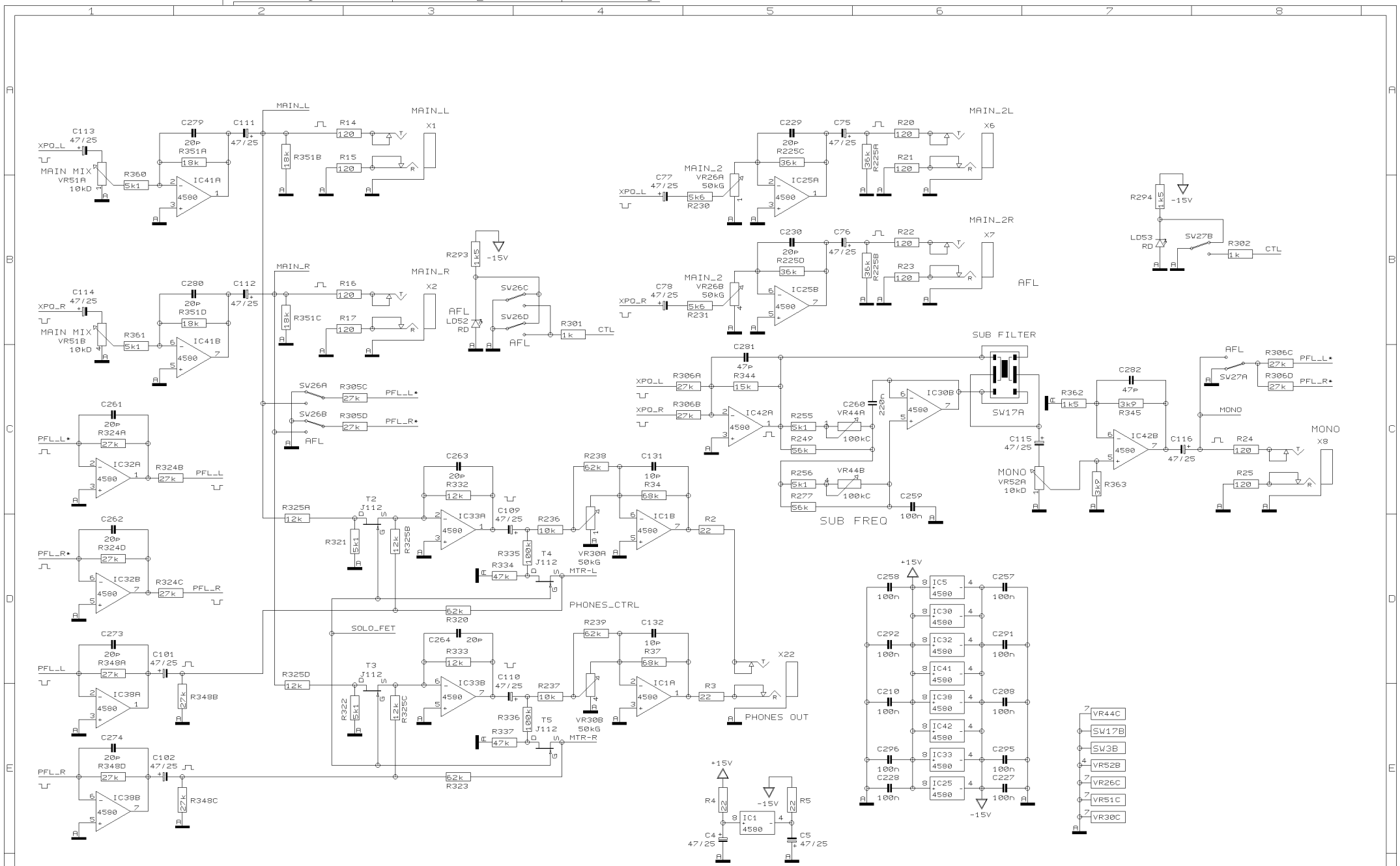
DRAWN SA

CHECKED

DATE 12.07. 4
11:07



PROJECT
PMX5000M
EUROPOWER
GRAPHIC EQ / FBO / XPO
SHEET 3 OF 8 SHEETS TOTAL



REVISIONS
D

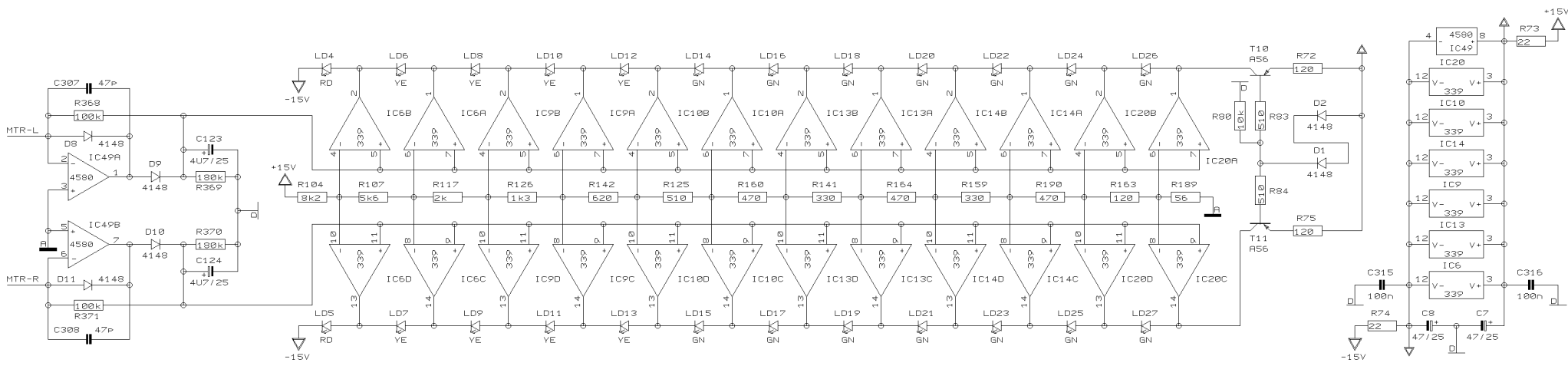
DRAWN SA

CHECKED

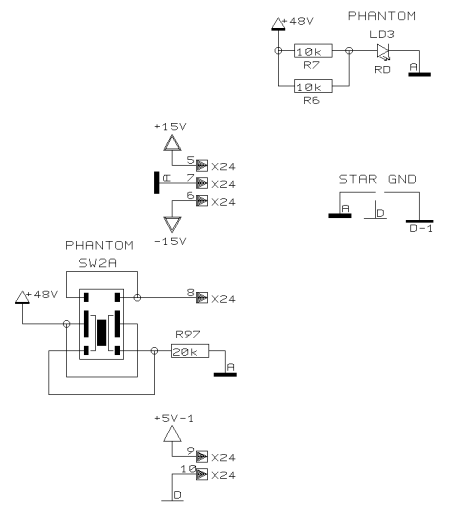
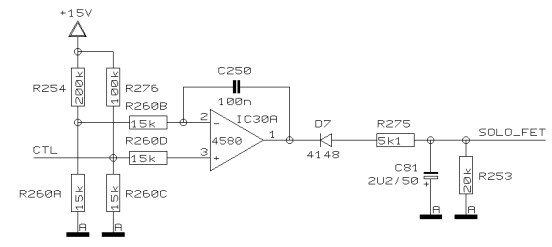
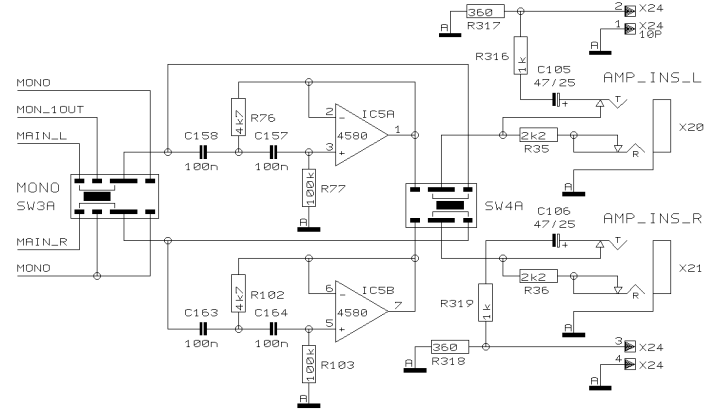
DATE 12.07. 4
11:07



PROJECT
PMX5000M
EUROPOWER
MAIN SECTION
SHEET 4 OF 8 SHEETS TOTAL



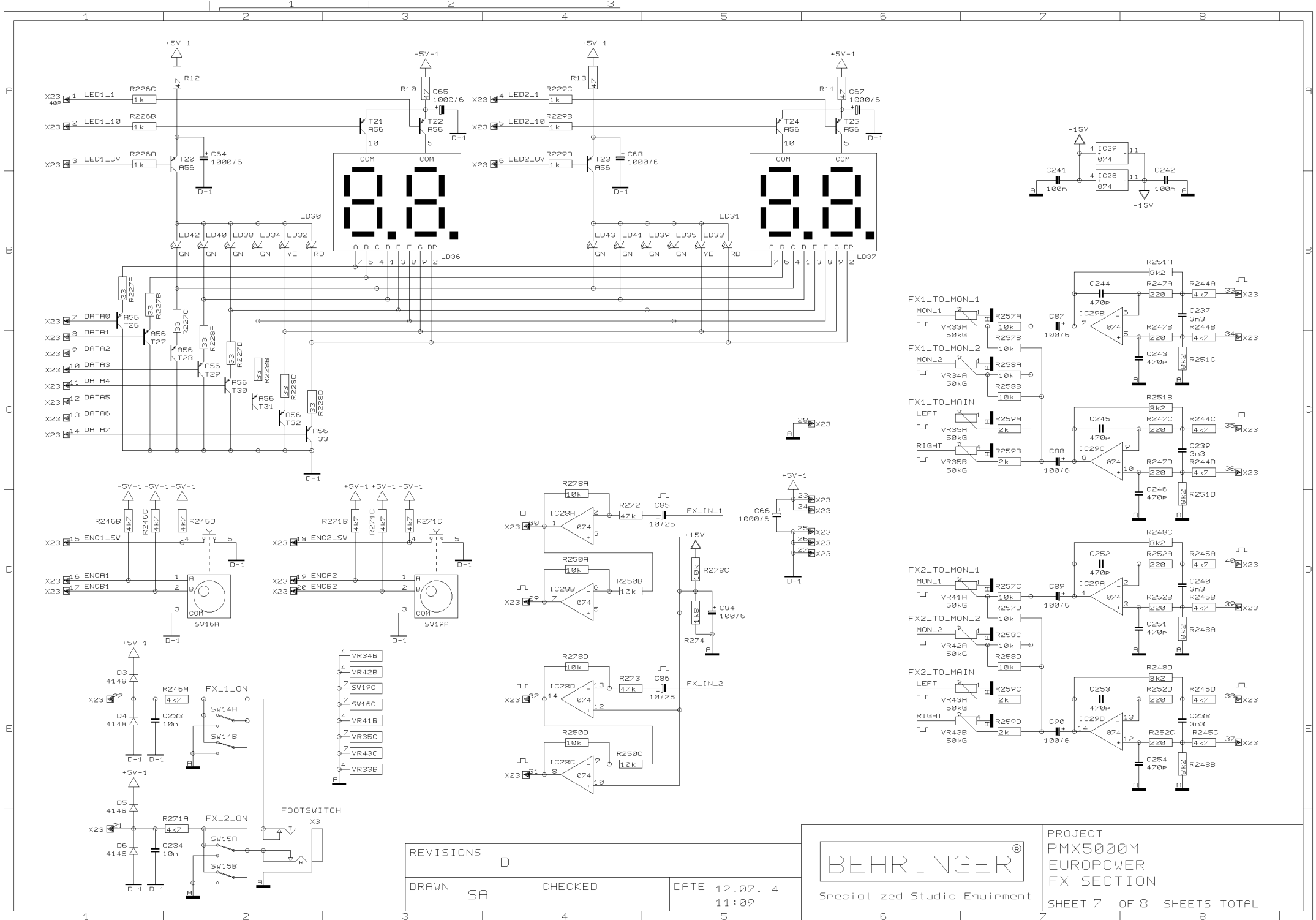
SPEAKER PROCESSING



REVISIONS		D	
DRAWN	SA	CHECKED	DATE 12.07. 4 11:08



PROJECT
PMX5000M
EUROPOWER
LED METER & FX RETURN
SHEET 6 OF 8 SHEETS TOTAL



REVISIONS

D

DRAWN SA

CHECKED

DATE 12.07. 4

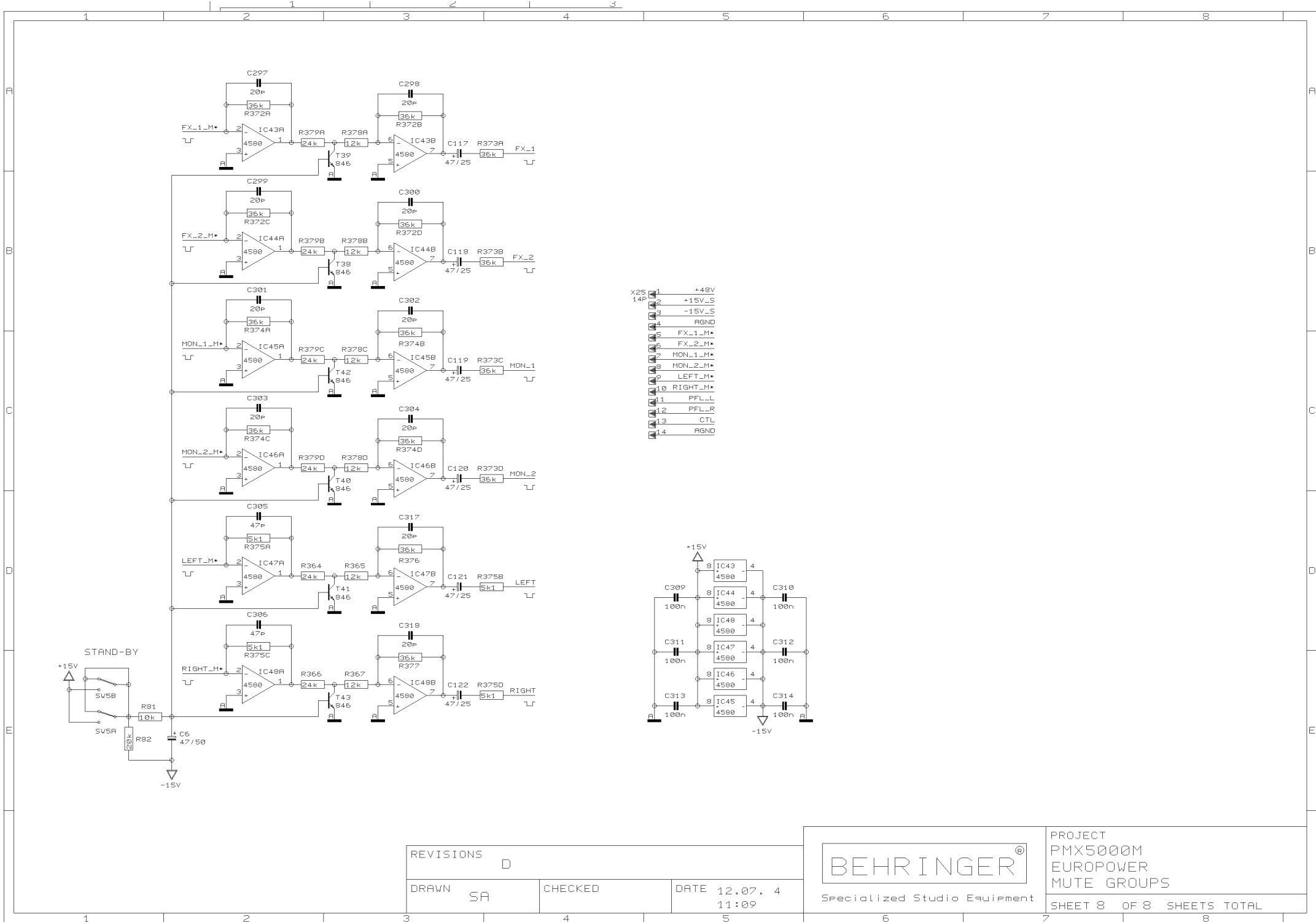
11:09

BEHRINGER®

Specialized Studio Equipment

PROJECT
PMX5000M
EUROPOWER
FX SECTION

SHEET 7 OF 8 SHEETS TOTAL

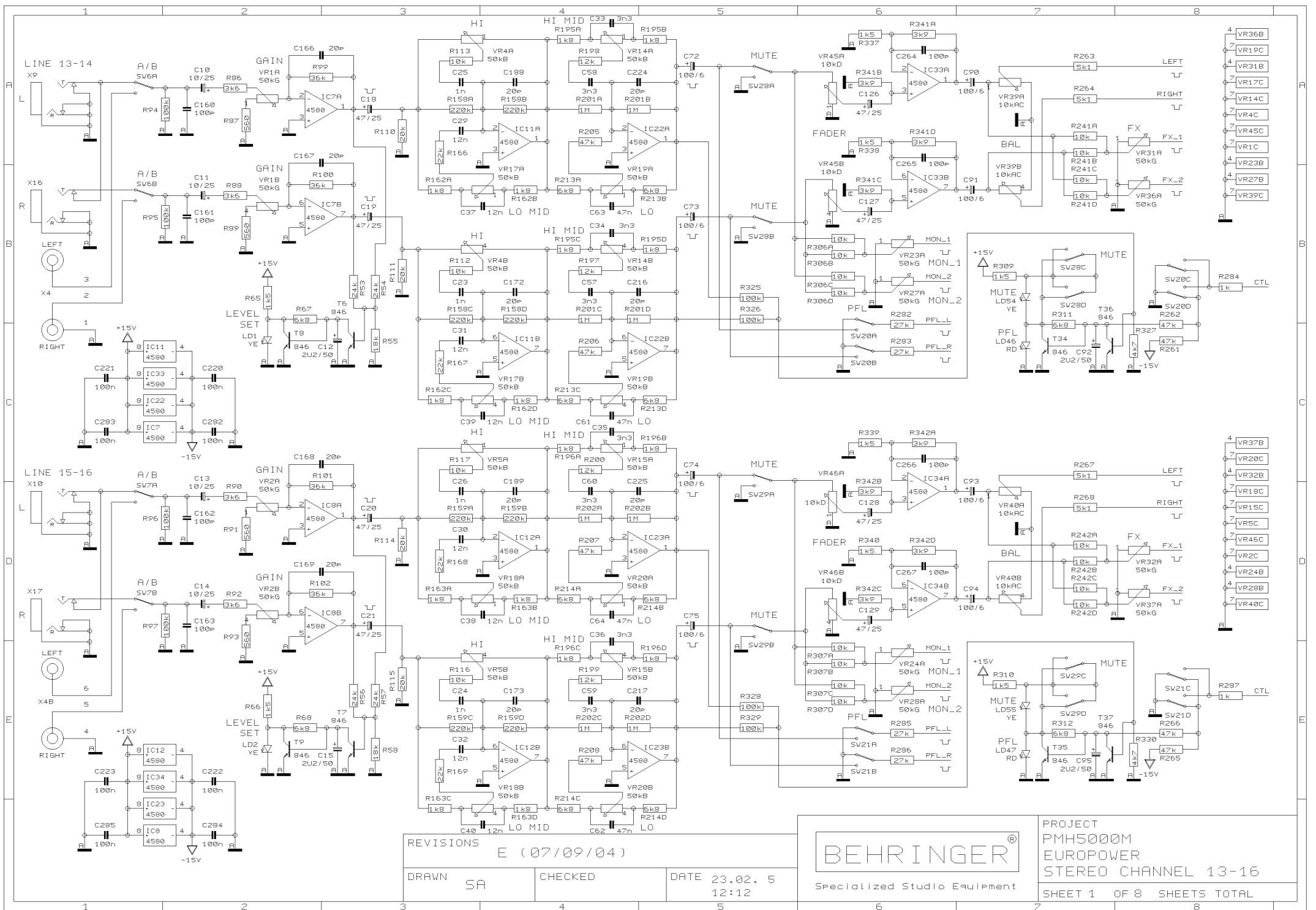


- X20 1 +48V
- 14P 2 +15V_S
- 3 -15V_S
- 4 AGND
- 5 FX_1_M*
- 6 FX_2_M*
- 7 MON_1_M*
- 8 MON_2_M*
- 9 LEFT_M*
- 10 RIGHT_M*
- 11 PFL_L
- 12 PFL_R
- 13 CTL
- 14 AGND

REVISIONS		D	
DRAWN	SA	CHECKED	DATE 12.07. 4 11:09


 Specialized Studio Equipment

PROJECT
 PMX5000M
 EUROPOWER
 MUTE GROUPS
 SHEET 8 OF 8 SHEETS TOTAL

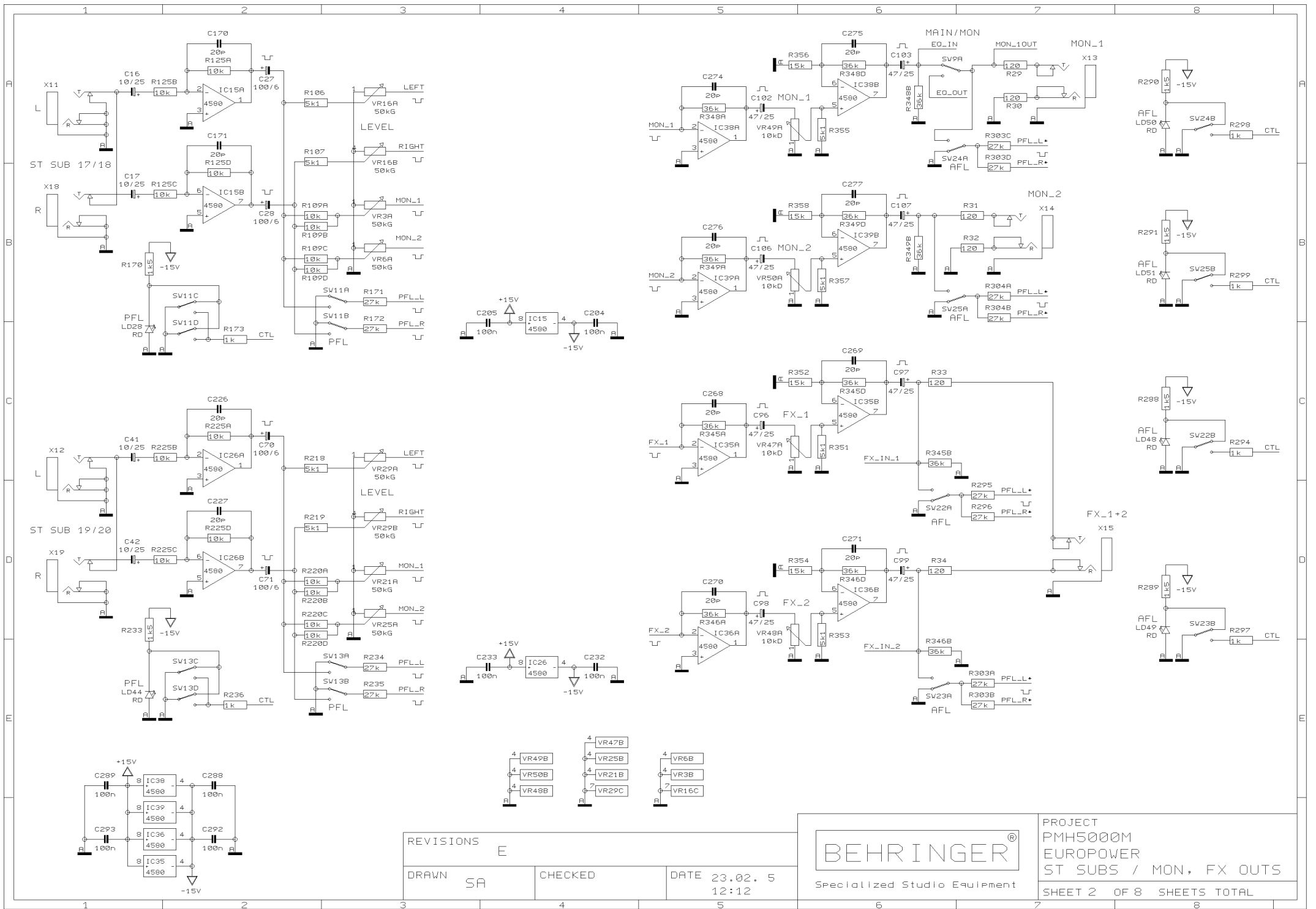


REVISIONS
E (07/09/04)

DRAWN	SA	CHECKED	DATE
			23.02. 5 12:12



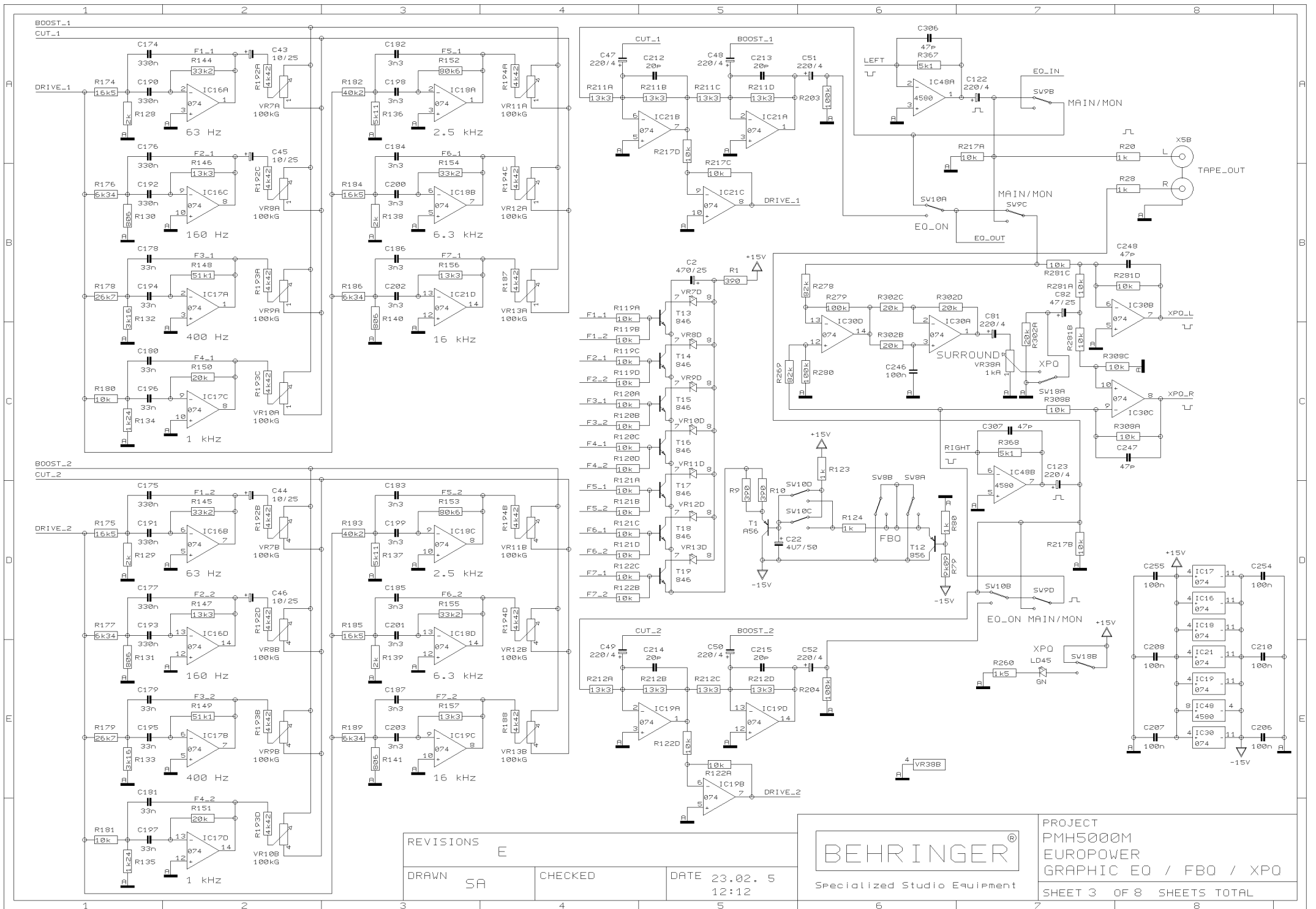
PROJECT
PMH5000M
EUROPOWER
STEREO CHANNEL 13-16
SHEET 1 OF 8 SHEETS TOTAL



REVISIONS	E		
DRAWN	SA	CHECKED	DATE 23.02. 5 12:12



PROJECT
PMH5000M
EUROPOWER
ST SUBS / MON, FX OUTS
SHEET 2 OF 8 SHEETS TOTAL



REVISIONS

E

DRAWN

SA

CHECKED

DATE 23.02. 5

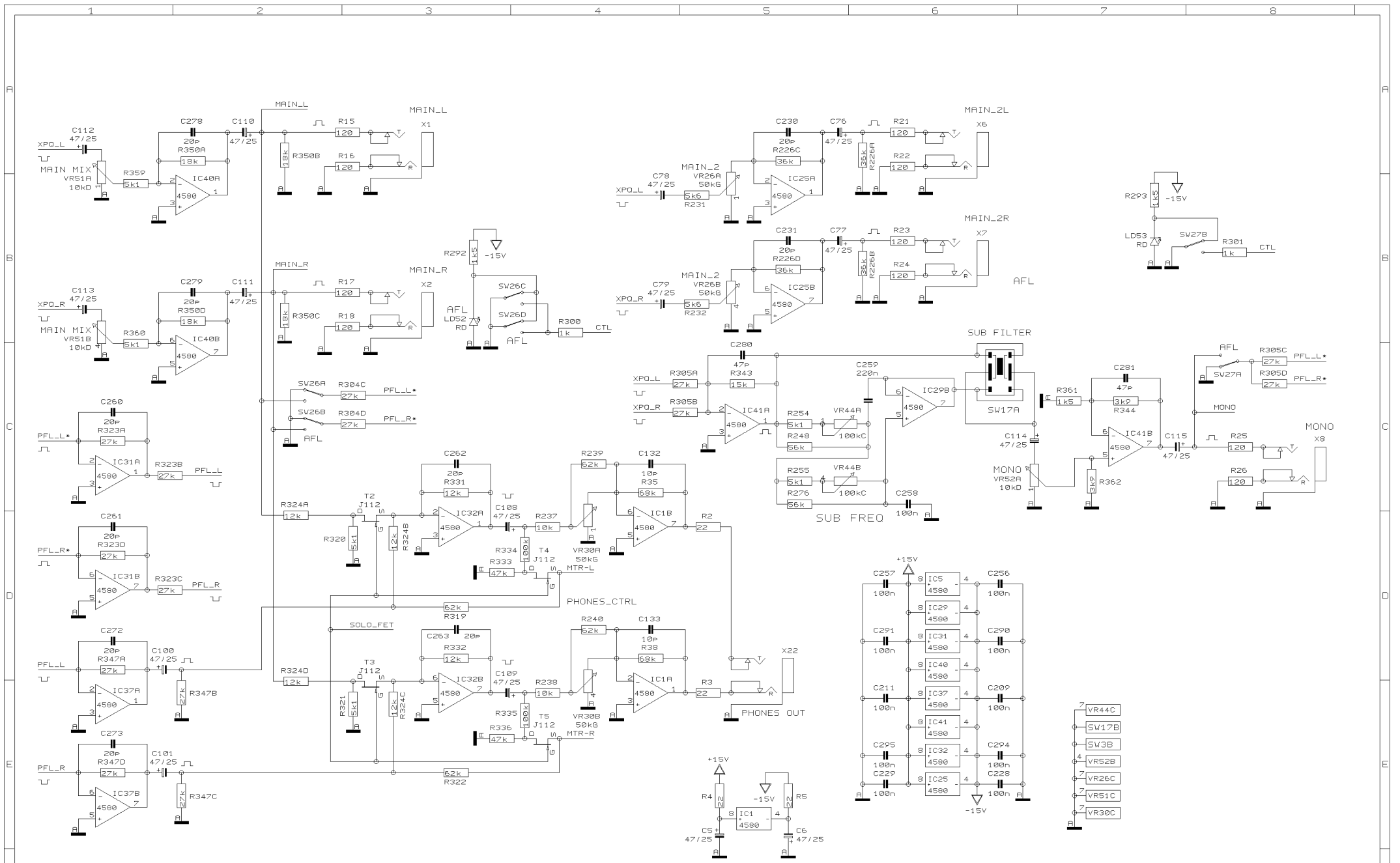
12:12

BEHRINGER®

Specialized Studio Equipment

PROJECT
PMH5000M
EUROPOWER
GRAPHIC EQ / FBO / XPO

SHEET 3 OF 8 SHEETS TOTAL



REVISIONS

E

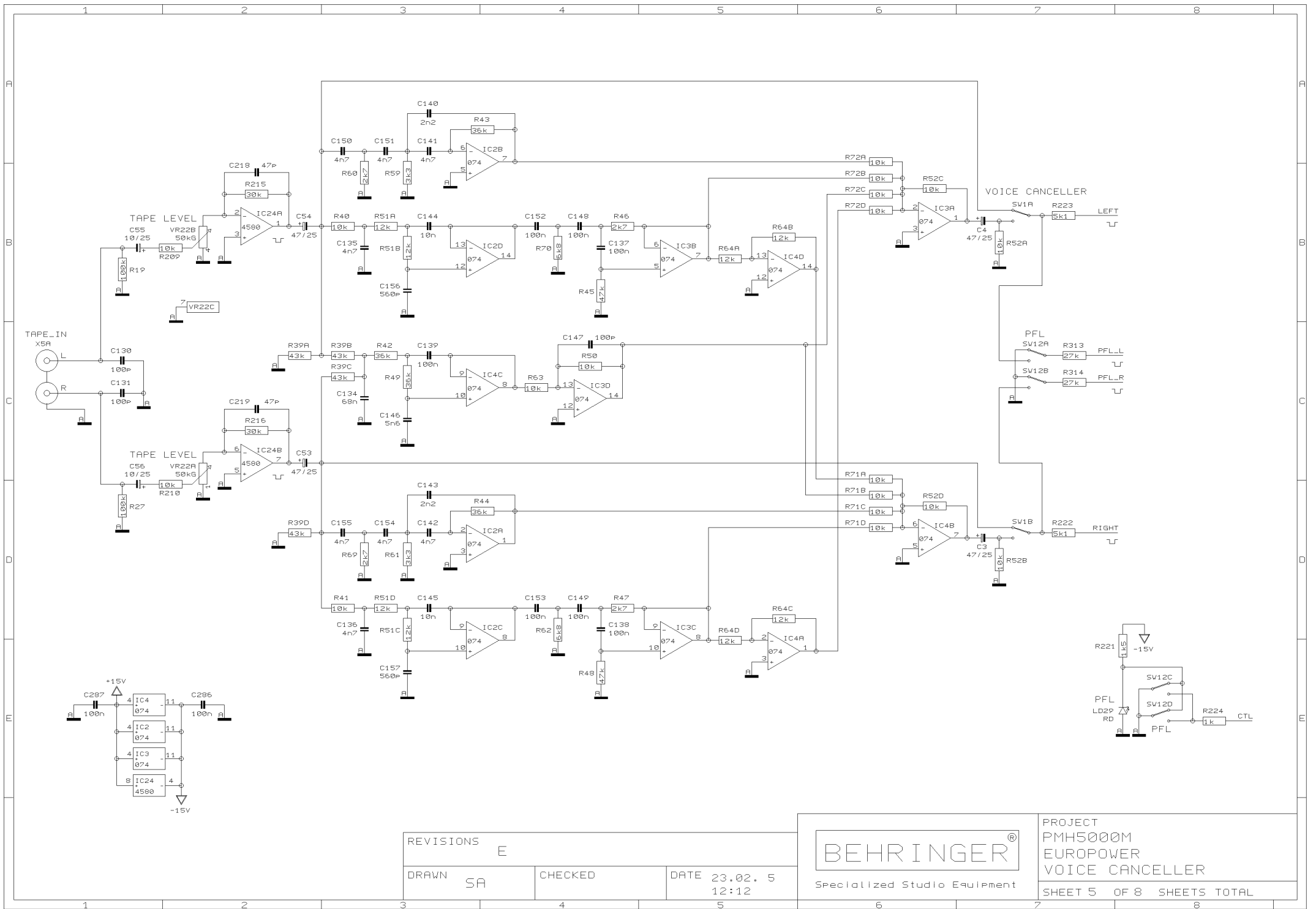
DRAWN SA

CHECKED

DATE 23.02. 5
12:12



PROJECT
PMH5000M
EUROPOWER
MAIN SECTION
SHEET 4 OF 8 SHEETS TOTAL



REVISIONS

E

DRAWN SA

CHECKED

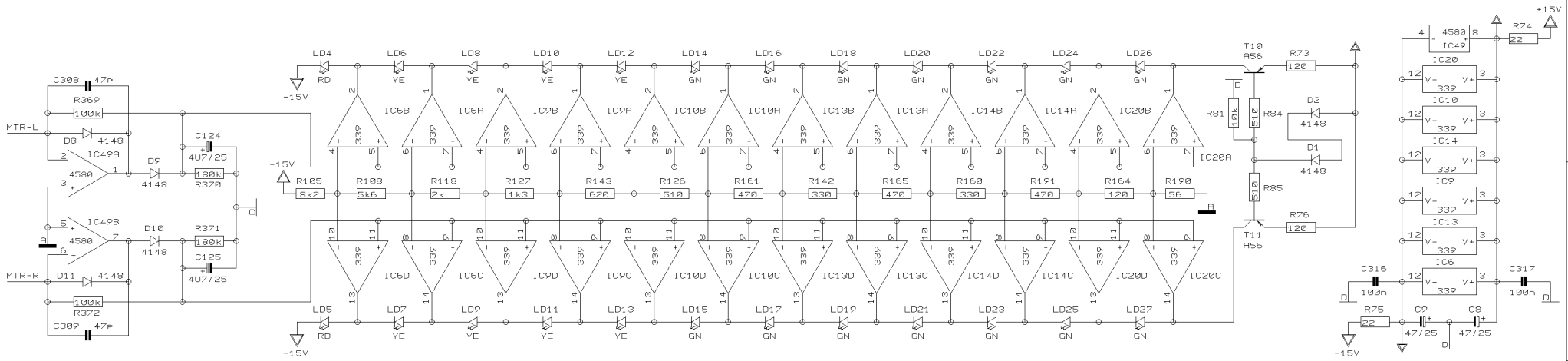
DATE 23.02. 5
12:12

BEHRINGER®

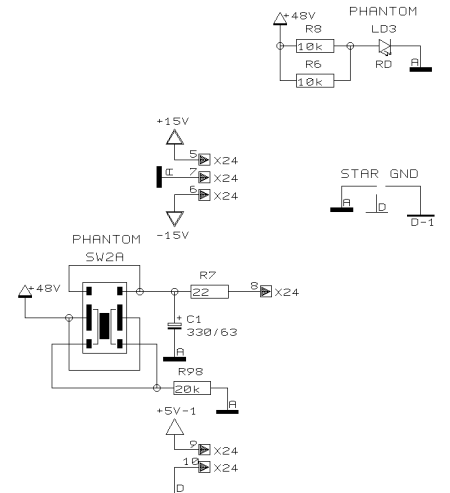
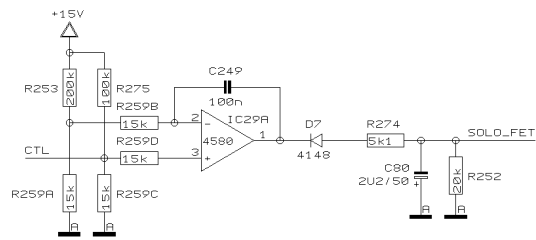
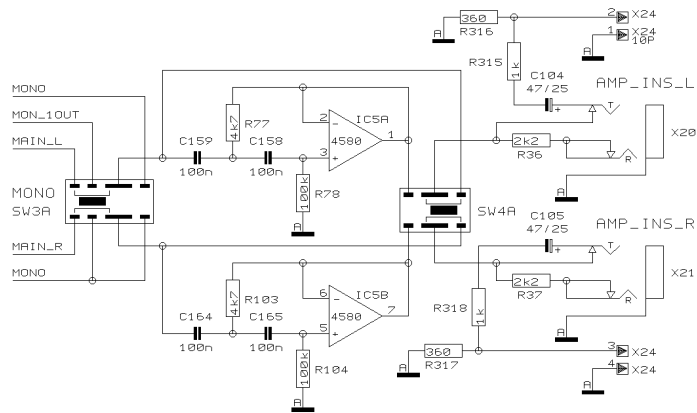
Specialized Studio Equipment

PROJECT
PMH5000M
EUROPOWER
VOICE CANCELLER

SHEET 5 OF 8 SHEETS TOTAL



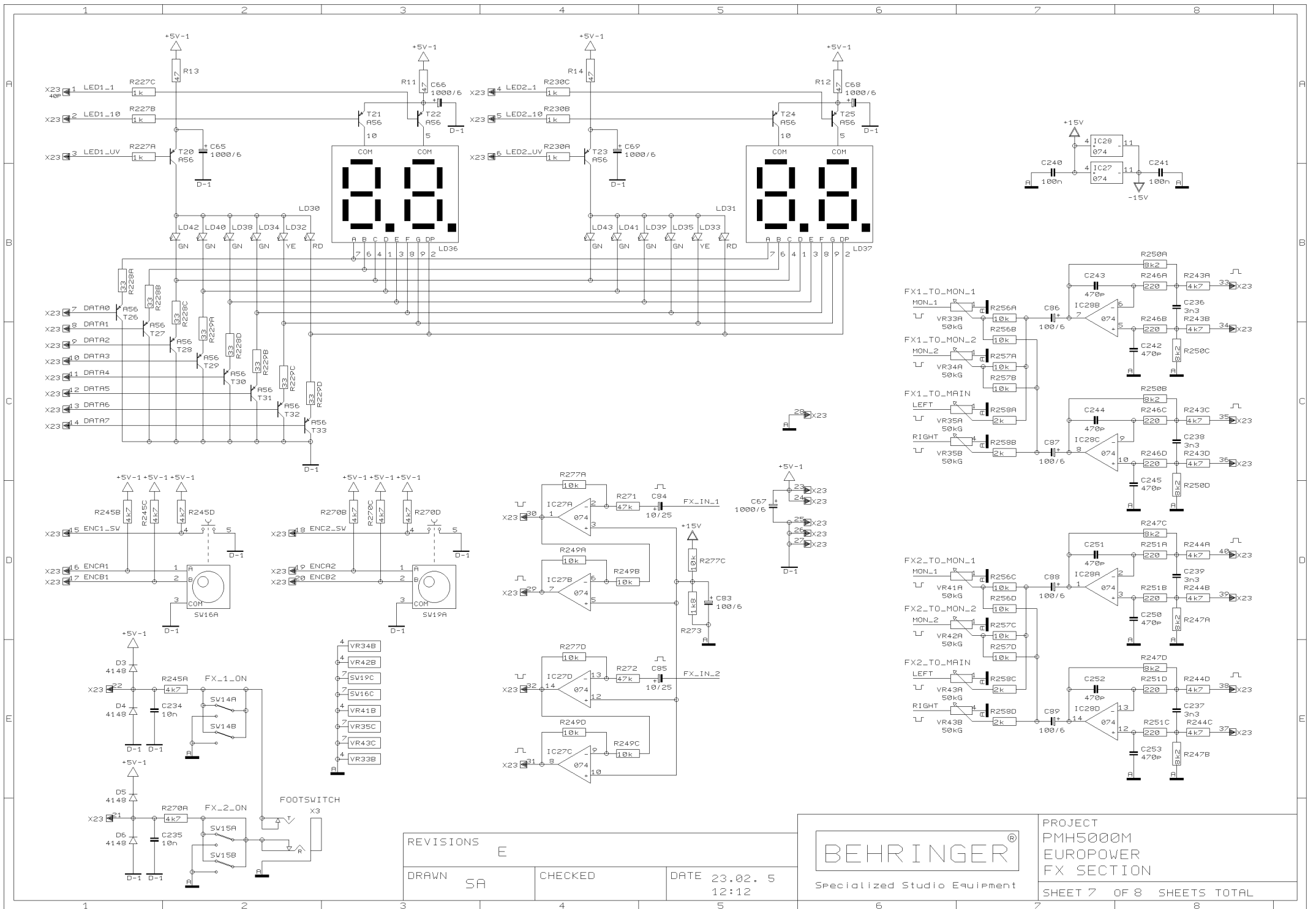
SPEAKER PROCESSING



REVISIONS	E		
DRAWN	SA	CHECKED	DATE 23.02. 5 12:12



PROJECT
PMH5000M
EUROPOWER
LED METER & FX RETURN
SHEET 6 OF 8 SHEETS TOTAL

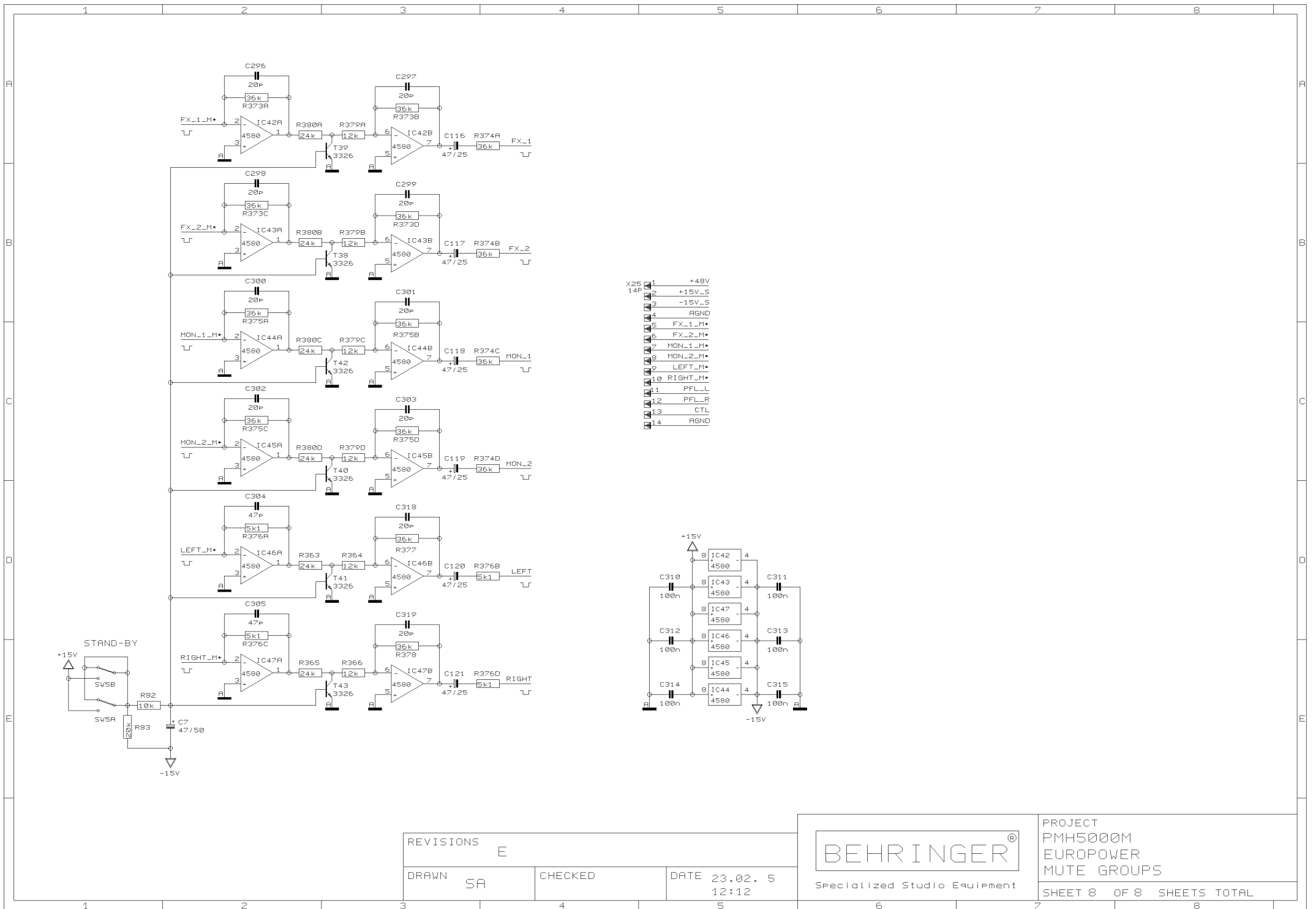


REVISIONS	E	
DRAWN	SA	CHECKED
DATE 23.02. 5		12:12



PROJECT
PMH5000M
EUROPOWER
FX SECTION

SHEET 7 OF 8 SHEETS TOTAL



- X25 14P
- 1 +48V
 - 2 +15V_S
 - 3 -15V_S
 - 4 AGND
 - 5 FX_1_M*
 - 6 FX_2_M*
 - 7 MON_1_M*
 - 8 MON_2_M*
 - 9 LEFT_M*
 - 10 RIGHT_M*
 - 11 PFL_L
 - 12 PFL_R
 - 13 CTL
 - 14 AGND

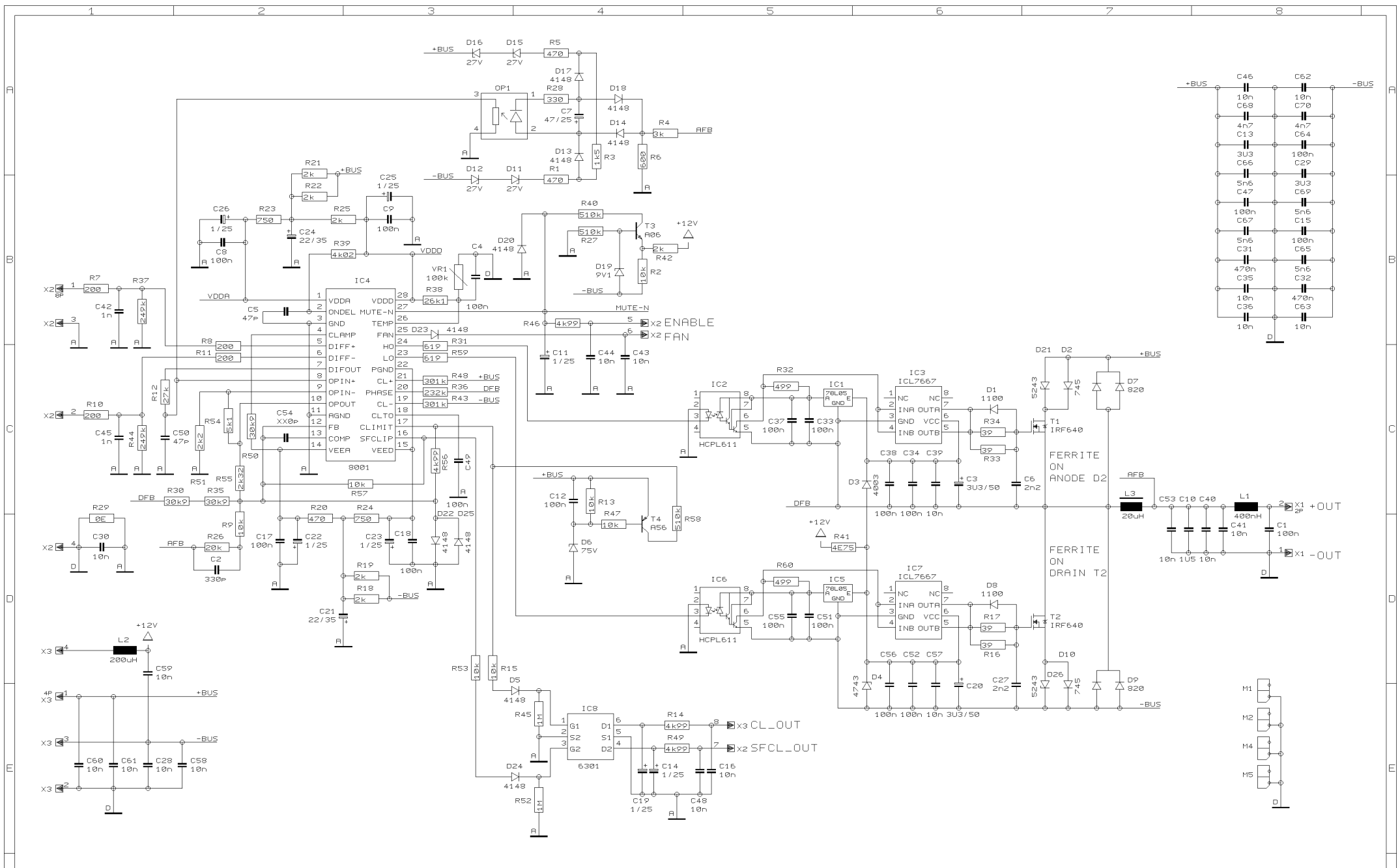
REVISIONS

	E		
DRAWN	SA	CHECKED	DATE 23.02. 5 12:12



PROJECT
PMH5000M
EUROPOWER
MUTE GROUPS

SHEET 8 OF 8 SHEETS TOTAL



REVISIONS E (02/06/03)

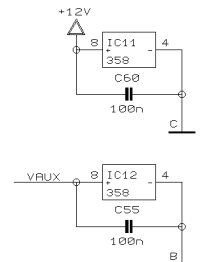
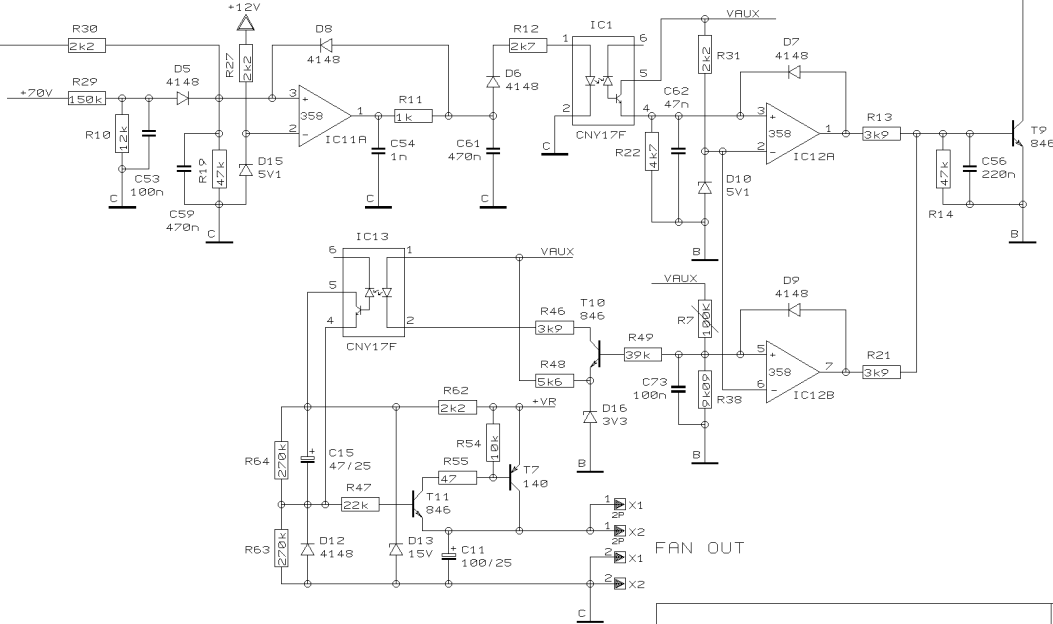
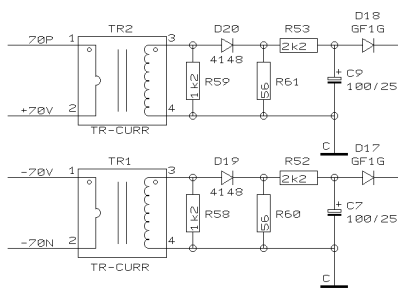
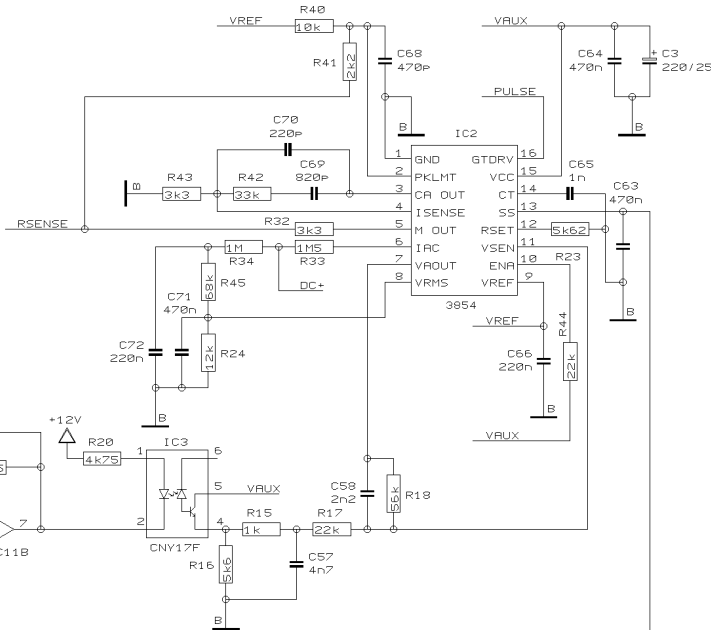
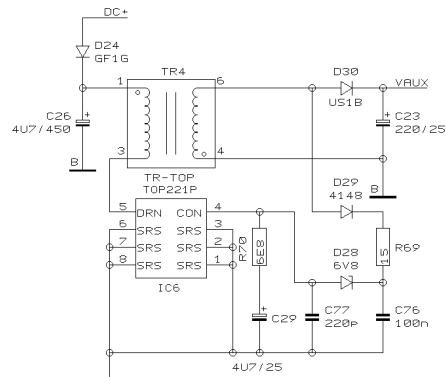
DRAWN MD

CHECKED

DATE 08.07. 4
13:34



PROJECT
DPA400
DIGITAL POWER AMPLIFIER
SHEET 1 OF 1 SHEETS TOTAL



REVISIONS	E	DATE	12.07. 4
DRAWN	SASA	DATE	14:30
CHECKED			



PROJECT
SPS600
POWER SUPPLY 600W
SCHEMATICS
SHEET 2 OF 2 SHEETS TOTAL