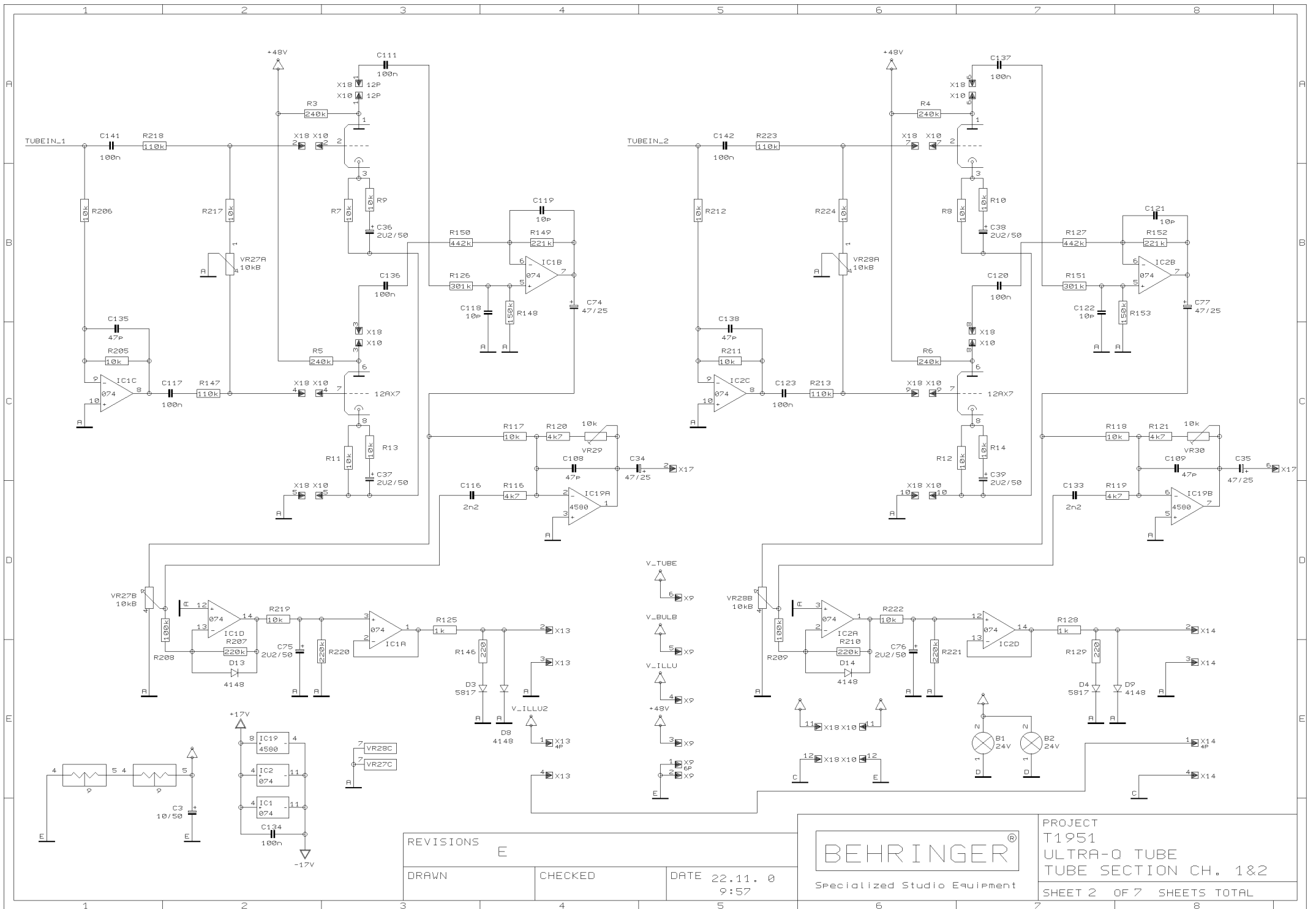


| | | |
|-----------|---------|-----------------------|
| REVISIONS | | |
| E | | |
| DRAWN | CHECKED | DATE 22.11. 0 9:57 |



PROJECT
T1951
TUBE ULTRA-O
IN/OUT SECTION CH 1&2
SHEET 1 OF 7 SHEETS TOTAL



REVISIONS

E

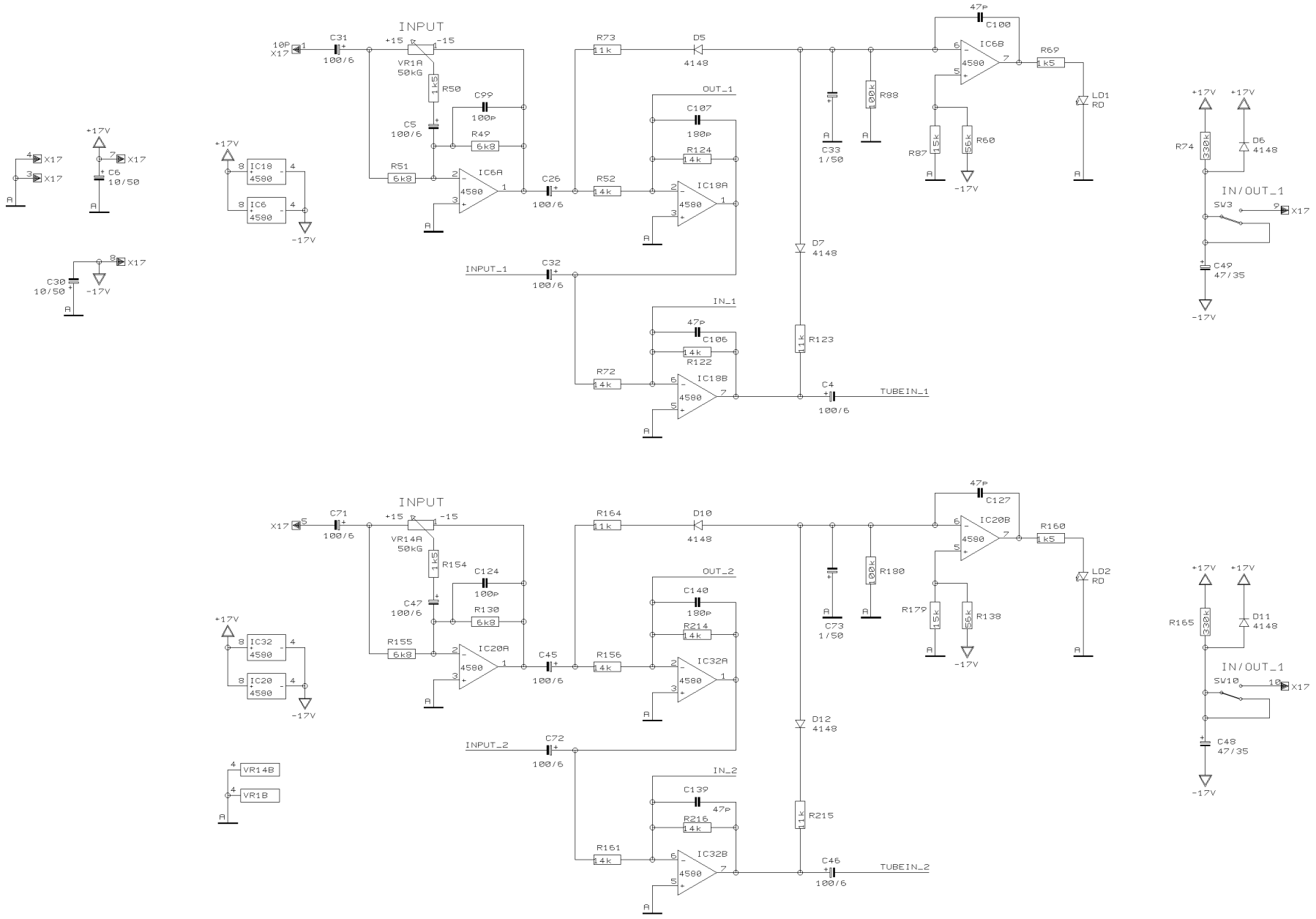
DRAWN

CHECKED

DATE 22.11. 0
9:57



PROJECT
T1951
ULTRA-Q TUBE
TUBE SECTION CH. 1&2
SHEET 2 OF 7 SHEETS TOTAL



REVISIONS

DRAWN

CHECKED

DATE 22.11. 0
9:57

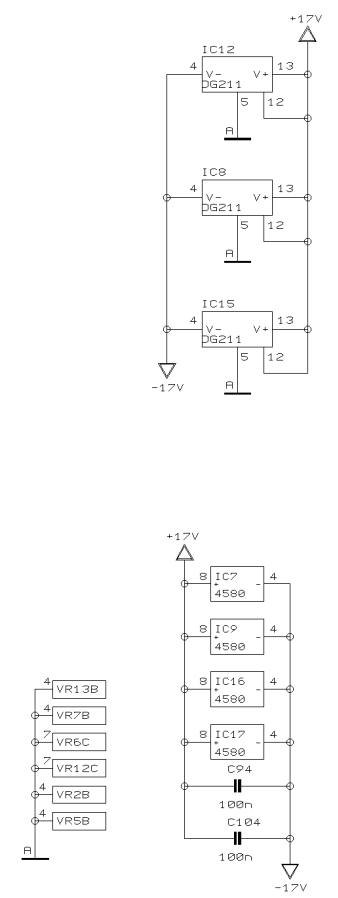
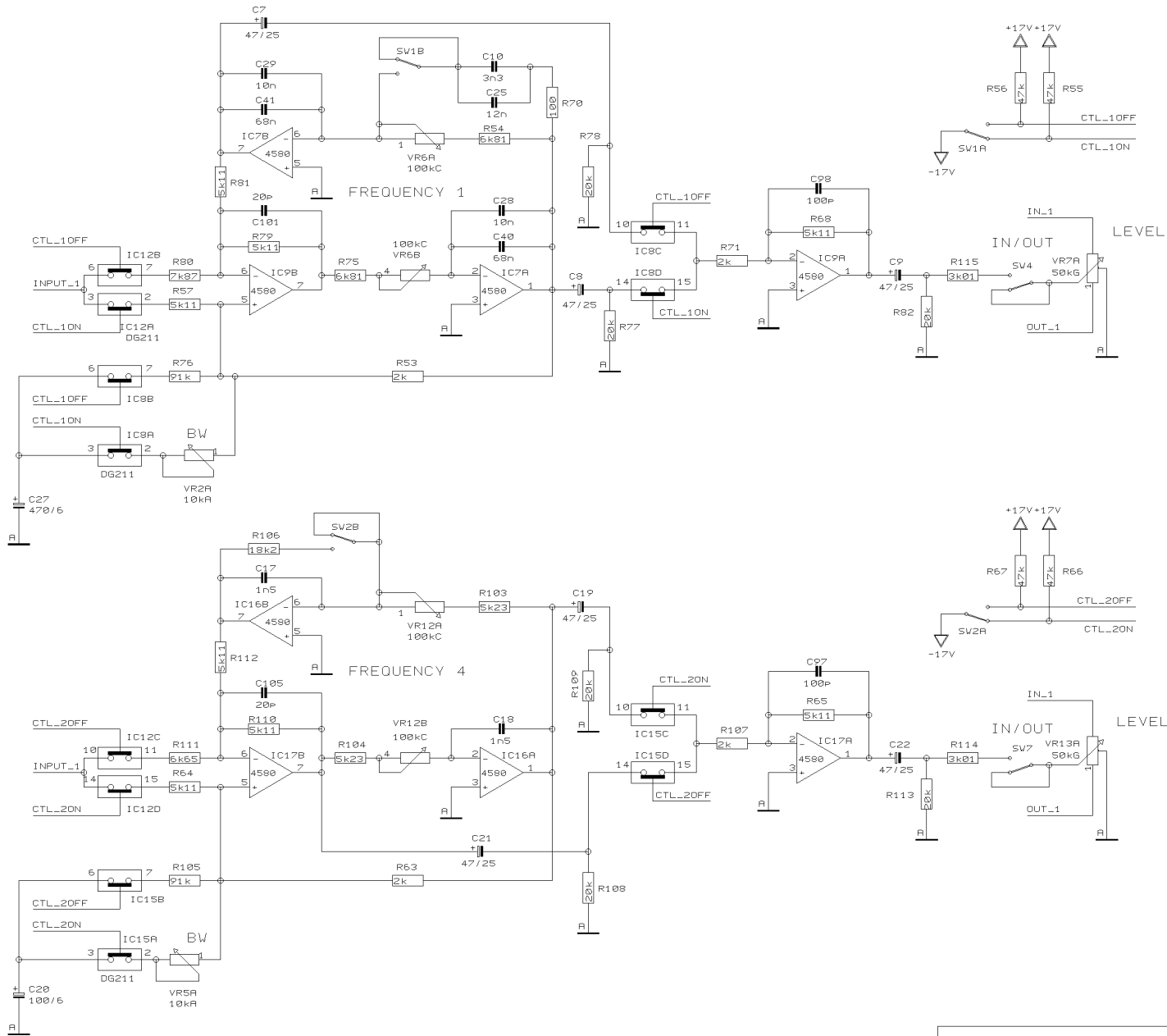
E

BEHRINGER®

Specialized Studio Equipment

PROJECT
T1951
ULTRA-Q TUBE
INPUT/OUTPUT SEC. 1&2

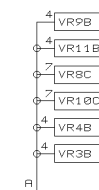
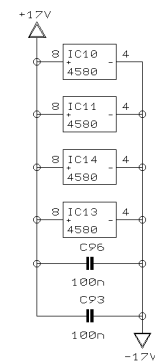
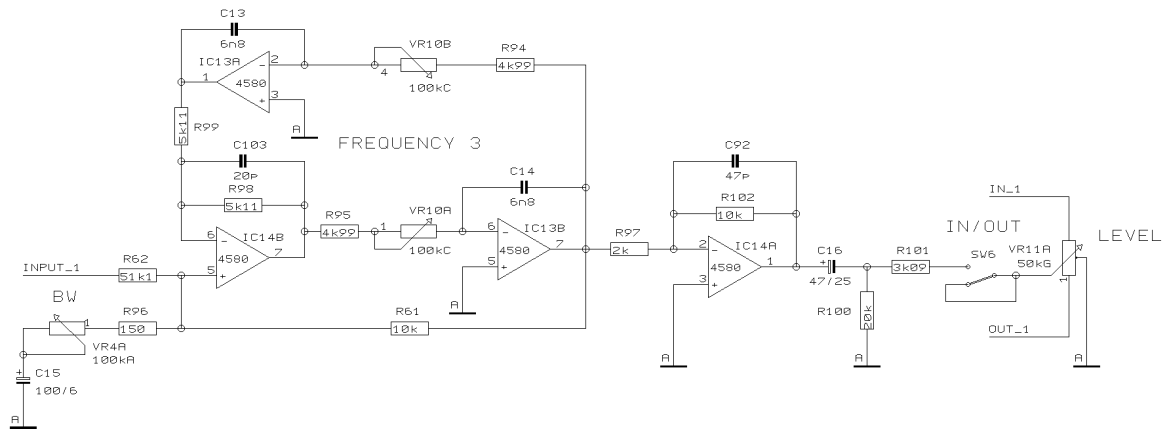
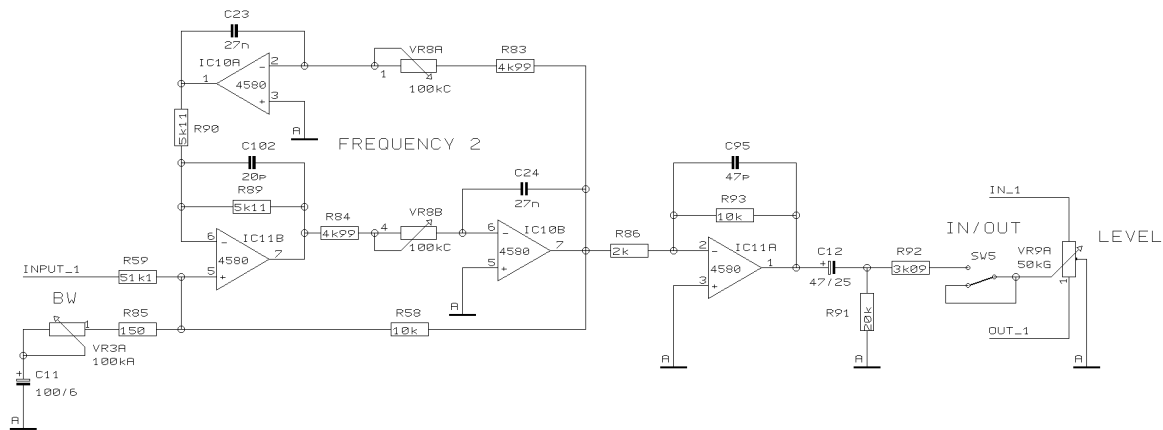
SHEET 3 OF 7 SHEETS TOTAL



| | | |
|-----------|---------|-----------------------|
| REVISIONS | | |
| E | | |
| DRAWN | CHECKED | DATE 22.11. 0 9:57 |



PROJECT
T1951
ULTRA-Q TUBE
FILTER 1 & 4 CH. 1
SHEET 4 OF 7 SHEETS TOTAL



REVISIONS

E

DRAWN

CHECKED

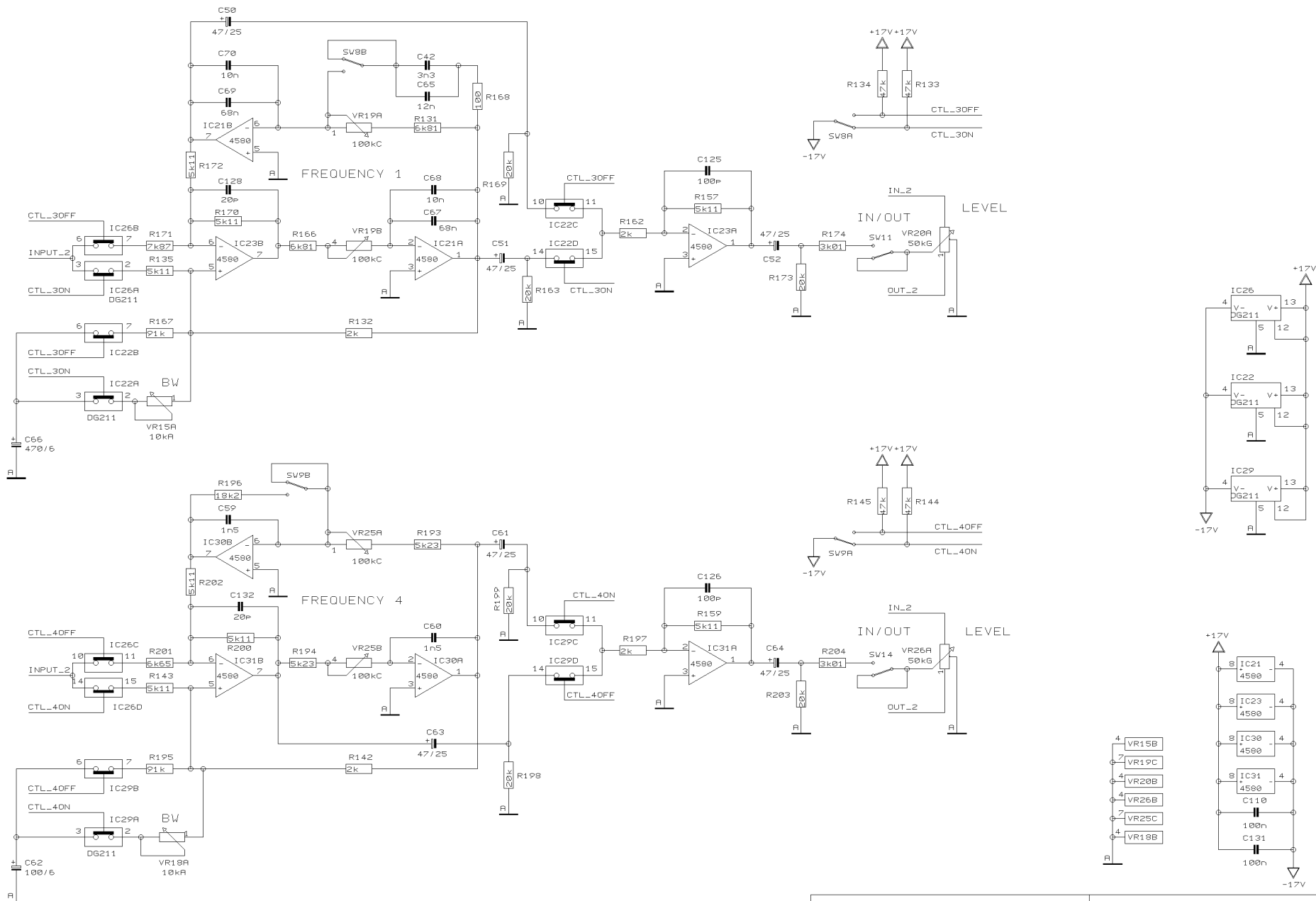
DATE 22.11. 0
9:57

BEHRINGER®

Specialized Studio Equipment

PROJECT
T1951
ULTRA-Q TUBE
FILTER 2 & 3 CH. 1

SHEET 5 OF 7 SHEETS TOTAL



REVISIONS

E

DRAWN

CHECKED

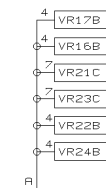
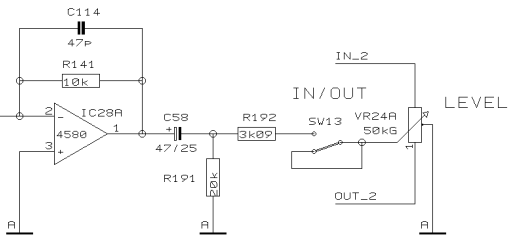
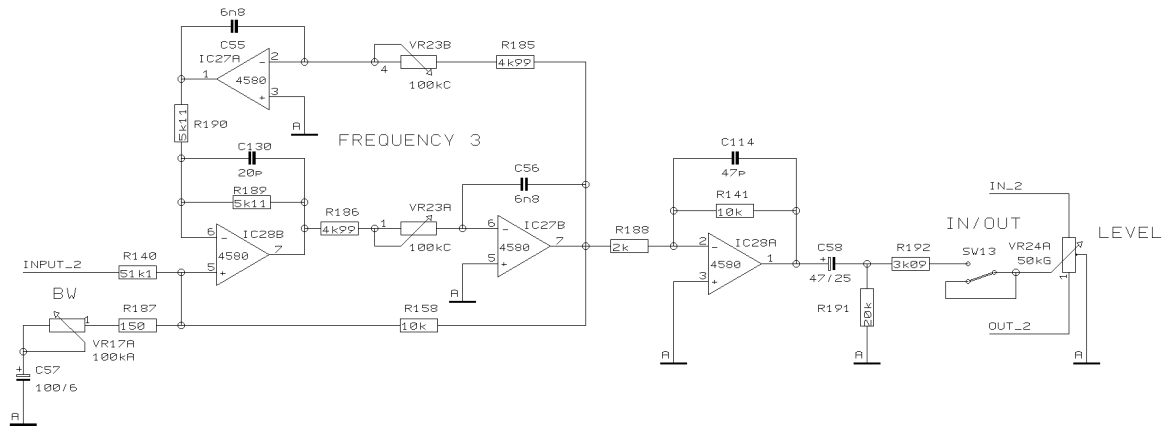
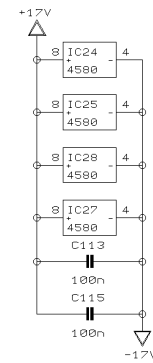
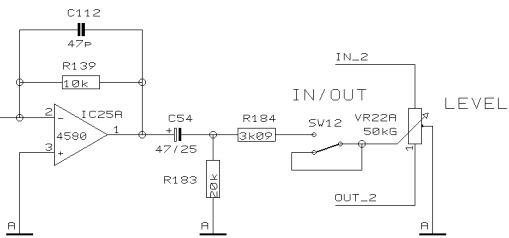
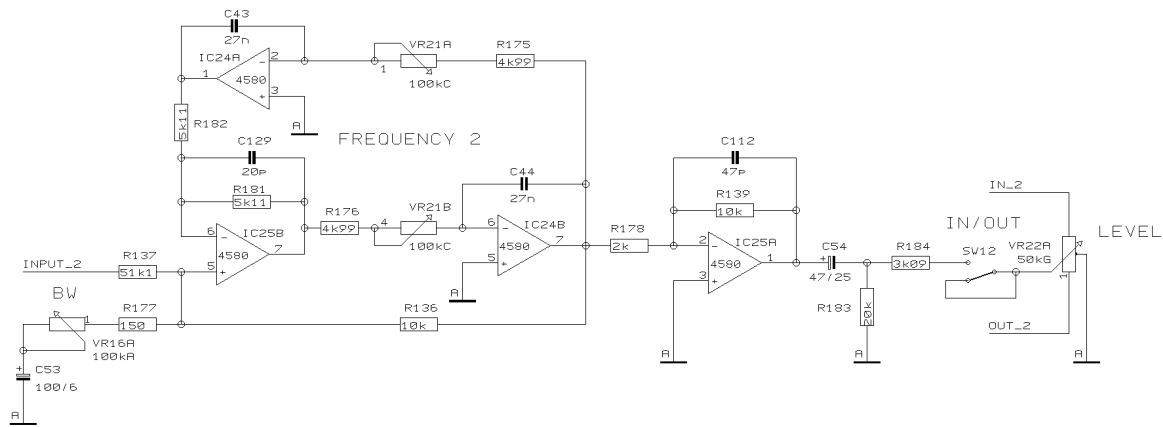
DATE 22.11. 0
9:57

BEHRINGER®

Specialized Studio Equipment

PROJECT
T1951
ULTRA-Q TUBE
FILTER 1 & 4 CH. 2

SHEET 6 OF 7 SHEETS TOTAL



REVISIONS

E

DRAWN

CHECKED

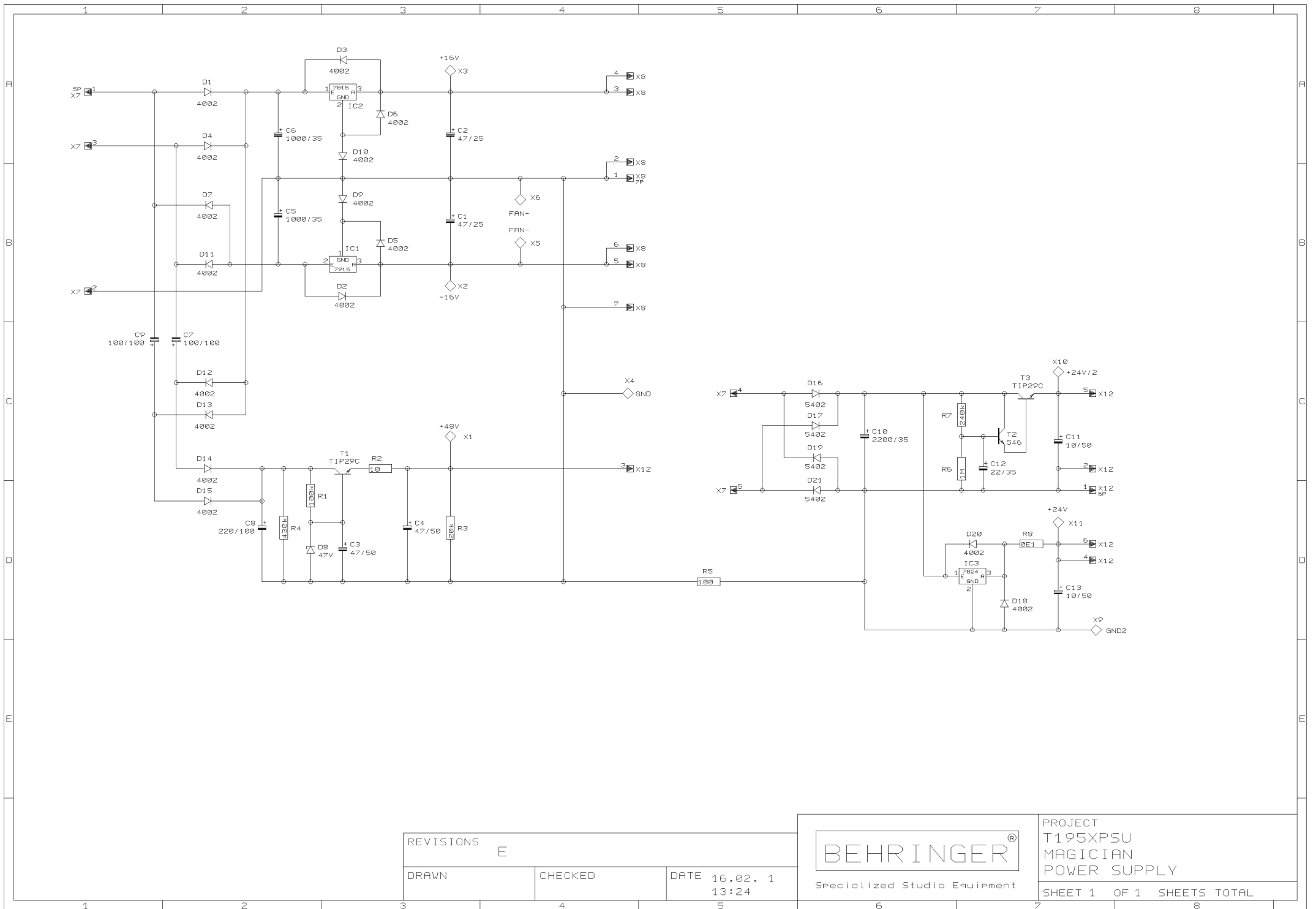
DATE 22.11. 0
9:57

BEHRINGER®

Specialized Studio Equipment

PROJECT
T1951
ULTRA-Q TUBE
FILTER 2 & 3 CH. 2

SHEET 7 OF 7 SHEETS TOTAL



REVISIONS

E

DRAWN

CHECKED

DATE 16.02. 1
13:24



Specialized Studio Equipment

PROJECT
T195XPSU
MAGICIAN
POWER SUPPLY

SHEET 1 OF 1 SHEETS TOTAL