

REVISIONS

D

DRAWN

CHECKED

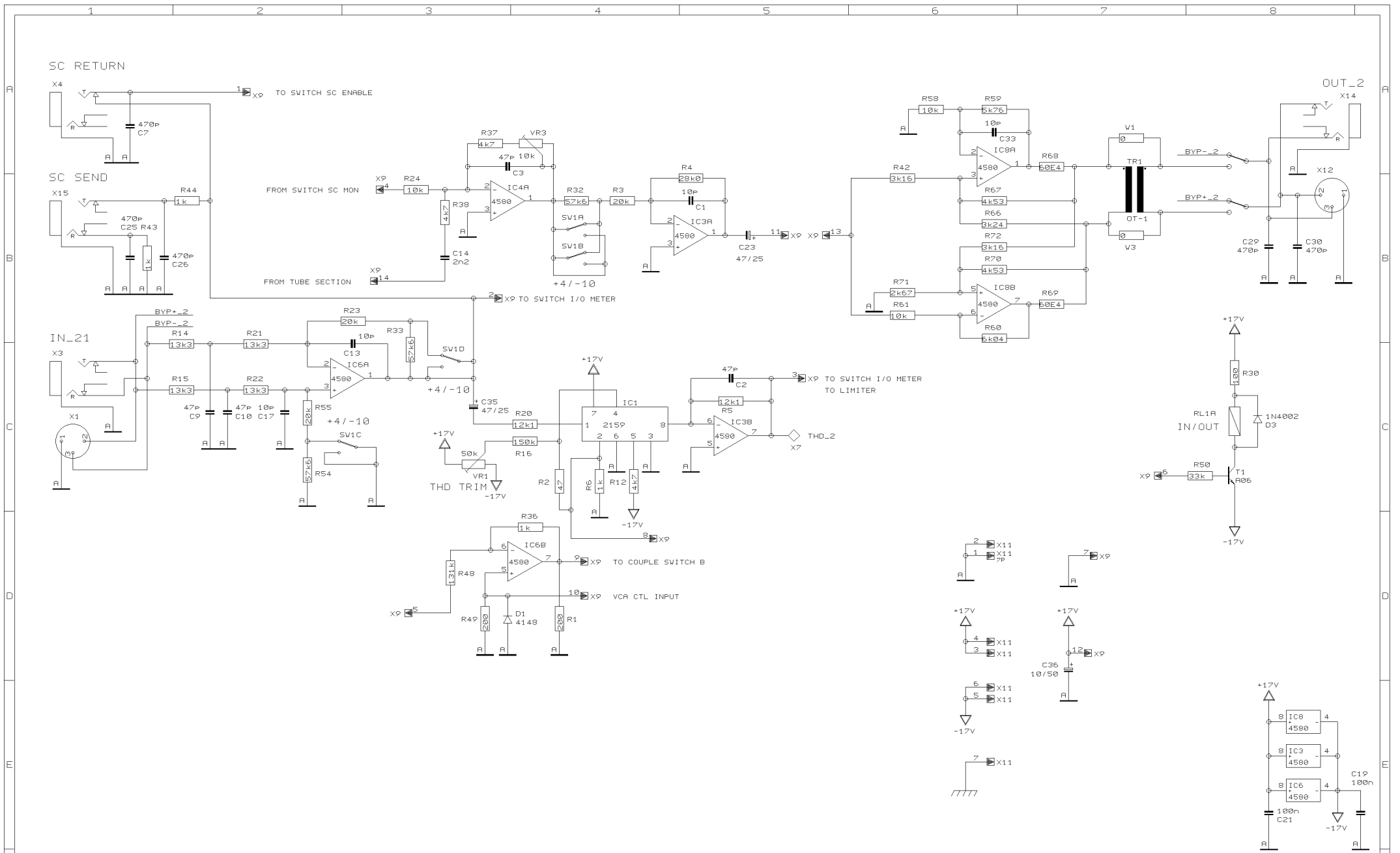
DATE 16.02. 1  
12:19

BEHRINGER®

Specialized Studio Equipment

PROJECT  
T1952  
INPUT/OUTPUT SECTION  
CHANNEL 1

SHEET 1 OF 8 SHEETS TOTAL



REVISIONS

DRAWN

CHECKED

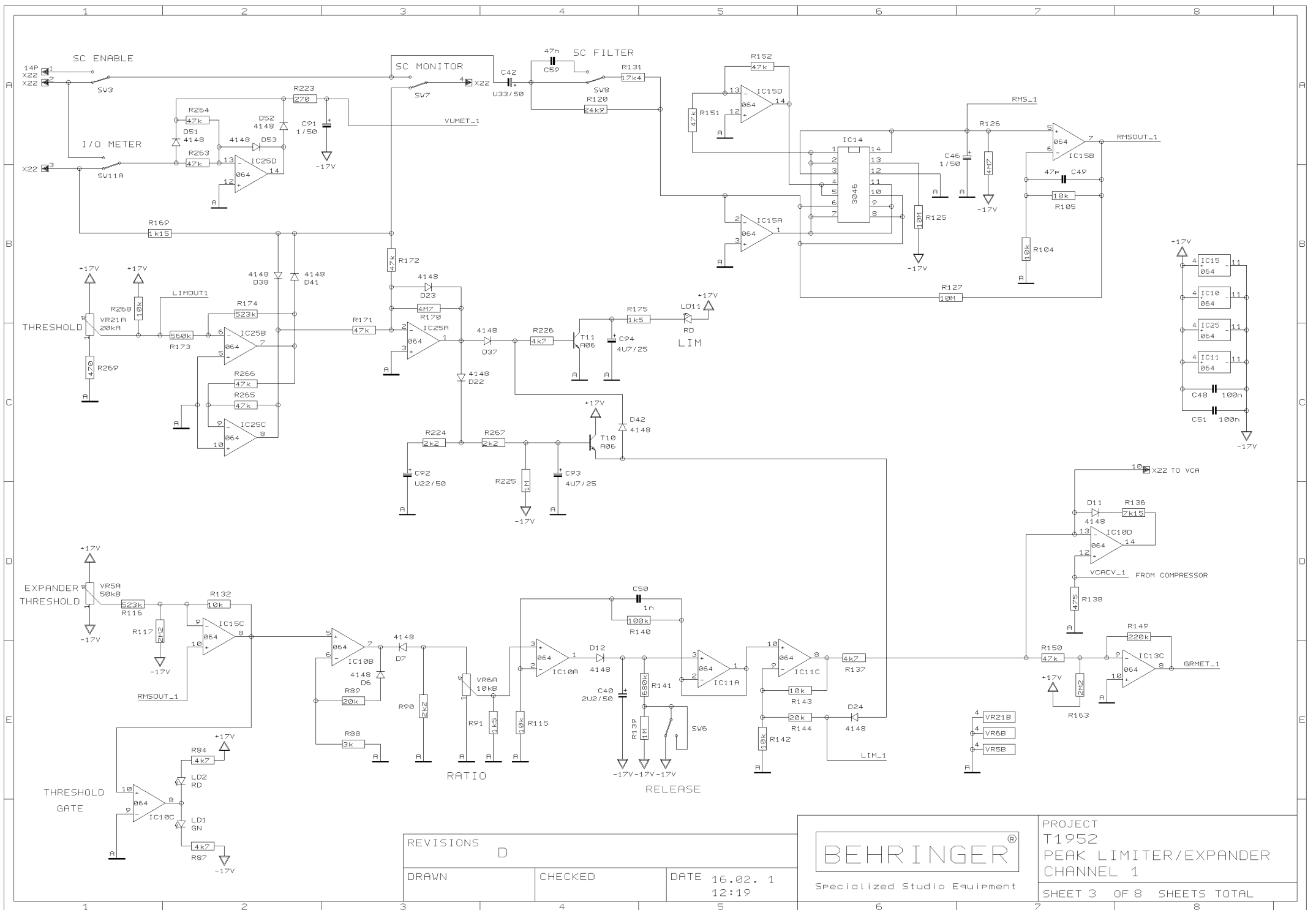
DATE 16.02. 1  
12:19

BEHRINGER®

Specialized Studio Equipment

PROJECT  
T1952  
INPUT/OUTPUT SECTION  
CHANNEL 2

SHEET 2 OF 8 SHEETS TOTAL

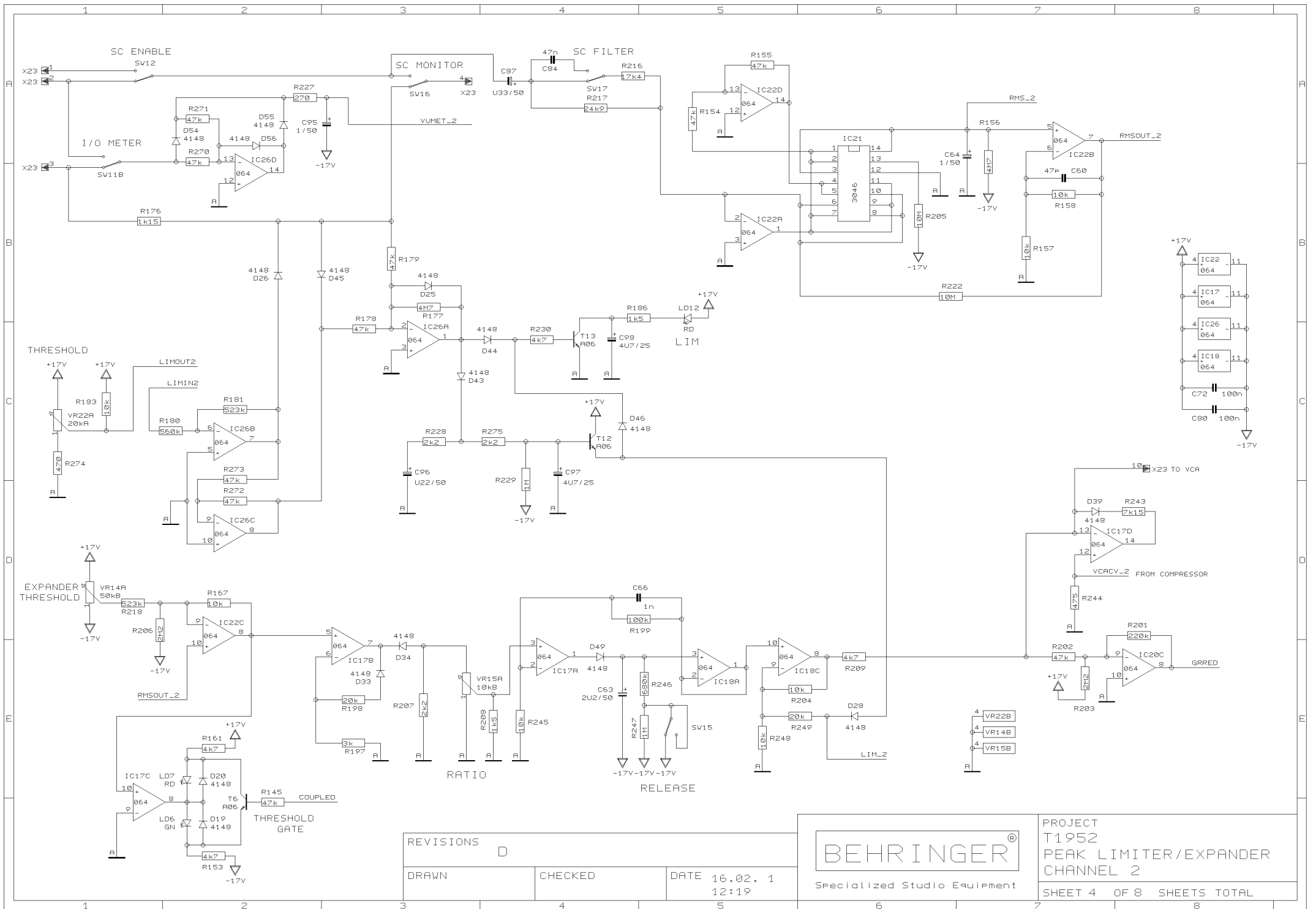


REVISIONS

REVISIONS	D
DRAWN	CHECKED
DATE	16.02. 1
	12:19



PROJECT  
T1952  
PEAK LIMITER/EXPANDER  
CHANNEL 1  
SHEET 3 OF 8 SHEETS TOTAL



REVISIONS

D

DRAWN

CHECKED

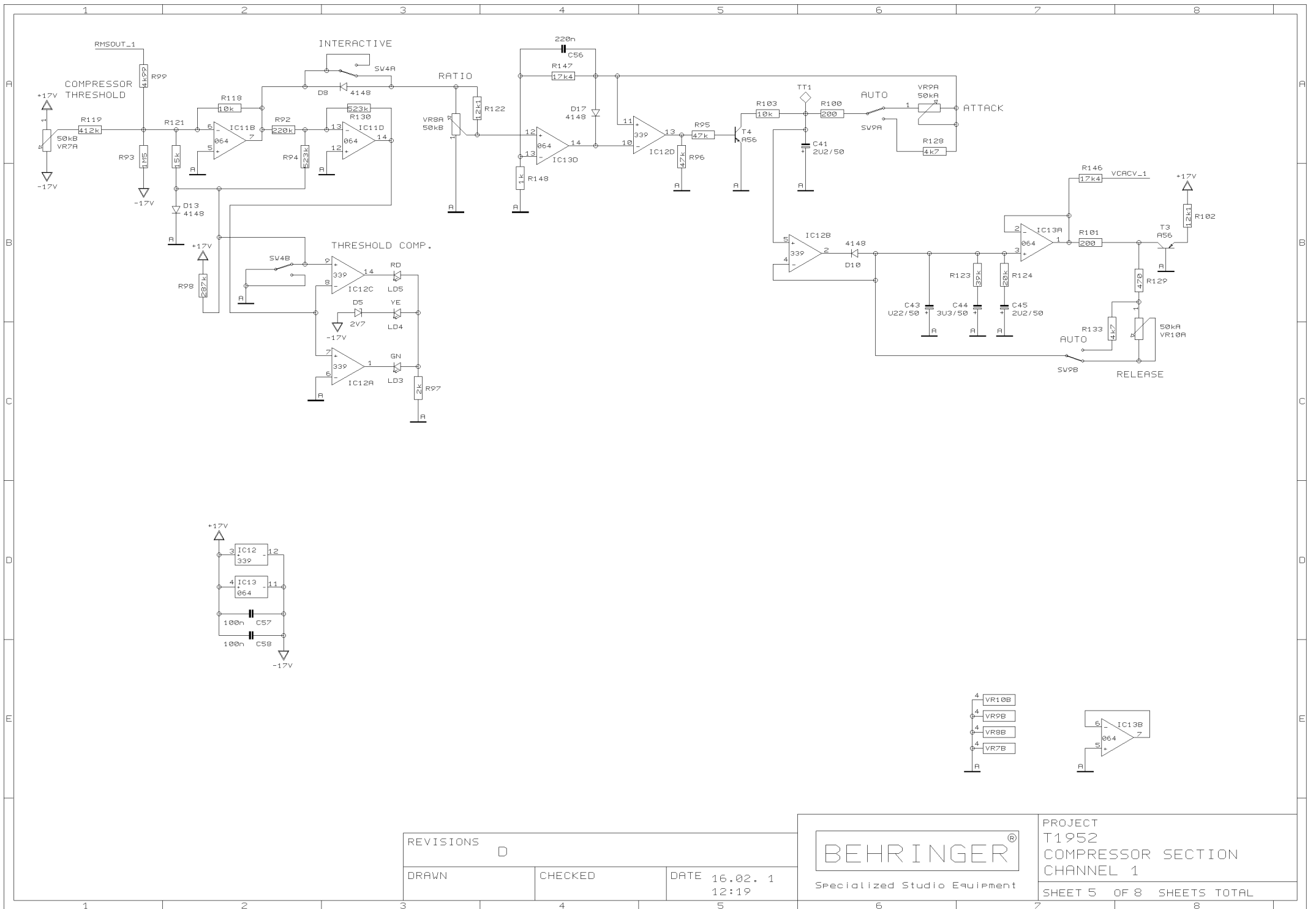
DATE 16.02. 1  
12:19

BEHRINGER®

Specialized Studio Equipment

PROJECT  
T1952  
PEAK LIMITER/EXPANDER  
CHANNEL 2

SHEET 4 OF 8 SHEETS TOTAL



REVISIONS

D

DRAWN

CHECKED

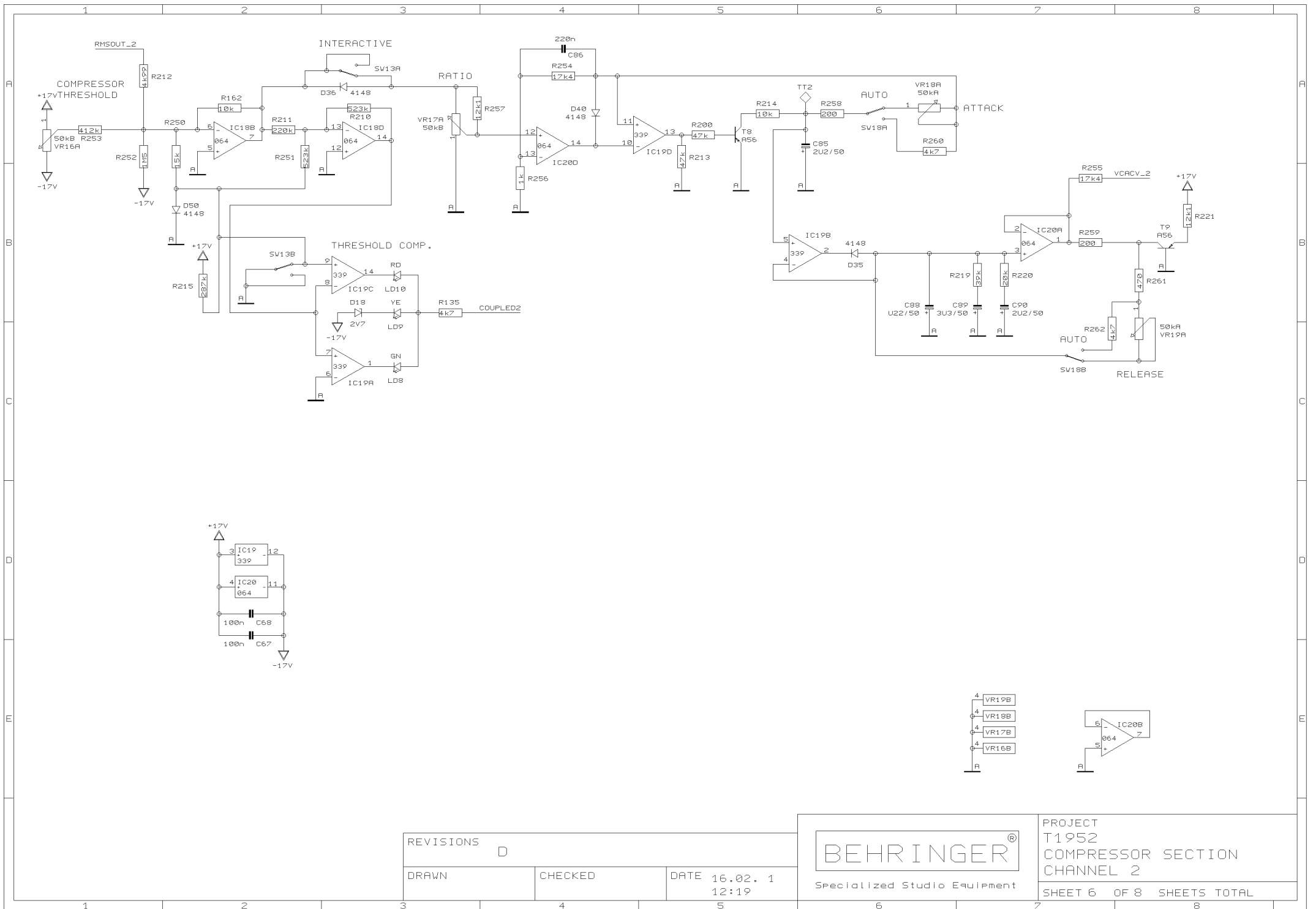
DATE 16.02. 1  
12:19

BEHRINGER®

Specialized Studio Equipment

PROJECT  
T1952  
COMPRESSOR SECTION  
CHANNEL 1

SHEET 5 OF 8 SHEETS TOTAL



REVISIONS

D

DRAWN

CHECKED

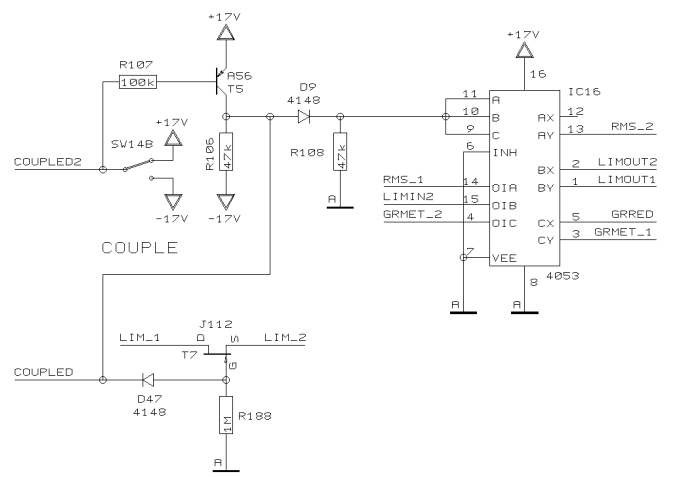
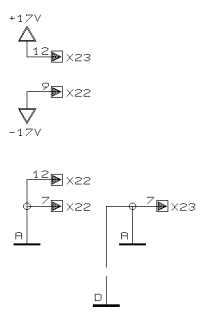
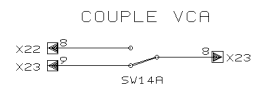
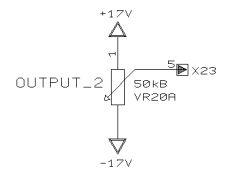
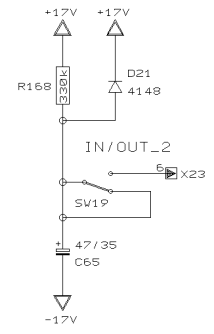
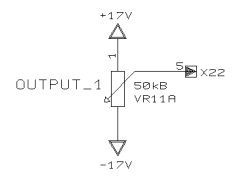
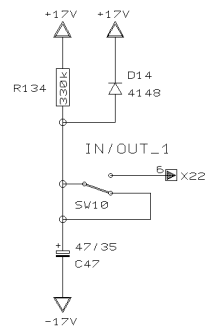
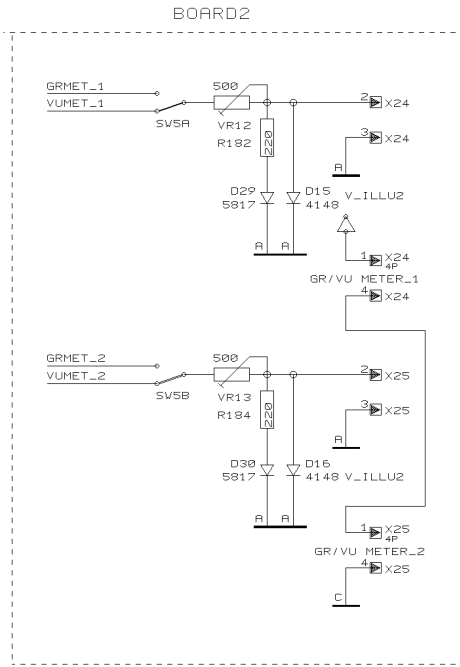
DATE 16.02. 1  
12:19

BEHRINGER®

Specialized Studio Equipment

PROJECT  
T1952  
COMPRESSOR SECTION  
CHANNEL 2

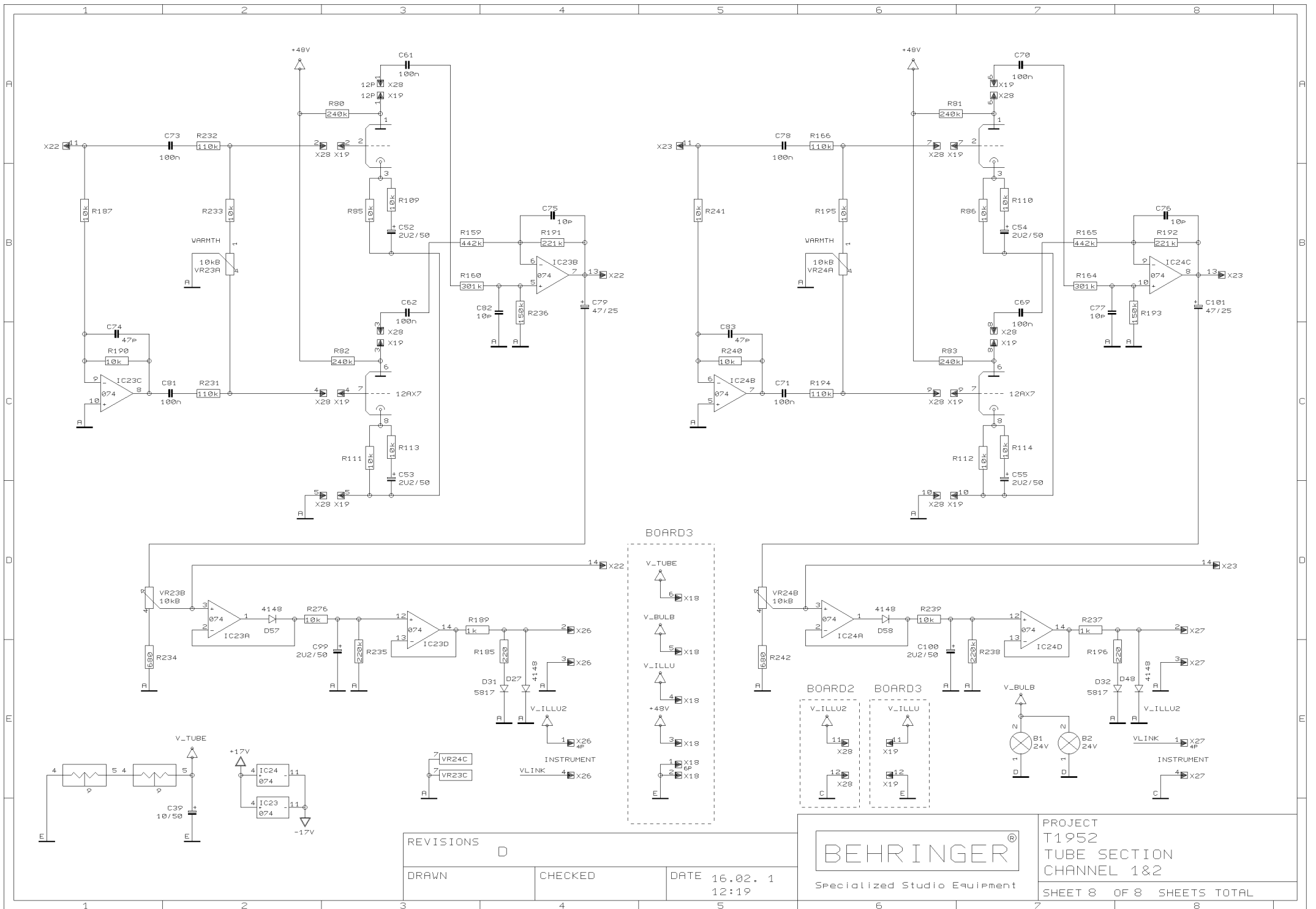
SHEET 6 OF 8 SHEETS TOTAL



REVISIONS		
D		
DRAWN	CHECKED	DATE 16.02. 1 12:19



PROJECT T1952 IN/OUT & COUPLE SECTION CHANNEL 1&2
SHEET 7 OF 8 SHEETS TOTAL



REVISIONS

DRAWN

CHECKED

DATE 16.02. 1  
12:19



PROJECT  
T1952  
TUBE SECTION  
CHANNEL 1&2  
SHEET 8 OF 8 SHEETS TOTAL