

REVISIONS D (12/08/02)

DRAWN BHK

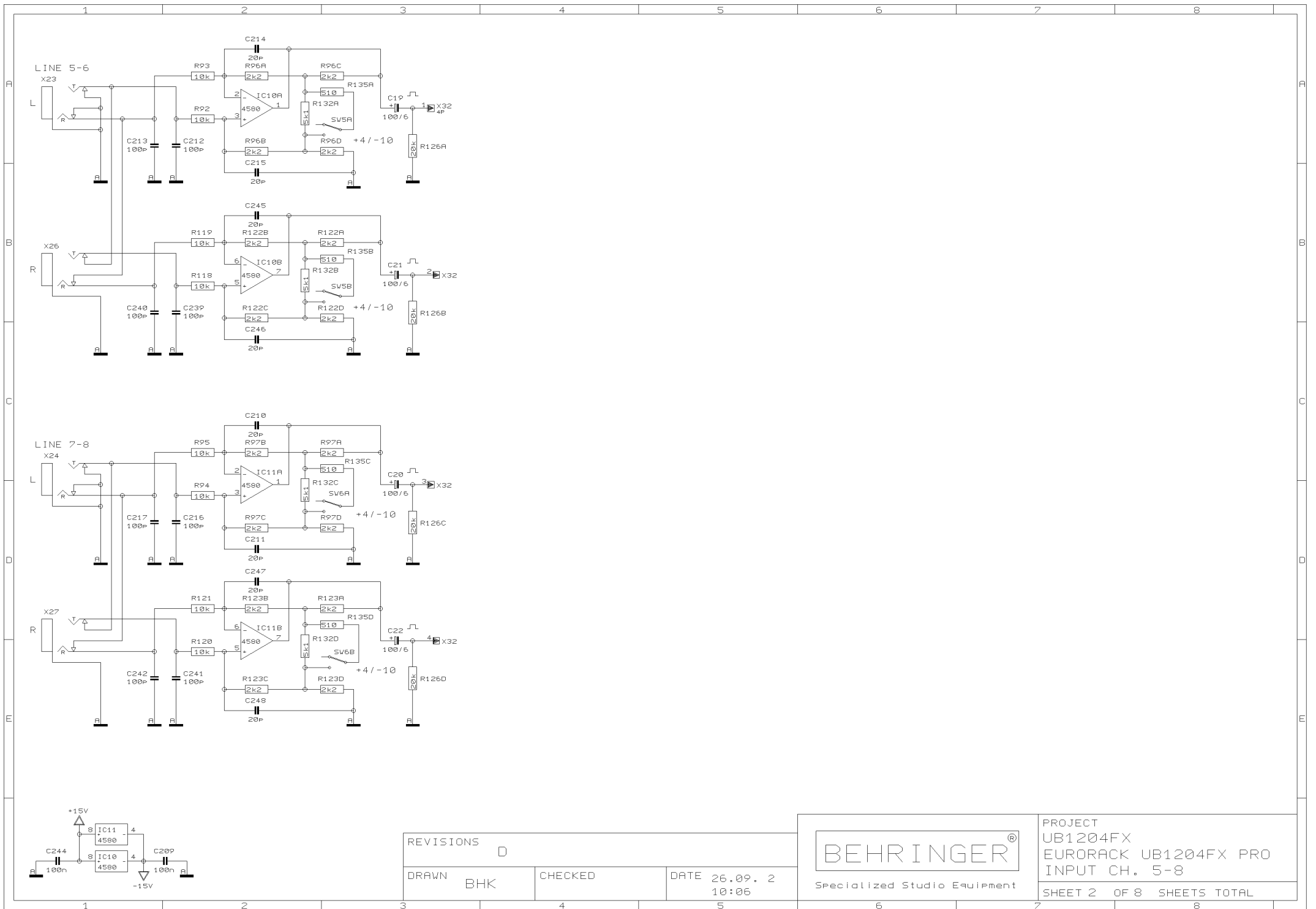
CHECKED

DATE 26.09. 2
10:05



PROJECT UB1204FX
EURORACK UB1204FX PRO
MIC INPUT CH. 1-4

SHEET 1 OF 8 SHEETS TOTAL



REVISIONS
D

DRAWN
BHK

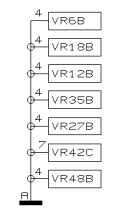
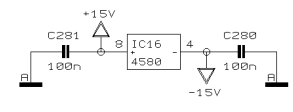
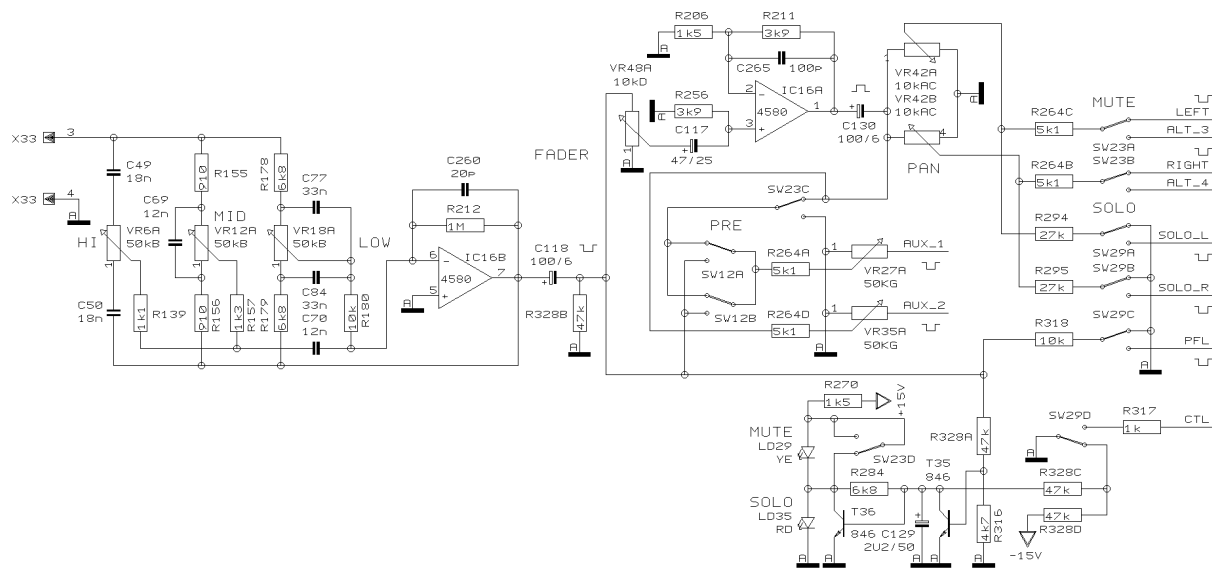
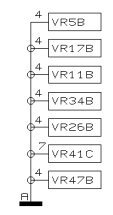
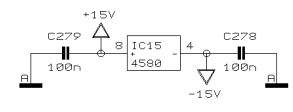
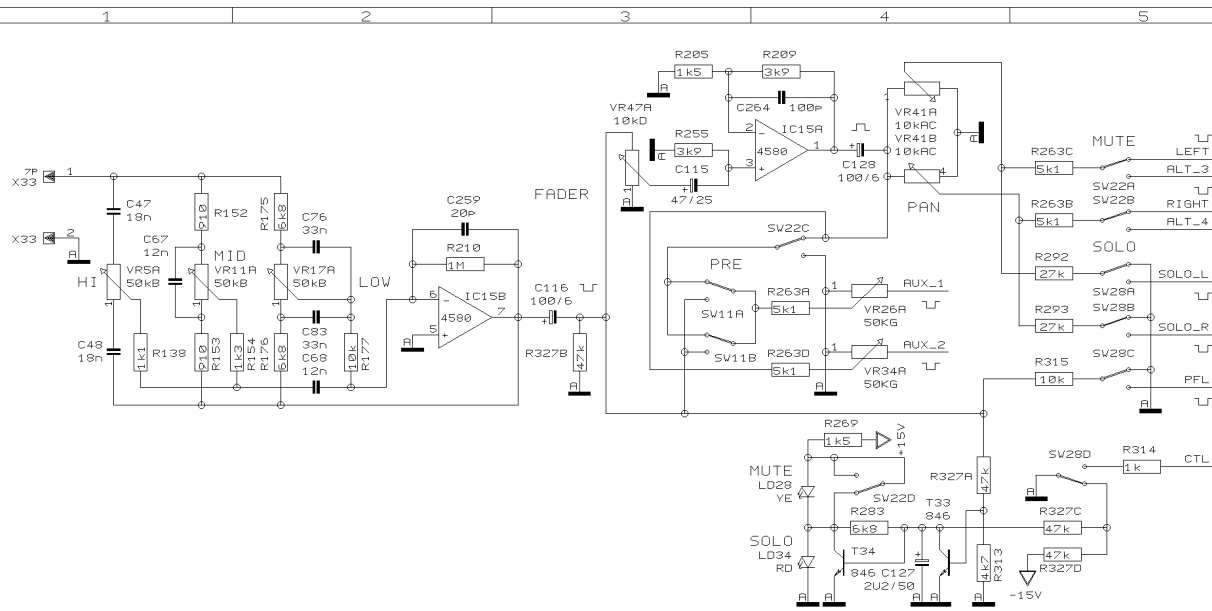
CHECKED

DATE 26.09. 2
10:06



PROJECT
UB1204FX
EURORACK UB1204FX PRO
INPUT CH. 5-8

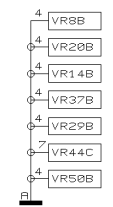
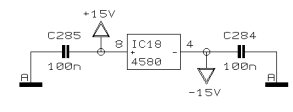
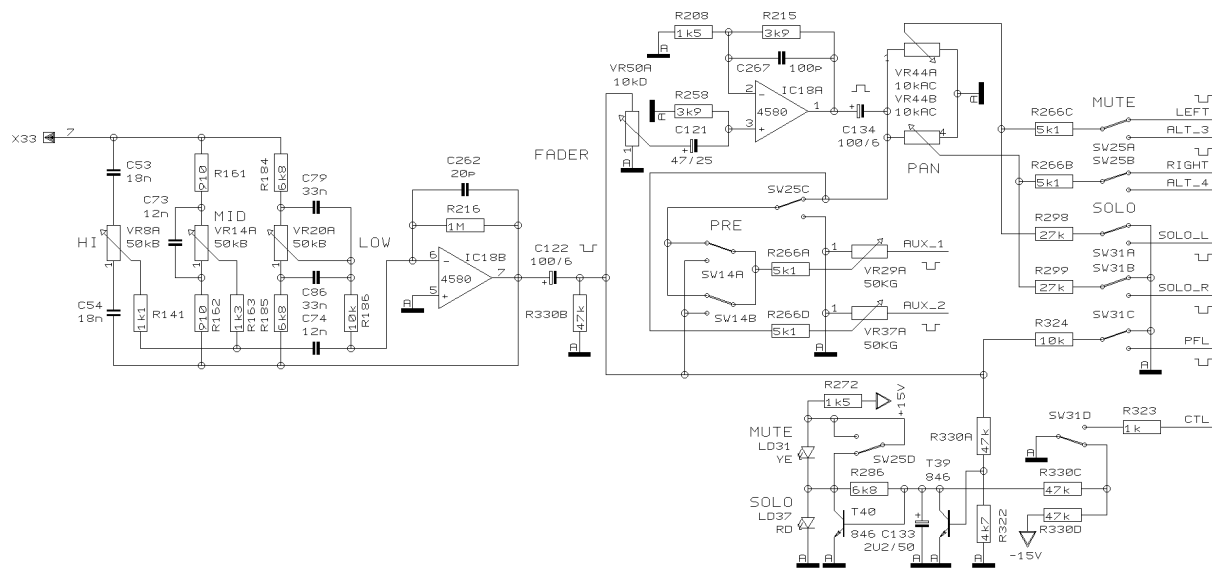
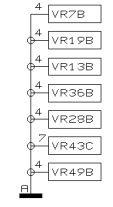
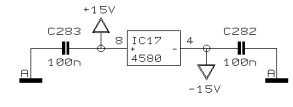
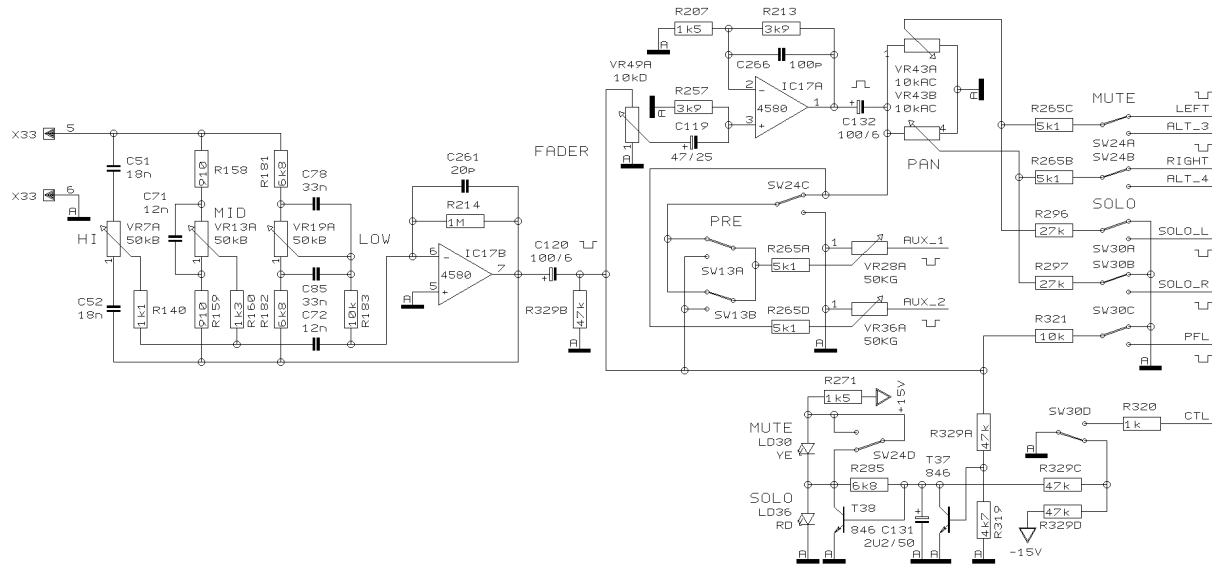
SHEET 2 OF 8 SHEETS TOTAL



REVISIONS		D	
DRAWN	BHK	CHECKED	DATE 26.09. 2 10:06



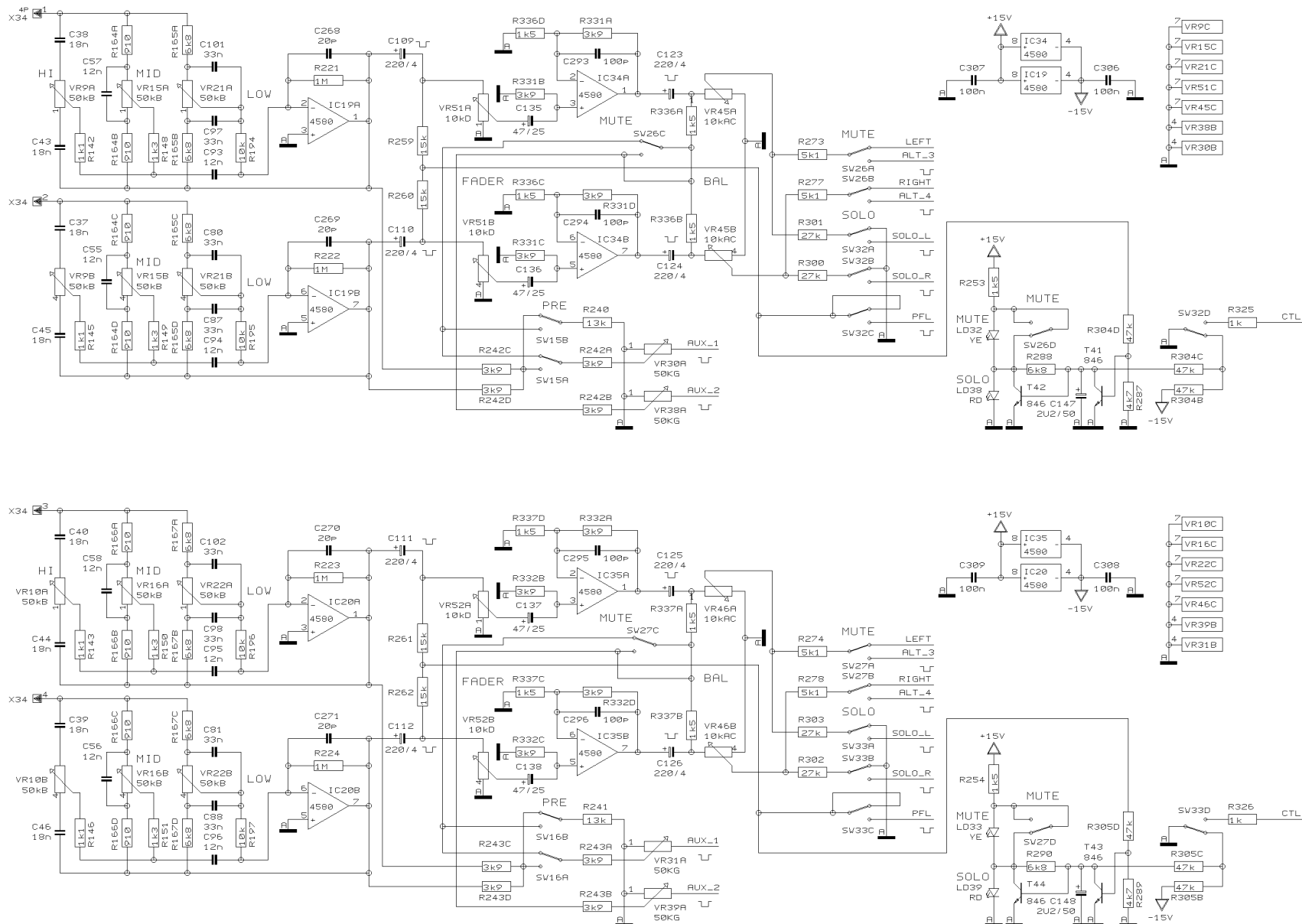
PROJECT
UB1204FX
EURORACK UB1204FX PRO
CHANNEL 1 & 2
SHEET 3 OF 8 SHEETS TOTAL



REVISIONS	D		
DRAWN	BHK	CHECKED	DATE 26.09. 2 10:07



PROJECT
UB1204FX
EURORACK UB1204FX PRO
CHANNEL 3 & 4
SHEET 4 OF 8 SHEETS TOTAL



REVISIONS

D

DRAWN

BHK

CHECKED

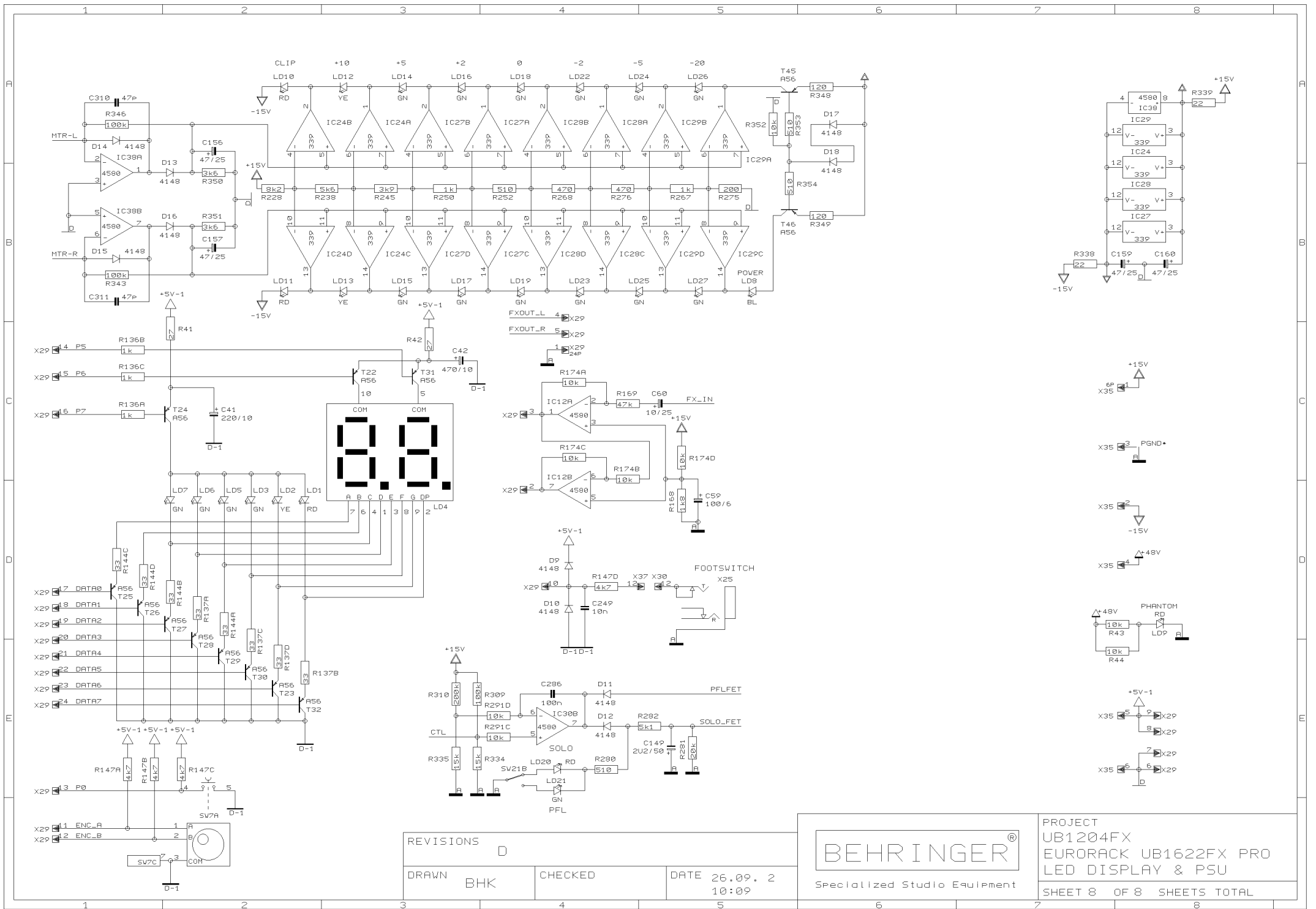
DATE 26.09. 2
10:07

BEHRINGER®

Specialized Studio Equipment

PROJECT
UB1204FX
EURORACK UB1204FX PRO
STEREO CHANNEL 5-8

SHEET 5 OF 8 SHEETS TOTAL



REVISIONS

D

DRAWN

BHK

CHECKED

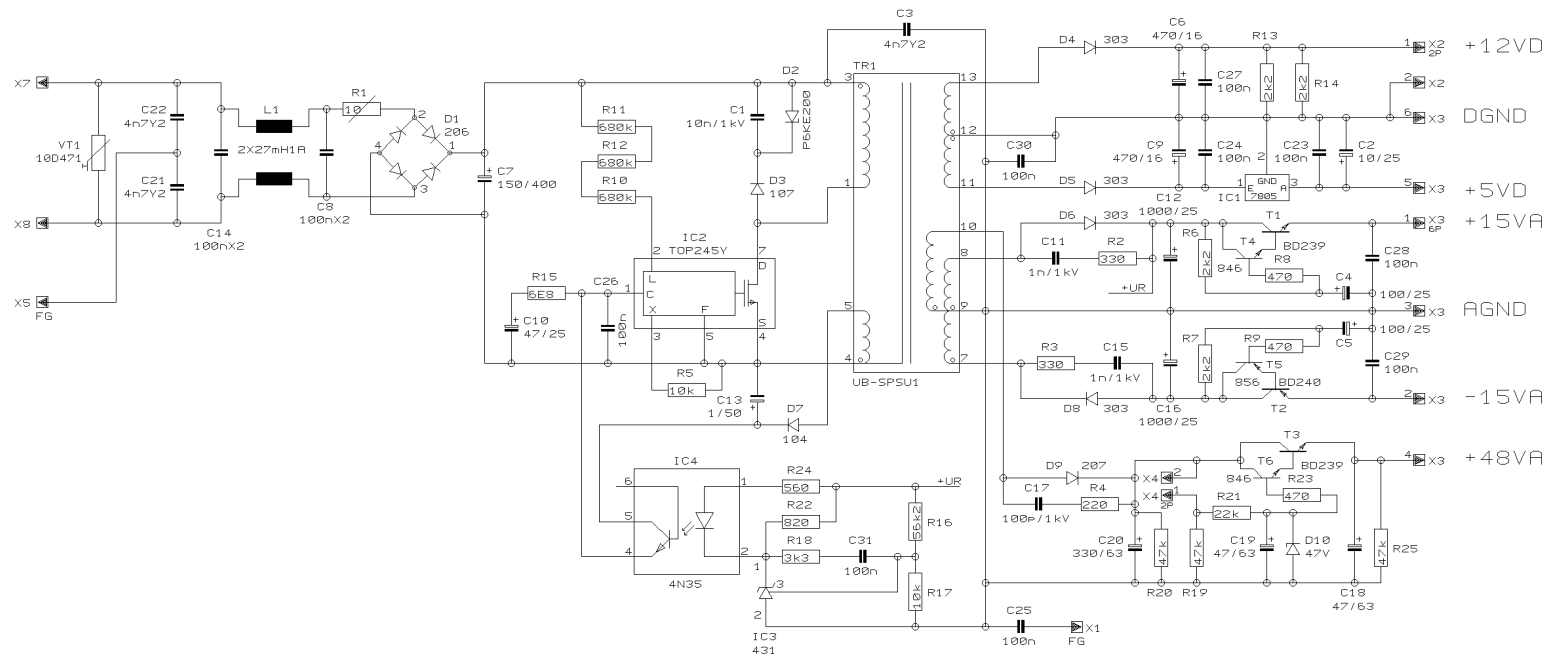
DATE 26.09. 2
10:09

BEHRINGER®

Specialized Studio Equipment

PROJECT
UB1204FX
EURORACK UB1622FX PRO
LED DISPLAY & PSU

SHEET 8 OF 8 SHEETS TOTAL



REVISIONS D (30/07/02)

DRAWN TZ

CHECKED

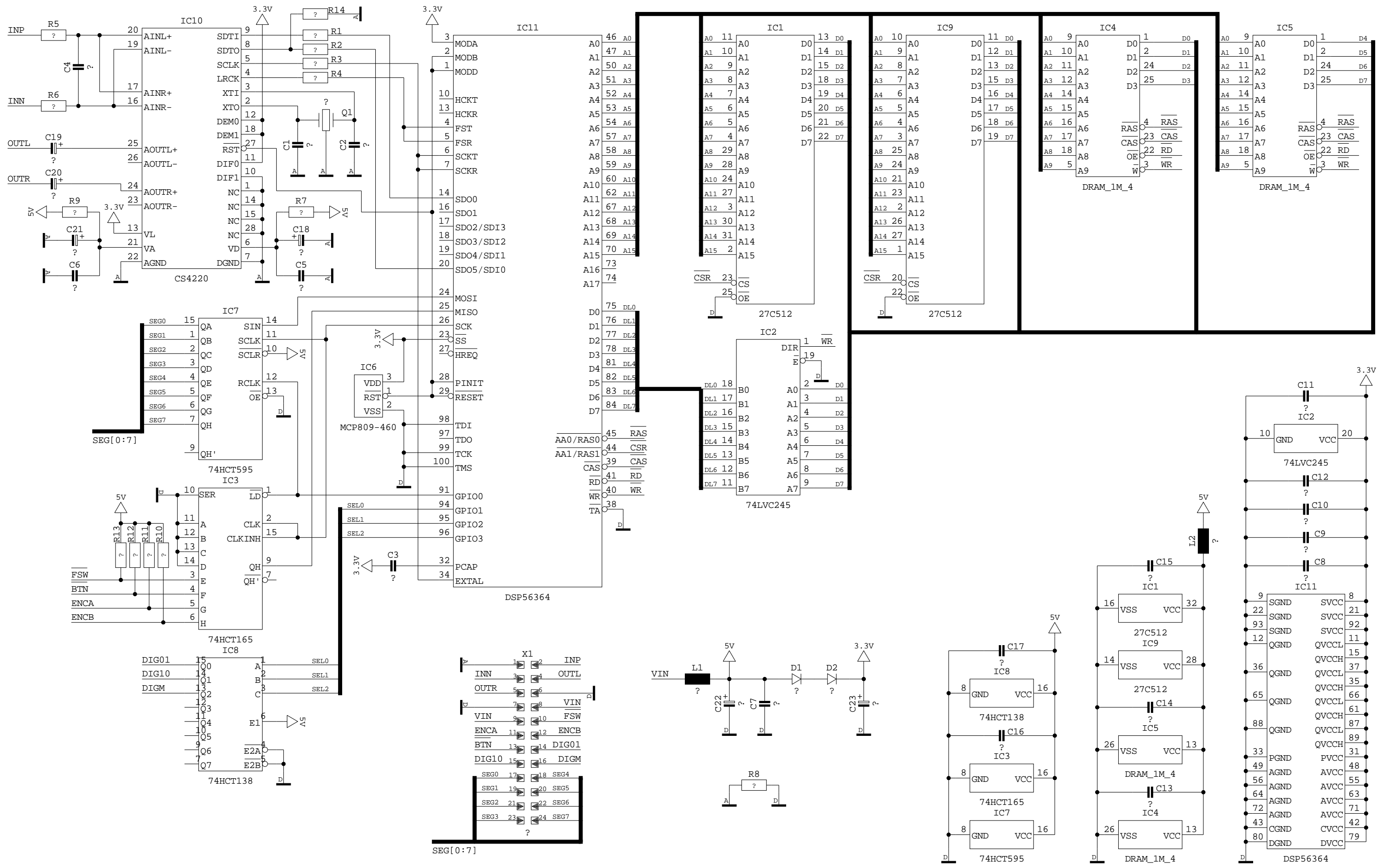
DATE 26.09. 2
16:37



Specialized Studio Equipment

PROJECT
UB-SPSU2
SWITCH MODE PSU
FOR UB MIXER SERIES

SHEET 1 OF 1 SHEETS TOTAL



REVISIONS		
A (March, 02. 2004)		
DRAWN	CHECKED	DATE
TZ		3-3-2004_16:49

BEHRINGER[®]
Specialized Studio Equipment

PROJECT	DPM5M	
SHEET	1 OF	1 SHEETS TOTAL