

REVISIONS D (31/10/03)

DRAWN SA

CHECKED

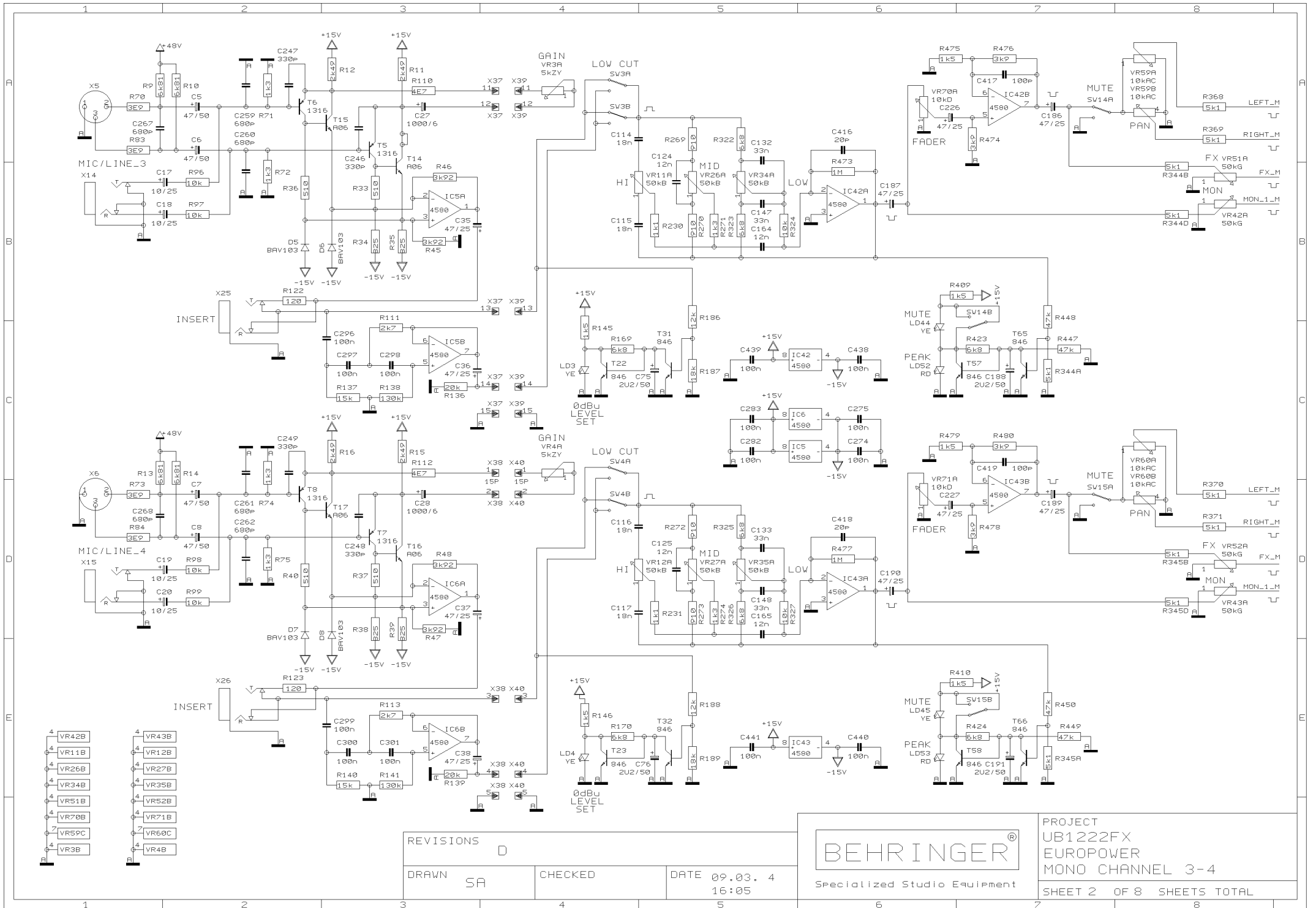
DATE 09.03. 4
16:05

BEHRINGER®

Specialized Studio Equipment

PROJECT
UB1222FX
EUROPOWER
MONO CHANNEL 1-2

SHEET 1 OF 8 SHEETS TOTAL

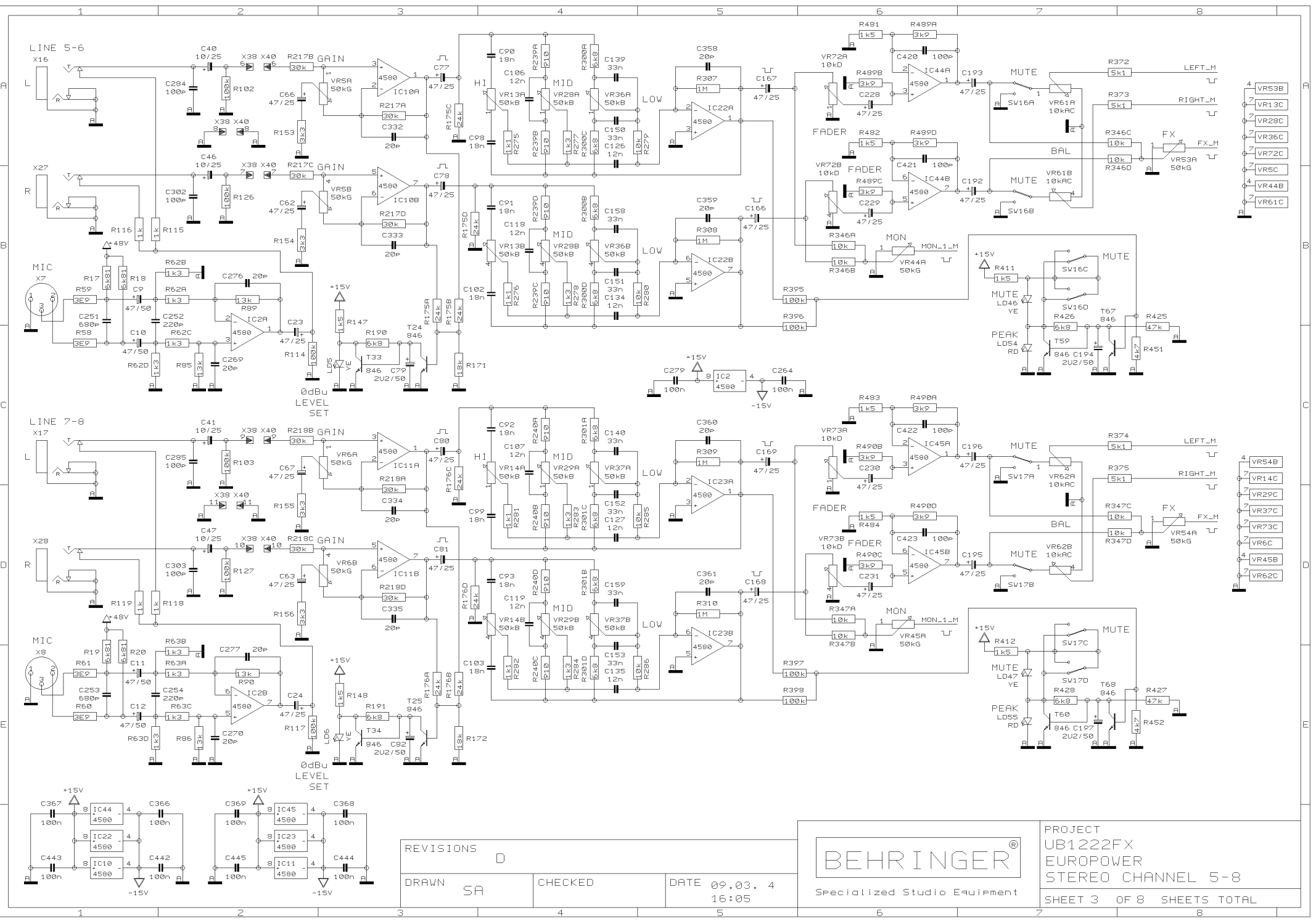


- 4 VR42B
- 4 VR11B
- 4 VR26B
- 4 VR34B
- 4 VR51B
- 4 VR70B
- 4 VR59C
- 4 VR3B
- 4 VR43B
- 4 VR12B
- 4 VR27B
- 4 VR35B
- 4 VR52B
- 4 VR71B
- 4 VR60C
- 4 VR4B

REVISIONS	D	CHECKED	DATE 09.03. 4
DRAWN	SA		16:05



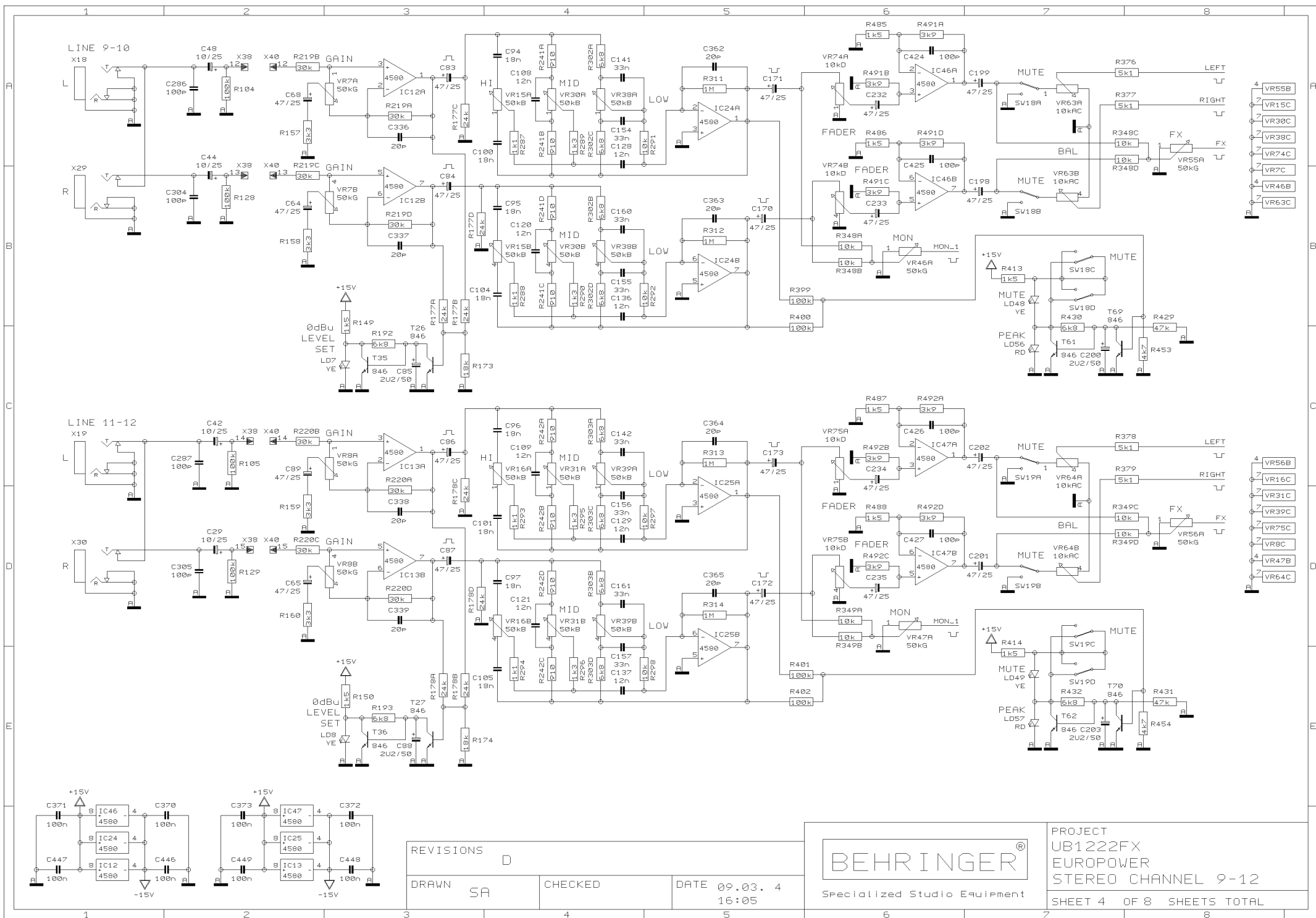
PROJECT
UB1222FX
EUROPOWER
MONO CHANNEL 3-4
SHEET 2 OF 8 SHEETS TOTAL



REVISIONS	D
DRAWN	SA
CHECKED	
DATE	09.03. 4 16:05



PROJECT
UB1222FX
EUROPOWER
STEREO CHANNEL 5-8
SHEET 3 OF 8 SHEETS TOTAL



REVISIONS

D

DRAWN SA

CHECKED

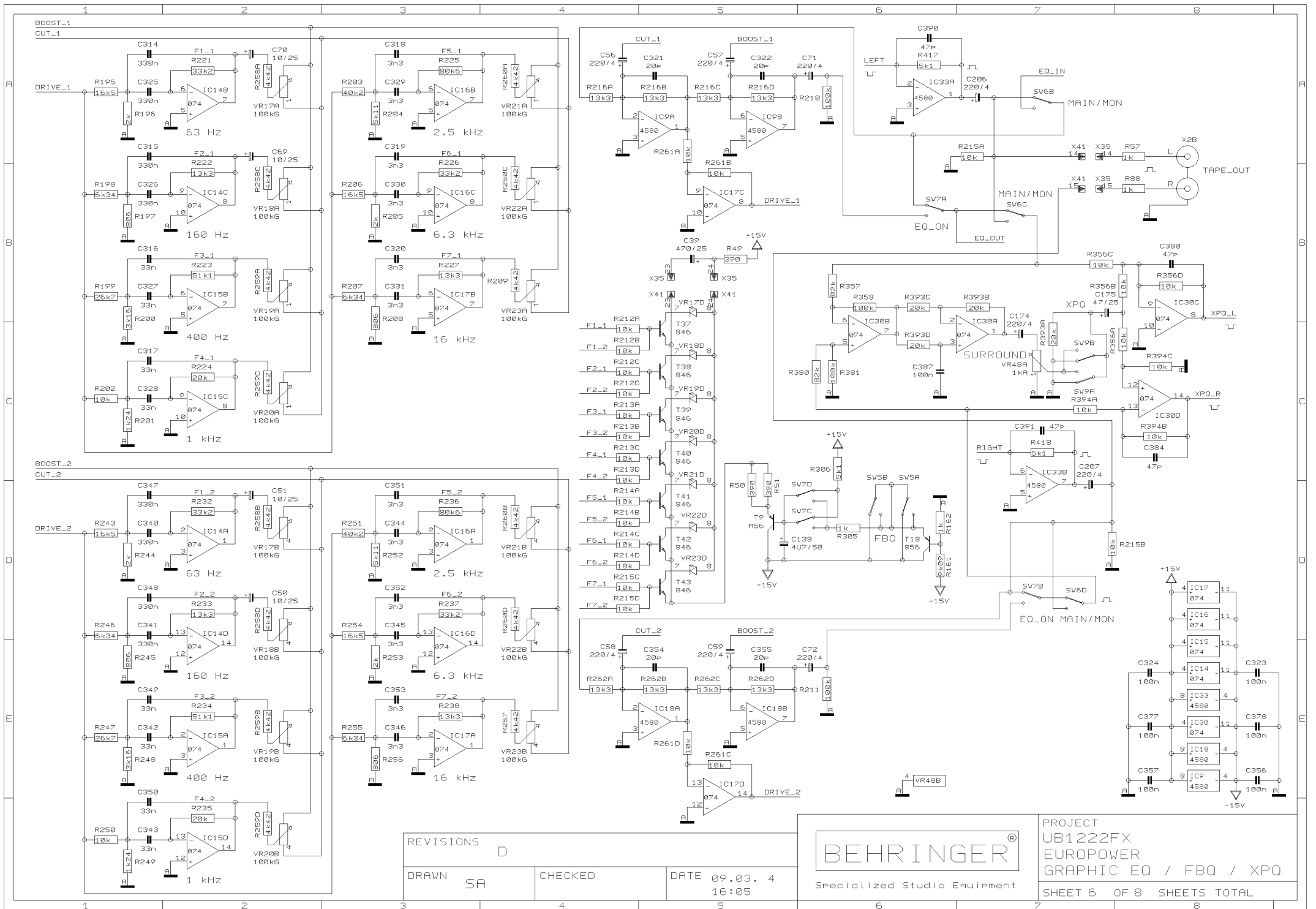
DATE 09.03. 4
16:05



Specialized Studio Equipment

PROJECT
UB1222FX
EUROPOWER
STEREO CHANNEL 9-12

SHEET 4 OF 8 SHEETS TOTAL



REVISIONS

D

DRAWN SA

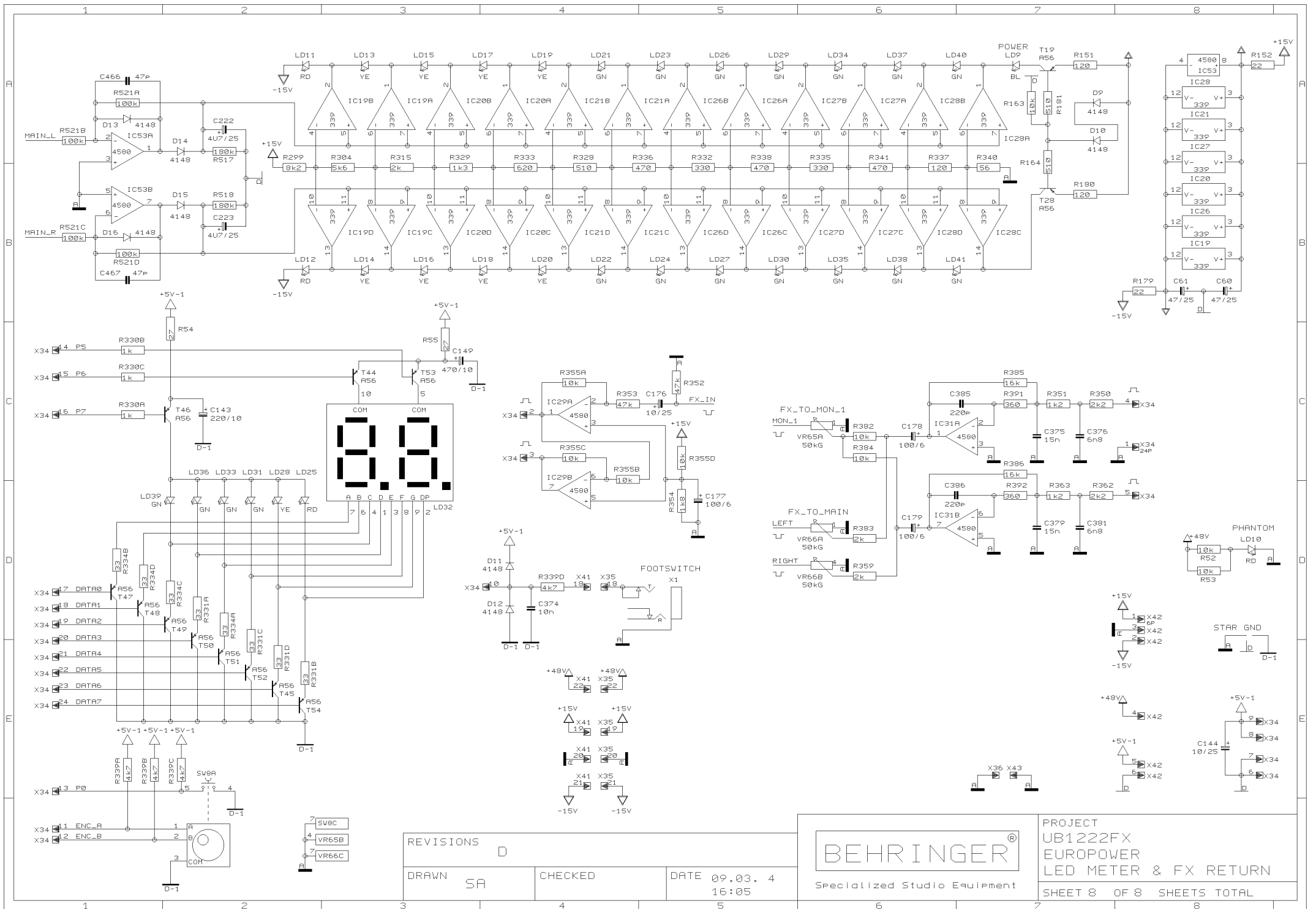
CHECKED

DATE 09.03. 4
16:05

BEHRINGER®

Specialized Studio Equipment

PROJECT
UB1222FX
EUROPOWER
GRAPHIC EQ / FBO / XPO
SHEET 6 OF 8 SHEETS TOTAL



REVISIONS

D

DRAWN

SA

CHECKED

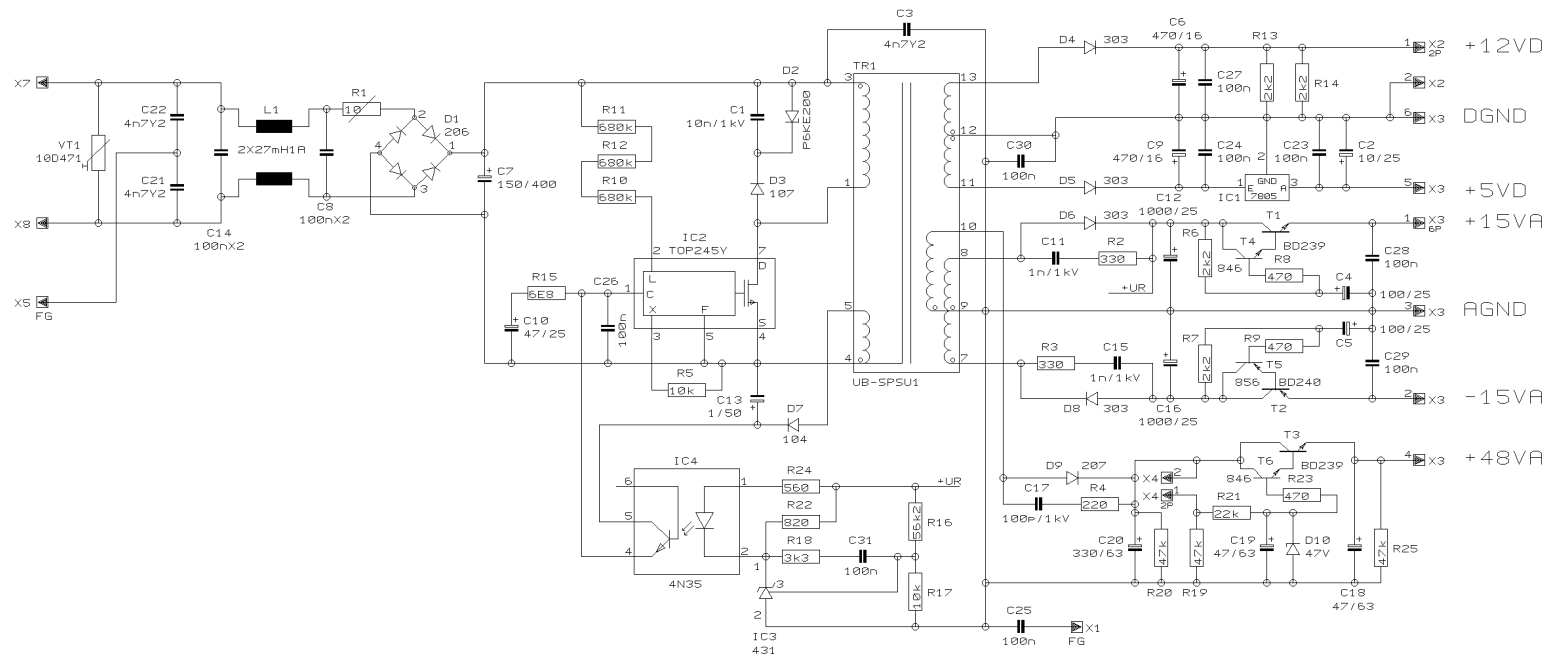
DATE 09.03. 4

16:05



Specialized Studio Equipment

PROJECT
UB1222FX
EUROPOWER
LED METER & FX RETURN
SHEET 8 OF 8 SHEETS TOTAL



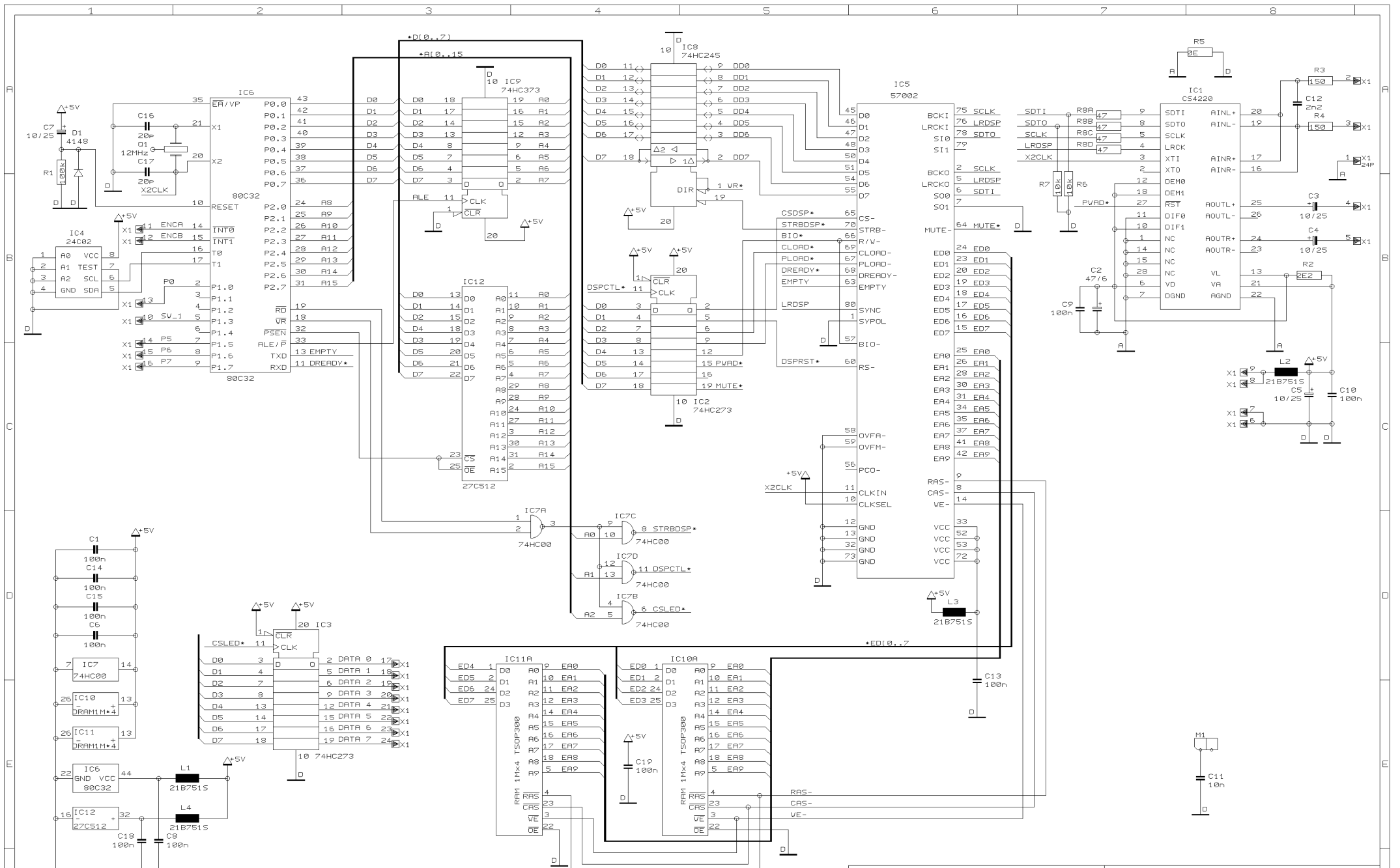
REVISIONS D (30/07/02)

DRAWN	TZ	CHECKED	DATE
			26.09. 2 16:37



Specialized Studio Equipment

PROJECT
UB-SPSU2
SWITCH MODE PSU
FOR UB MIXER SERIES
SHEET 1 OF 1 SHEETS TOTAL



REVISIONS
G (14/08/02)

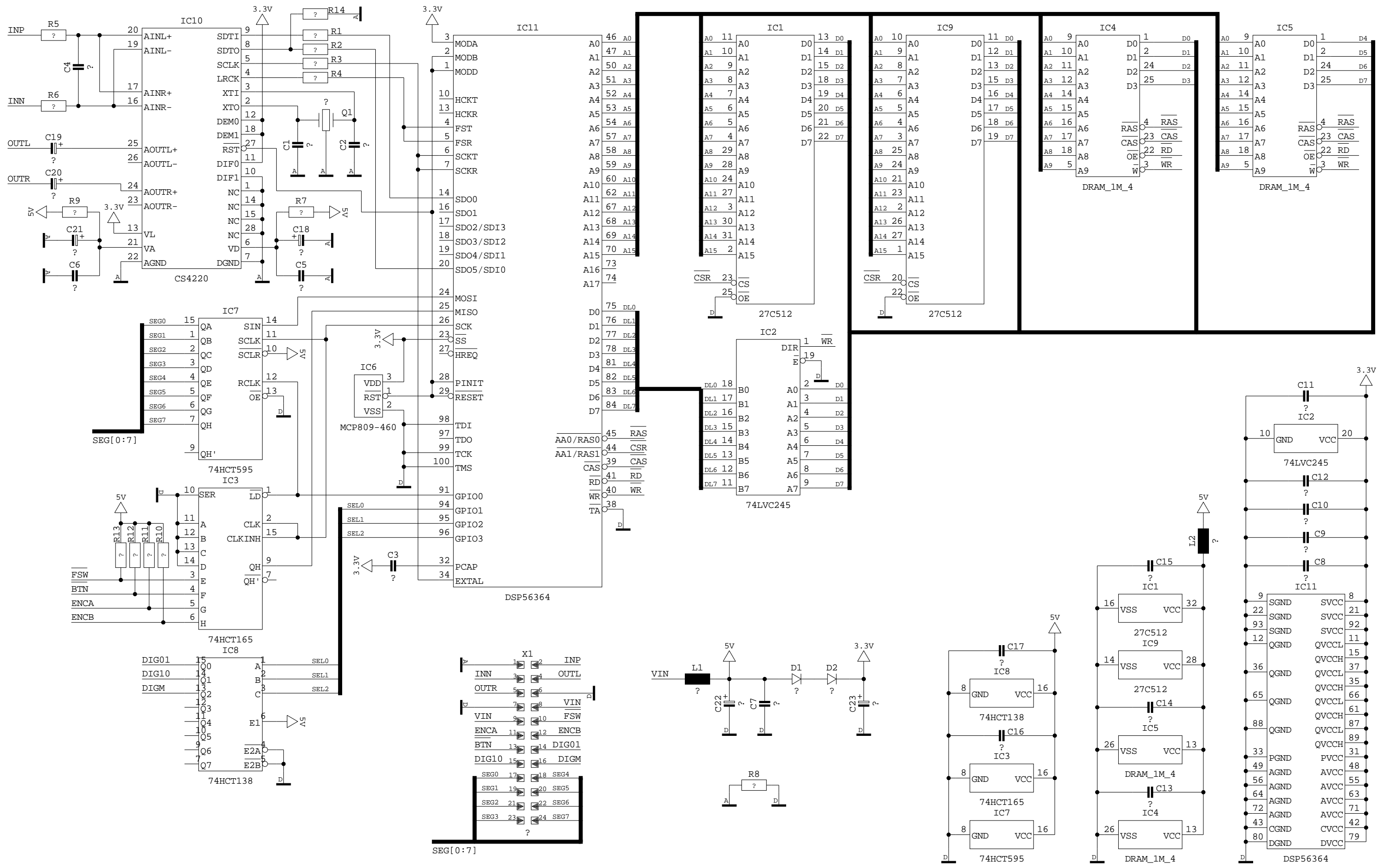
DRAWN SP

CHECKED

DATE 26.09. 2
16:41



PROJECT
DPM5
FX MODULE
DSP & CONTROLLER
SHEET 1 OF 1 SHEETS TOTAL



REVISIONS
A (March, 02. 2004)

DRAWN TZ CHECKED DATE
3-3-2004_16:49

BEHRINGER
Specialized Studio Equipment

PROJECT
DPM5M
SHEET 1 OF 1 SHEETS TOTAL