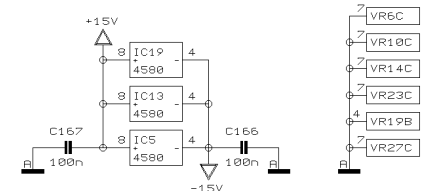
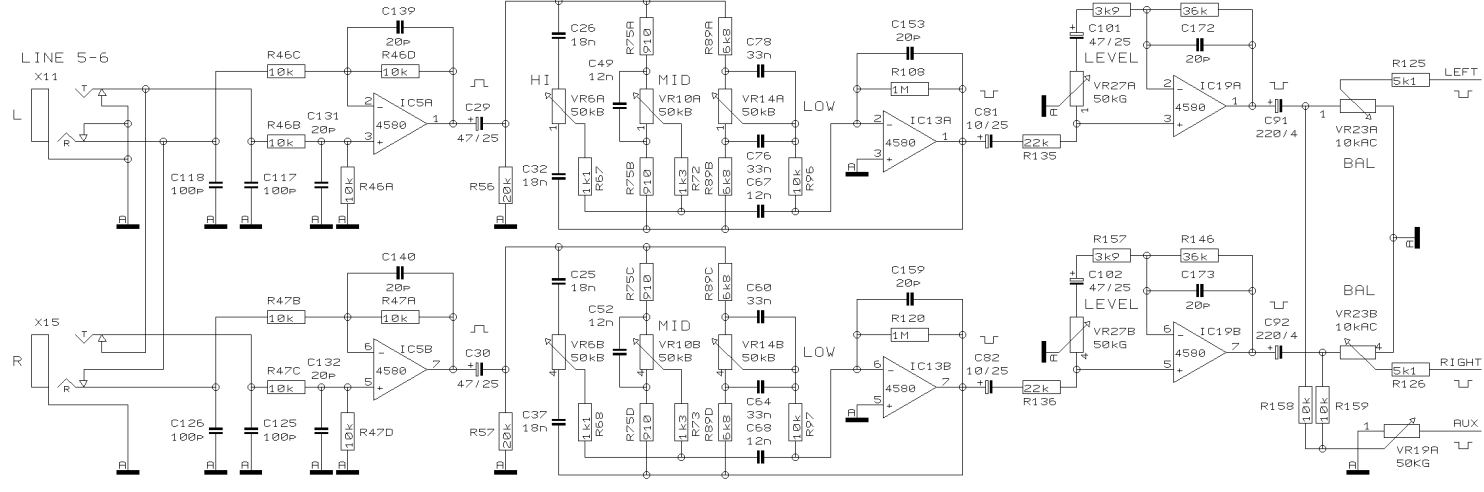
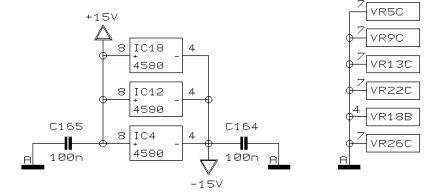
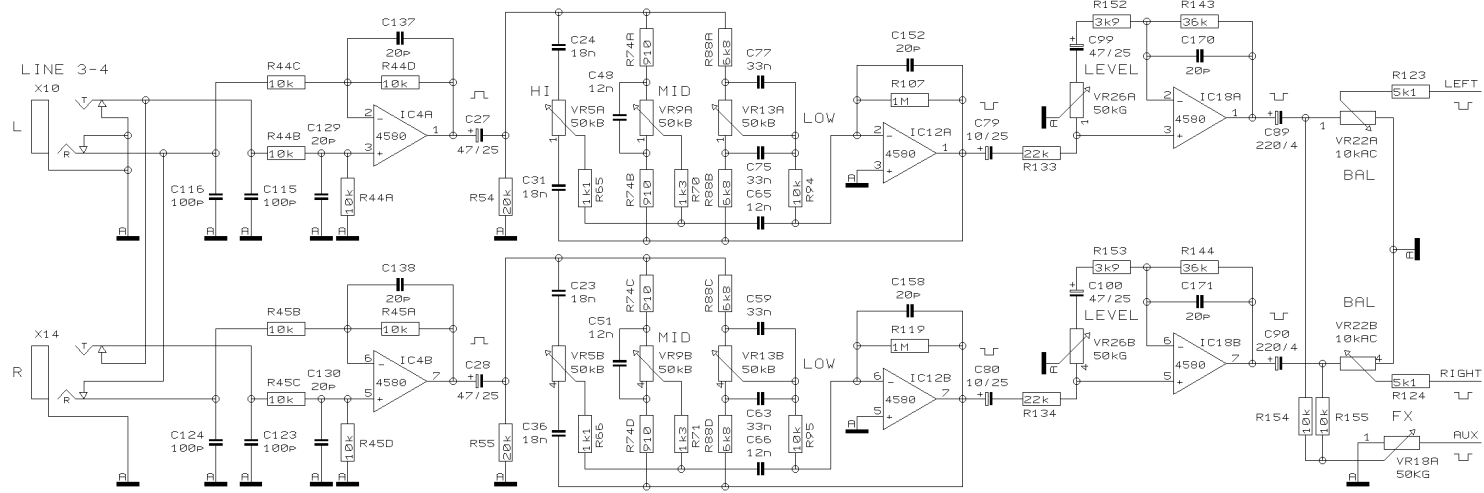


REVISIONS D (03/07/02)

DRAWN BHK CHECKED DATE 26.09.2 9:13



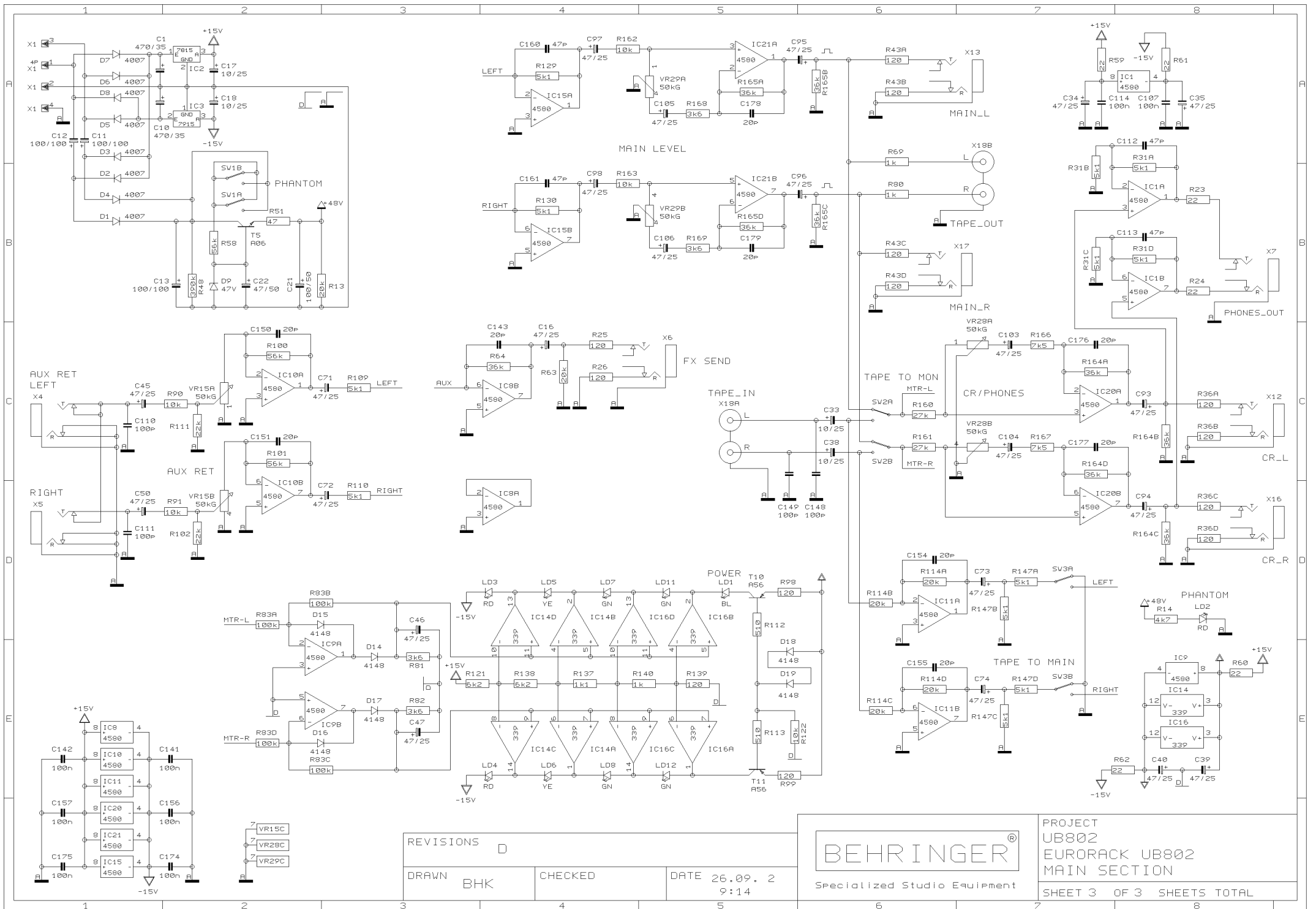
PROJECT UB802
 EURORACK UB802
 INPUT CH. 1/2
 SHEET 1 OF 3 SHEETS TOTAL



REVISIONS	D		
DRAWN	BHK	CHECKED	DATE 26.09. 2 9:13



PROJECT
UB802
EURORACK UB802
INPUT CH. 3-6
SHEET 2 OF 3 SHEETS TOTAL



REVISIONS D

DRAWN BHK

CHECKED

DATE 26.09. 2
9:14



PROJECT
UB802
EURORACK UB802
MAIN SECTION

SHEET 3 OF 3 SHEETS TOTAL