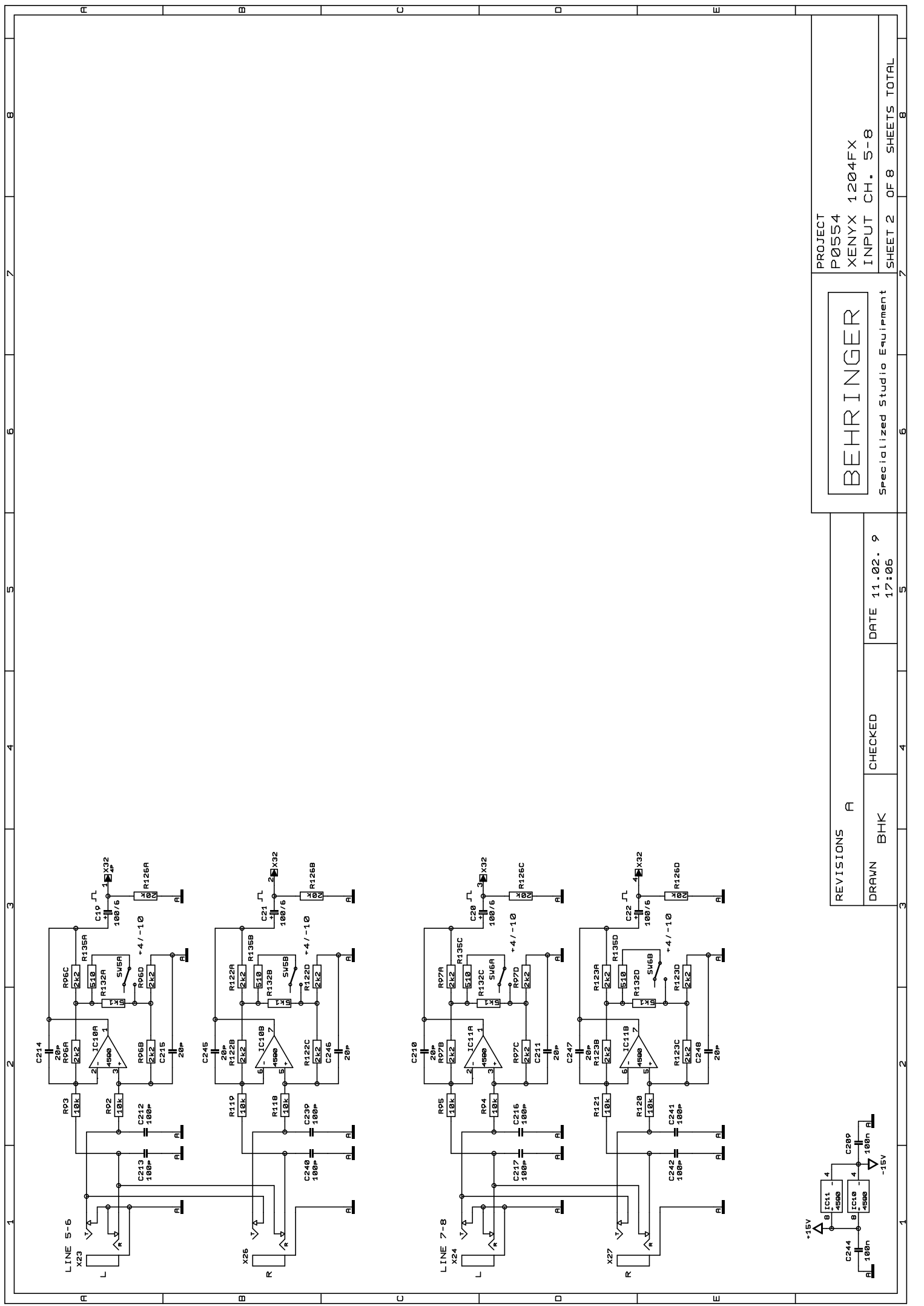


REVISIONS A (10/02/06)		DATE 11.02. 9		SHEET 1 OF 8 SHEETS TOTAL	
DRAWN BHK		CHECKED		PROJECT P0554	
				XENYX 1204FX	
				MIC INPUT CH. 1-4	

BEHRINGER

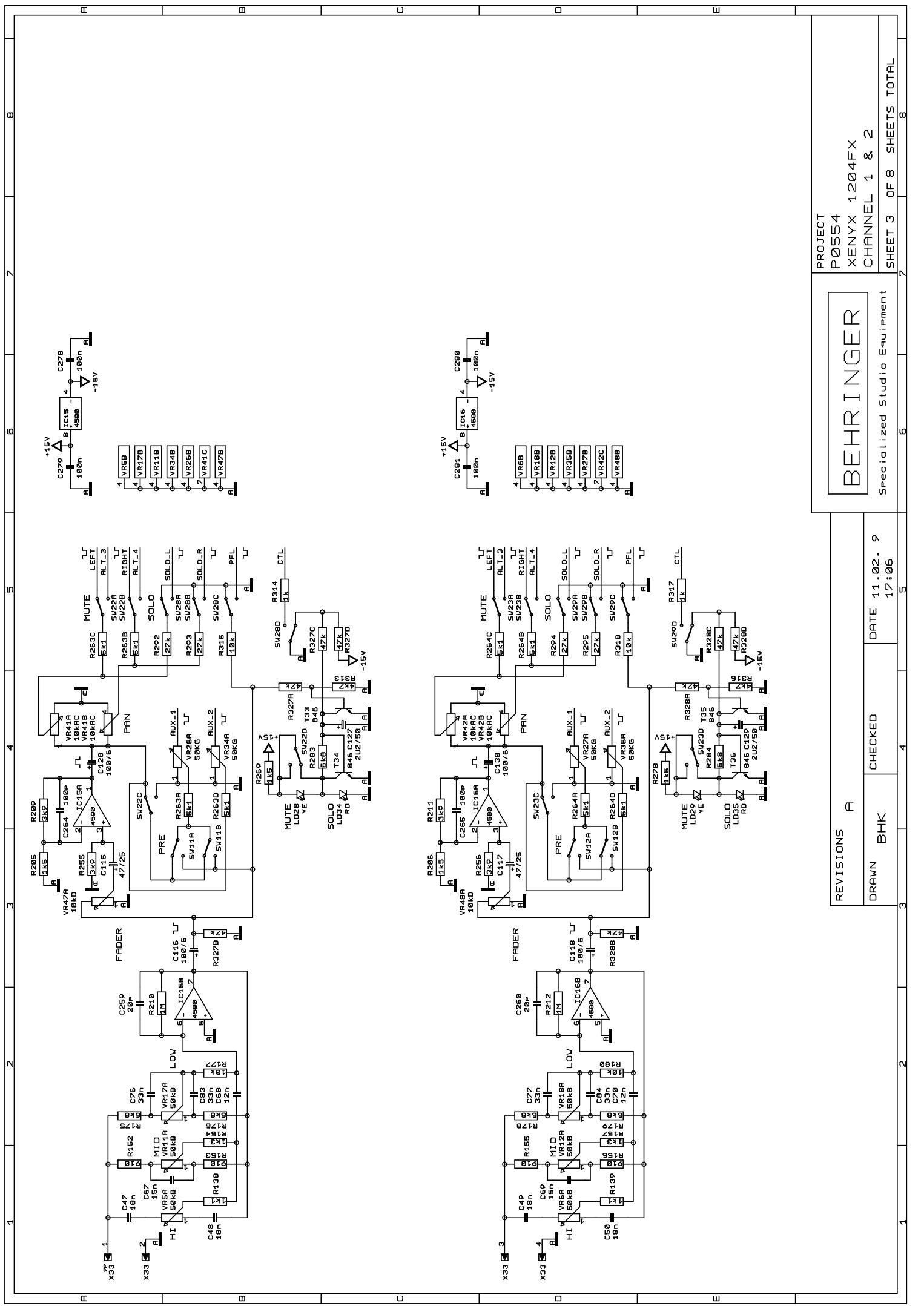
Specialized Studio Equipment



BEHRINGER
Specialized Studio Equipment

PROJECT
P0554
XENYX 1204FX
INPUT CH. 5-8
SHEET 2 OF 8 SHEETS TOTAL

REVISIONS	A	DATE	11.02. 9
DRAWN	BHK	CHECKED	17:06

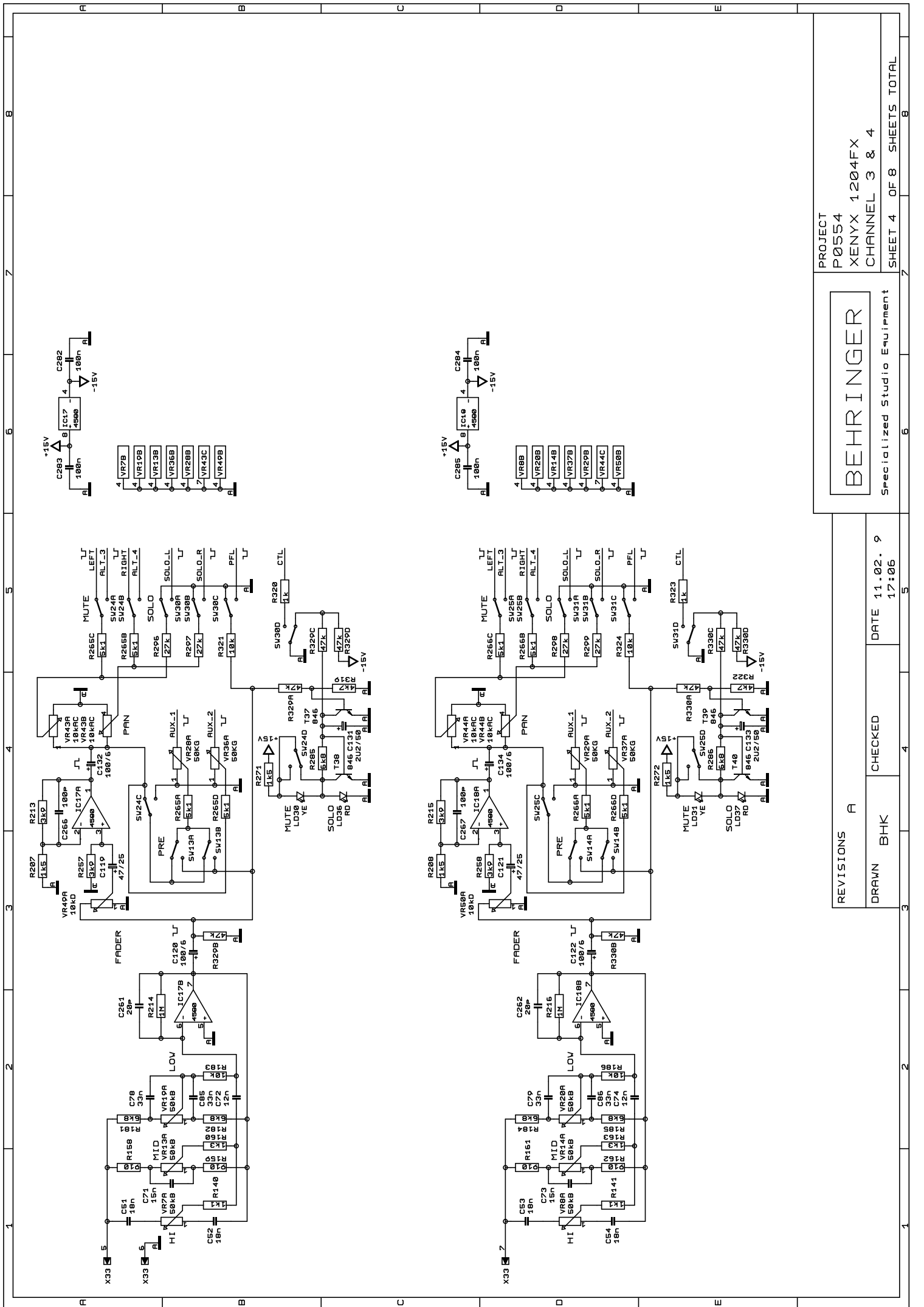


PROJECT
 P0554
 XENYX 1204FX
 CHANNEL 1 & 2

BEHRINGER
 Specialized Studio Equipment

REVISIONS A
 DRAWN BHK
 CHECKED
 DATE 11.02. 9
 17:06

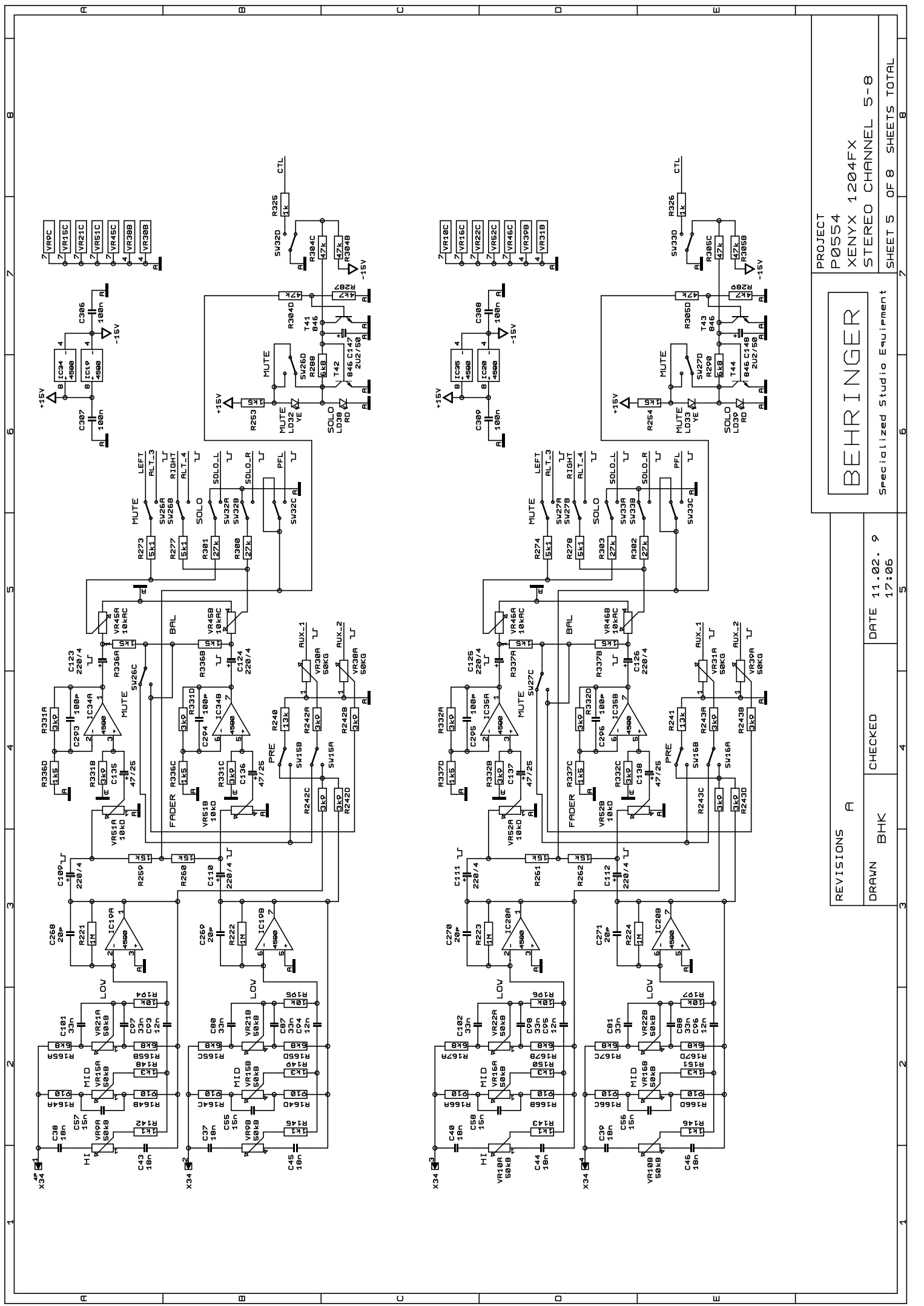
SHEET 3 OF 8 SHEETS TOTAL



PROJECT
P0554
XENYX 1204FX
CHANNEL 3 & 4

BEHRINGER
Specialized Studio Equipment

REVISIONS	A
DRAWN	BHK
CHECKED	
DATE	11.02.9
	17:06

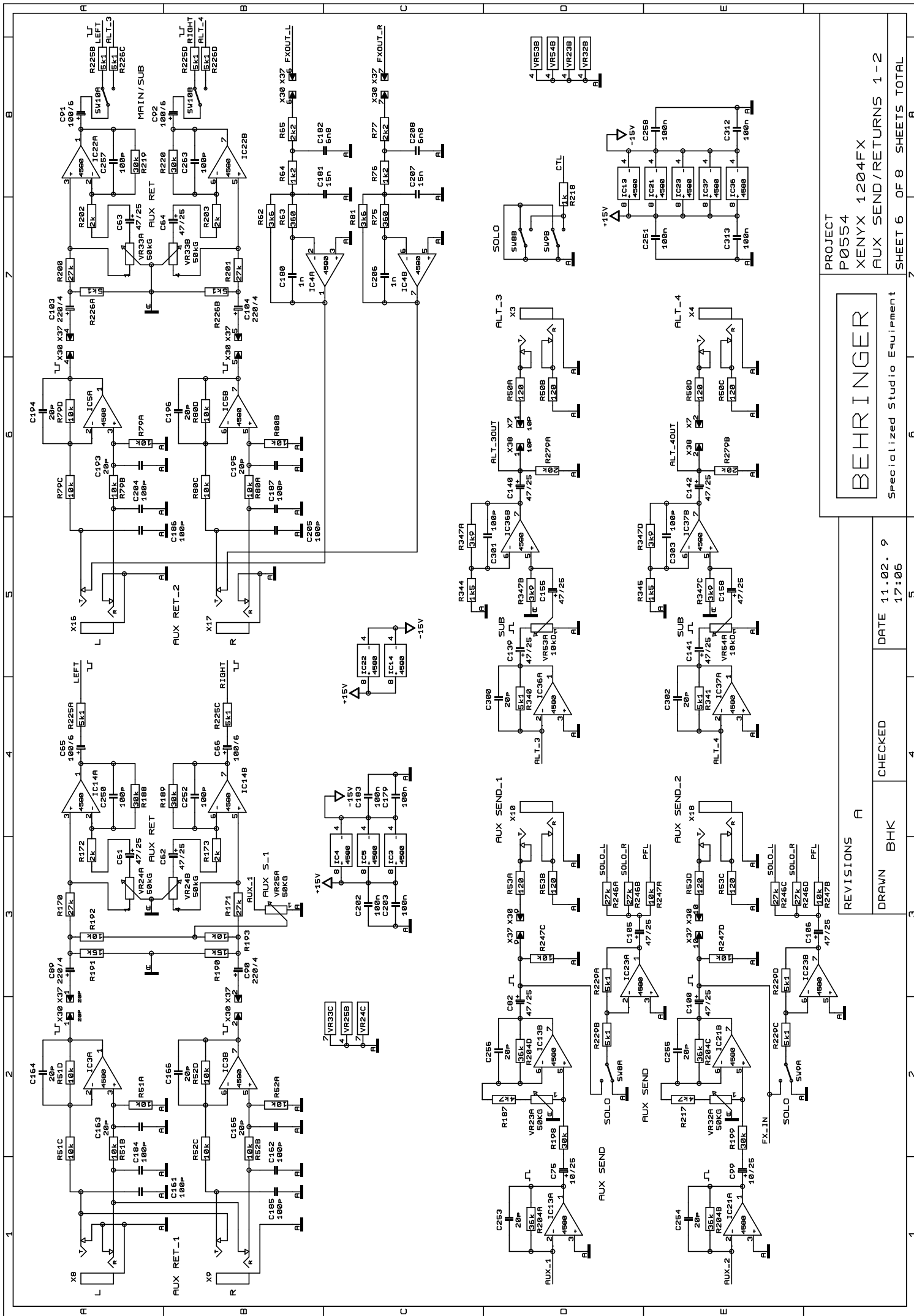


REVISIONS	A	CHECKED	DATE	11.02. 9
DRAWN	BHK			17:06

PROJECT
P0554
XENYX 1204FX
STEREO CHANNEL 5-8

BEHRINGER
Specialized Studio Equipment

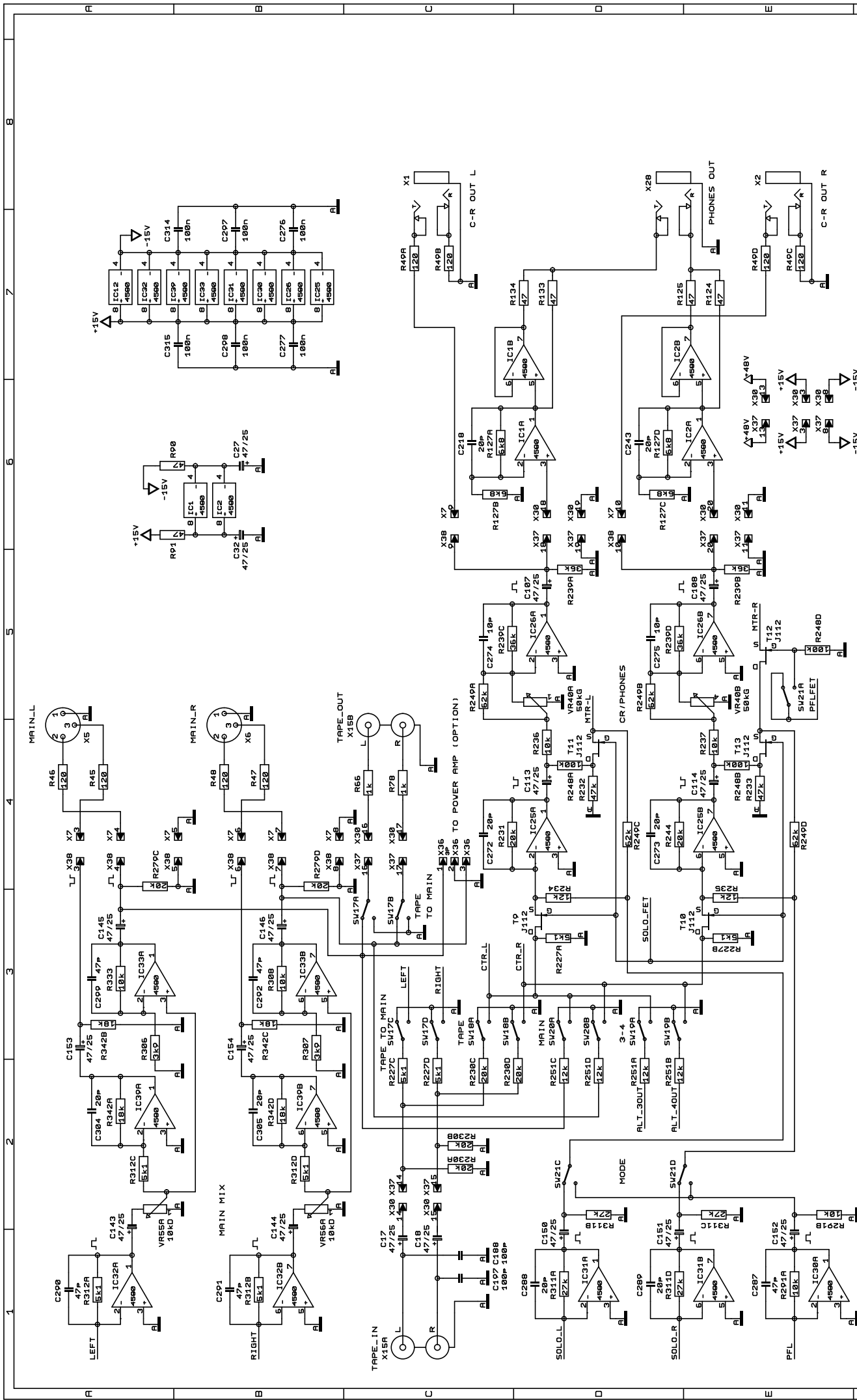
SHEET 5 OF 8 SHEETS TOTAL



BEHRINGER
 Specialized Studio Equipment

REVISIONS A
 DRAWN BHK
 CHECKED
 DATE 11.02.9
 17:06

PROJECT
 P0554
 XENYX 1204FX
 AUX SEND/RETURNS 1-2
 SHEET 6 OF 8 SHEETS TOTAL



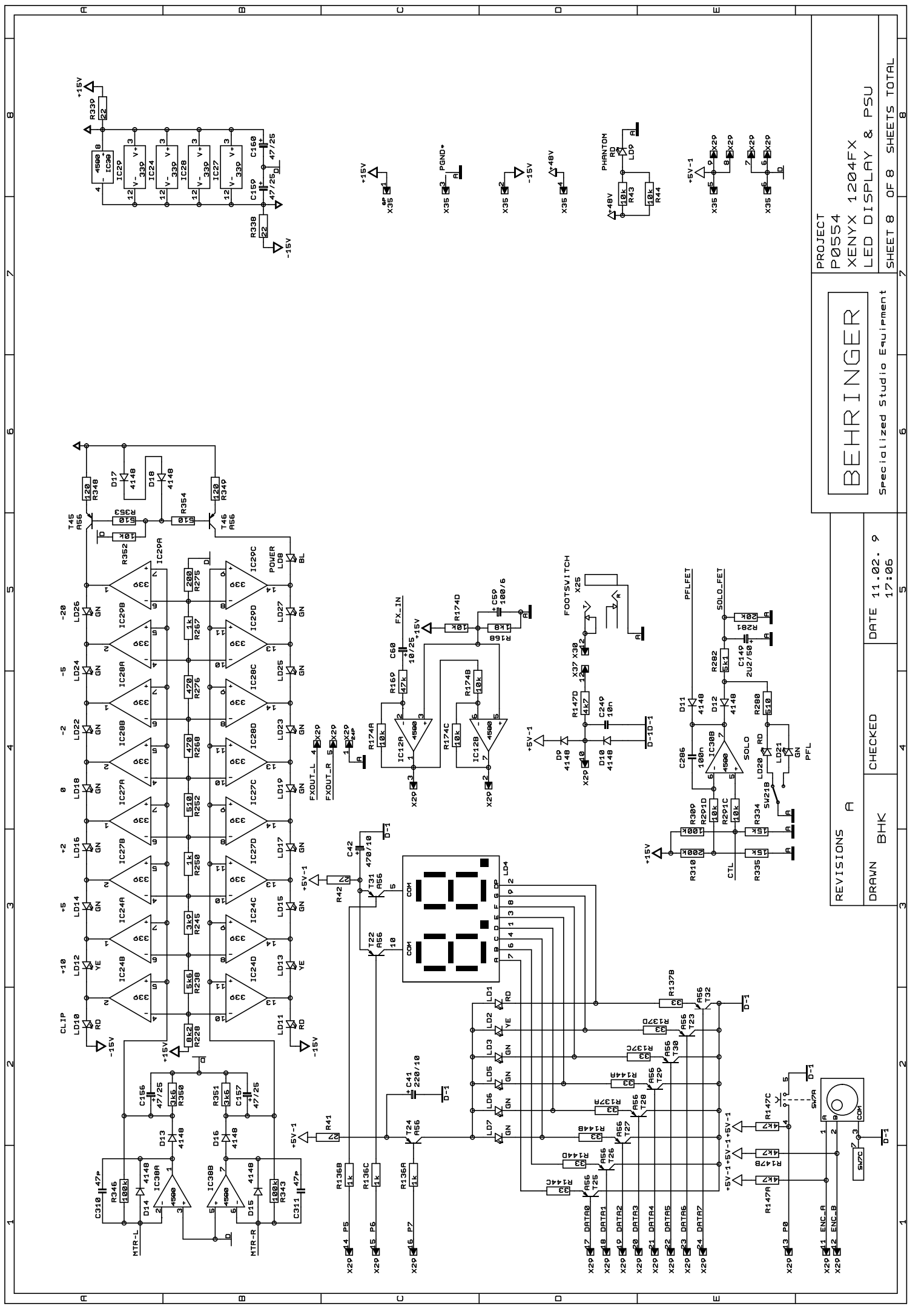
BEHRINGER
Specialized Studio Equipment

PROJECT
P0554
XENYX 1204FX
MAIN SECTION

REVISIONS A
DRAWN BHK
CHECKED

DATE 11.02.9
17:06

SHEET 7 OF 8 SHEETS TOTAL



BEHRINGER
Specialized Studio Equipment

REVISIONS A
DRAWN BHK
CHECKED
DATE 11.02.9
17:06

PROJECT P0554
XENYX 1204FX
LED DISPLAY & PSU
SHEET 8 OF 8 SHEETS TOTAL