

REVISIONS
A (13/12/05)

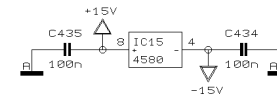
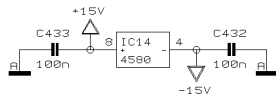
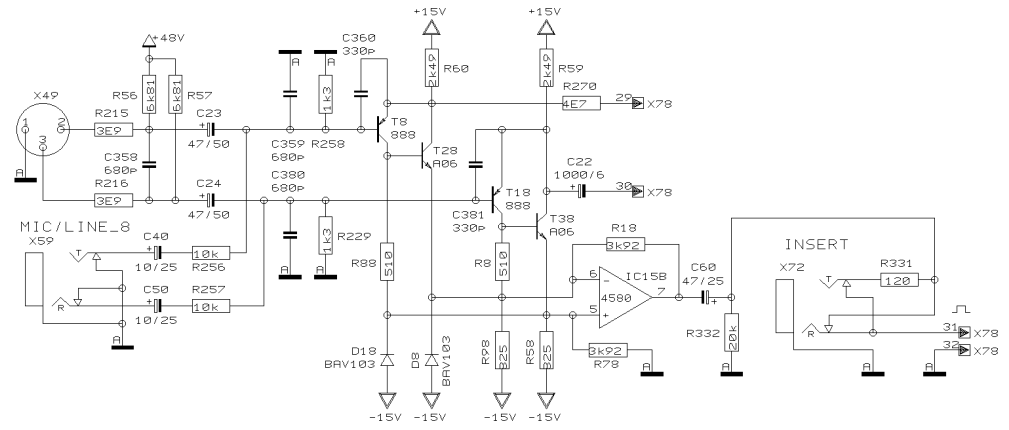
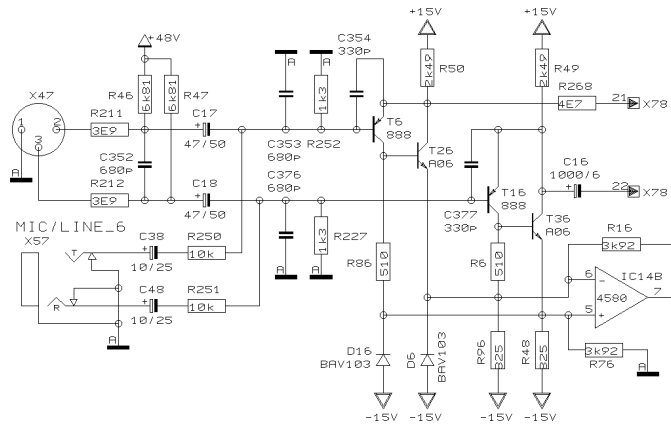
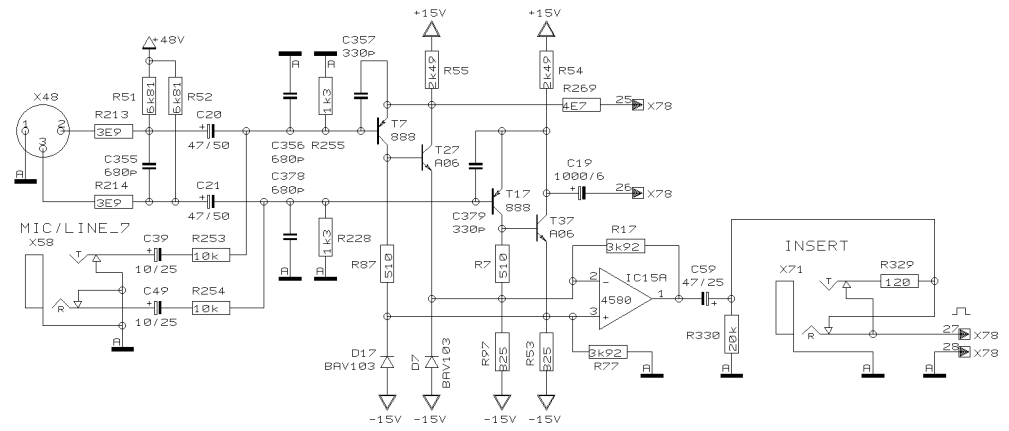
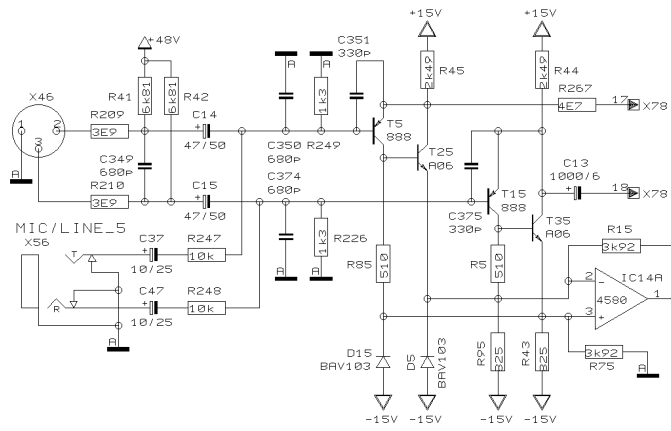
DRAWN TD

CHECKED

DATE 08.05.7
16:02



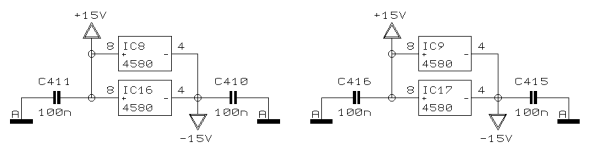
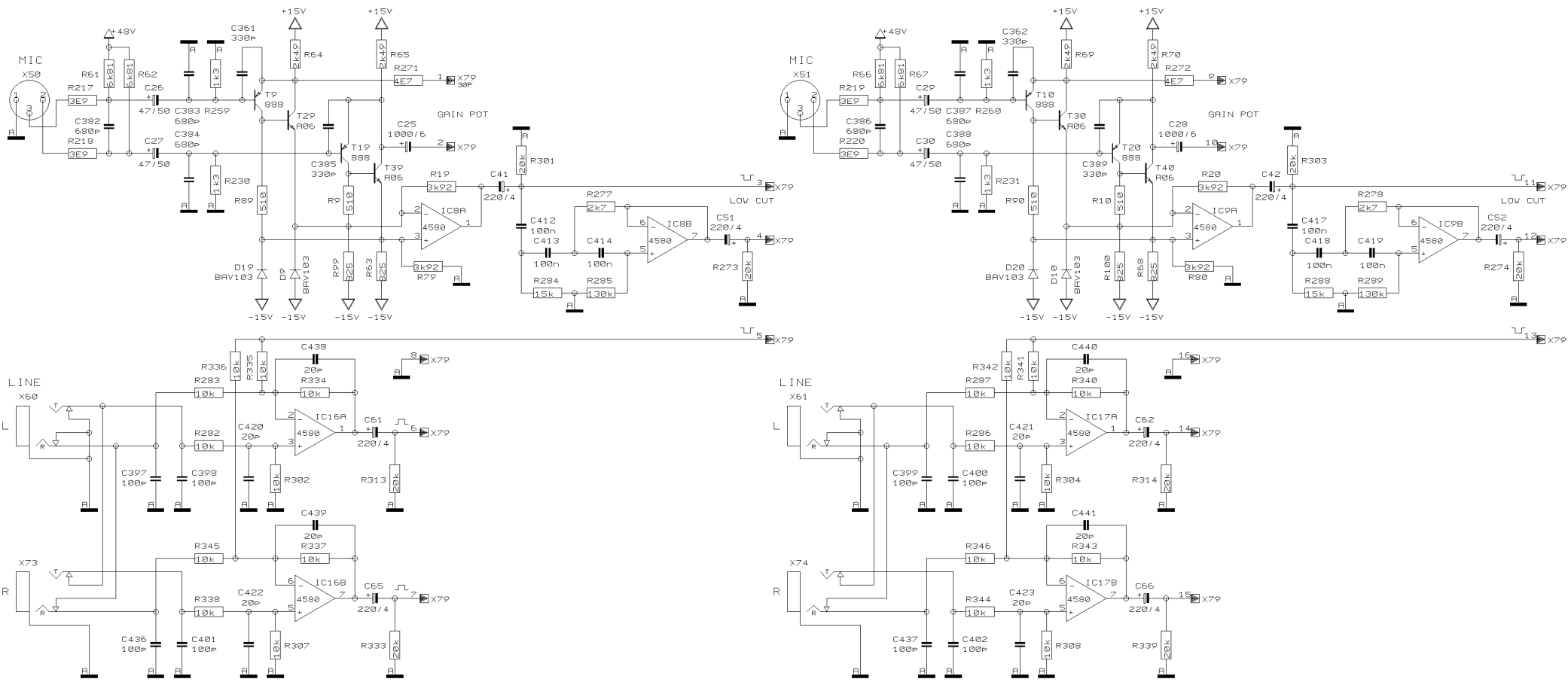
PROJECT
2442FX
XENYX 2442FX
MIC INPUT CH. 1-4
SHEET 1 OF 14 SHEETS TOTAL



| | | |
|-----------|---------|---------|
| REVISIONS | | |
| A | | |
| DRAWN | TD | CHECKED |
| DATE | 08.05.7 | 16:03 |

Specialized Studio Equipment

| | |
|---------|--------------------|
| PROJECT | 2442FX |
| | XENYX 2442FX |
| | MIC INPUT CH. 5-8 |
| SHEET 2 | OF 14 SHEETS TOTAL |



REVISIONS
A

DRAWN TD

CHECKED

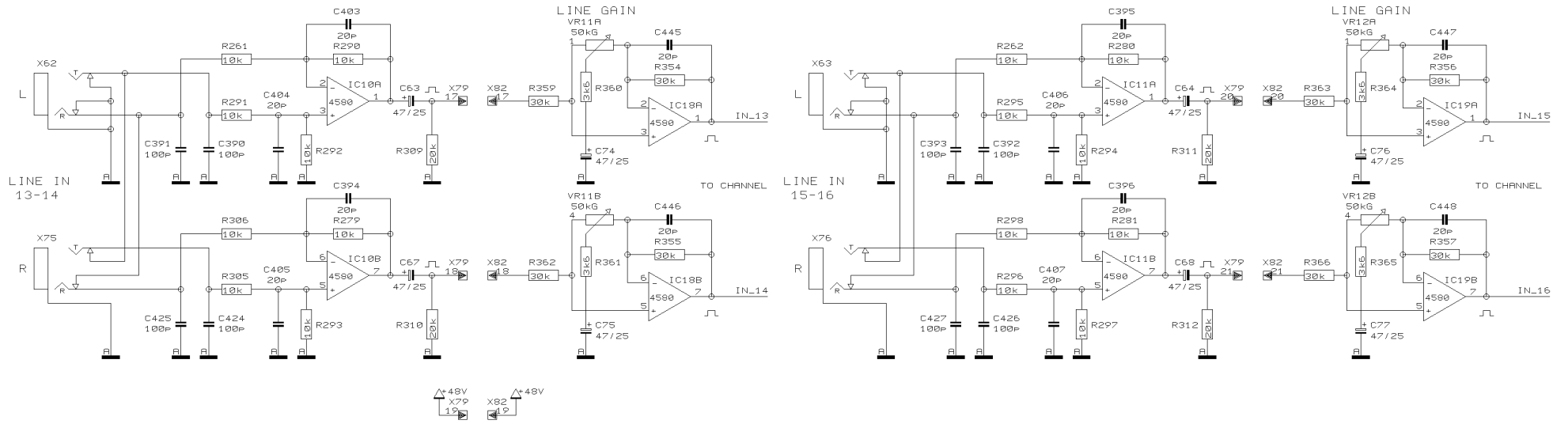
DATE 08.05.7
16:03



Specialized Studio Equipment

PROJECT
2442FX
XENYX 2442FX
INPUT CH. 9-12

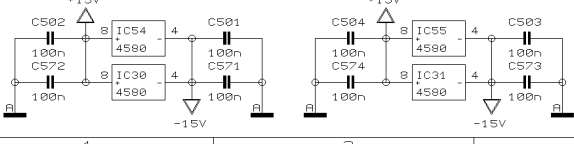
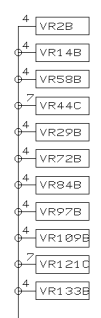
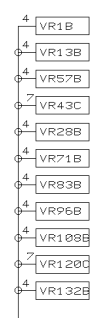
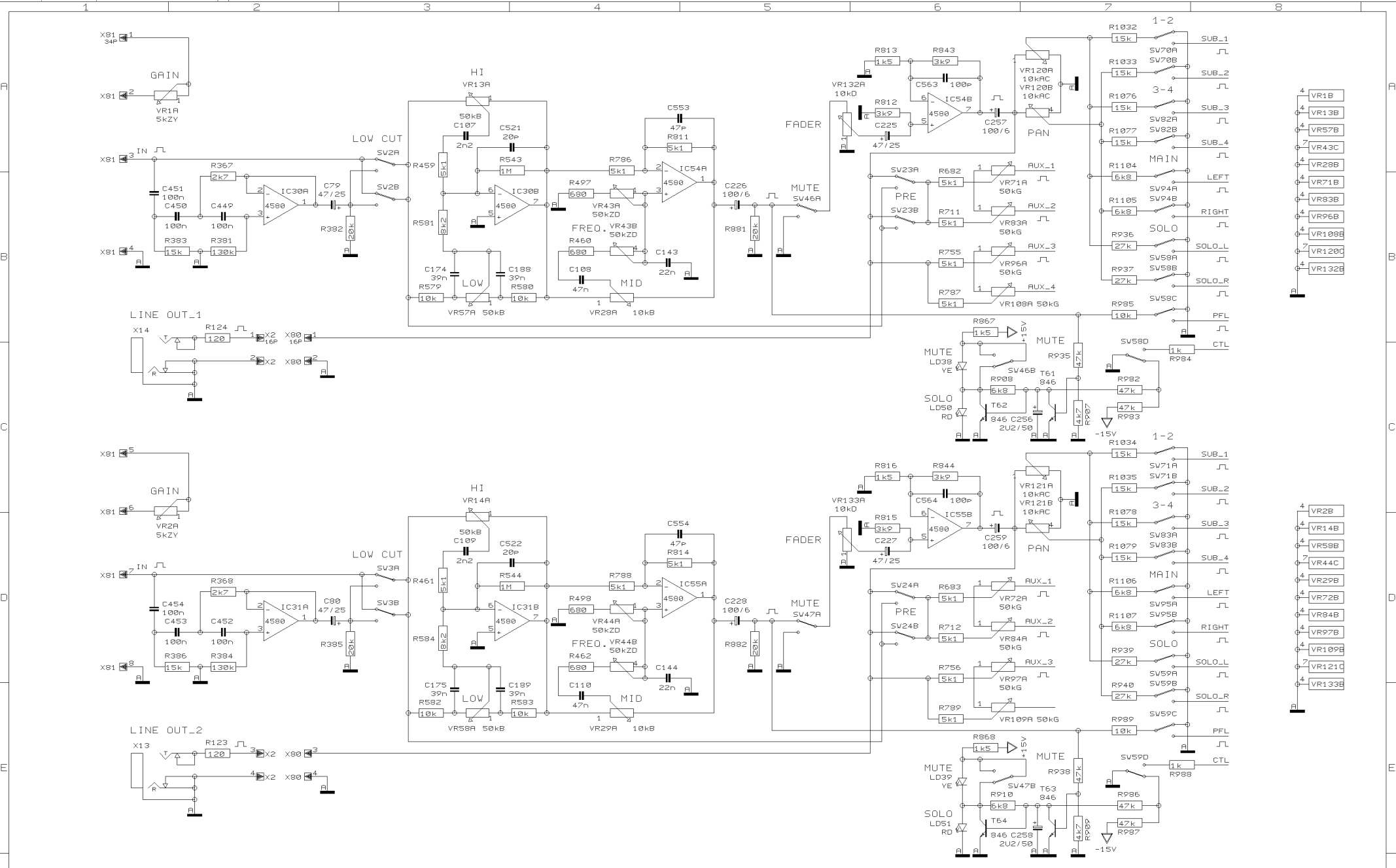
SHEET 3 OF 14 SHEETS TOTAL



| | | | |
|-----------|----|---------|--|
| REVISIONS | | A | |
| DRAWN | TD | CHECKED | |
| DATE | | 08.05.7 | |
| | | 16:03 | |



PROJECT
2442FX
XENYX 2442FX
INPUT CH. 13-16
SHEET 4 OF 14 SHEETS TOTAL



REVISIONS
A

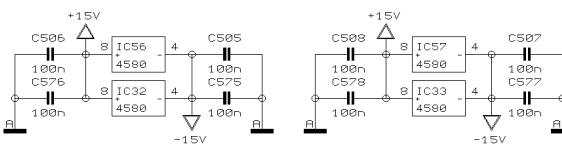
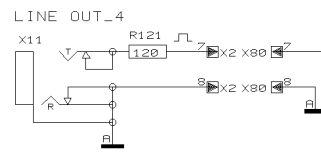
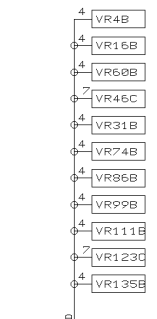
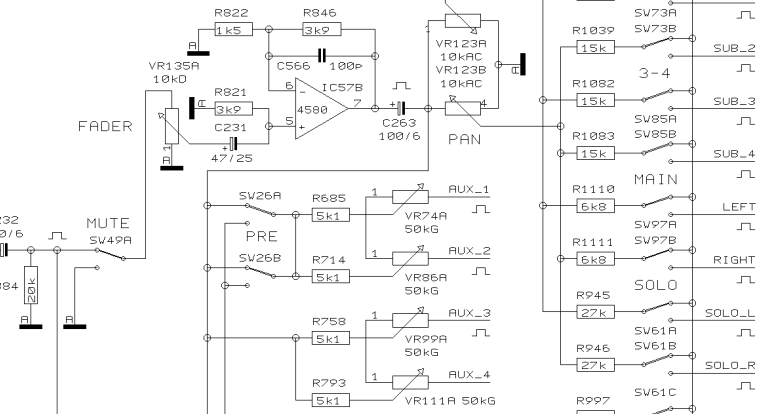
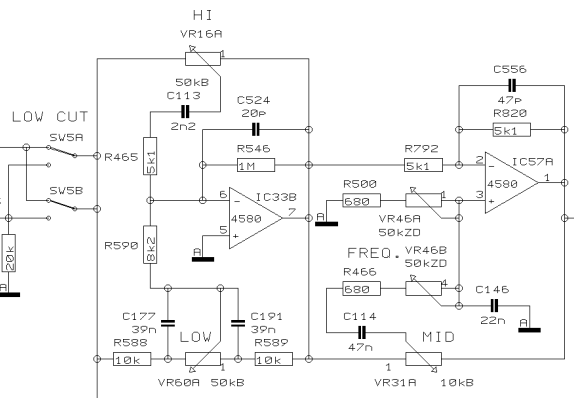
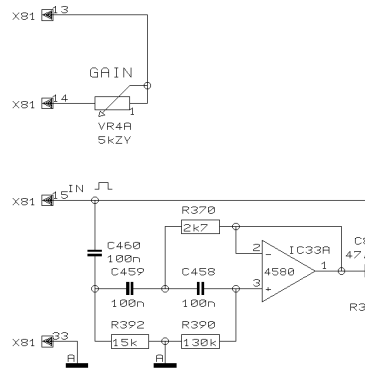
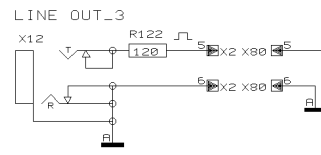
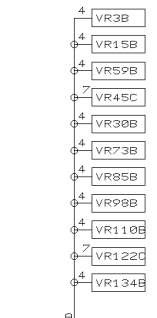
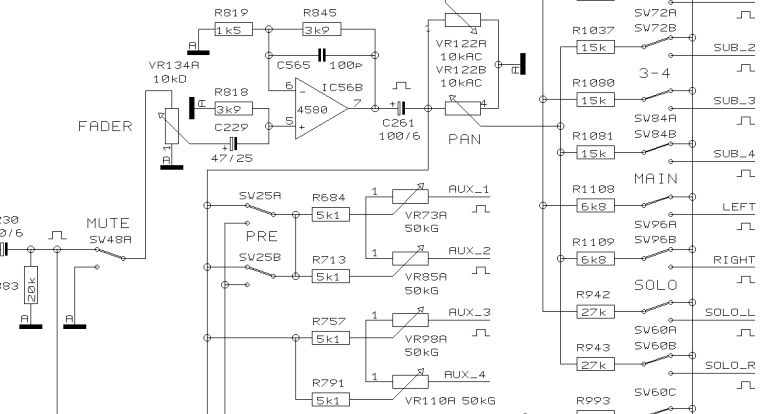
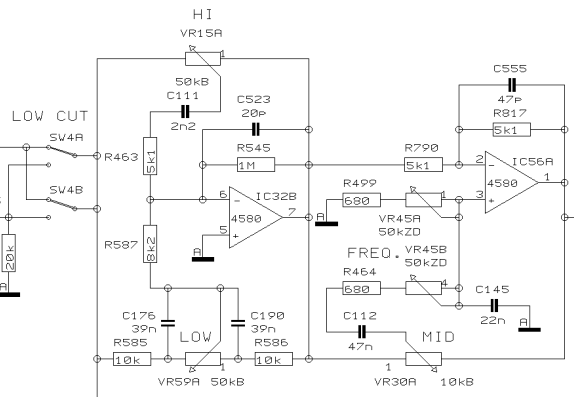
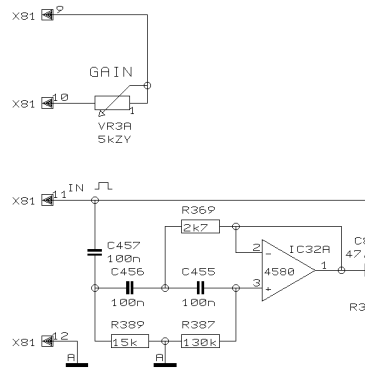
DRAWN TD

CHECKED

DATE 08.05.7
16:03



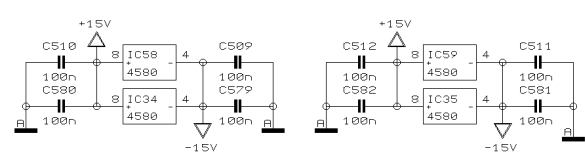
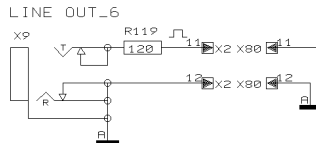
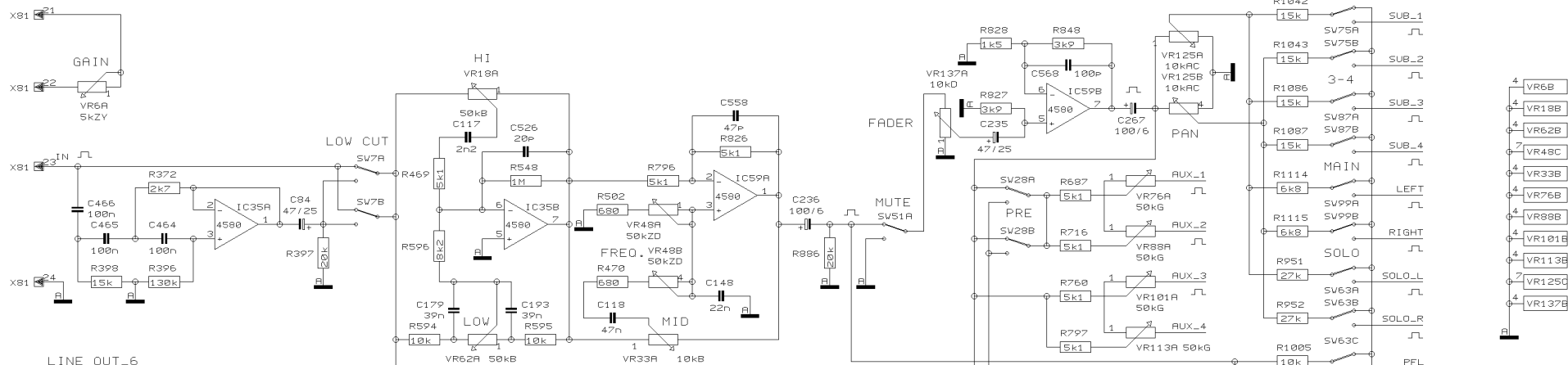
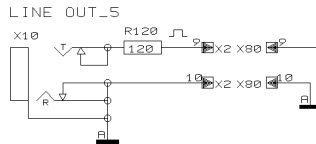
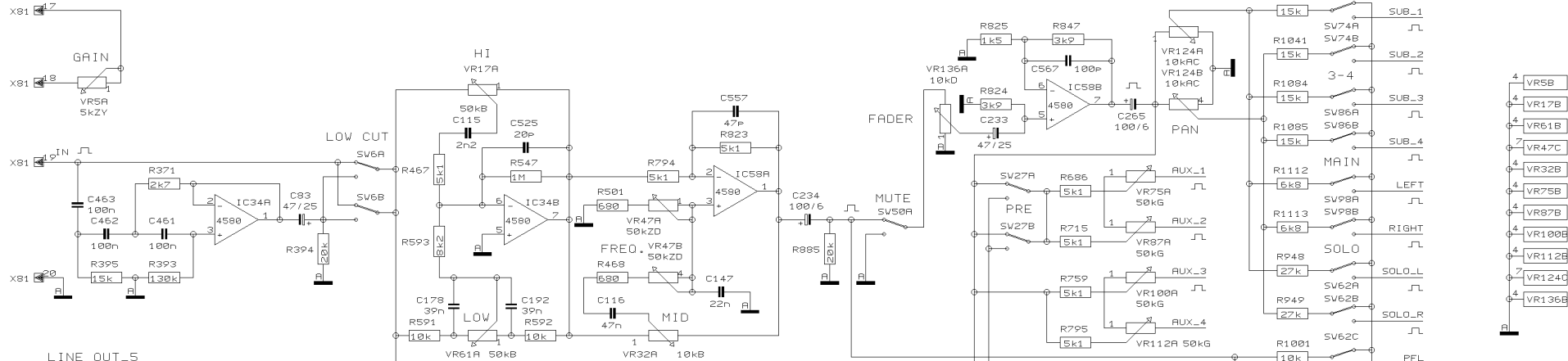
PROJECT
2442FX
XENYX 2442FX
CHANNEL 1 & 2
SHEET 5 OF 14 SHEETS TOTAL



| | | |
|-----------|----|---------|
| REVISIONS | | A |
| DRAWN | TD | CHECKED |
| DATE | | 08.05.7 |
| | | 16:03 |



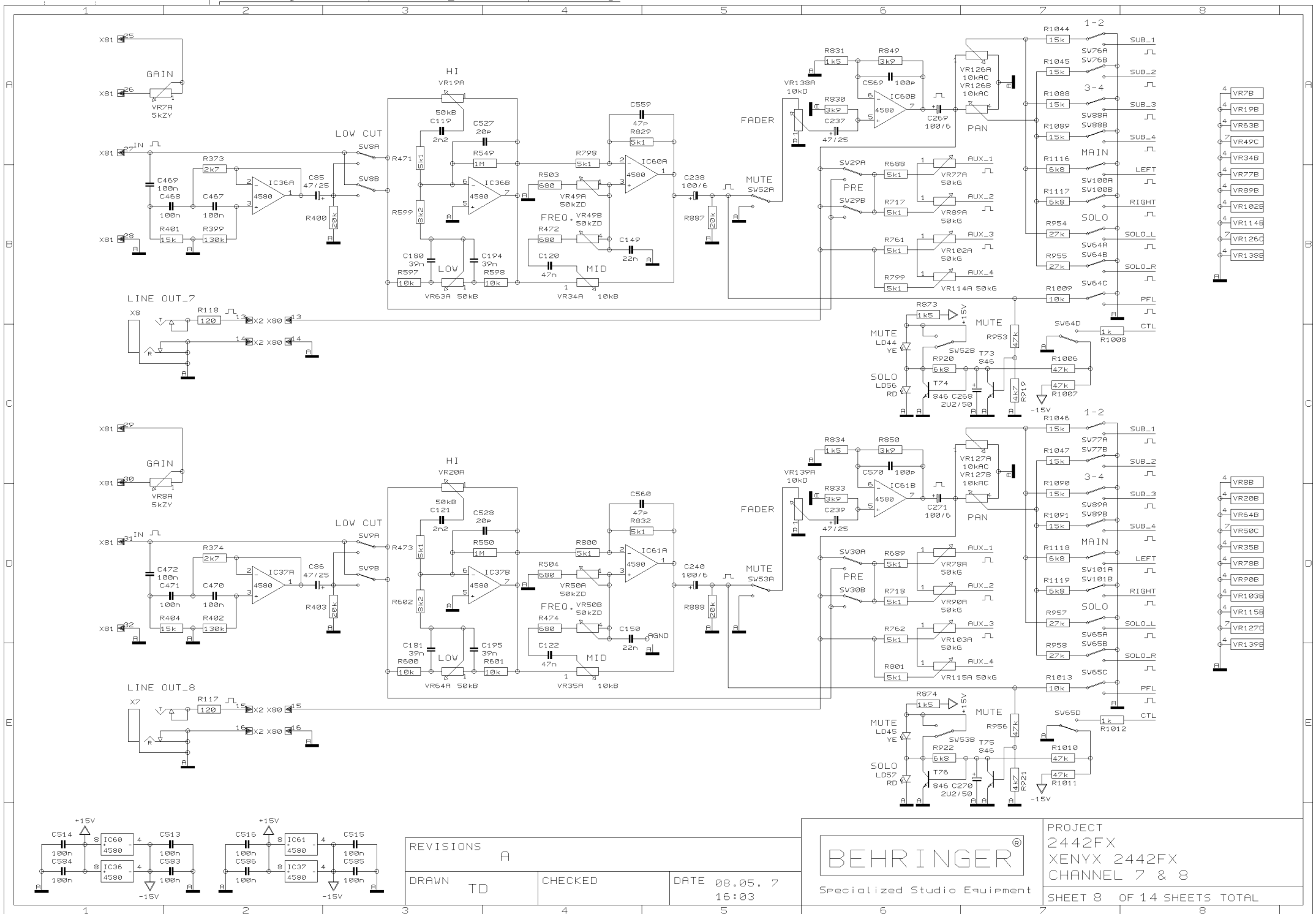
PROJECT
2442FX
XENYX 2442FX
CHANNEL 3 & 4
SHEET 6 OF 14 SHEETS TOTAL



| | | | |
|--------------|----|---------|--|
| REVISIONS | | A | |
| DRAWN | TD | CHECKED | |
| DATE 08.05.7 | | 16:03 | |



PROJECT
2442FX
XENYX 2442FX
CHANNEL 5 & 6
SHEET 7 OF 14 SHEETS TOTAL



REVISIONS
A

DRAWN TD

CHECKED

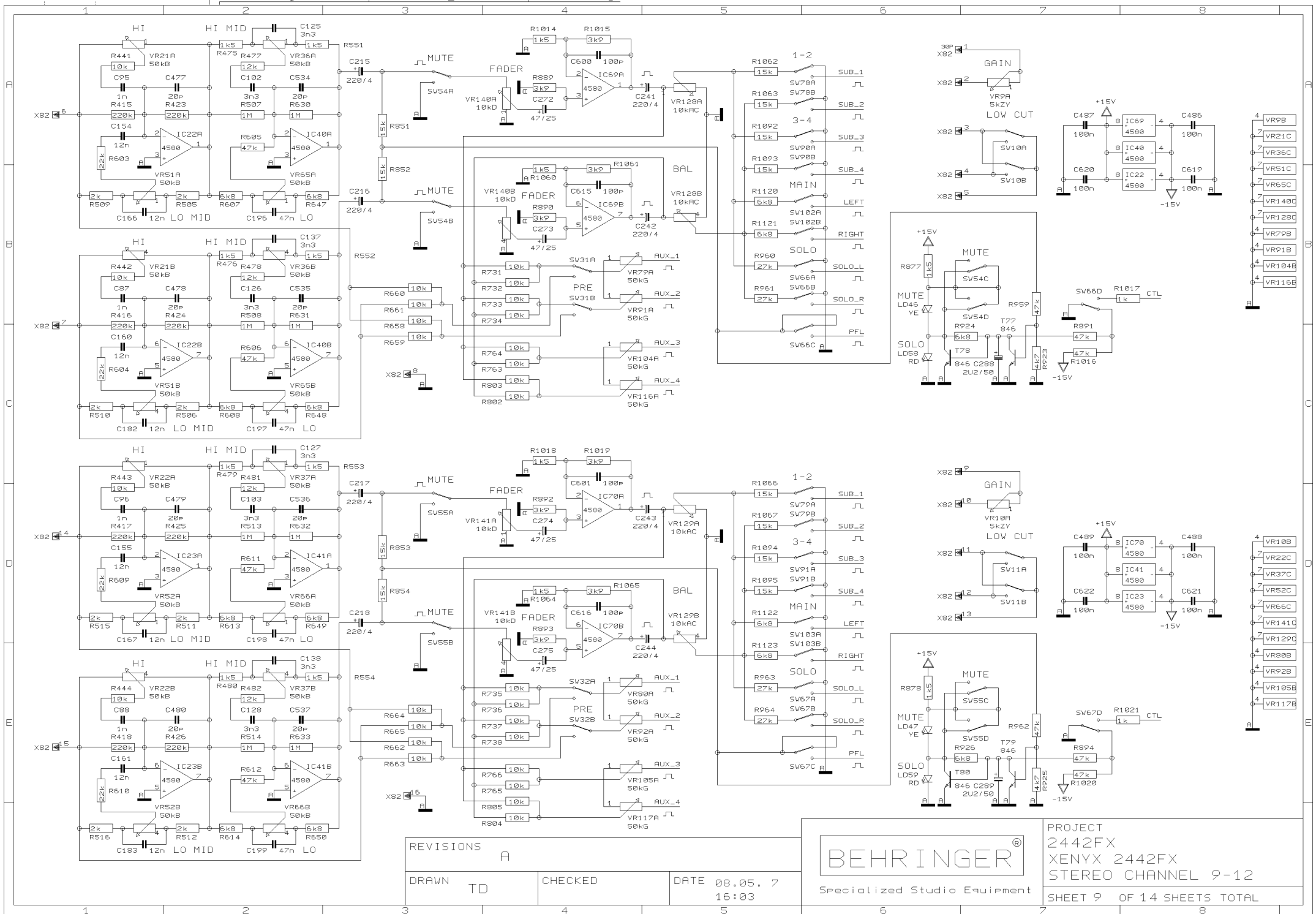
DATE 08.05.7
16:03

BEHRINGER®

Specialized Studio Equipment

PROJECT
2442FX
XENYX 2442FX
CHANNEL 7 & 8

SHEET 8 OF 14 SHEETS TOTAL



REVISIONS
A

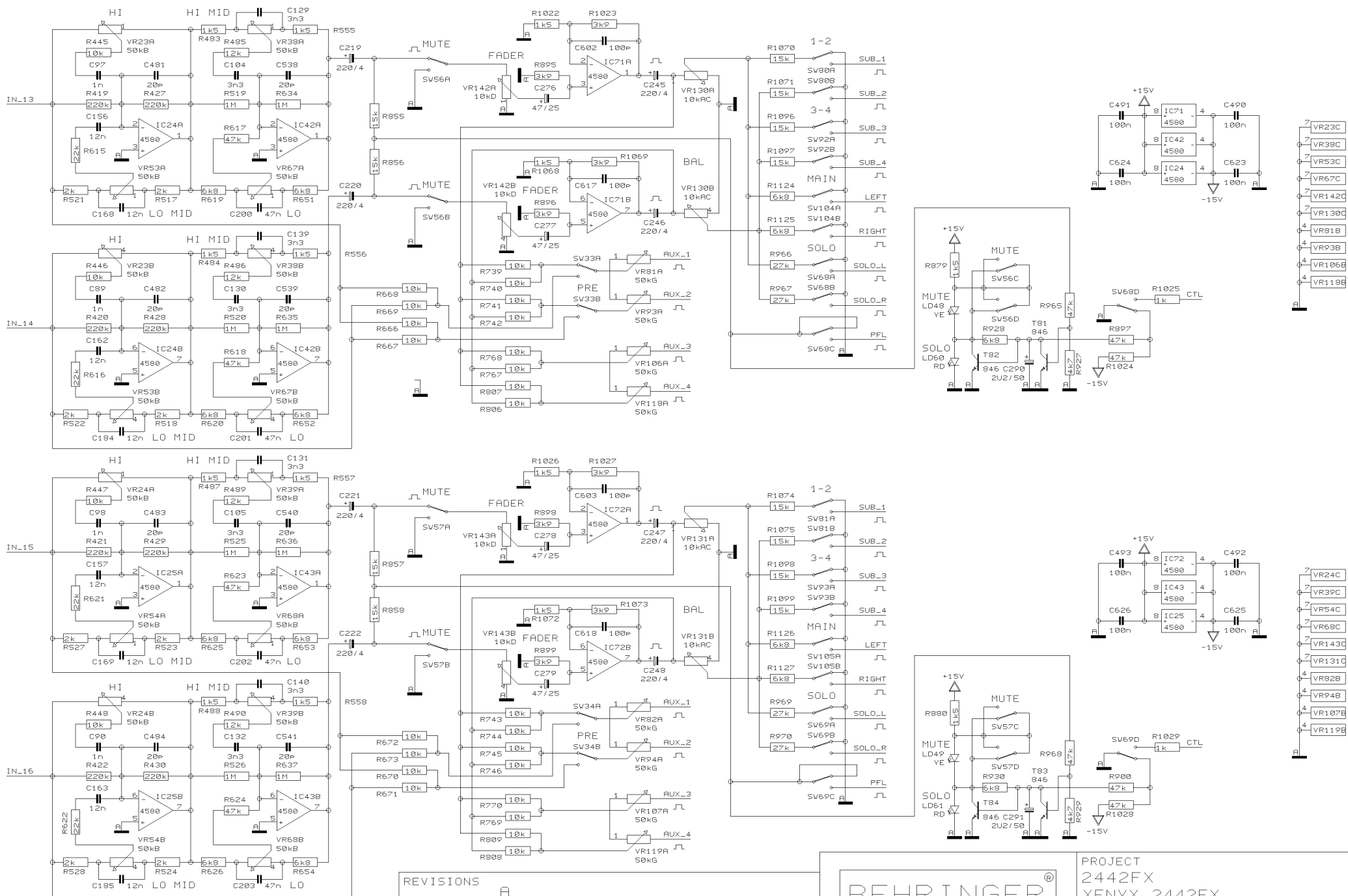
DRAWN TD

CHECKED

DATE 08.05.7
16:03



PROJECT
2442FX
XENYX 2442FX
STEREO CHANNEL 9-12
SHEET 9 OF 14 SHEETS TOTAL



REVISIONS
A

DRAWN TD

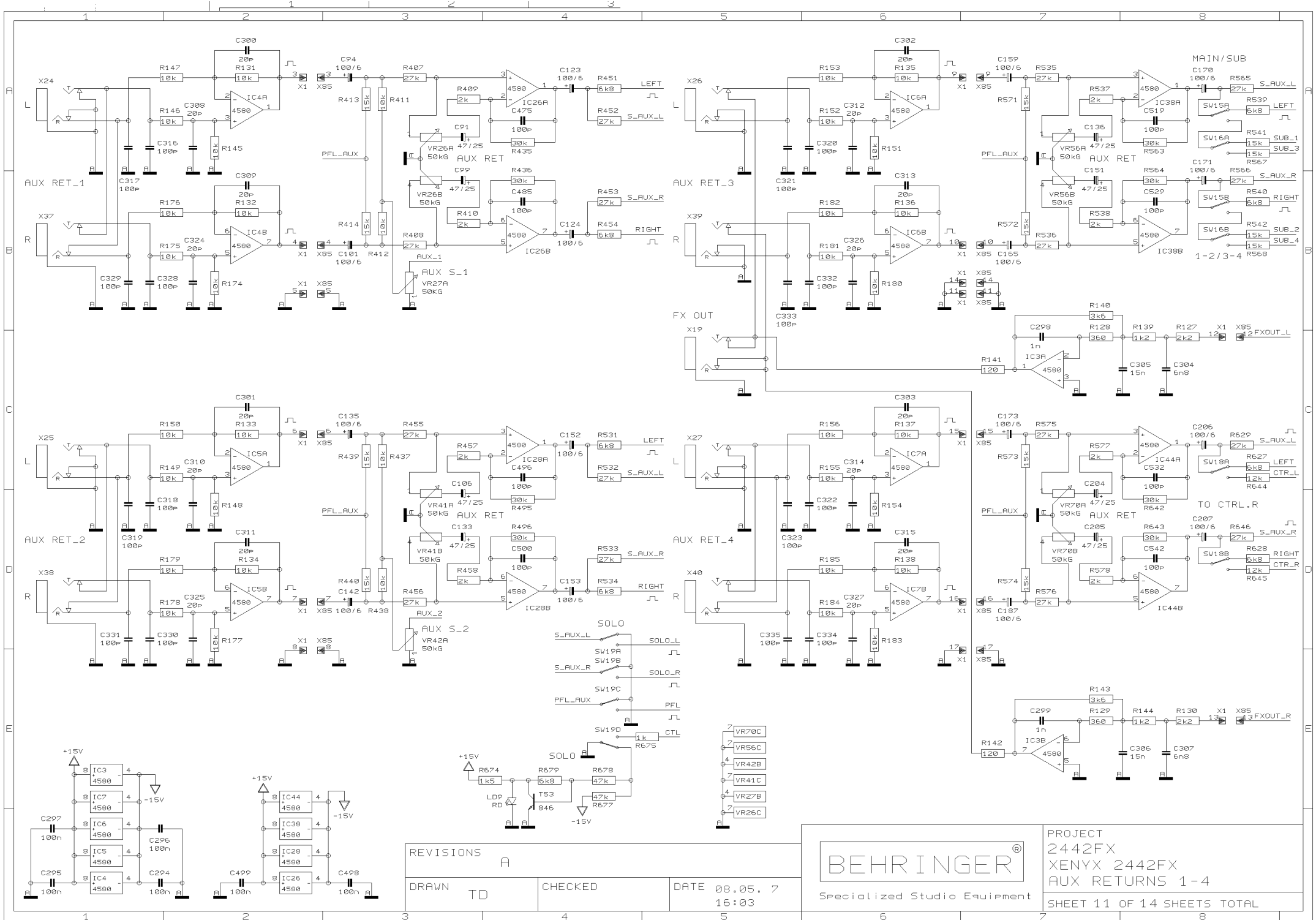
CHECKED

DATE 08.05.7
16:03



PROJECT
2442FX
XENYX 2442FX
STEREO CHANNEL 13-16

SHEET 10 OF 14 SHEETS TOTAL



REVISIONS
A

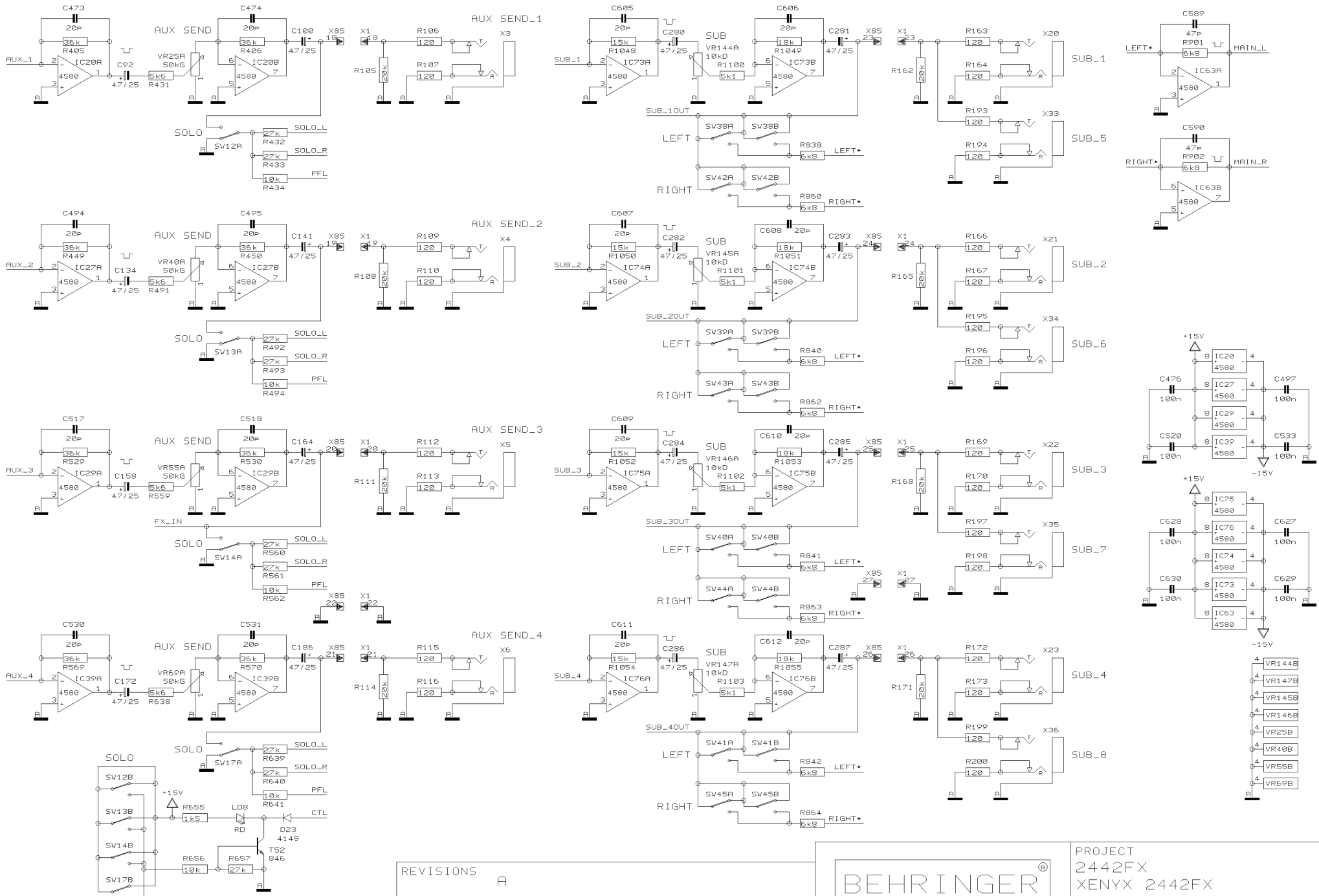
DRAWN TD

CHECKED

DATE 08.05.7
16:03



PROJECT
2442FX
XENYX 2442FX
AUX RETURNS 1-4
SHEET 11 OF 14 SHEETS TOTAL



REVISIONS
A

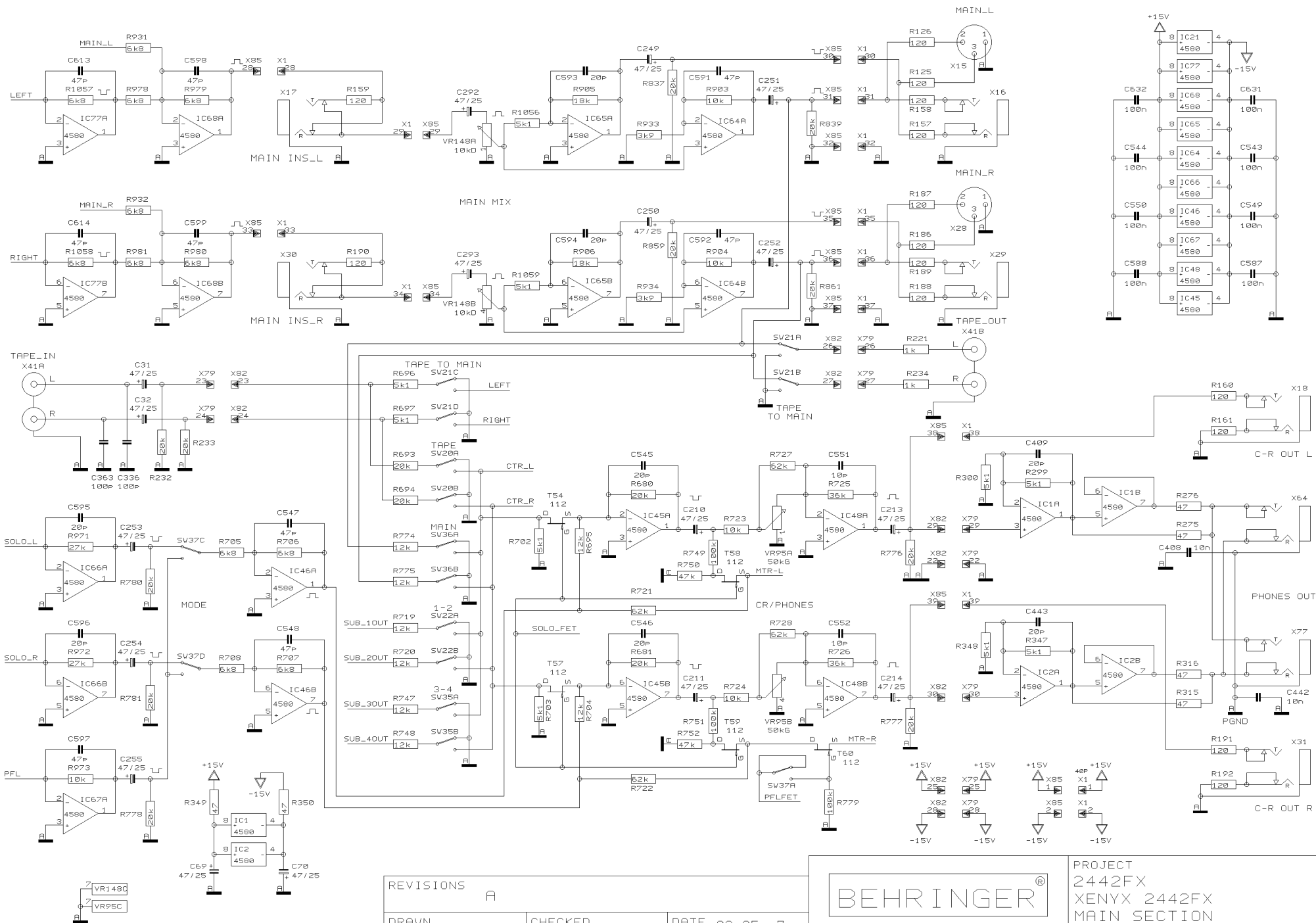
DRAWN TD

CHECKED

DATE 08.05.7
16:03



PROJECT
2442FX
XENYX 2442FX
AUX SENDS/SUB OUTS 1-4
SHEET 12 OF 14 SHEETS TOTAL



REVISIONS
A

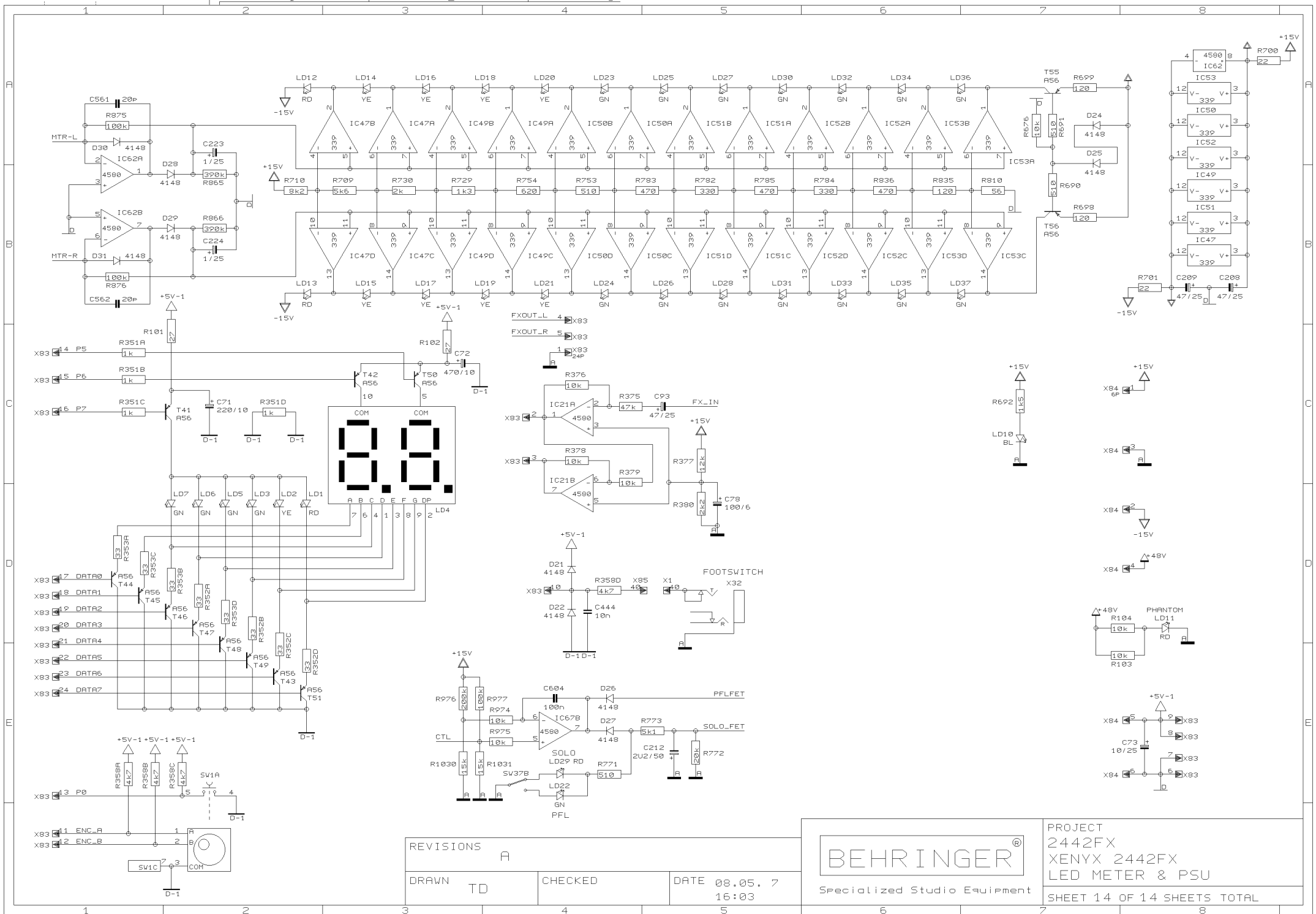
DRAWN TD

CHECKED

DATE 08.05.7
16:03

BEHRINGER®
Specialized Studio Equipment

PROJECT
2442FX
XENYX 2442FX
MAIN SECTION
SHEET 13 OF 14 SHEETS TOTAL



| | | |
|--------------|----|---------|
| REVISIONS | A | |
| DRAWN | TD | CHECKED |
| DATE 08.05.7 | | 16:03 |



PROJECT
2442FX
XENYX 2442FX
LED METER & PSU
SHEET 14 OF 14 SHEETS TOTAL