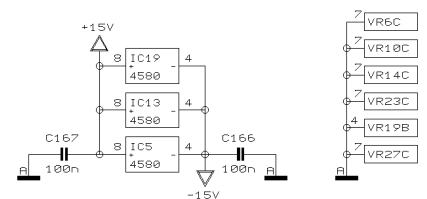
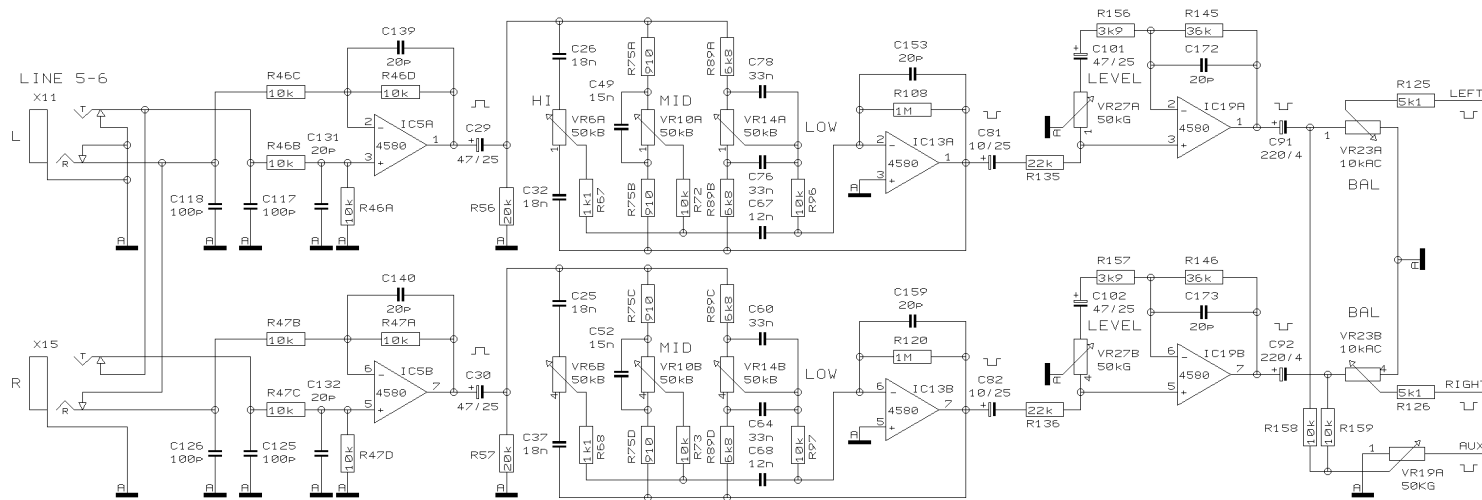
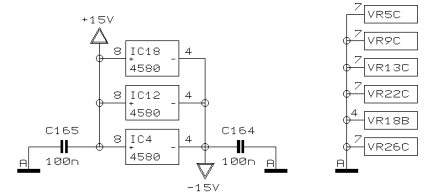
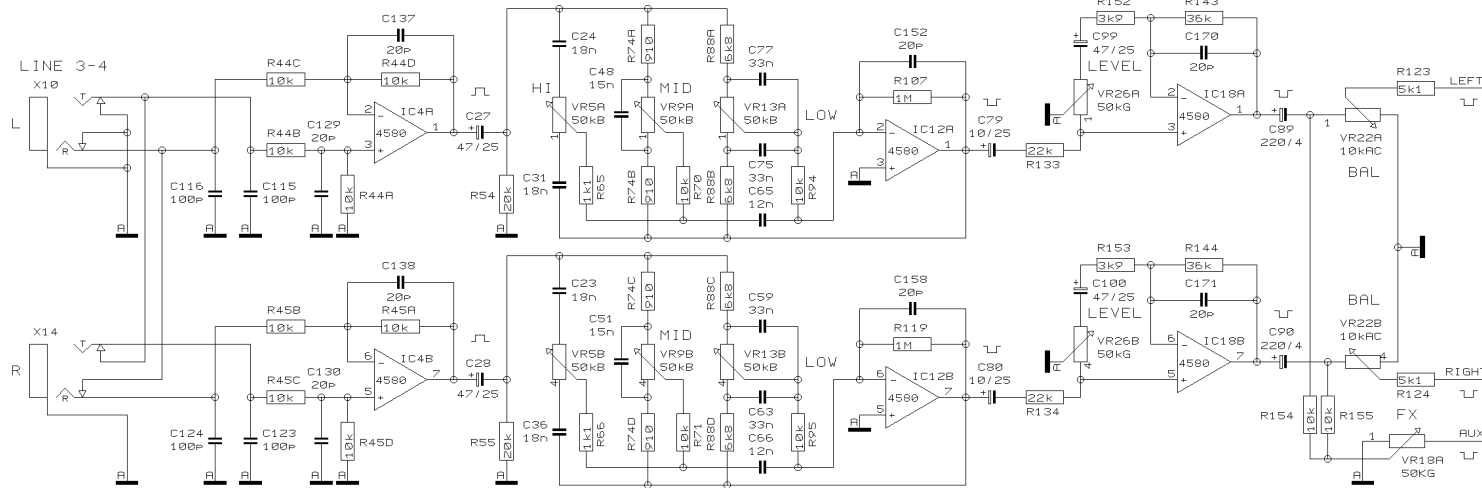


REVISIONS A (14/02/06)

DRAWN BHK CHECKED DATE 14.02. 6 16:02



PROJECT 802
 XENYX 802
 INPUT CH. 1/2
 SHEET 1 OF 3 SHEETS TOTAL



REVISIONS A

DRAWN BHK

CHECKED

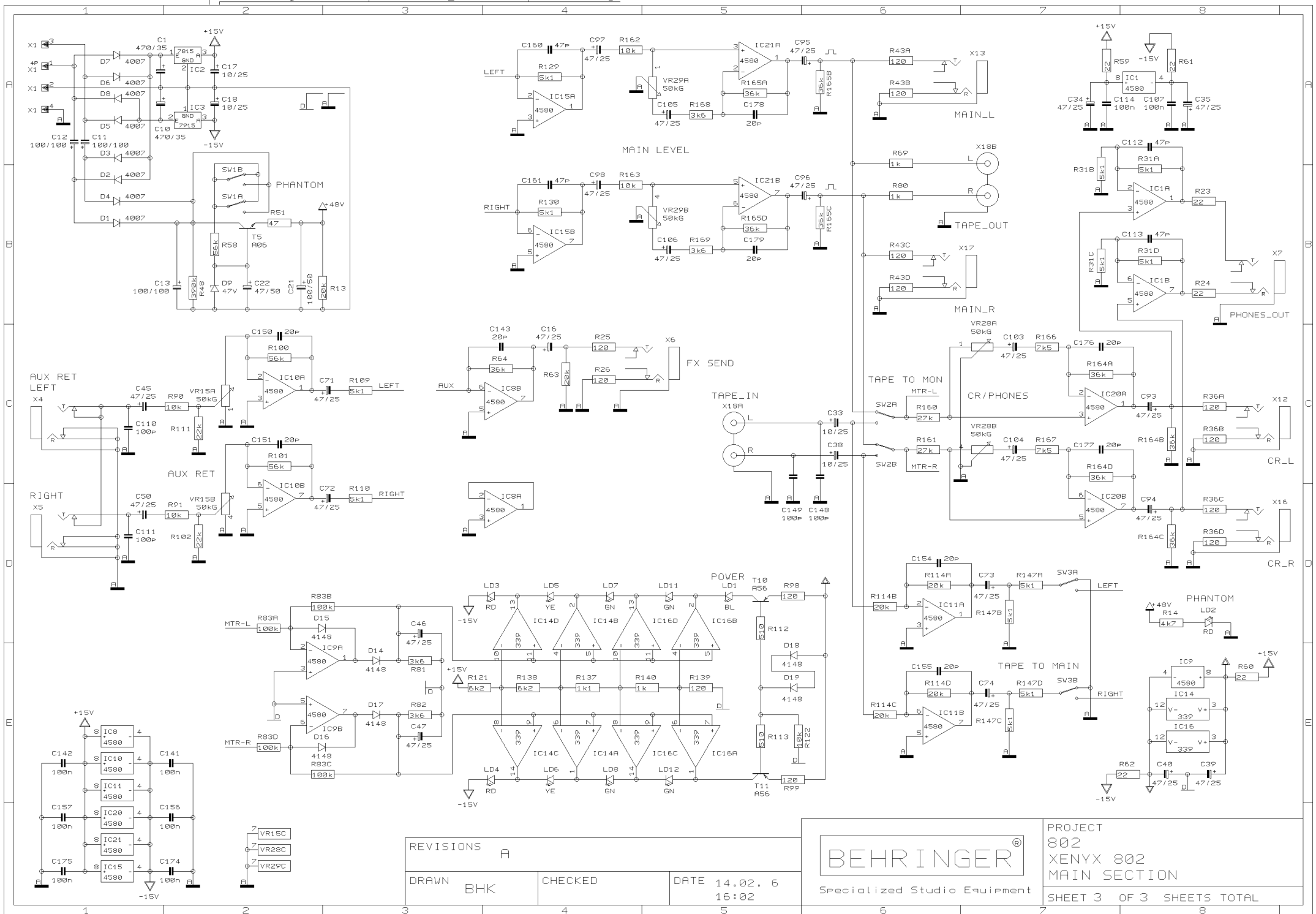
DATE 14.02. 6
16:02

BEHRINGER®

Specialized Studio Equipment

PROJECT
802
XENYX 802
INPUT CH. 3-6

SHEET 2 OF 3 SHEETS TOTAL



REVISIONS A

DRAWN BHK

CHECKED

DATE 14.02. 6
16:02



PROJECT
802
XENYX 802
MAIN SECTION
SHEET 3 OF 3 SHEETS TOTAL