

REVISIONS C

DRAWN JC

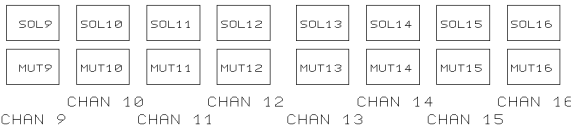
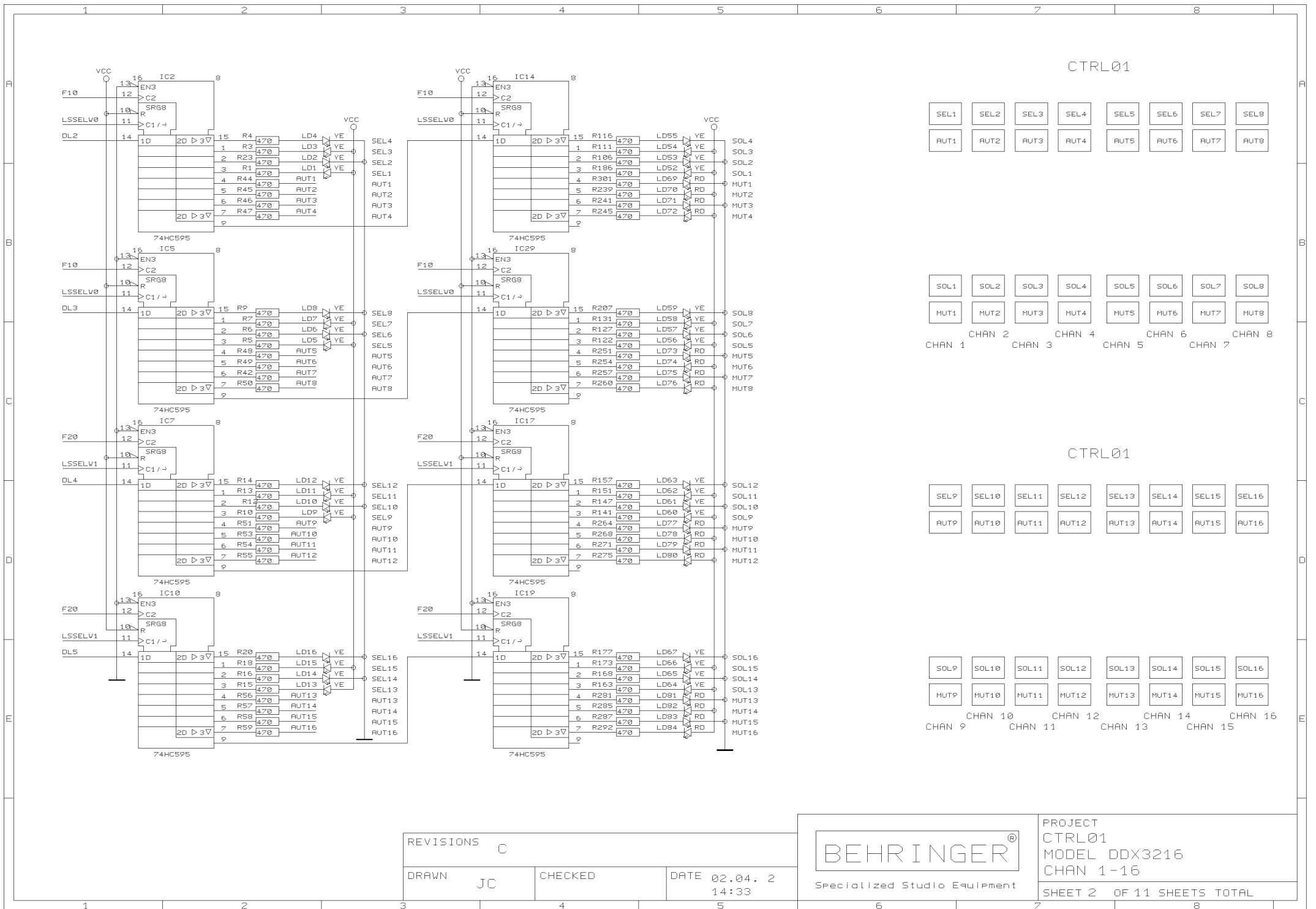
CHECKED

DATE 02.04. 2  
14:32

BEHRINGER®

Specialized Studio Equipment

PROJECT  
CTRL01  
MODEL DDX3216  
LED/SWITCH CTRL/MASTER  
SHEET 1 OF 11 SHEETS TOTAL



REVISIONS C

DRAWN JC

CHECKED

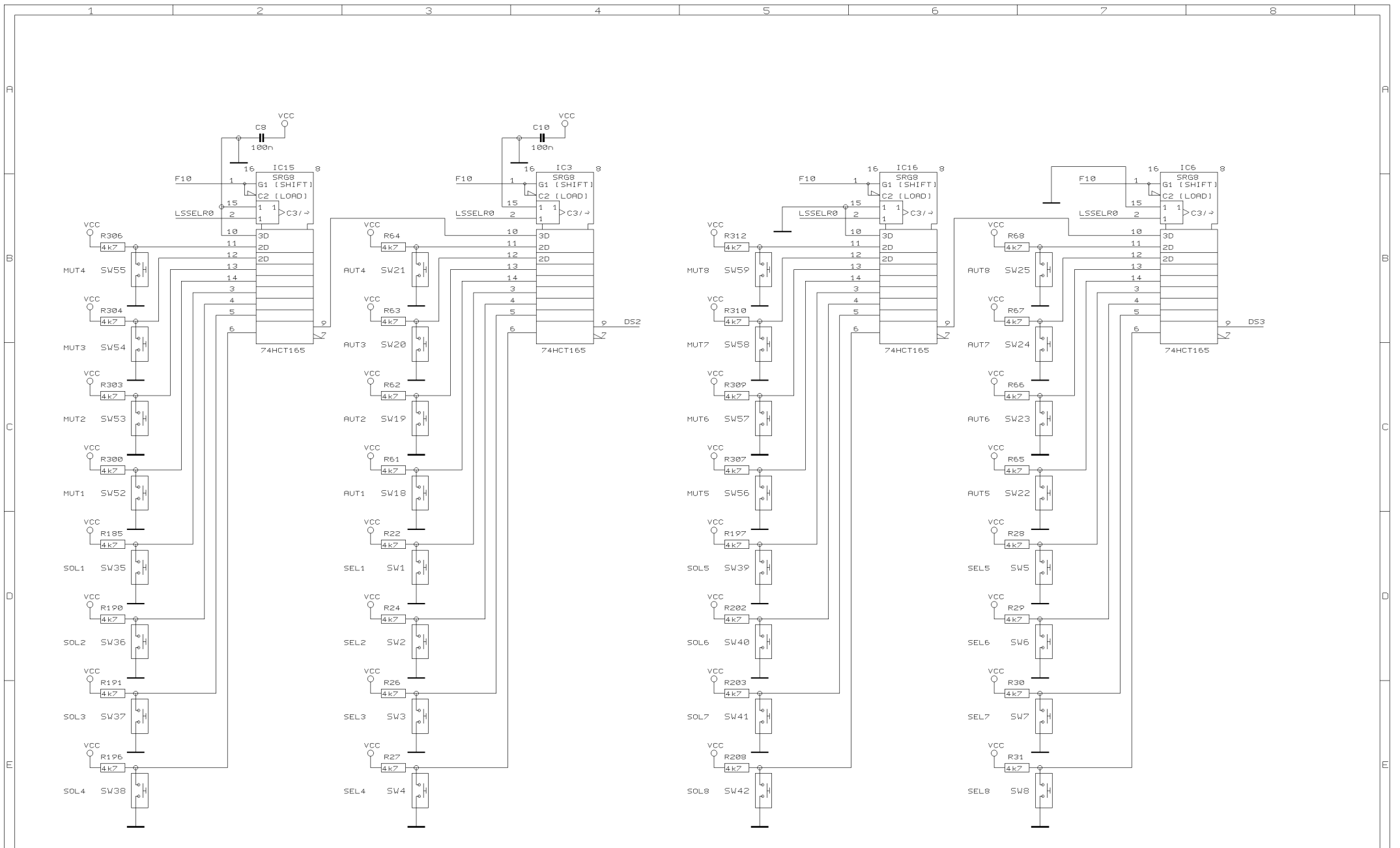
DATE 02.04. 2  
14:33



Specialized Studio Equipment

PROJECT  
CTRL01  
MODEL DDX3216  
CHAN 1-16

SHEET 2 OF 11 SHEETS TOTAL



REVISIONS C

DRAWN JC

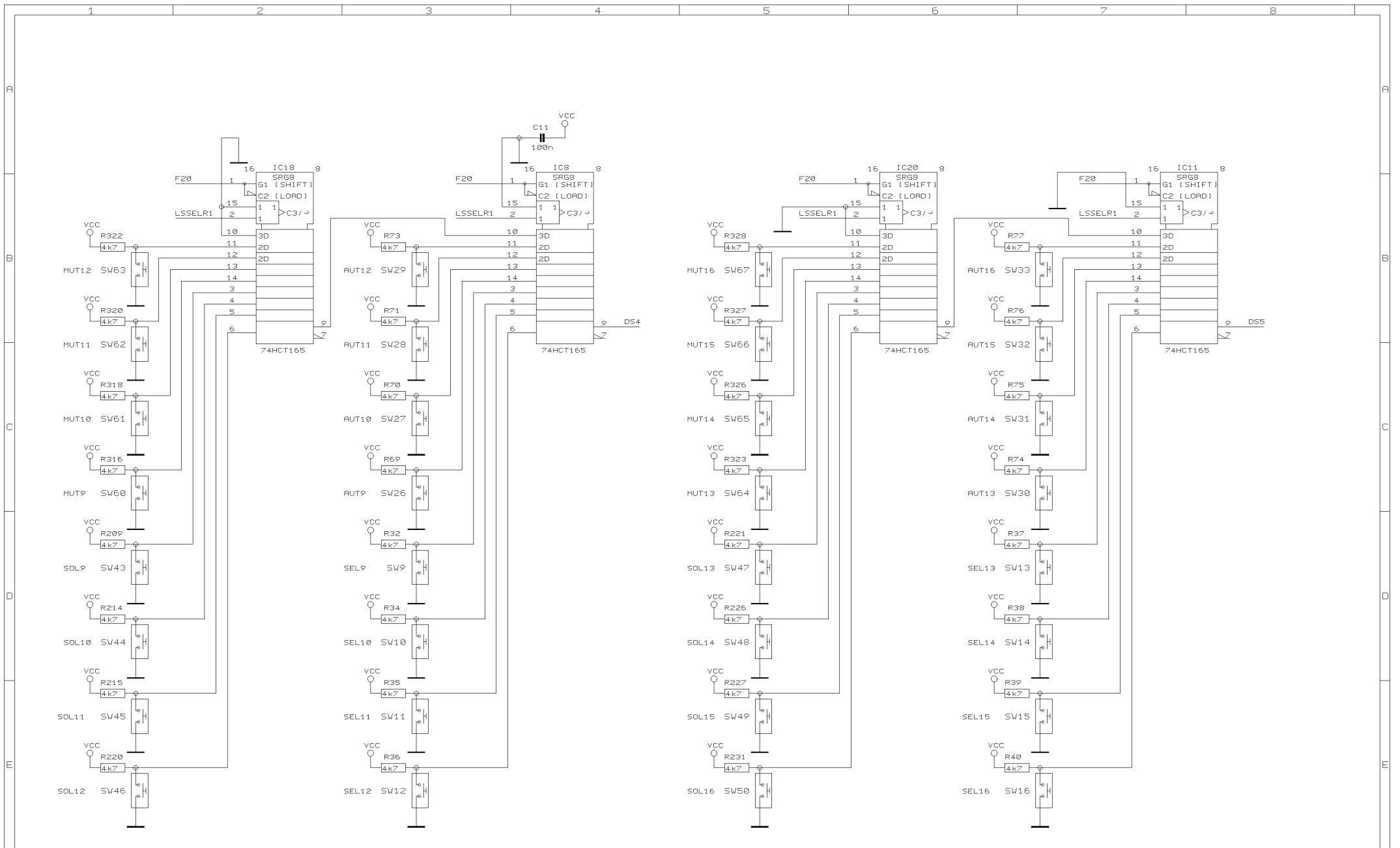
CHECKED

DATE 02.04. 2  
14:33



PROJECT  
CTRL01  
MODEL DDX3216  
SWITCH CHAN 1-8

SHEET 3 OF 11 SHEETS TOTAL



REVISIONS C

DRAWN JC

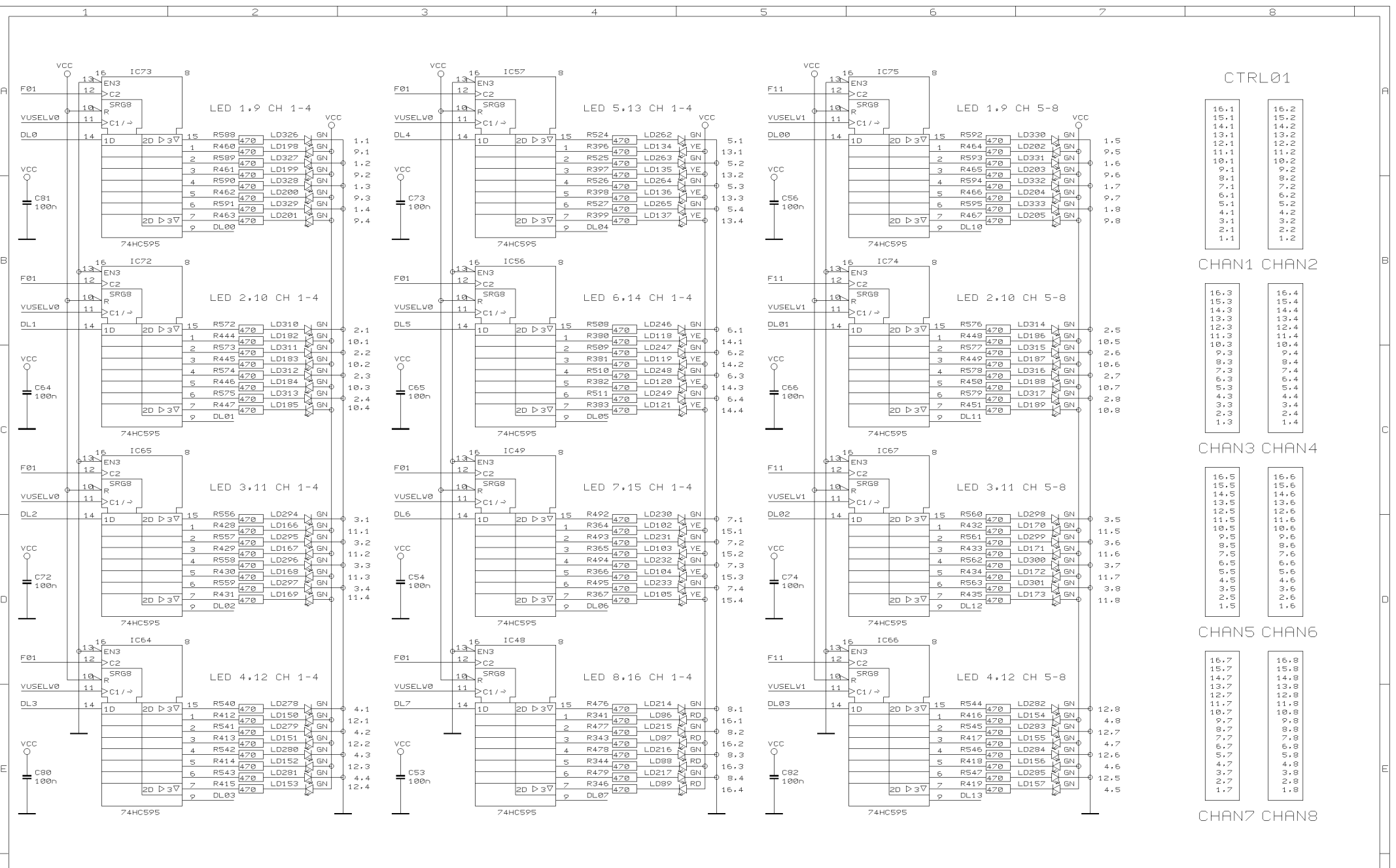
CHECKED

DATE 02.04. 2  
14:34



PROJECT  
CTRL01  
MODEL DDX3216  
SWITCH CHAN 9-12

SHEET 4 OF 11 SHEETS TOTAL



REVISIONS C

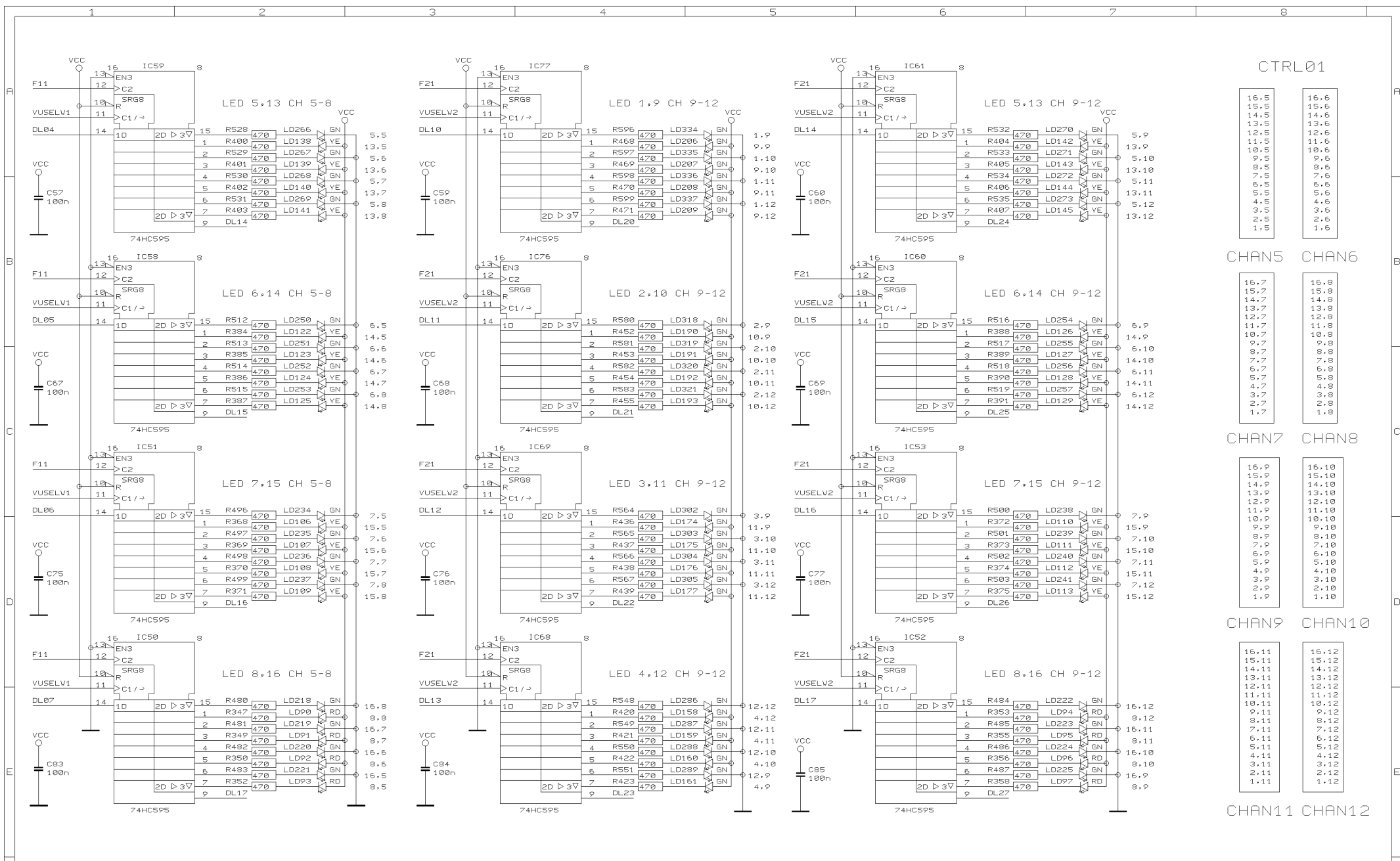
DRAWN JC

CHECKED

DATE 02.04. 2  
14:34



PROJECT  
CTRL01  
MODEL DDX3216  
VU CHAN 1-8  
SHEET 5 OF 11 SHEETS TOTAL



CTRL01

16.5	16.6
15.5	15.6
14.5	14.6
13.5	13.6
12.5	12.6
11.5	11.6
10.5	10.6
9.5	9.6
8.5	8.6
7.5	7.6
6.5	6.6
5.5	5.6
4.5	4.6
3.5	3.6
2.5	2.6
1.5	1.6

CHAN5 CHAN6

16.7	16.8
15.7	15.8
14.7	14.8
13.7	13.8
12.7	12.8
11.7	11.8
10.7	10.8
9.7	9.8
8.7	8.8
7.7	7.8
6.7	6.8
5.7	5.8
4.7	4.8
3.7	3.8
2.7	2.8
1.7	1.8

CHAN7 CHAN8

16.9	16.10
15.9	15.10
14.9	14.10
13.9	13.10
12.9	12.10
11.9	11.10
10.9	10.10
9.9	9.10
8.9	8.10
7.9	7.10
6.9	6.10
5.9	5.10
4.9	4.10
3.9	3.10
2.9	2.10
1.9	1.10

CHAN9 CHAN10

16.11	16.12
15.11	15.12
14.11	14.12
13.11	13.12
12.11	12.12
11.11	11.12
10.11	10.12
9.11	9.12
8.11	8.12
7.11	7.12
6.11	6.12
5.11	5.12
4.11	4.12
3.11	3.12
2.11	2.12
1.11	1.12

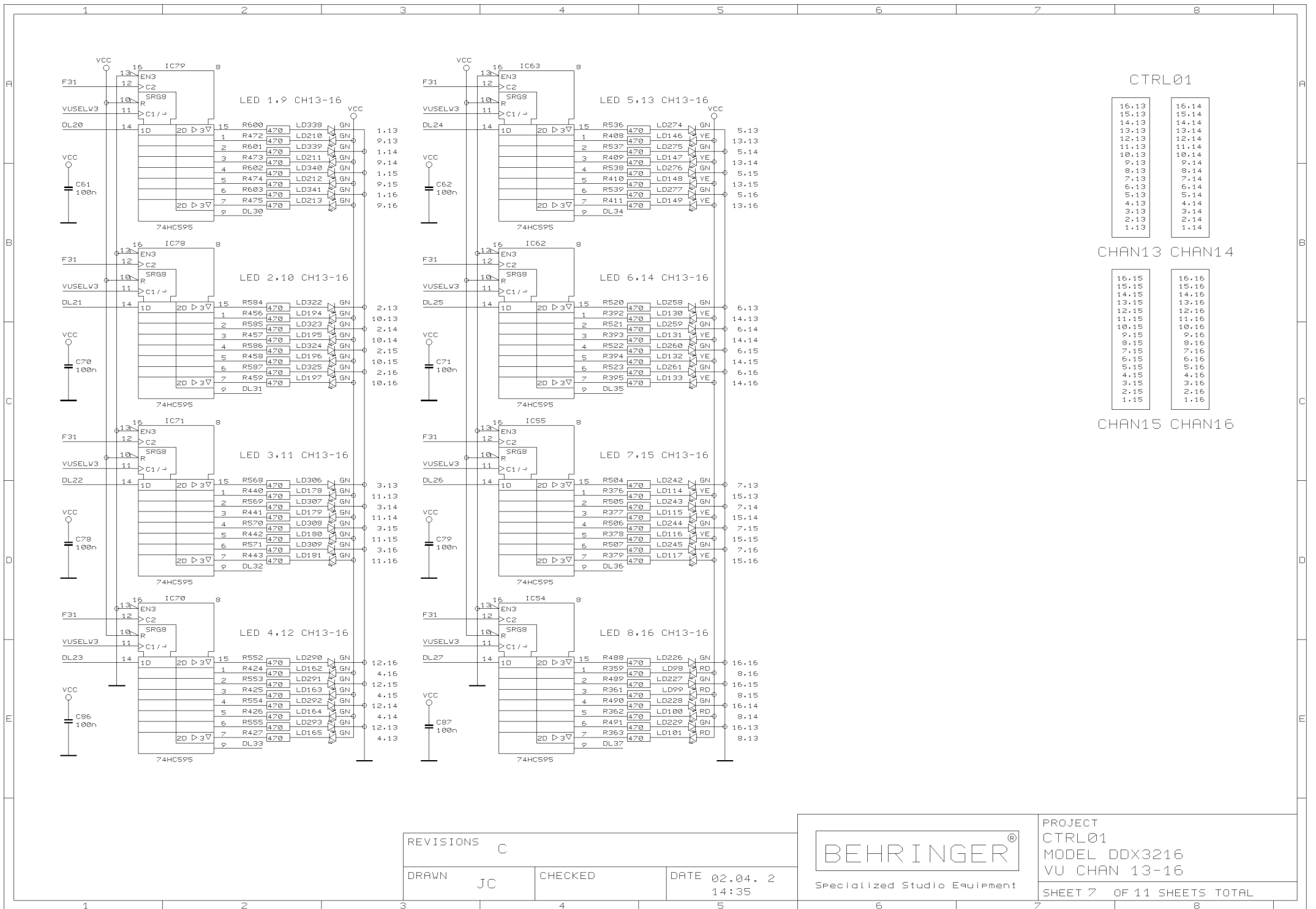
CHAN11 CHAN12

16.12	16.12
15.12	15.12
14.12	14.12
13.12	13.12
12.12	12.12
11.12	11.12
10.12	10.12
9.12	9.12
8.12	8.12
7.12	7.12
6.12	6.12
5.12	5.12
4.12	4.12
3.12	3.12
2.12	2.12
1.12	1.12

REVISIONS	C
DRAWN	JC
CHECKED	
DATE	02.04. 2 14:35



PROJECT  
CTRL01  
MODEL DDX3216  
VU CHAN 8-12  
SHEET 6 OF 11 SHEETS TOTAL



REVISIONS C

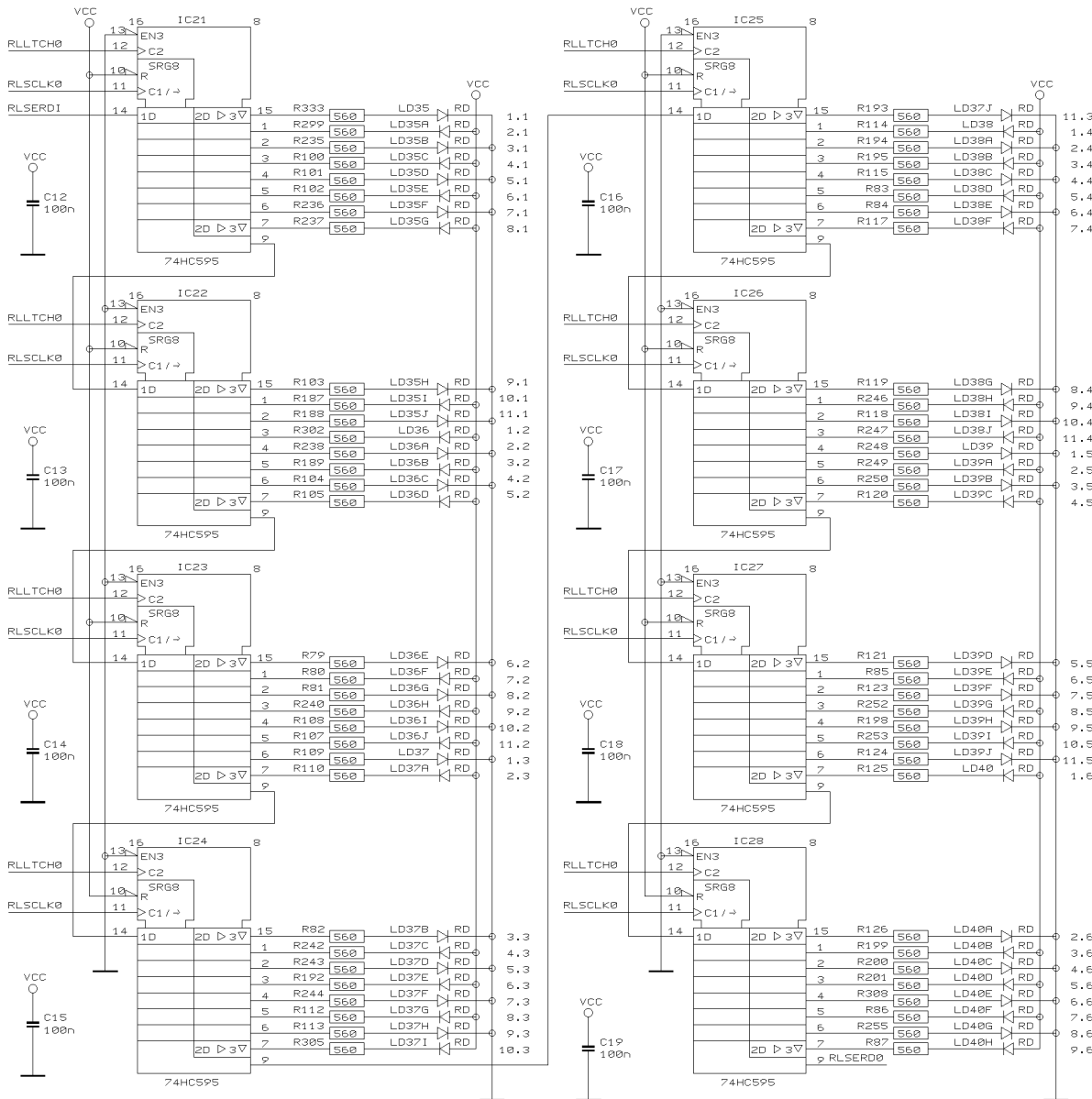
DRAWN JC

CHECKED

DATE 02.04. 2  
14:35



PROJECT  
CTRL01  
MODEL DDX3216  
VU CHAN 13-16  
SHEET 7 OF 11 SHEETS TOTAL



CTRL01

6.1 5.1 7.1 4.1 8.1 3.1 9.1 2.1 10.1 1.1 11.1	6.2 5.2 7.2 4.2 8.2 3.2 9.2 2.2 10.2 1.2 11.2	6.3 5.3 7.3 4.3 8.3 3.3 9.3 2.3 10.3 1.3 11.3	6.4 5.4 7.4 4.4 8.4 3.4 9.4 2.4 10.4 1.4 11.4	
CHAN 1	CHAN 2	CHAN 3	CHAN 4	
6.5 5.5 7.5 4.5 8.5 3.5 9.5 2.5 10.5 1.5 11.5	6.6 5.6 7.6 4.6 8.6 3.6 9.6 2.6 10.6 1.6 11.6	6.7 5.7 7.7 4.7 8.7 3.7 9.7 2.7 10.7 1.7 11.7	6.8 5.8 7.8 4.8 8.8 3.8 9.8 2.8 10.8 1.8 11.8	
CHAN 5	CHAN 6	CHAN 7	CHAN 8	
6.9 5.9 7.9 4.9 8.9 3.9 9.9 2.9 10.9 1.9 11.9	6.10 5.10 7.10 4.10 8.10 3.10 9.10 2.10 10.10 1.10 11.10	6.11 5.11 7.11 4.11 8.11 3.11 9.11 2.11 10.11 1.11 11.11	6.12 5.12 7.12 4.12 8.12 3.12 9.12 2.12 10.12 1.12 11.12	
CHAN 9	CHAN 10	CHAN 11	CHAN 12	
6.13 5.13 7.13 4.13 8.13 3.13 9.13 2.13 10.13 1.13 11.13	6.14 5.14 7.14 4.14 8.14 3.14 9.14 2.14 10.14 1.14 11.14	6.15 5.15 7.15 4.15 8.15 3.15 9.15 2.15 10.15 1.15 11.15	6.16 5.16 7.16 4.16 8.16 3.16 9.16 2.16 10.16 1.16 11.16	
CHAN 13	CHAN 14	CHAN 15	CHAN 16	
<table border="1"> <tr> <td>6.M 5.M 7.M 4.M 8.M 3.M 9.M 2.M 10.M 1.M 11.M</td> </tr> </table>				6.M 5.M 7.M 4.M 8.M 3.M 9.M 2.M 10.M 1.M 11.M
6.M 5.M 7.M 4.M 8.M 3.M 9.M 2.M 10.M 1.M 11.M				

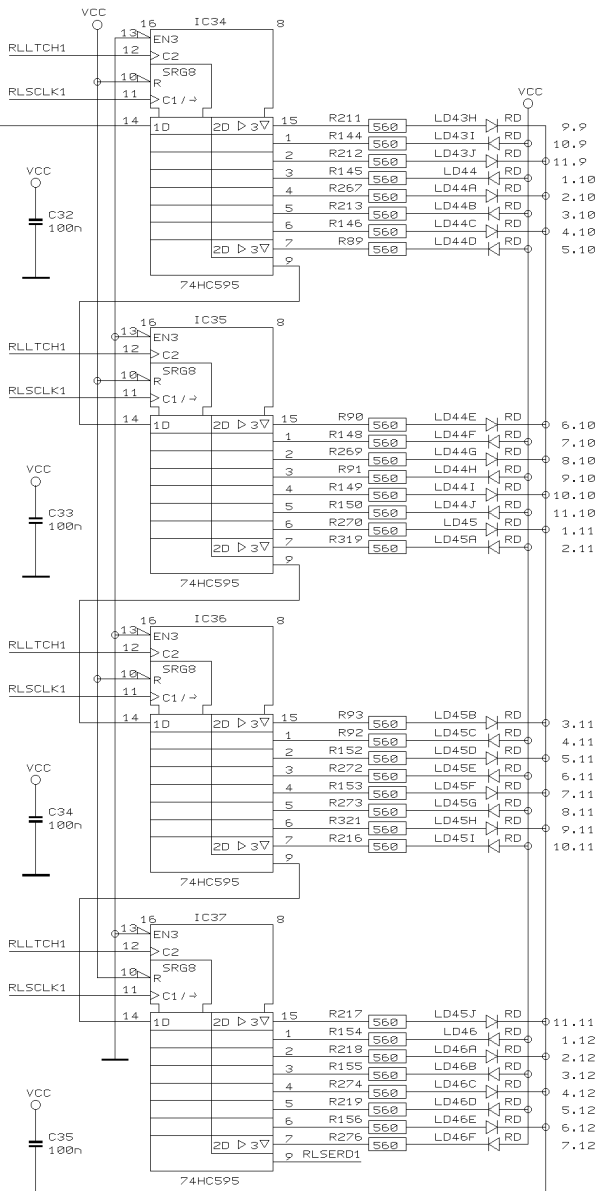
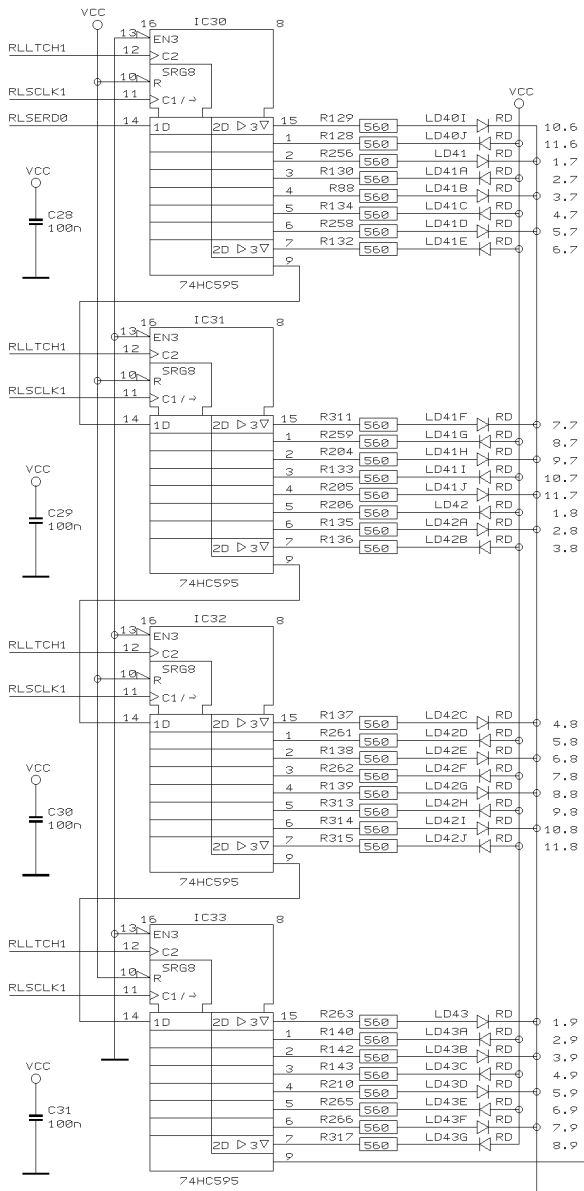
MASTER

REVISIONS	C
DRAWN	JC
CHECKED	
DATE	02.04. 2 14:36



PROJECT  
CTRL01  
MODEL DDX3216  
ENC LEDS 1-6  
SHEET 8 OF 11 SHEETS TOTAL





CTRL01

6.1	5.1 7.1	6.2	5.2 7.2	6.3	5.3 7.3	6.4	5.4 7.4
4.1	8.1	4.2	8.2	4.3	8.3	4.4	8.4
3.1	9.1	3.2	9.2	3.3	9.3	3.4	9.4
2.1	10.1	2.2	10.2	2.3	10.3	2.4	10.4
1.1	11.1	1.2	11.2	1.3	11.3	1.4	11.4

CHAN 1    CHAN 2    CHAN 3    CHAN 4

6.5	5.5 7.5	6.6	5.6 7.6	6.7	5.7 7.7	6.8	5.8 7.8
4.5	8.5	4.6	8.6	4.7	8.7	4.8	8.8
3.5	9.5	3.6	9.6	3.7	9.7	3.8	9.8
2.5	10.5	2.6	10.6	2.7	10.7	2.8	10.8
1.5	11.5	1.6	11.6	1.7	11.7	1.8	11.8

CHAN 5    CHAN 6    CHAN 7    CHAN 8

6.9	5.9 7.9	6.10	5.10 7.10	6.11	5.11 7.11	6.12	5.12 7.12
4.9	8.9	4.10	8.10	4.11	8.11	4.12	8.12
3.9	9.9	3.10	9.10	3.11	9.11	3.12	9.12
2.9	10.9	2.10	10.10	2.11	10.11	2.12	10.12
1.9	11.9	1.10	11.10	1.11	11.11	1.12	11.12

CHAN 9    CHAN 10    CHAN 11    CHAN 12

6.13	5.13 7.13	6.14	5.14 7.14	6.15	5.15 7.15	6.16	5.16 7.16
4.13	8.13	4.14	8.14	4.15	8.15	4.16	8.16
3.13	9.13	3.14	9.14	3.15	9.15	3.16	9.16
2.13	10.13	2.14	10.14	2.15	10.15	2.16	10.16
1.13	11.13	1.14	11.14	1.15	11.15	1.16	11.16

CHAN 13    CHAN 14    CHAN 15    CHAN 16

6.M	5.M 7.M
4.M	8.M
3.M	9.M
2.M	10.M
1.M	11.M

MASTER

REVISIONS C

DRAWN JC

CHECKED

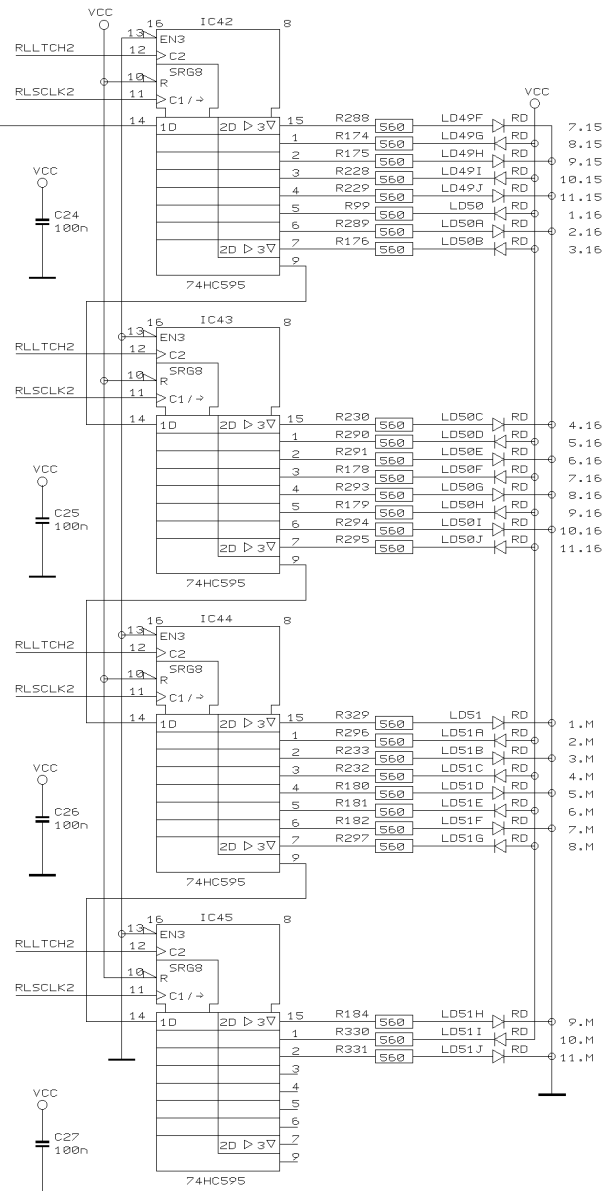
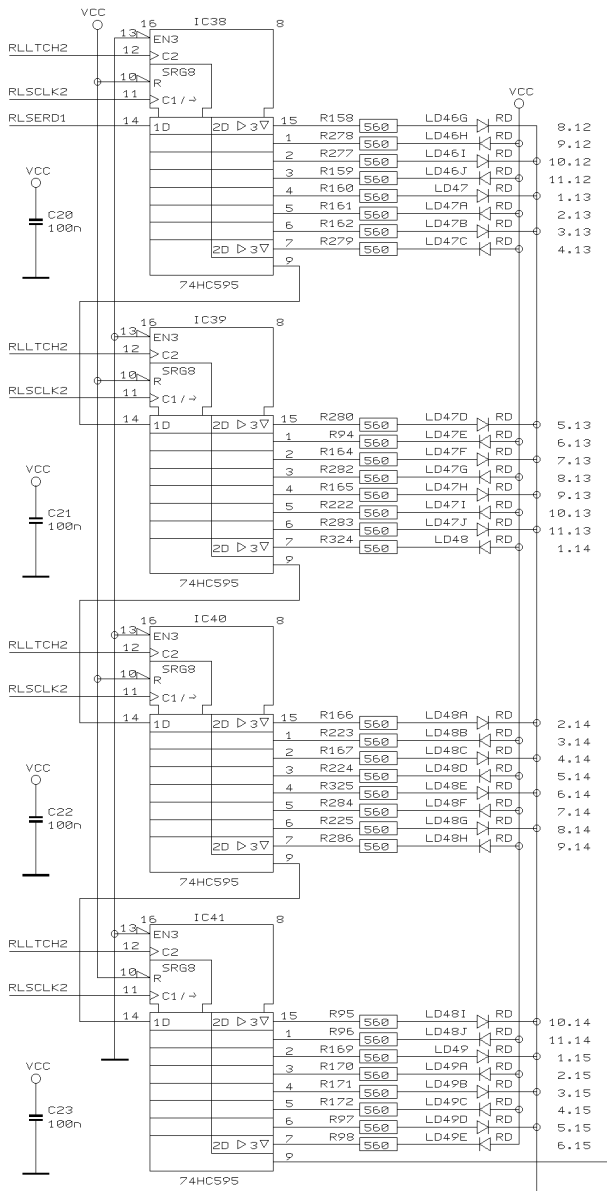
DATE 02.04. 2  
14:36



Specialized Studio Equipment

PROJECT  
CTRL01  
MODEL DDX3216  
ENC LEDS 6-12

SHEET 9 OF 11 SHEETS TOTAL



CTRL01

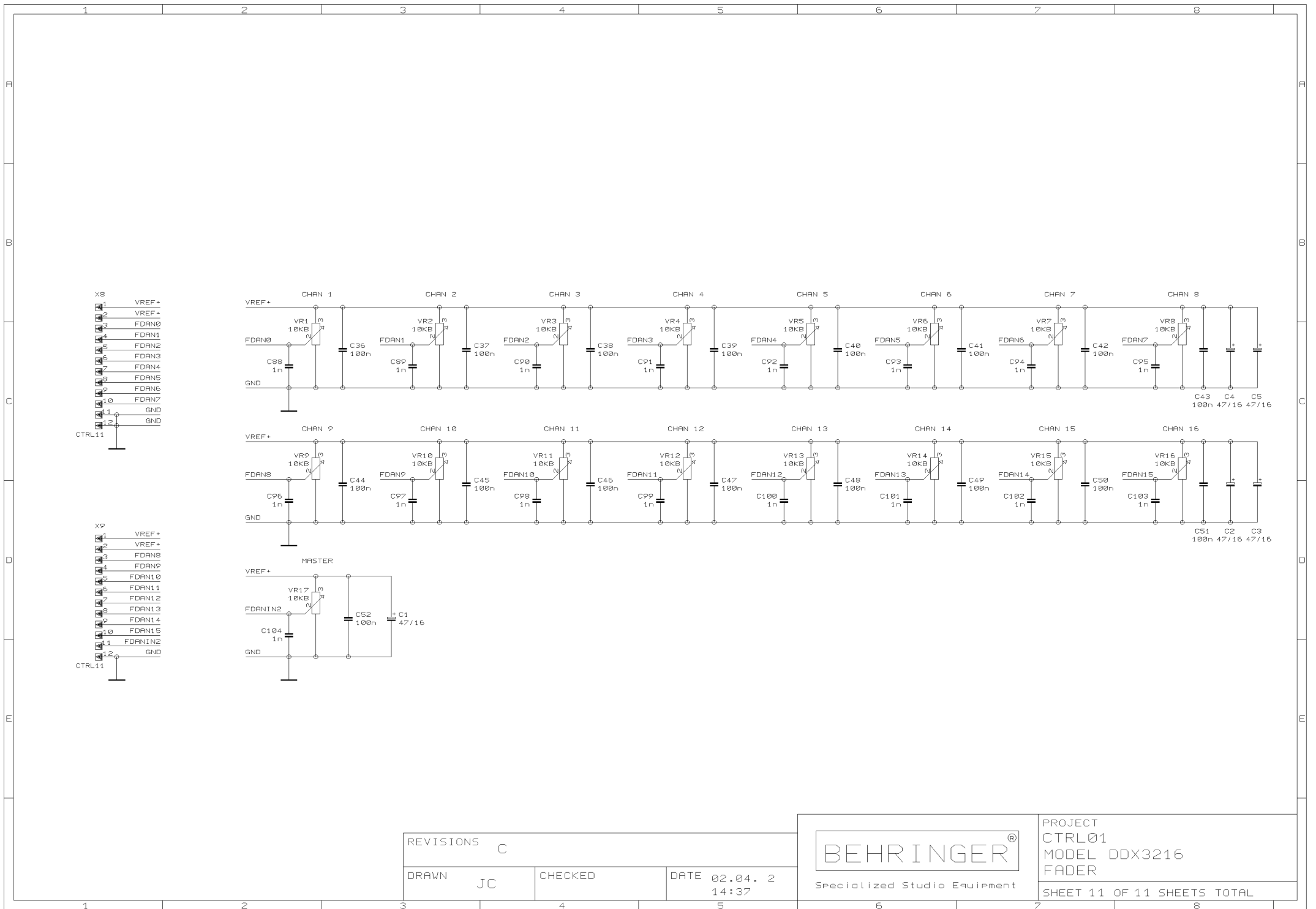
<table border="1"> <tr><td>6.1</td><td>7.1</td></tr> <tr><td>5.1</td><td>8.1</td></tr> <tr><td>4.1</td><td>9.1</td></tr> <tr><td>3.1</td><td>10.1</td></tr> <tr><td>2.1</td><td>11.1</td></tr> <tr><td>1.1</td><td>12.1</td></tr> </table> <p>CHAN 1</p>	6.1	7.1	5.1	8.1	4.1	9.1	3.1	10.1	2.1	11.1	1.1	12.1	<table border="1"> <tr><td>6.2</td><td>7.2</td></tr> <tr><td>5.2</td><td>8.2</td></tr> <tr><td>4.2</td><td>9.2</td></tr> <tr><td>3.2</td><td>10.2</td></tr> <tr><td>2.2</td><td>11.2</td></tr> <tr><td>1.2</td><td>12.2</td></tr> </table> <p>CHAN 2</p>	6.2	7.2	5.2	8.2	4.2	9.2	3.2	10.2	2.2	11.2	1.2	12.2	<table border="1"> <tr><td>6.3</td><td>7.3</td></tr> <tr><td>5.3</td><td>8.3</td></tr> <tr><td>4.3</td><td>9.3</td></tr> <tr><td>3.3</td><td>10.3</td></tr> <tr><td>2.3</td><td>11.3</td></tr> <tr><td>1.3</td><td>12.3</td></tr> </table> <p>CHAN 3</p>	6.3	7.3	5.3	8.3	4.3	9.3	3.3	10.3	2.3	11.3	1.3	12.3	<table border="1"> <tr><td>6.4</td><td>7.4</td></tr> <tr><td>5.4</td><td>8.4</td></tr> <tr><td>4.4</td><td>9.4</td></tr> <tr><td>3.4</td><td>10.4</td></tr> <tr><td>2.4</td><td>11.4</td></tr> <tr><td>1.4</td><td>12.4</td></tr> </table> <p>CHAN 4</p>	6.4	7.4	5.4	8.4	4.4	9.4	3.4	10.4	2.4	11.4	1.4	12.4
6.1	7.1																																																		
5.1	8.1																																																		
4.1	9.1																																																		
3.1	10.1																																																		
2.1	11.1																																																		
1.1	12.1																																																		
6.2	7.2																																																		
5.2	8.2																																																		
4.2	9.2																																																		
3.2	10.2																																																		
2.2	11.2																																																		
1.2	12.2																																																		
6.3	7.3																																																		
5.3	8.3																																																		
4.3	9.3																																																		
3.3	10.3																																																		
2.3	11.3																																																		
1.3	12.3																																																		
6.4	7.4																																																		
5.4	8.4																																																		
4.4	9.4																																																		
3.4	10.4																																																		
2.4	11.4																																																		
1.4	12.4																																																		
<table border="1"> <tr><td>6.5</td><td>7.5</td></tr> <tr><td>5.5</td><td>8.5</td></tr> <tr><td>4.5</td><td>9.5</td></tr> <tr><td>3.5</td><td>10.5</td></tr> <tr><td>2.5</td><td>11.5</td></tr> <tr><td>1.5</td><td>12.5</td></tr> </table> <p>CHAN 5</p>	6.5	7.5	5.5	8.5	4.5	9.5	3.5	10.5	2.5	11.5	1.5	12.5	<table border="1"> <tr><td>6.6</td><td>7.6</td></tr> <tr><td>5.6</td><td>8.6</td></tr> <tr><td>4.6</td><td>9.6</td></tr> <tr><td>3.6</td><td>10.6</td></tr> <tr><td>2.6</td><td>11.6</td></tr> <tr><td>1.6</td><td>12.6</td></tr> </table> <p>CHAN 6</p>	6.6	7.6	5.6	8.6	4.6	9.6	3.6	10.6	2.6	11.6	1.6	12.6	<table border="1"> <tr><td>6.7</td><td>7.7</td></tr> <tr><td>5.7</td><td>8.7</td></tr> <tr><td>4.7</td><td>9.7</td></tr> <tr><td>3.7</td><td>10.7</td></tr> <tr><td>2.7</td><td>11.7</td></tr> <tr><td>1.7</td><td>12.7</td></tr> </table> <p>CHAN 7</p>	6.7	7.7	5.7	8.7	4.7	9.7	3.7	10.7	2.7	11.7	1.7	12.7	<table border="1"> <tr><td>6.8</td><td>7.8</td></tr> <tr><td>5.8</td><td>8.8</td></tr> <tr><td>4.8</td><td>9.8</td></tr> <tr><td>3.8</td><td>10.8</td></tr> <tr><td>2.8</td><td>11.8</td></tr> <tr><td>1.8</td><td>12.8</td></tr> </table> <p>CHAN 8</p>	6.8	7.8	5.8	8.8	4.8	9.8	3.8	10.8	2.8	11.8	1.8	12.8
6.5	7.5																																																		
5.5	8.5																																																		
4.5	9.5																																																		
3.5	10.5																																																		
2.5	11.5																																																		
1.5	12.5																																																		
6.6	7.6																																																		
5.6	8.6																																																		
4.6	9.6																																																		
3.6	10.6																																																		
2.6	11.6																																																		
1.6	12.6																																																		
6.7	7.7																																																		
5.7	8.7																																																		
4.7	9.7																																																		
3.7	10.7																																																		
2.7	11.7																																																		
1.7	12.7																																																		
6.8	7.8																																																		
5.8	8.8																																																		
4.8	9.8																																																		
3.8	10.8																																																		
2.8	11.8																																																		
1.8	12.8																																																		
<table border="1"> <tr><td>6.9</td><td>7.9</td></tr> <tr><td>5.9</td><td>8.9</td></tr> <tr><td>4.9</td><td>9.9</td></tr> <tr><td>3.9</td><td>10.9</td></tr> <tr><td>2.9</td><td>11.9</td></tr> <tr><td>1.9</td><td>12.9</td></tr> </table> <p>CHAN 9</p>	6.9	7.9	5.9	8.9	4.9	9.9	3.9	10.9	2.9	11.9	1.9	12.9	<table border="1"> <tr><td>6.10</td><td>7.10</td></tr> <tr><td>5.10</td><td>8.10</td></tr> <tr><td>4.10</td><td>9.10</td></tr> <tr><td>3.10</td><td>10.10</td></tr> <tr><td>2.10</td><td>11.10</td></tr> <tr><td>1.10</td><td>12.10</td></tr> </table> <p>CHAN 10</p>	6.10	7.10	5.10	8.10	4.10	9.10	3.10	10.10	2.10	11.10	1.10	12.10	<table border="1"> <tr><td>6.11</td><td>7.11</td></tr> <tr><td>5.11</td><td>8.11</td></tr> <tr><td>4.11</td><td>9.11</td></tr> <tr><td>3.11</td><td>10.11</td></tr> <tr><td>2.11</td><td>11.11</td></tr> <tr><td>1.11</td><td>12.11</td></tr> </table> <p>CHAN 11</p>	6.11	7.11	5.11	8.11	4.11	9.11	3.11	10.11	2.11	11.11	1.11	12.11	<table border="1"> <tr><td>6.12</td><td>7.12</td></tr> <tr><td>5.12</td><td>8.12</td></tr> <tr><td>4.12</td><td>9.12</td></tr> <tr><td>3.12</td><td>10.12</td></tr> <tr><td>2.12</td><td>11.12</td></tr> <tr><td>1.12</td><td>12.12</td></tr> </table> <p>CHAN 12</p>	6.12	7.12	5.12	8.12	4.12	9.12	3.12	10.12	2.12	11.12	1.12	12.12
6.9	7.9																																																		
5.9	8.9																																																		
4.9	9.9																																																		
3.9	10.9																																																		
2.9	11.9																																																		
1.9	12.9																																																		
6.10	7.10																																																		
5.10	8.10																																																		
4.10	9.10																																																		
3.10	10.10																																																		
2.10	11.10																																																		
1.10	12.10																																																		
6.11	7.11																																																		
5.11	8.11																																																		
4.11	9.11																																																		
3.11	10.11																																																		
2.11	11.11																																																		
1.11	12.11																																																		
6.12	7.12																																																		
5.12	8.12																																																		
4.12	9.12																																																		
3.12	10.12																																																		
2.12	11.12																																																		
1.12	12.12																																																		
<table border="1"> <tr><td>6.13</td><td>7.13</td></tr> <tr><td>5.13</td><td>8.13</td></tr> <tr><td>4.13</td><td>9.13</td></tr> <tr><td>3.13</td><td>10.13</td></tr> <tr><td>2.13</td><td>11.13</td></tr> <tr><td>1.13</td><td>12.13</td></tr> </table> <p>CHAN 13</p>	6.13	7.13	5.13	8.13	4.13	9.13	3.13	10.13	2.13	11.13	1.13	12.13	<table border="1"> <tr><td>6.14</td><td>7.14</td></tr> <tr><td>5.14</td><td>8.14</td></tr> <tr><td>4.14</td><td>9.14</td></tr> <tr><td>3.14</td><td>10.14</td></tr> <tr><td>2.14</td><td>11.14</td></tr> <tr><td>1.14</td><td>12.14</td></tr> </table> <p>CHAN 14</p>	6.14	7.14	5.14	8.14	4.14	9.14	3.14	10.14	2.14	11.14	1.14	12.14	<table border="1"> <tr><td>6.15</td><td>7.15</td></tr> <tr><td>5.15</td><td>8.15</td></tr> <tr><td>4.15</td><td>9.15</td></tr> <tr><td>3.15</td><td>10.15</td></tr> <tr><td>2.15</td><td>11.15</td></tr> <tr><td>1.15</td><td>12.15</td></tr> </table> <p>CHAN 15</p>	6.15	7.15	5.15	8.15	4.15	9.15	3.15	10.15	2.15	11.15	1.15	12.15	<table border="1"> <tr><td>6.16</td><td>7.16</td></tr> <tr><td>5.16</td><td>8.16</td></tr> <tr><td>4.16</td><td>9.16</td></tr> <tr><td>3.16</td><td>10.16</td></tr> <tr><td>2.16</td><td>11.16</td></tr> <tr><td>1.16</td><td>12.16</td></tr> </table> <p>CHAN 16</p>	6.16	7.16	5.16	8.16	4.16	9.16	3.16	10.16	2.16	11.16	1.16	12.16
6.13	7.13																																																		
5.13	8.13																																																		
4.13	9.13																																																		
3.13	10.13																																																		
2.13	11.13																																																		
1.13	12.13																																																		
6.14	7.14																																																		
5.14	8.14																																																		
4.14	9.14																																																		
3.14	10.14																																																		
2.14	11.14																																																		
1.14	12.14																																																		
6.15	7.15																																																		
5.15	8.15																																																		
4.15	9.15																																																		
3.15	10.15																																																		
2.15	11.15																																																		
1.15	12.15																																																		
6.16	7.16																																																		
5.16	8.16																																																		
4.16	9.16																																																		
3.16	10.16																																																		
2.16	11.16																																																		
1.16	12.16																																																		

MASTER

REVISIONS	C		
DRAWN	JC	CHECKED	DATE 02.04. 2 14:37



PROJECT  
CTRL01  
MODEL DDX3216  
ENC LEDS 12-16/M  
SHEET 10 OF 11 SHEETS TOTAL



- X8
- 1 VREF+
  - 2 VREF+
  - 3 FDRN0
  - 4 FDRN1
  - 5 FDRN2
  - 6 FDRN3
  - 7 FDRN4
  - 8 FDRN5
  - 9 FDRN6
  - 10 FDRN7
  - 11 GND
  - 12 GND
- CTRL11

- X9
- 1 VREF+
  - 2 VREF+
  - 3 FDRN8
  - 4 FDRN9
  - 5 FDRN10
  - 6 FDRN11
  - 7 FDRN12
  - 8 FDRN13
  - 9 FDRN14
  - 10 FDRN15
  - 11 FDRN16
  - 12 GND
- CTRL11

REVISIONS	C		
DRAWN	JC	CHECKED	DATE 02.04. 2 14:37



PROJECT  
CTRL01  
MODEL DDX3216  
FADER

SHEET 11 OF 11 SHEETS TOTAL