

REVISIONS D

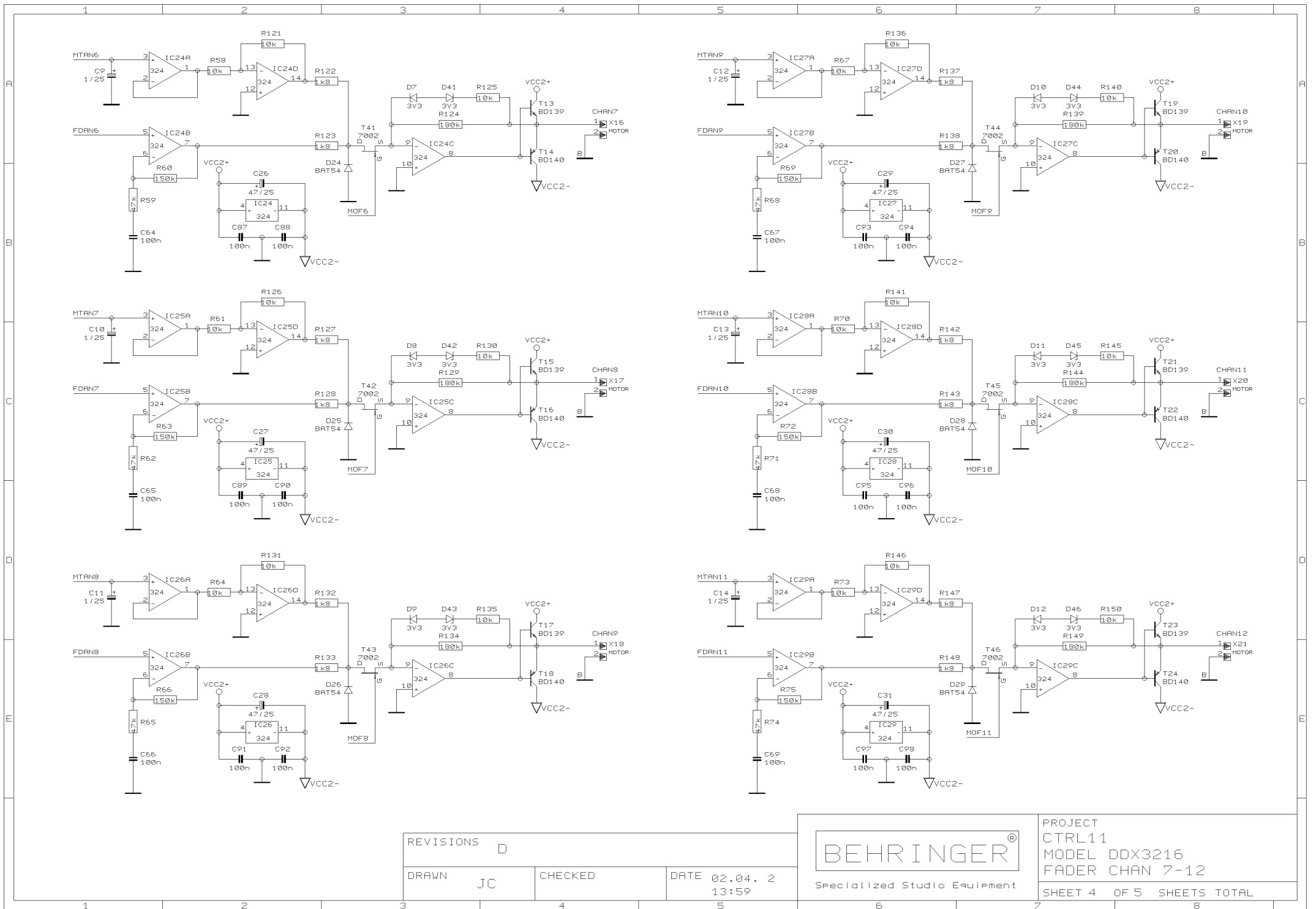
DRAWN JC

CHECKED

DATE 02.04. 2
13:58



PROJECT
CTRL11
MODEL DDX3216
ENCODERS CHAN 1-16/M
SHEET 2 OF 5 SHEETS TOTAL



REVISIONS D

DRAWN JC

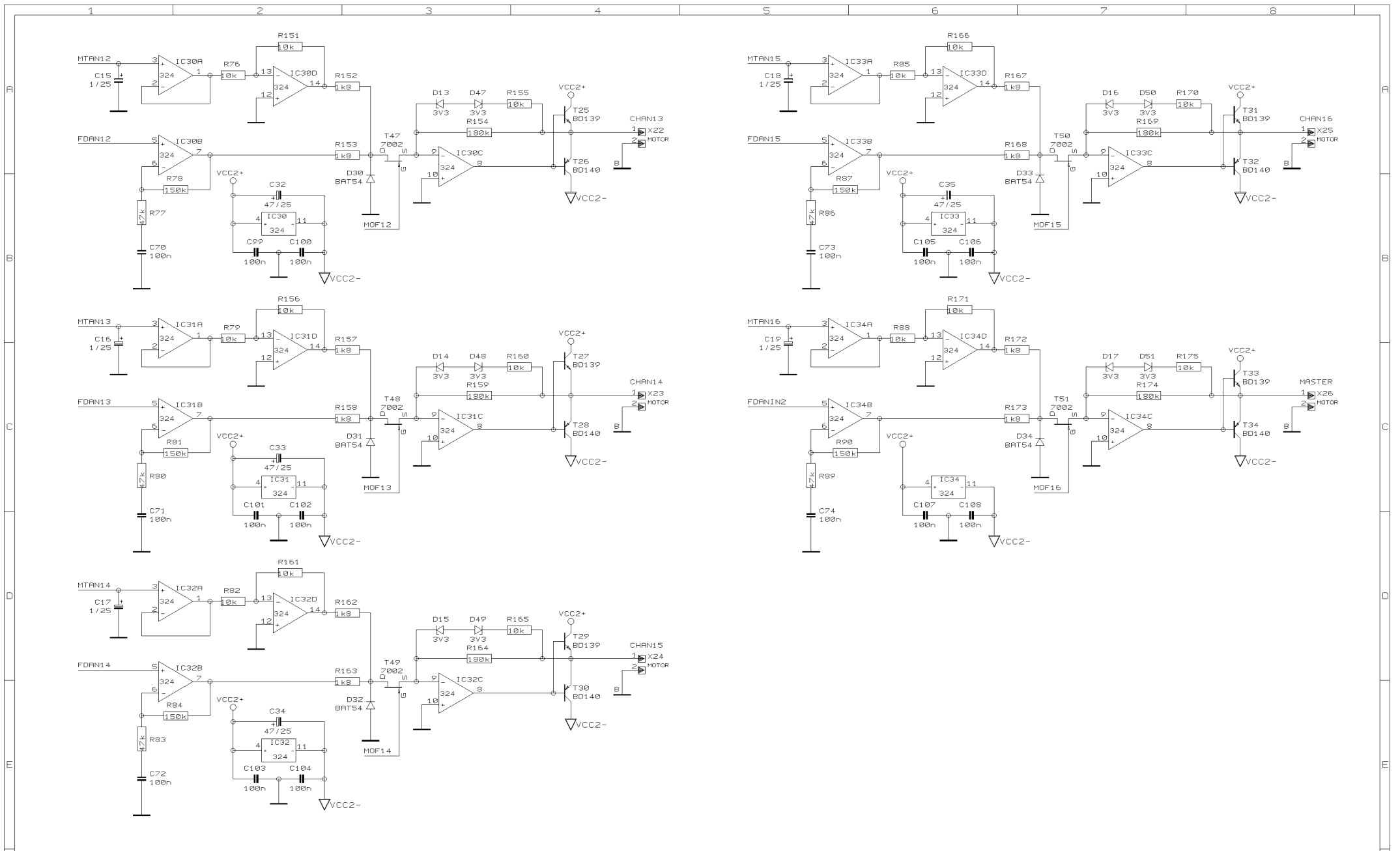
CHECKED

DATE 02.04. 2
13:59



PROJECT
CTRL11
MODEL DDX3216
FADER CHAN 7-12

SHEET 4 OF 5 SHEETS TOTAL



REVISIONS D

DRAWN JC

CHECKED

DATE 02.04. 2
14:00



PROJECT
CTRL11
MODEL DDX3216
FADER 13-16/M

SHEET 5 OF 5 SHEETS TOTAL