

REVISIONS

D

DRAWN

S.P.

CHECKED

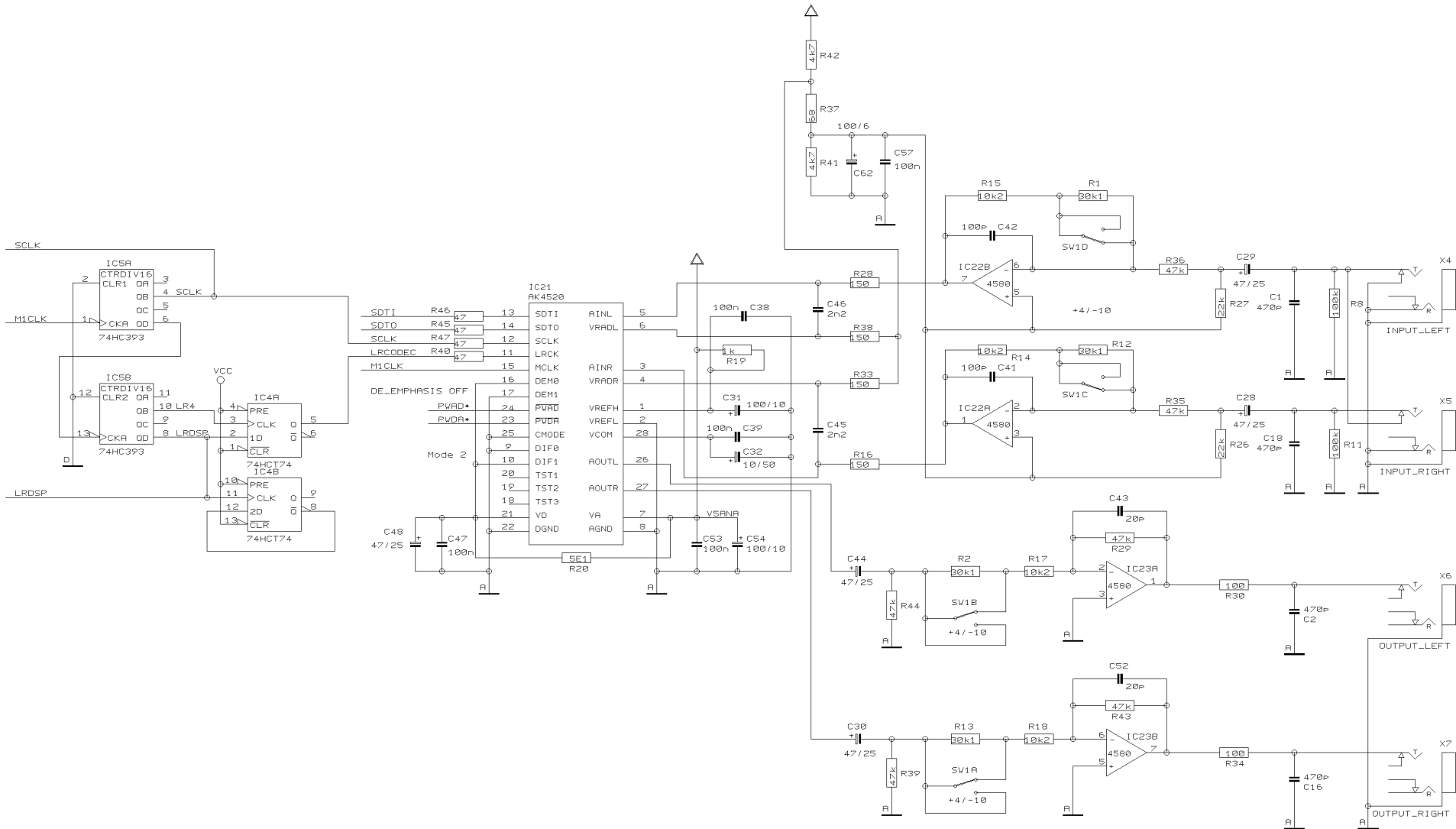
DATE 09.02. 1  
12:21

BEHRINGER®

Specialized Studio Equipment

PROJECT  
DSP1000  
DSP MAINBOARD DSP1X00  
POWER SUPPLY

SHEET 1 OF 3 SHEETS TOTAL



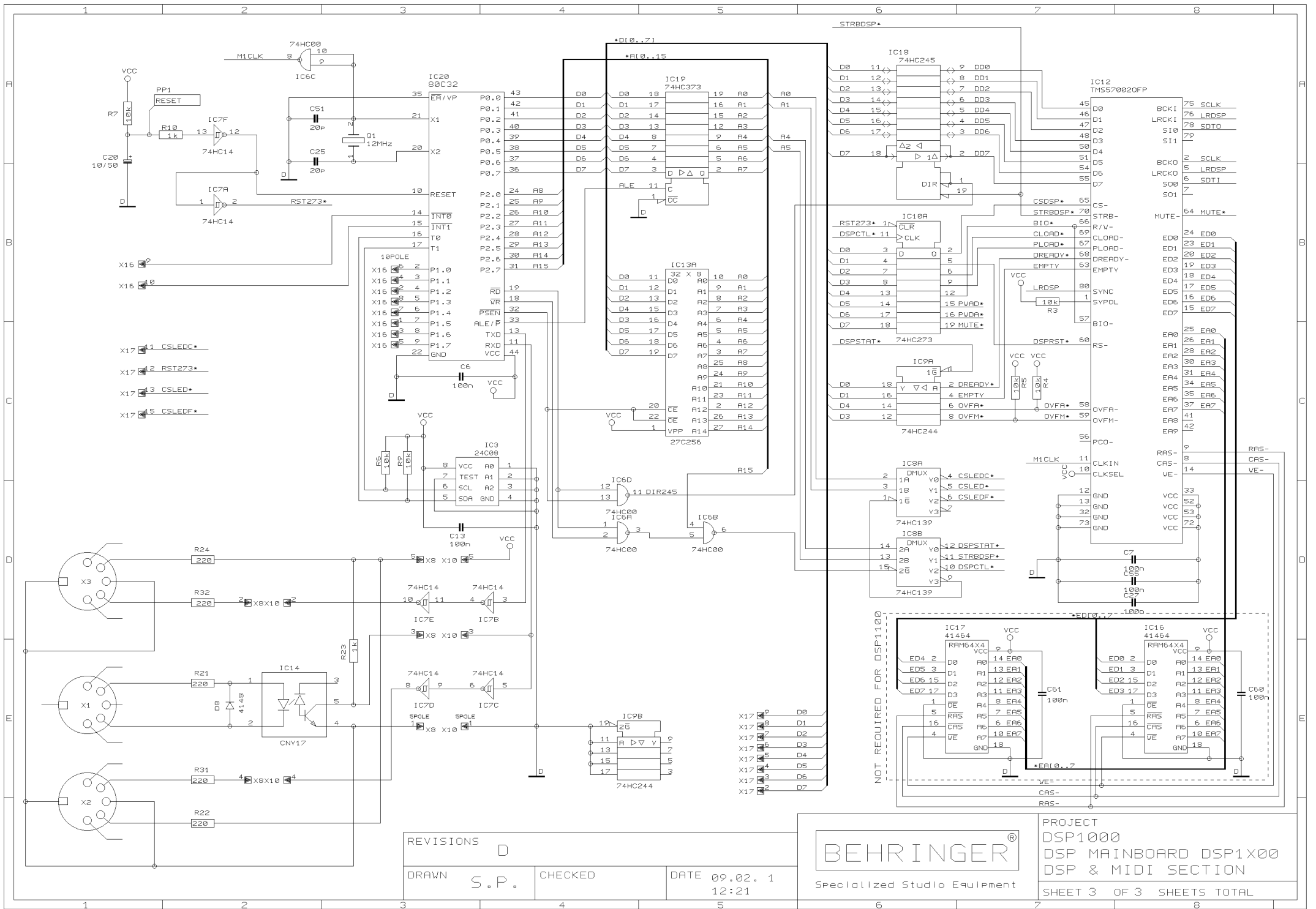
REVISIONS

REVISIONS	D
DRAWN	S.P.
CHECKED	

DATE 09.02. 1  
12:21



PROJECT  
DSP1000  
DSP MAINBOARD DSP1X00  
IN/OUT SECTION  
SHEET 2 OF 3 SHEETS TOTAL



REVISIONS

D

DRAWN

S.P.

CHECKED

DATE 09.02. 1  
12:21

BEHRINGER®

Specialized Studio Equipment

PROJECT  
DSP1000  
DSP MAINBOARD DSP1X00  
DSP & MIDI SECTION

SHEET 3 OF 3 SHEETS TOTAL