

REVISIONS B (091000)

DRAWN BHK

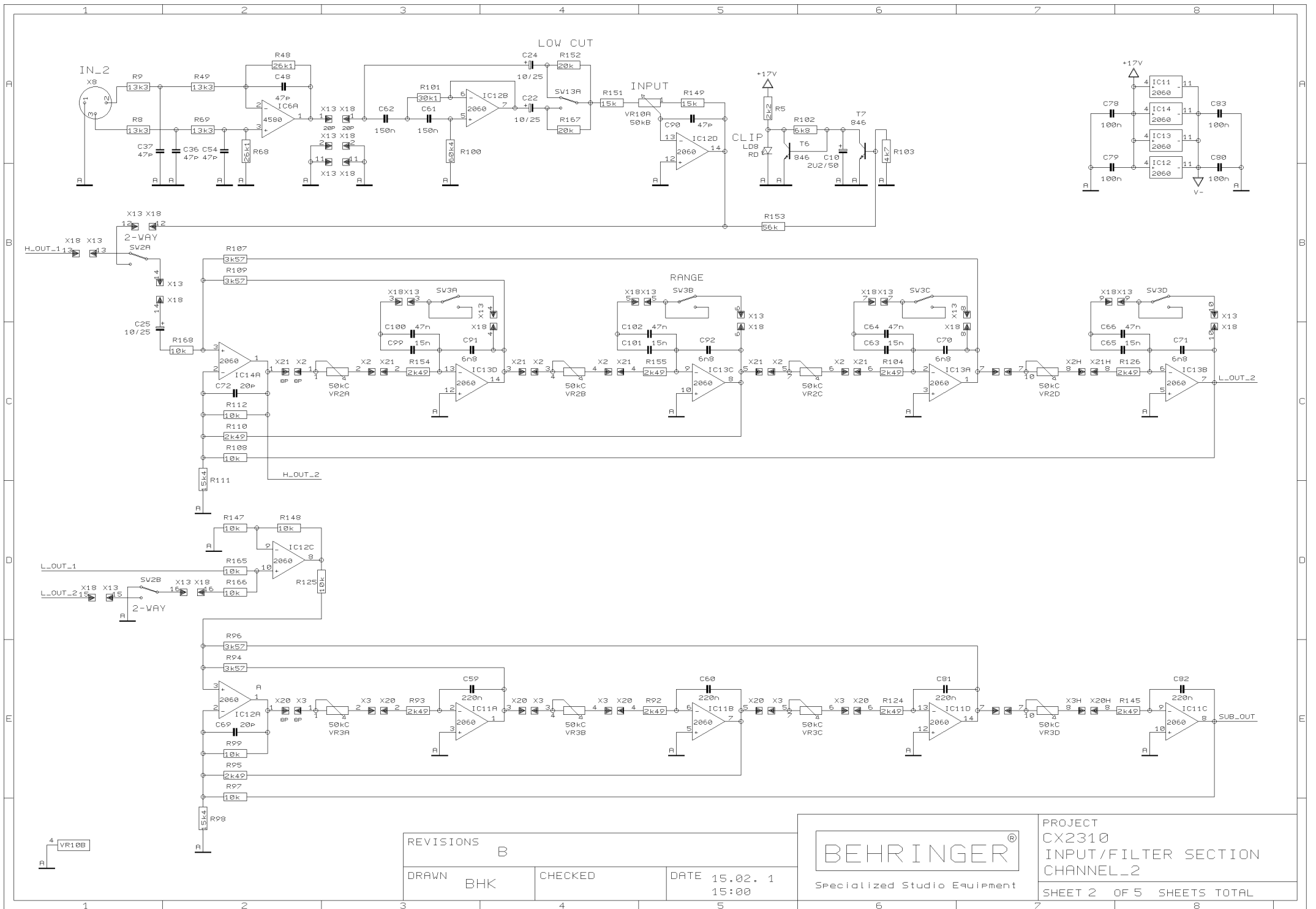
CHECKED

DATE 15.02. 15:00



PROJECT CX2310
INPUT/FILTER SECTION
CHANNEL_1

SHEET 1 OF 5 SHEETS TOTAL



REVISIONS

B

DRAWN

BHK

CHECKED

DATE 15.02. 1

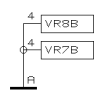
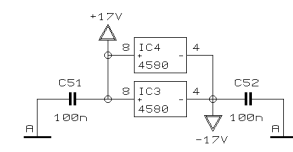
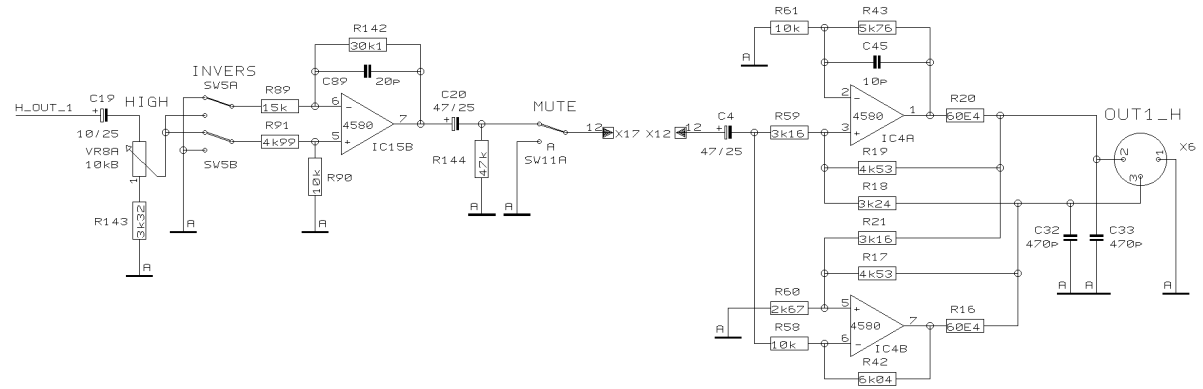
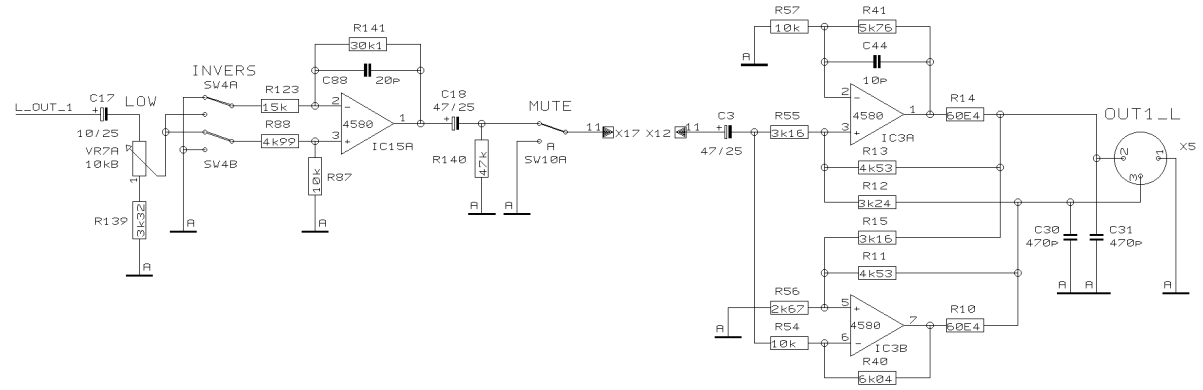
15:00

BEHRINGER®

Specialized Studio Equipment

PROJECT
CX2310
INPUT/FILTER SECTION
CHANNEL_2

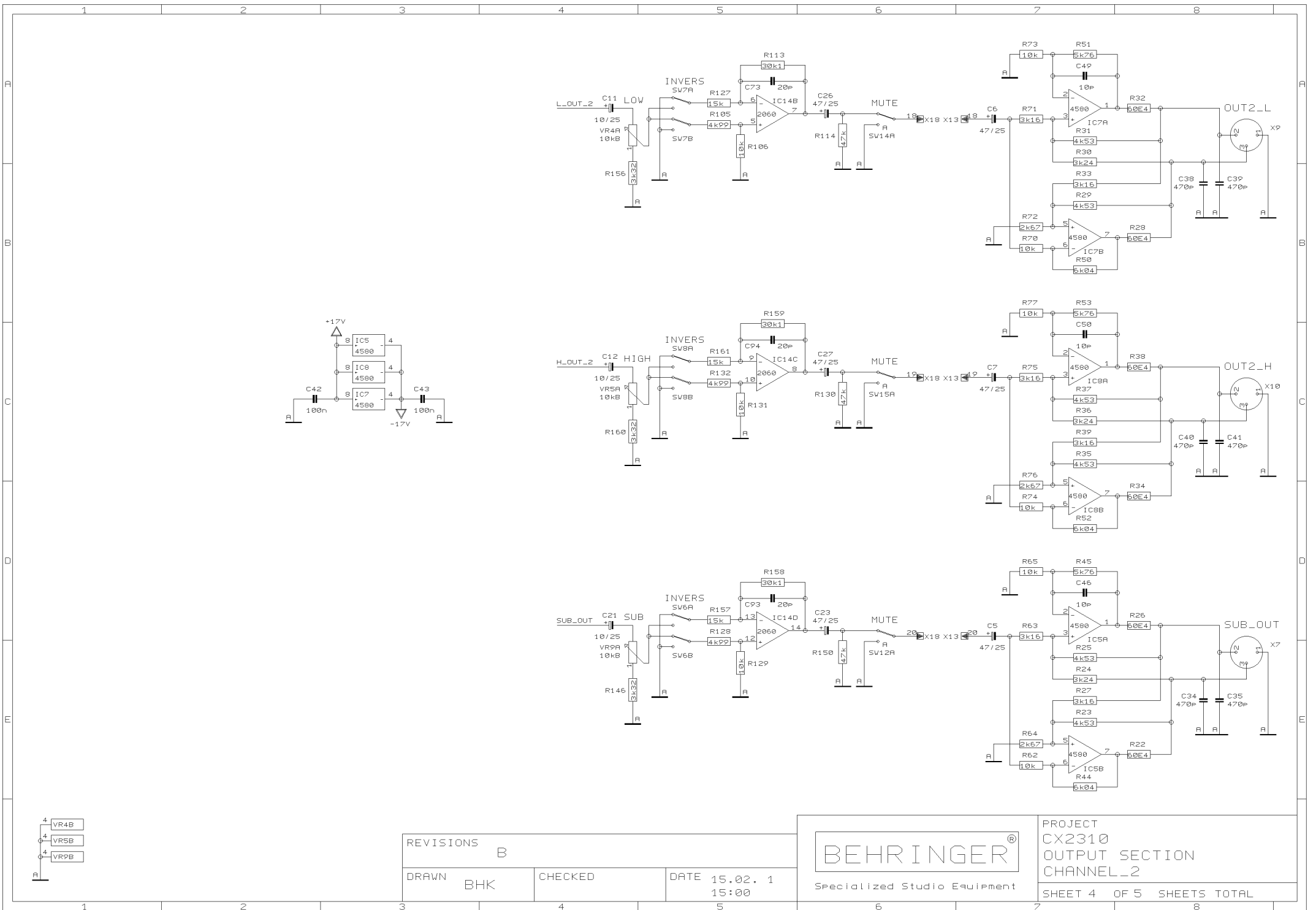
SHEET 2 OF 5 SHEETS TOTAL



REVISIONS		B	
DRAWN	BHK	CHECKED	DATE 15.02. 15:00



PROJECT CX2310
 OUTPUT SECTION
 CHANNEL_1
 SHEET 3 OF 5 SHEETS TOTAL



REVISIONS B

DRAWN BHK

CHECKED

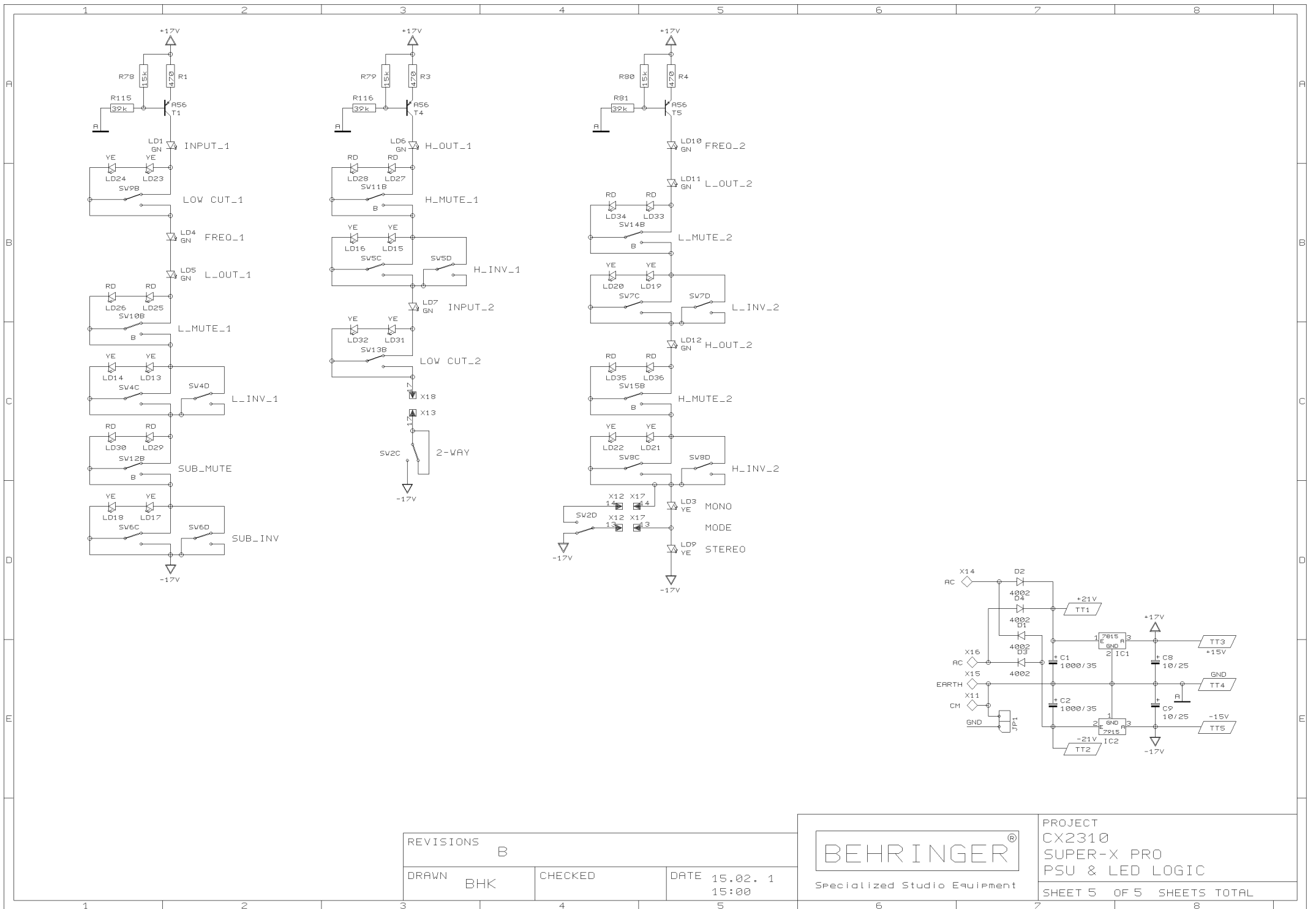
DATE 15.02. 1
15:00

BEHRINGER®

Specialized Studio Equipment

PROJECT
CX2310
OUTPUT SECTION
CHANNEL_2

SHEET 4 OF 5 SHEETS TOTAL



REVISIONS

B

DRAWN

BHK

CHECKED

DATE 15.02. 1
15:00



PROJECT
CX2310
SUPER-X PRO
PSU & LED LOGIC

SHEET 5 OF 5 SHEETS TOTAL