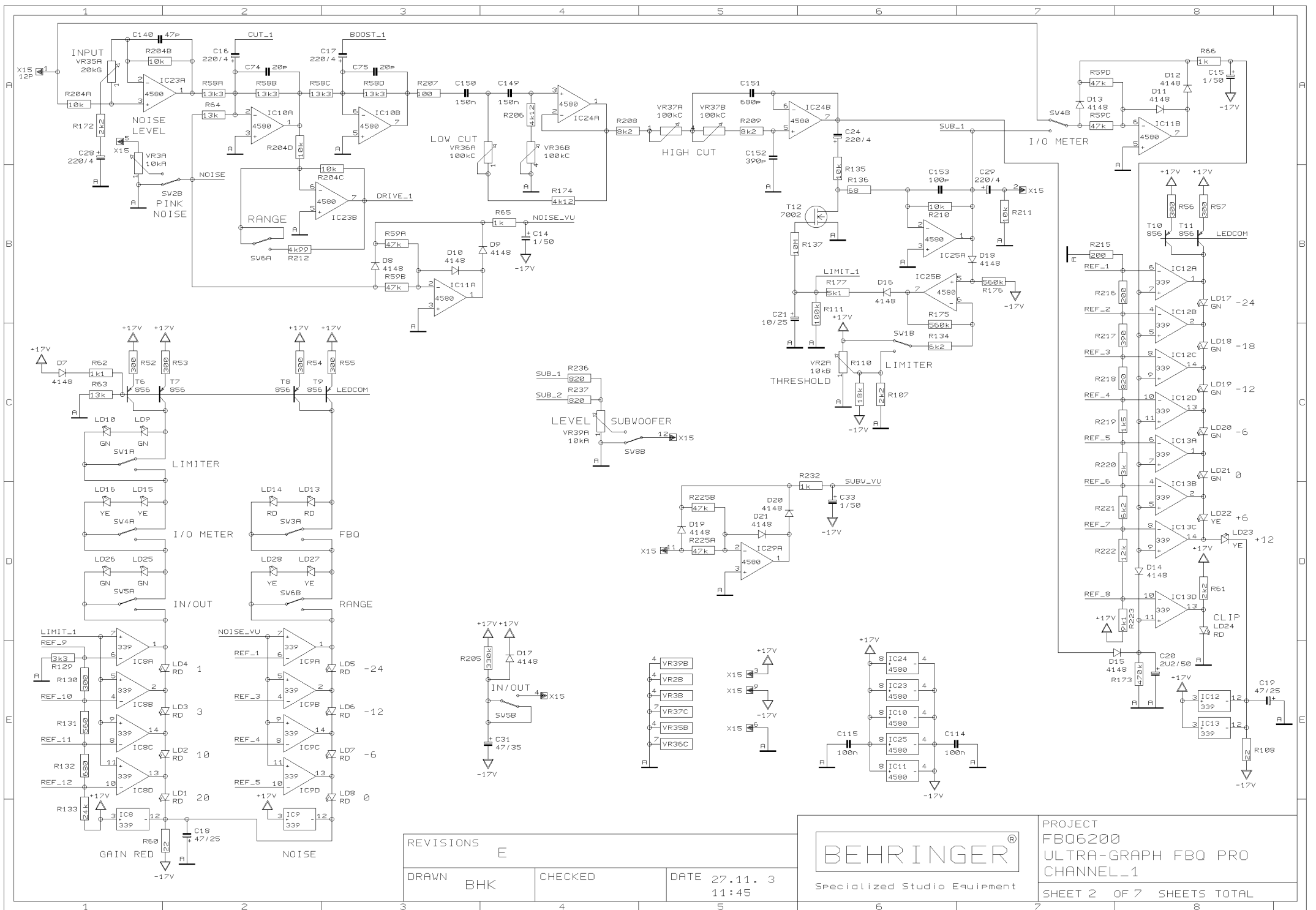


|           |     |              |                        |
|-----------|-----|--------------|------------------------|
| REVISIONS |     | E (14/08/03) |                        |
| DRAWN     | BHK | CHECKED      | DATE 27.11. 3<br>11:45 |



PROJECT  
FB06200  
ULTRA-GRAPH FB0 PRO  
IN/OUT SECTION/PSU  
SHEET 1 OF 7 SHEETS TOTAL



REVISIONS

E

DRAWN BHK

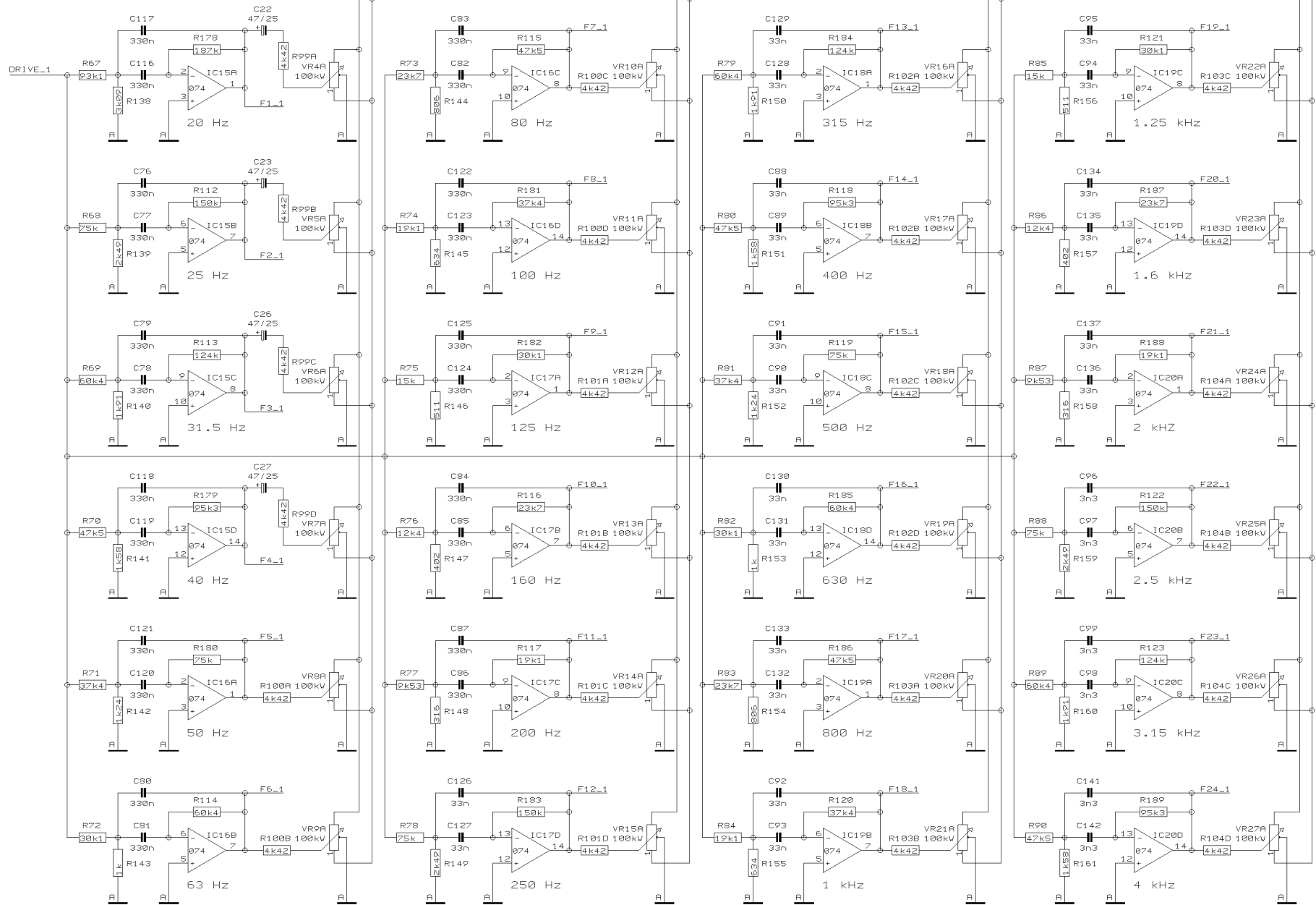
CHECKED

DATE 27.11. 3  
11:45



PROJECT  
FB06200  
ULTRA-GRAPH FBO PRO  
CHANNEL\_1  
SHEET 2 OF 7 SHEETS TOTAL

BOOST\_1  
CUT\_1



REVISIONS

E

DRAWN

BHK

CHECKED

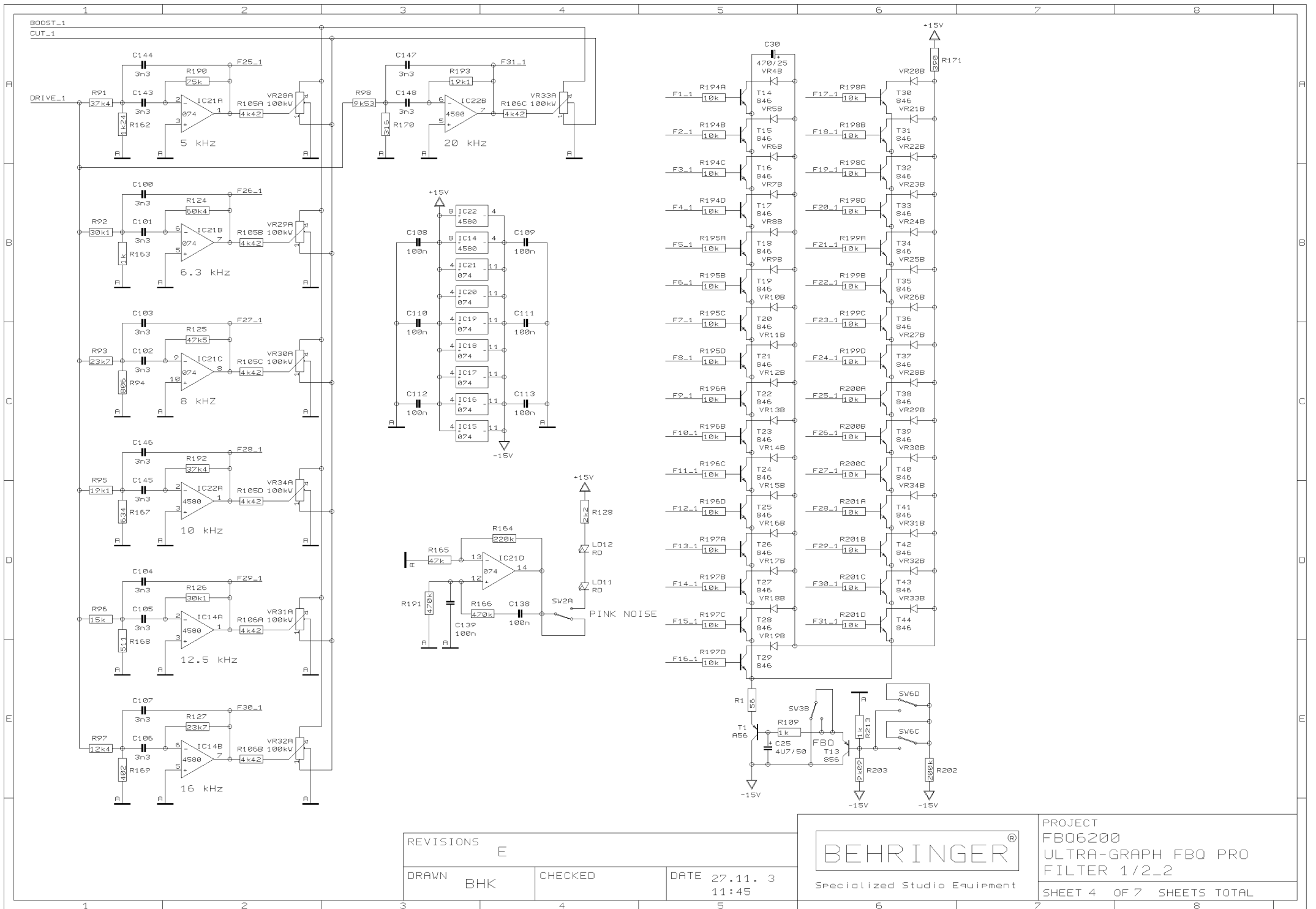
DATE 27.11. 3  
11:45

BEHRINGER®

Specialized Studio Equipment

PROJECT  
FB06200  
ULTRA-GRAPH FBO PRO  
FILTER 1/2\_1

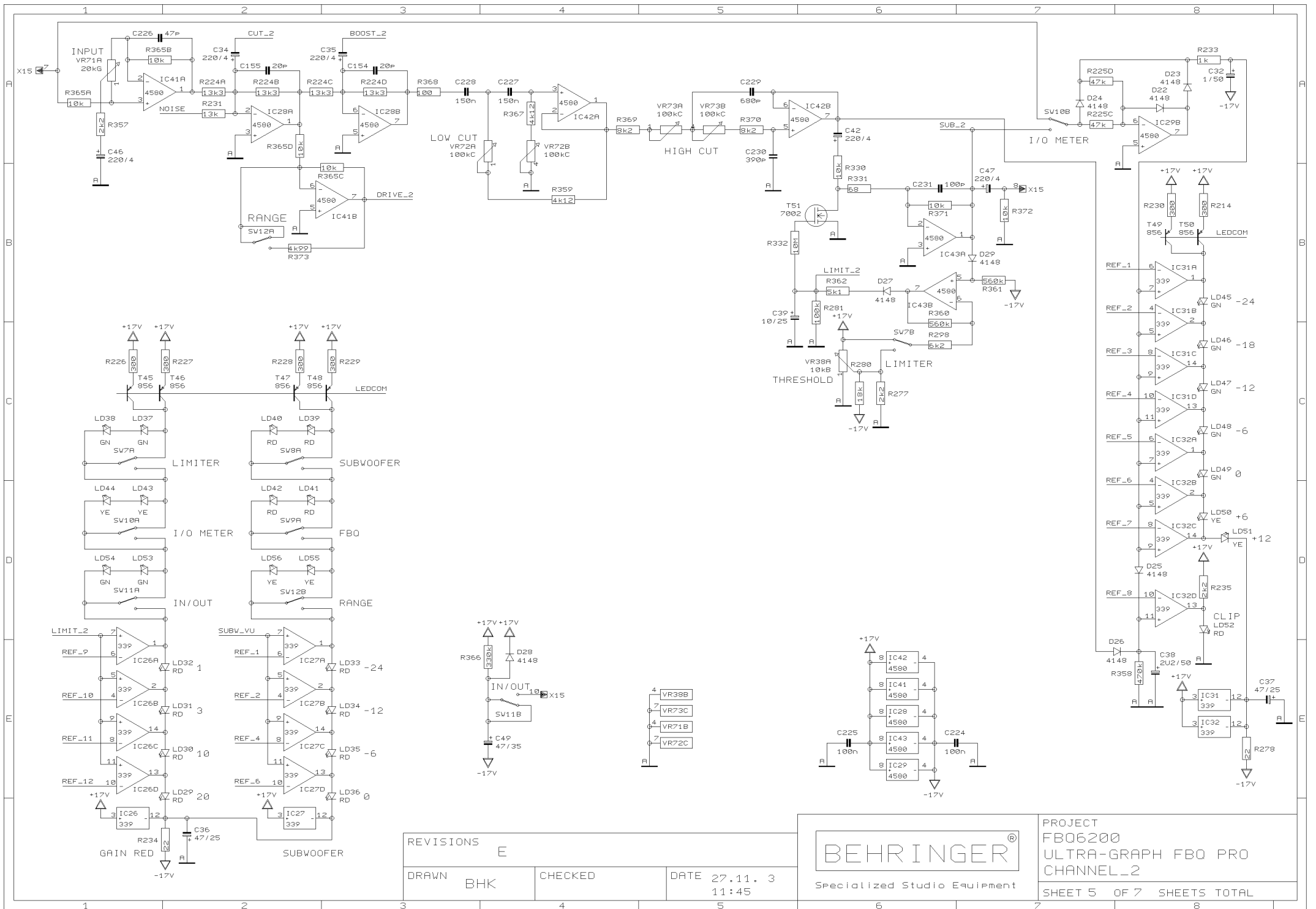
SHEET 3 OF 7 SHEETS TOTAL



|           |     |         |                        |
|-----------|-----|---------|------------------------|
| REVISIONS |     | E       |                        |
| DRAWN     | BHK | CHECKED | DATE 27.11. 3<br>11:45 |

  
 Specialized Studio Equipment

PROJECT  
 FB06200  
 ULTRA-GRAPH FBQ PRO  
 FILTER 1/2\_2  
 SHEET 4 OF 7 SHEETS TOTAL

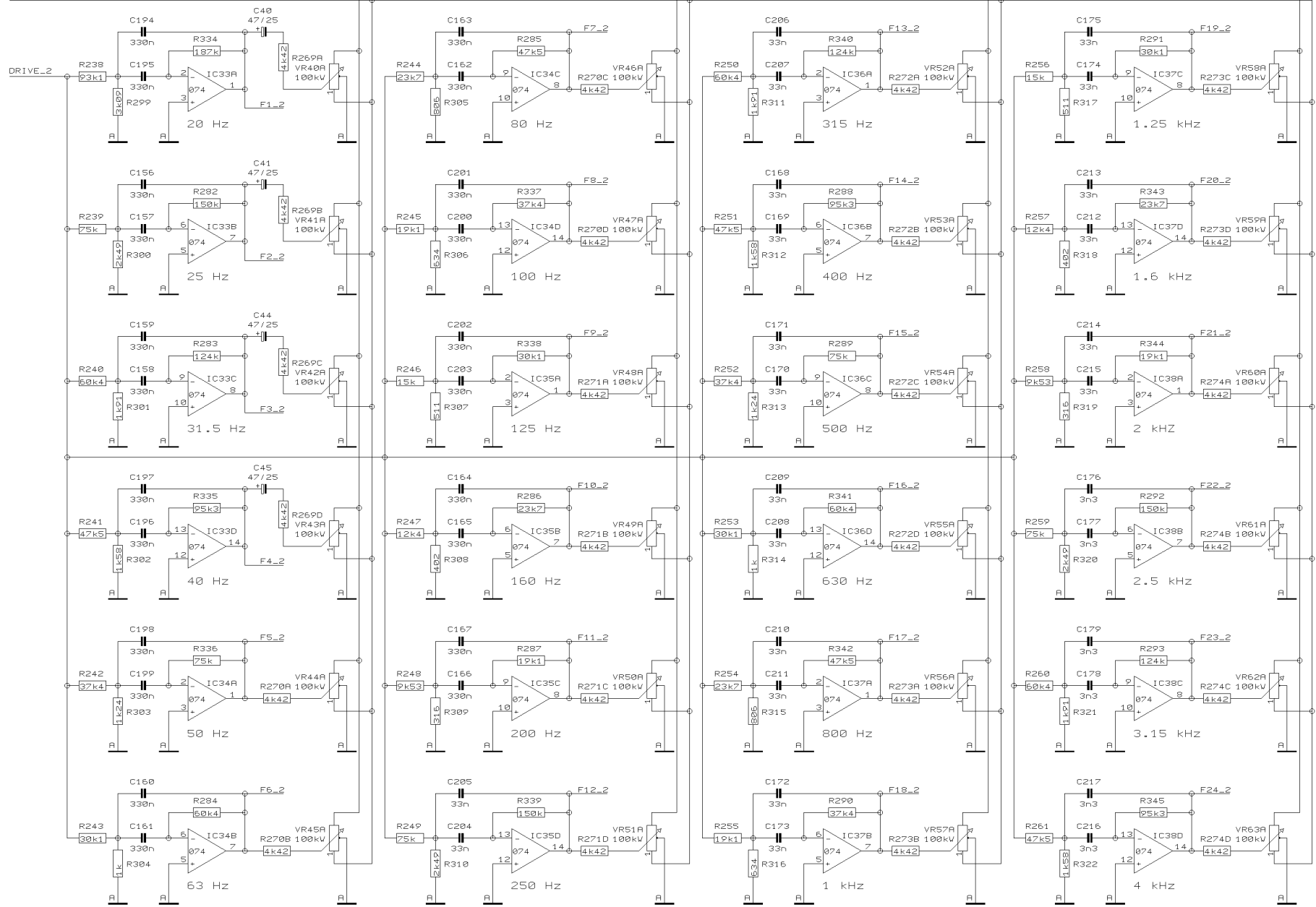


|           |         |          |
|-----------|---------|----------|
| REVISIONS |         |          |
| E         |         |          |
| DRAWN     | CHECKED | DATE     |
| BHK       |         | 27.11. 3 |
|           |         | 11:45    |



PROJECT  
 FB06200  
 ULTRA-GRAPH FBO PRO  
 CHANNEL\_2  
 SHEET 5 OF 7 SHEETS TOTAL

BOOST\_2  
CUT\_2



REVISIONS

E

DRAWN

BHK

CHECKED

DATE

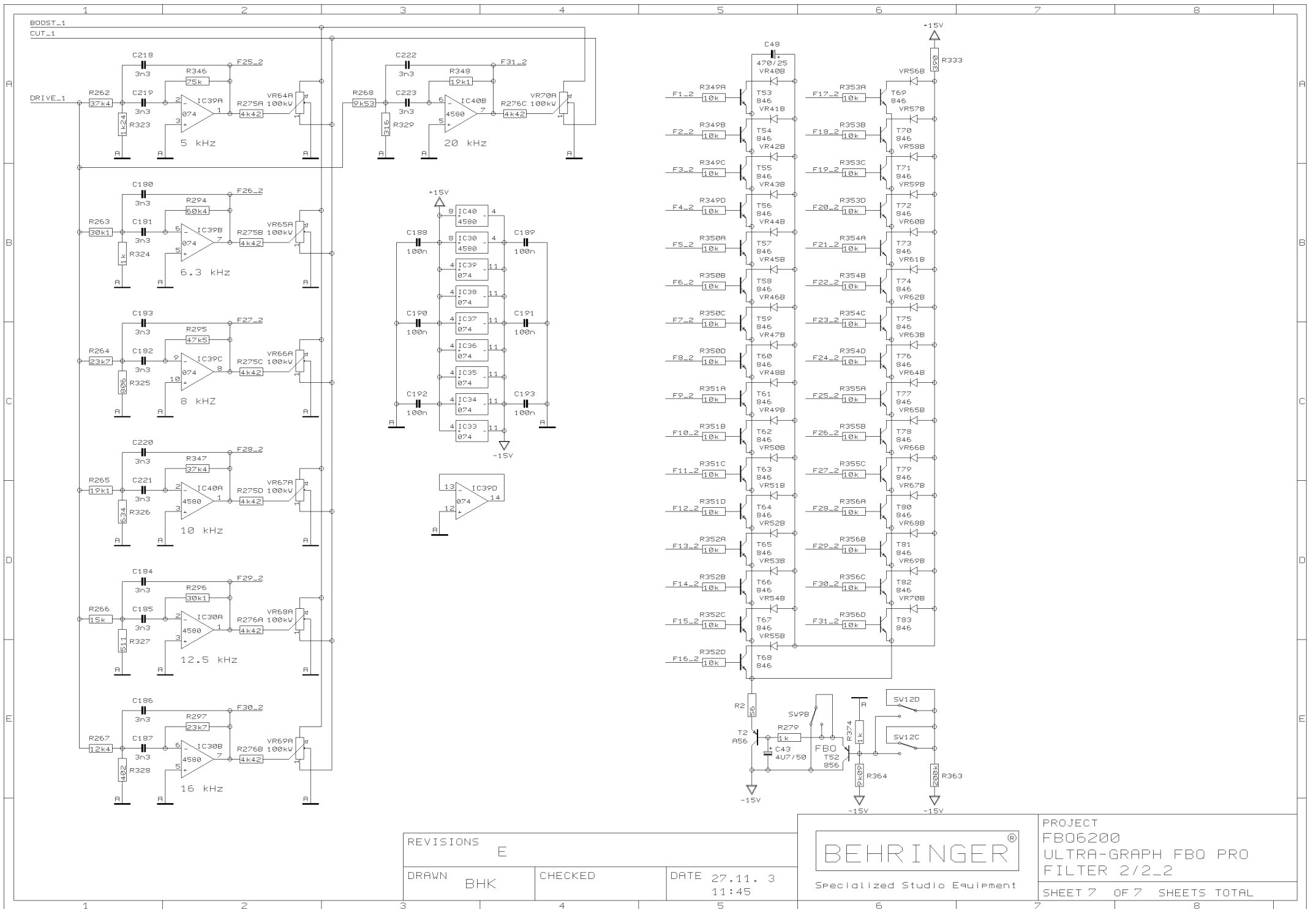
27.11. 3  
11:45



Specialized Studio Equipment

PROJECT  
FB06200  
ULTRA-GRAPH FBO PRO  
FILTER 2/2\_1

SHEET 6 OF 7 SHEETS TOTAL



|           |     |         |                        |
|-----------|-----|---------|------------------------|
| REVISIONS |     | E       |                        |
| DRAWN     | BHK | CHECKED | DATE 27.11. 3<br>11:45 |



PROJECT  
FB06200  
ULTRA-GRAPH FBQ PRO  
FILTER 2/2\_2  
SHEET 7 OF 7 SHEETS TOTAL