

REVISIONS

E

DRAWN

CHECKED

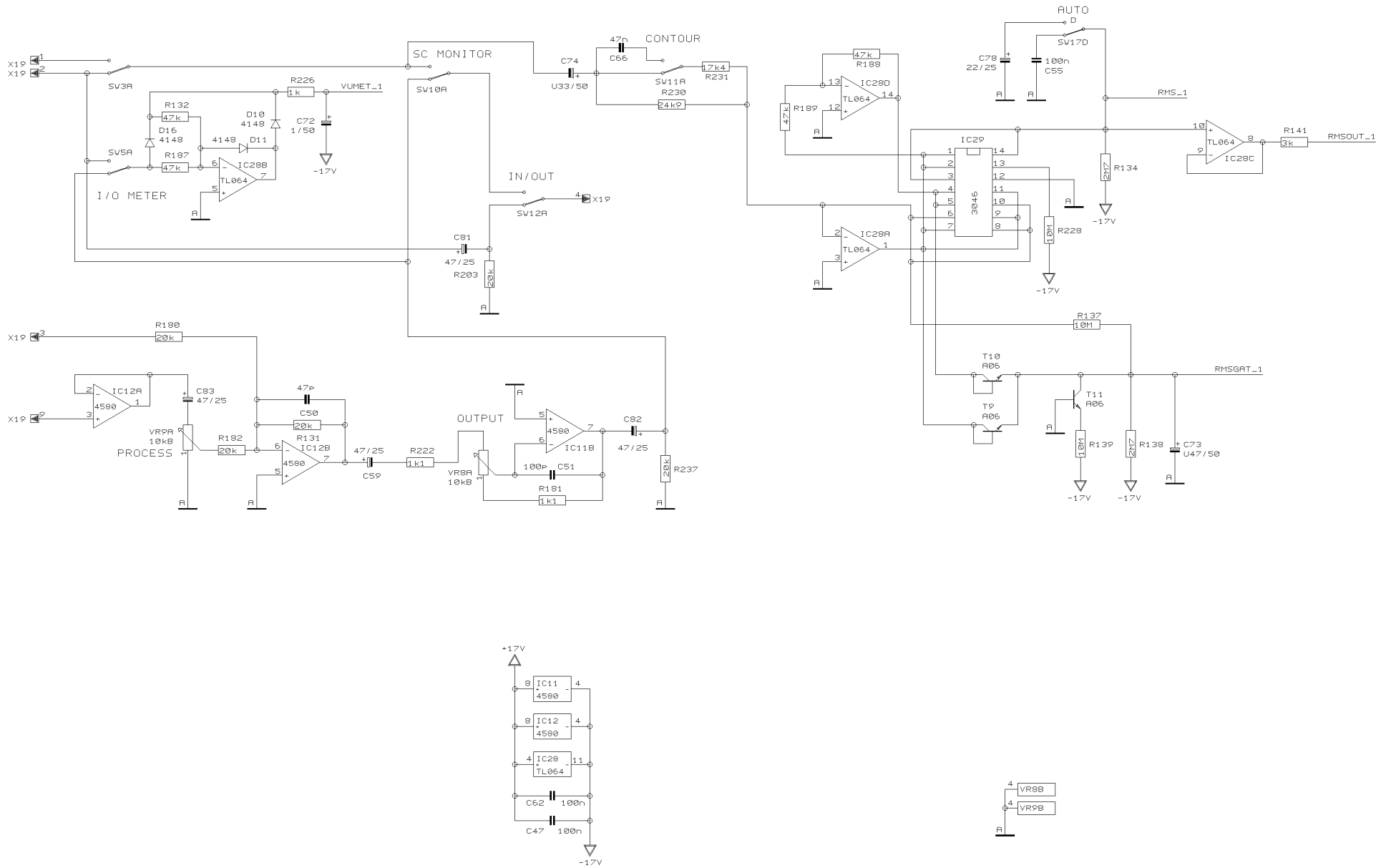
DATE 16.02. 1
9:07

BEHRINGER®

Specialized Studio Equipment

PROJECT
MDX1400
INPUT/OUTPUT SECTION
CHANNEL 2

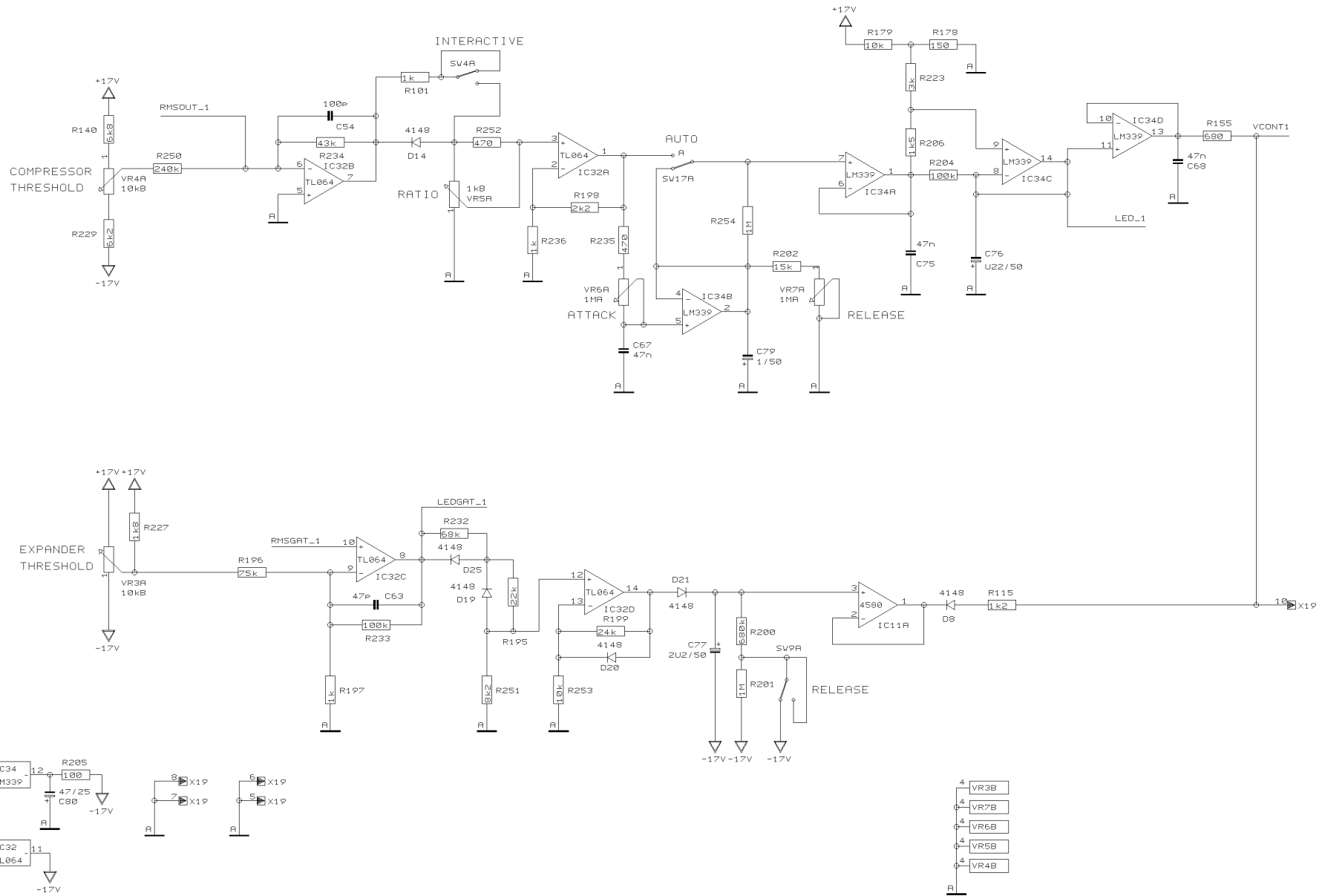
SHEET 2 OF 8 SHEETS TOTAL



REVISIONS		
E		
DRAWN	CHECKED	DATE 16.02. 1 9:07



PROJECT MDX1400 RMS / ENHANCER CHANNEL 1
SHEET 3 OF 8 SHEETS TOTAL



REVISIONS

E

DRAWN

CHECKED

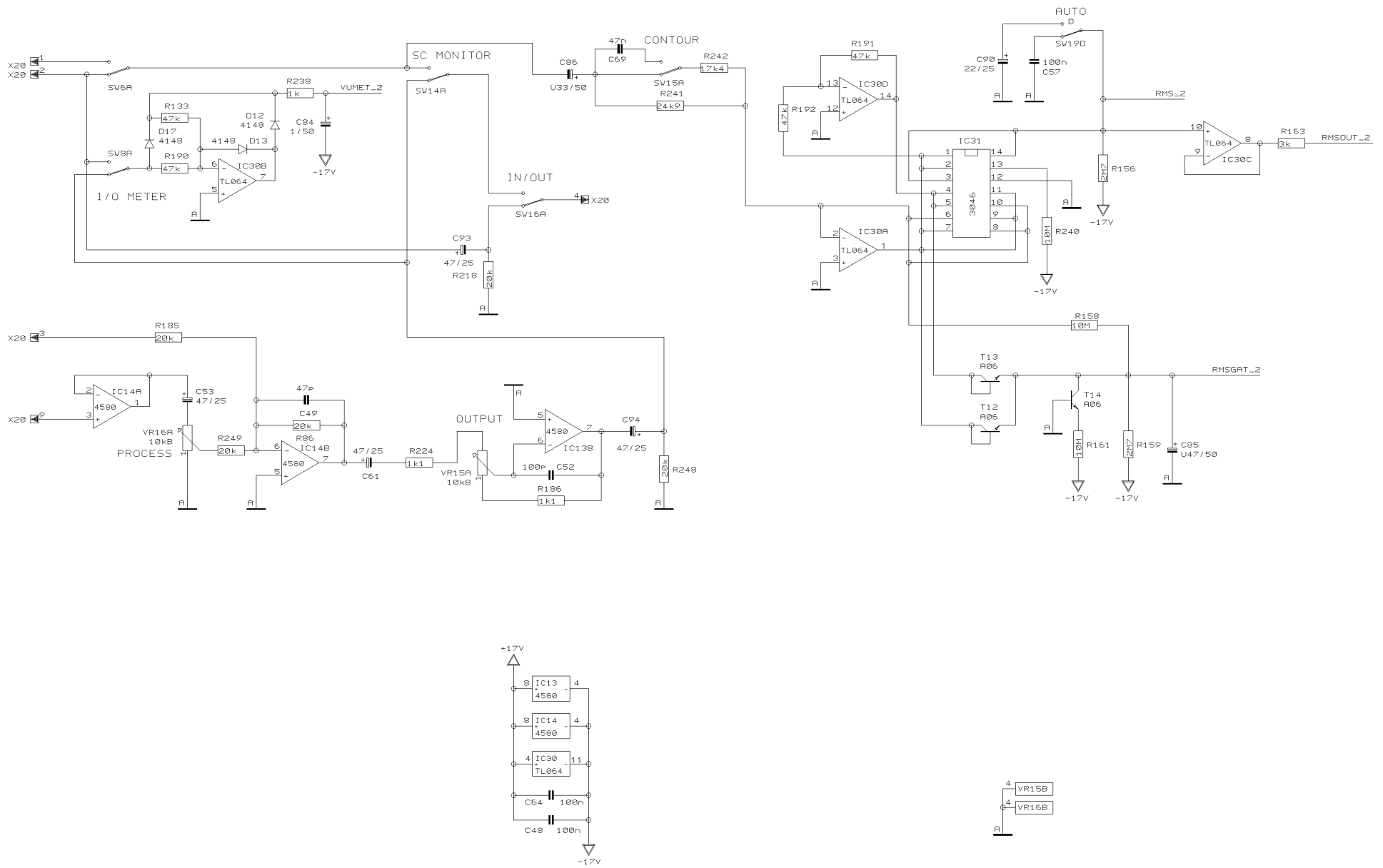
DATE 16.02. 1
9:07

BEHRINGER®

Specialized Studio Equipment

PROJECT
MDX1400
COMPRESSOR/EXPANDER
CHANNEL 1

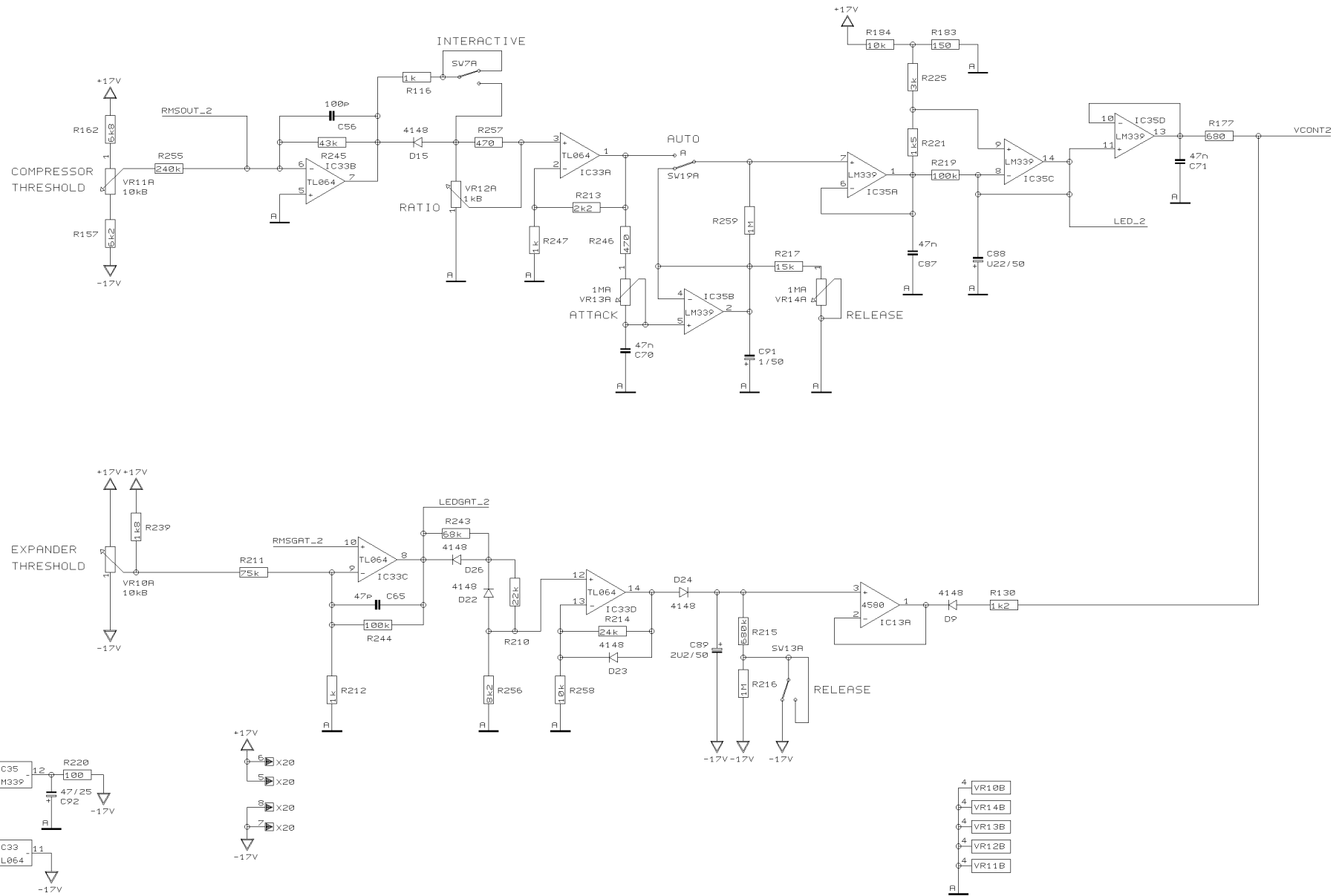
SHEET 4 OF 8 SHEETS TOTAL



REVISIONS		
E		
DRAWN	CHECKED	DATE 16.02. 19:07



PROJECT	MDX1400
RMS / ENHANCER	CHANNEL 2
SHEET 5 OF 8 SHEETS TOTAL	



REVISIONS

E

DRAWN

CHECKED

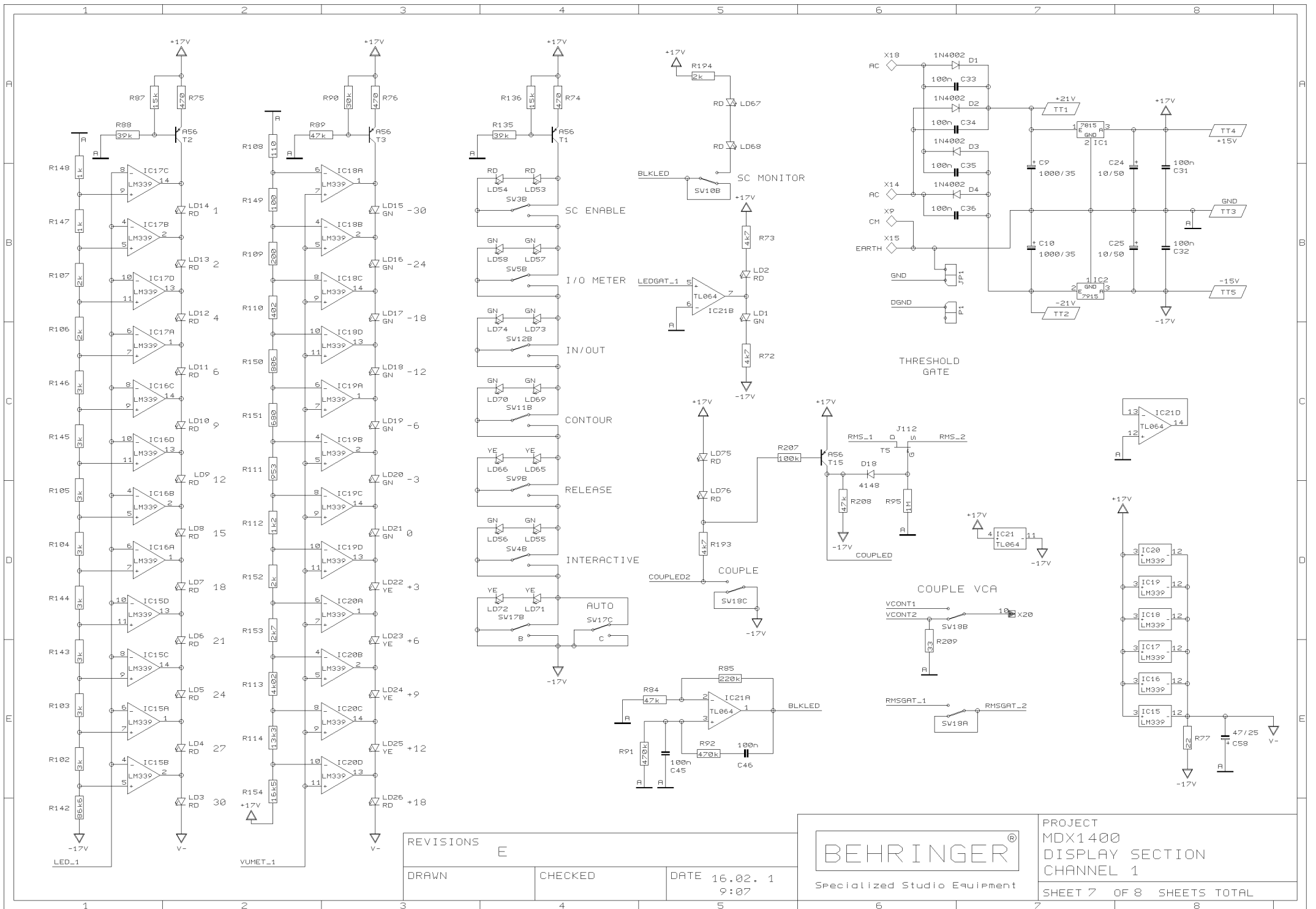
DATE 16.02. 1
9:07

BEHRINGER®

Specialized Studio Equipment

PROJECT
MDX1400
COMPRESSOR/EXPANDER
CHANNEL 2

SHEET 6 OF 8 SHEETS TOTAL



REVISIONS

E

DRAWN

CHECKED

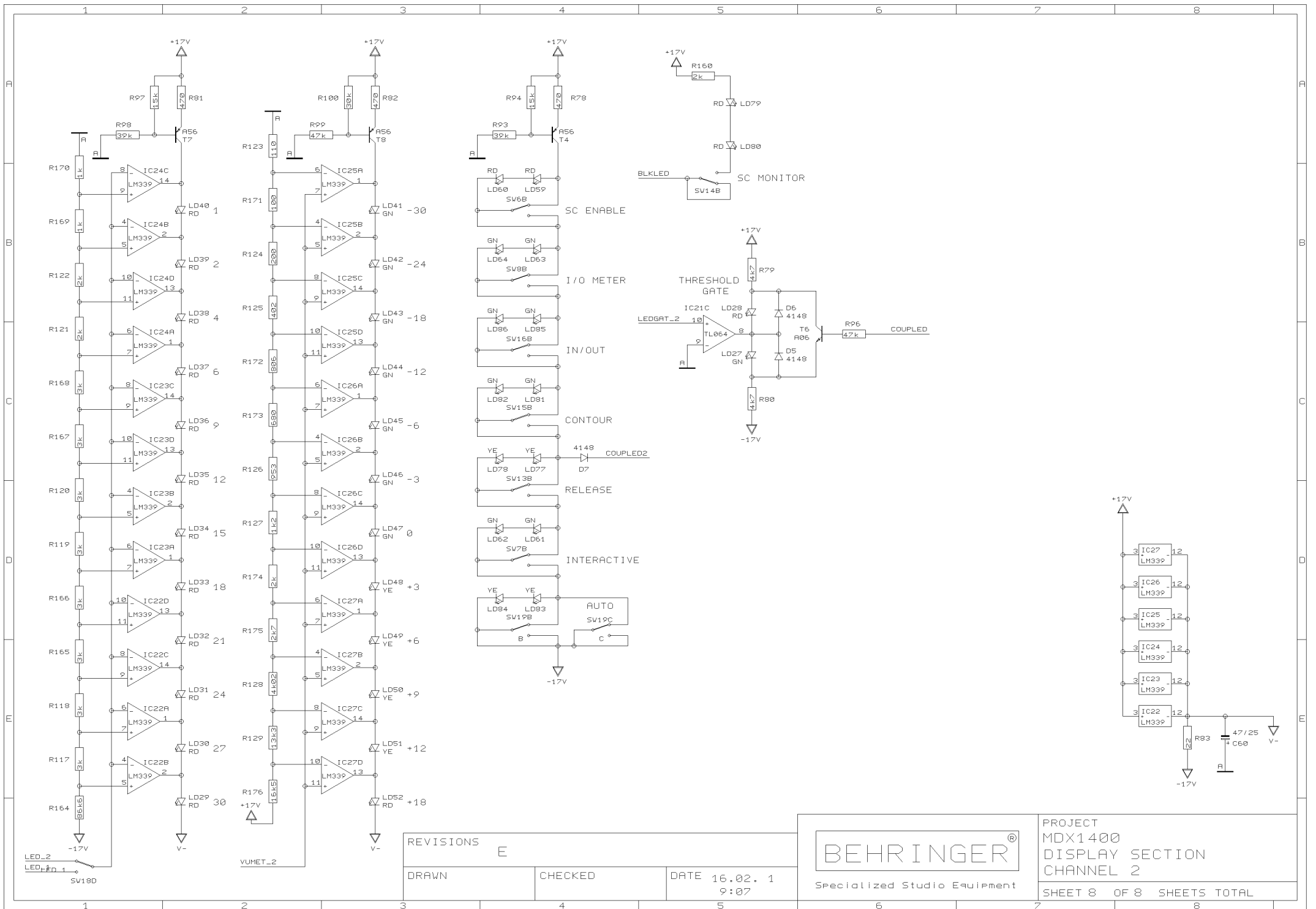
DATE 16.02. 1
9:07

BEHRINGER[®]

Specialized Studio Equipment

PROJECT
MDX1400
DISPLAY SECTION
CHANNEL 1

SHEET 7 OF 8 SHEETS TOTAL



REVISIONS

DRAWN

CHECKED

DATE 16.02. 1
9:07



PROJECT
MDX1400
DISPLAY SECTION
CHANNEL 2

SHEET 8 OF 8 SHEETS TOTAL