

REVISIONS C

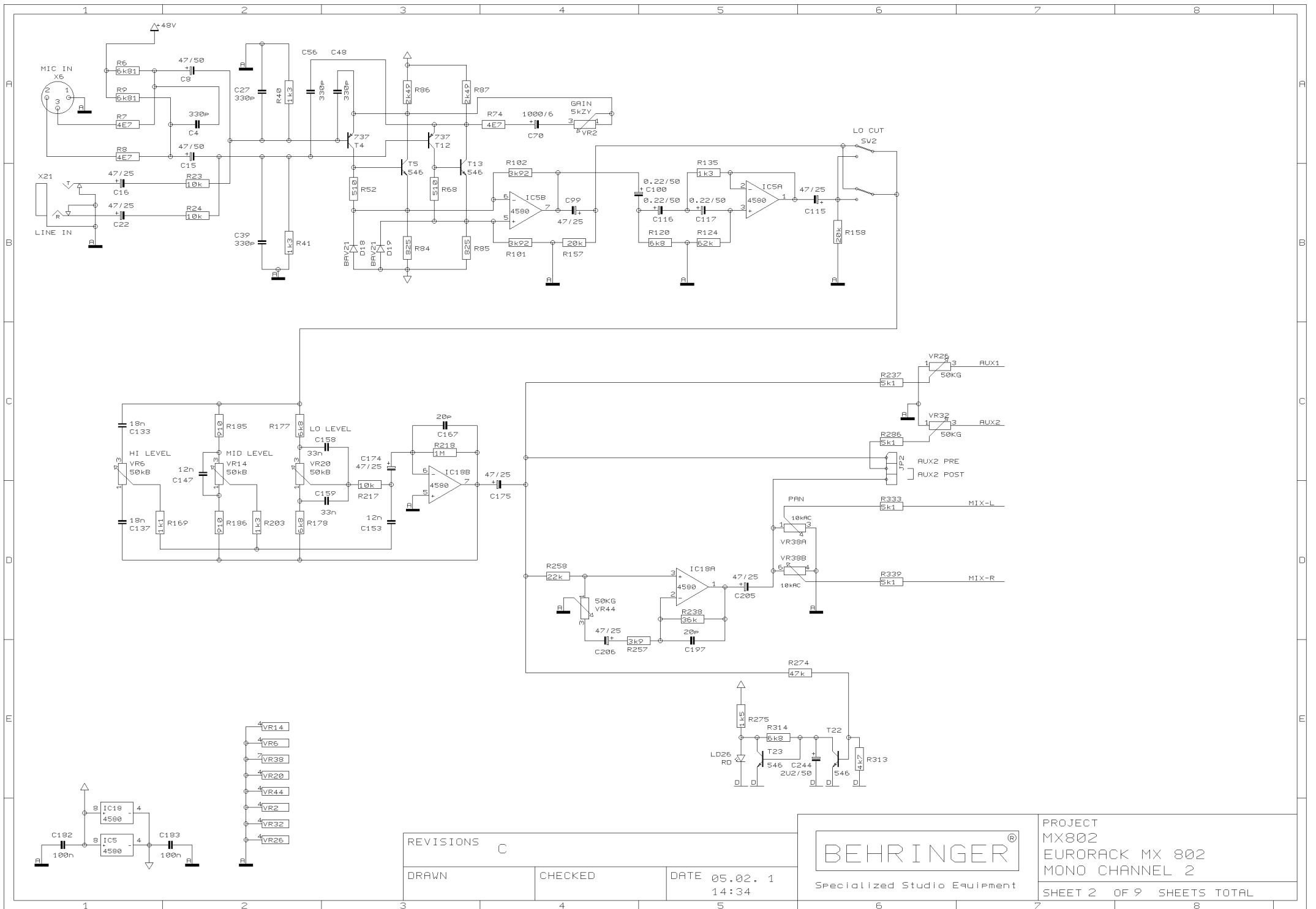
DRAWN

CHECKED

DATE 05.02. 1
14:34



PROJECT
MX802
EURORACK MX 802
MONO CHANNEL 1
SHEET 1 OF 9 SHEETS TOTAL



REVISIONS C

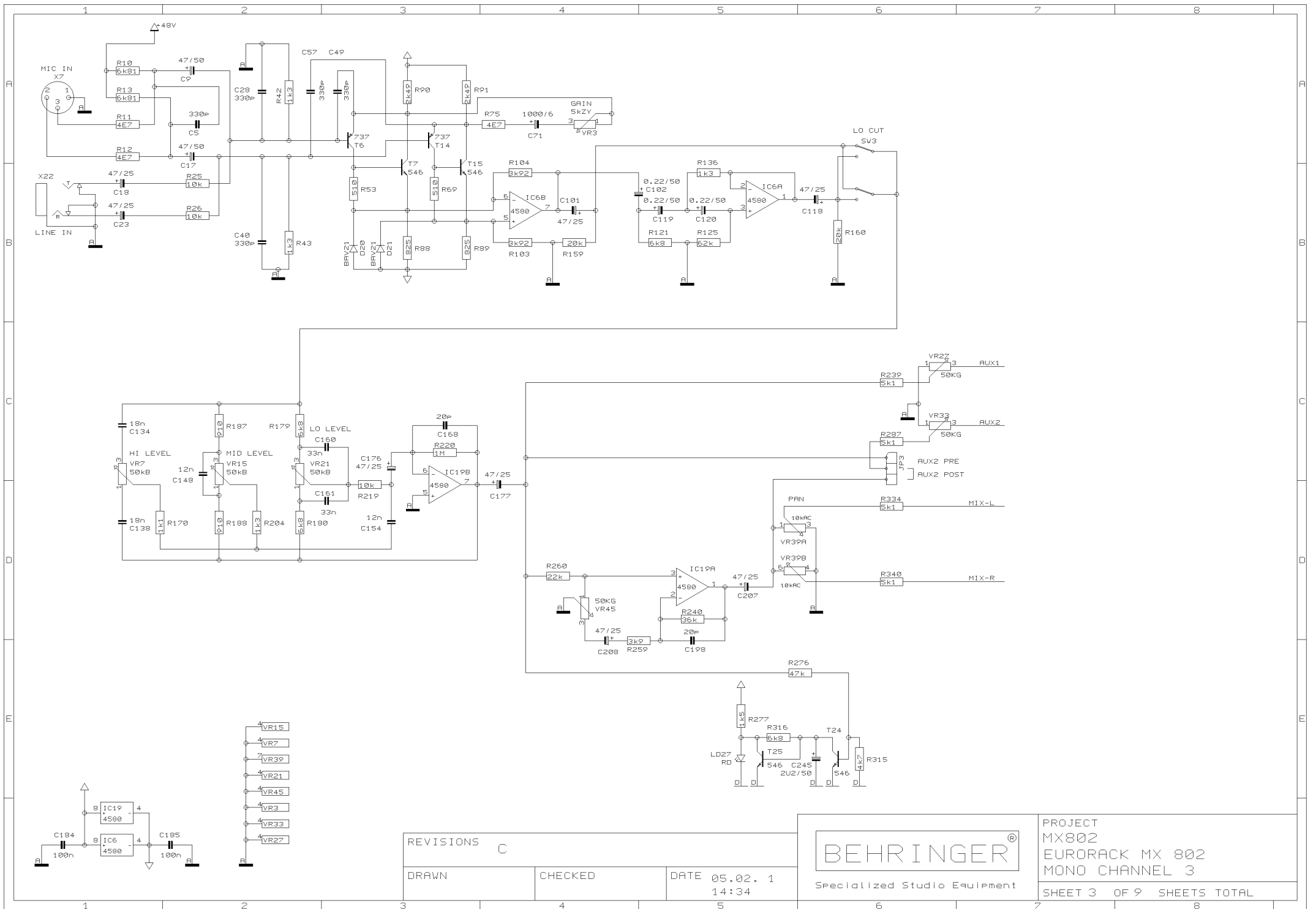
DRAWN

CHECKED

DATE 05.02. 1
14:34



PROJECT
MX802
EURORACK MX 802
MONO CHANNEL 2
SHEET 2 OF 9 SHEETS TOTAL



REVISIONS C

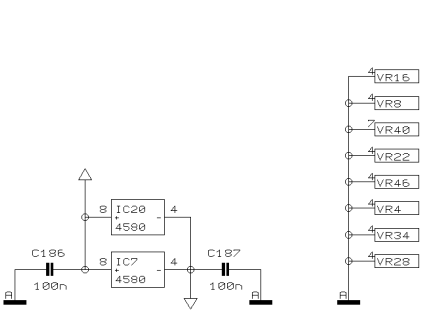
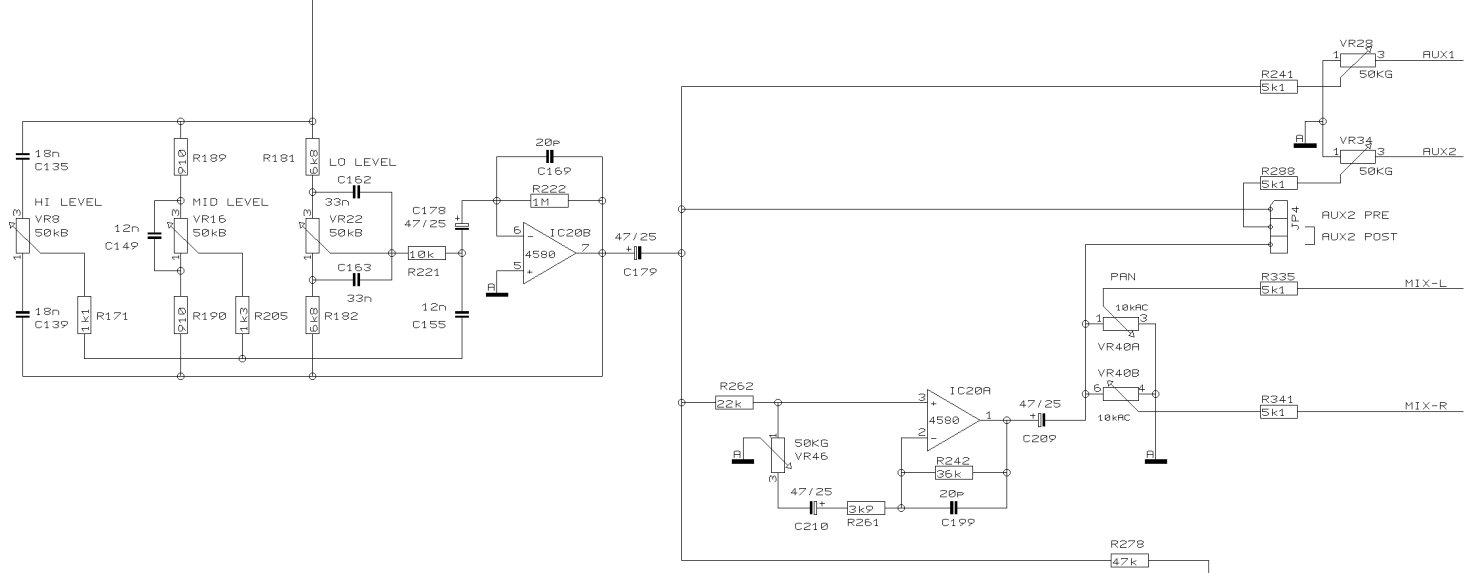
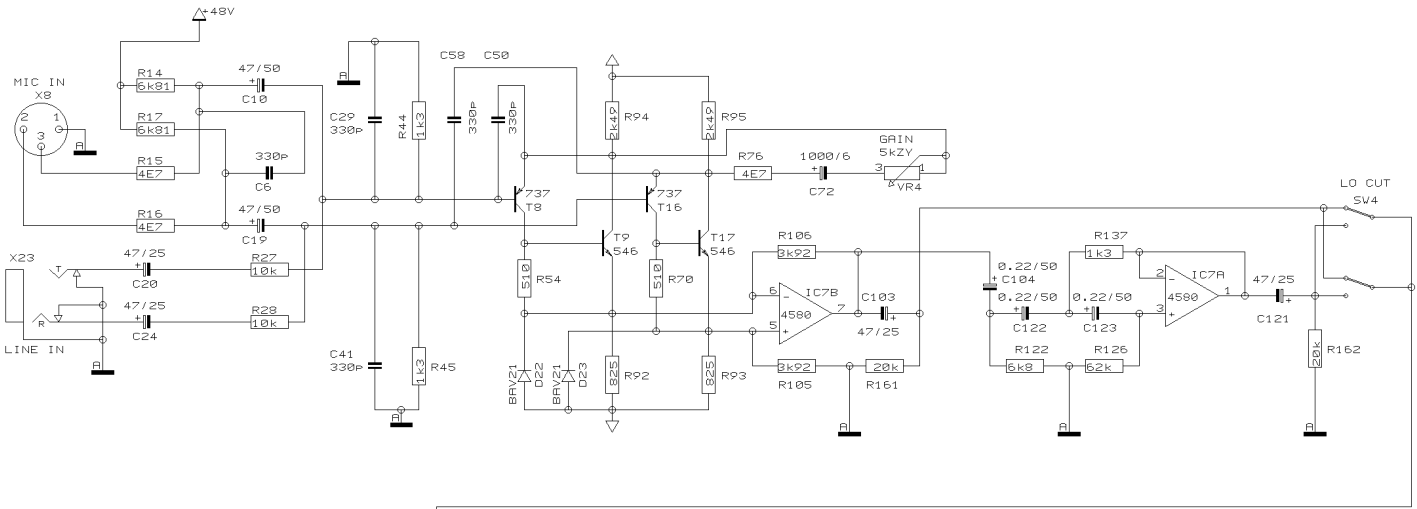
DRAWN

CHECKED

DATE 05.02. 1
14:34



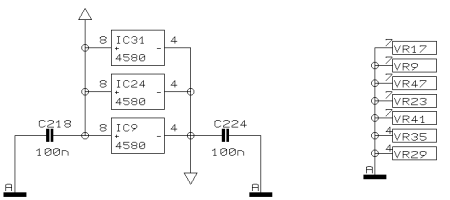
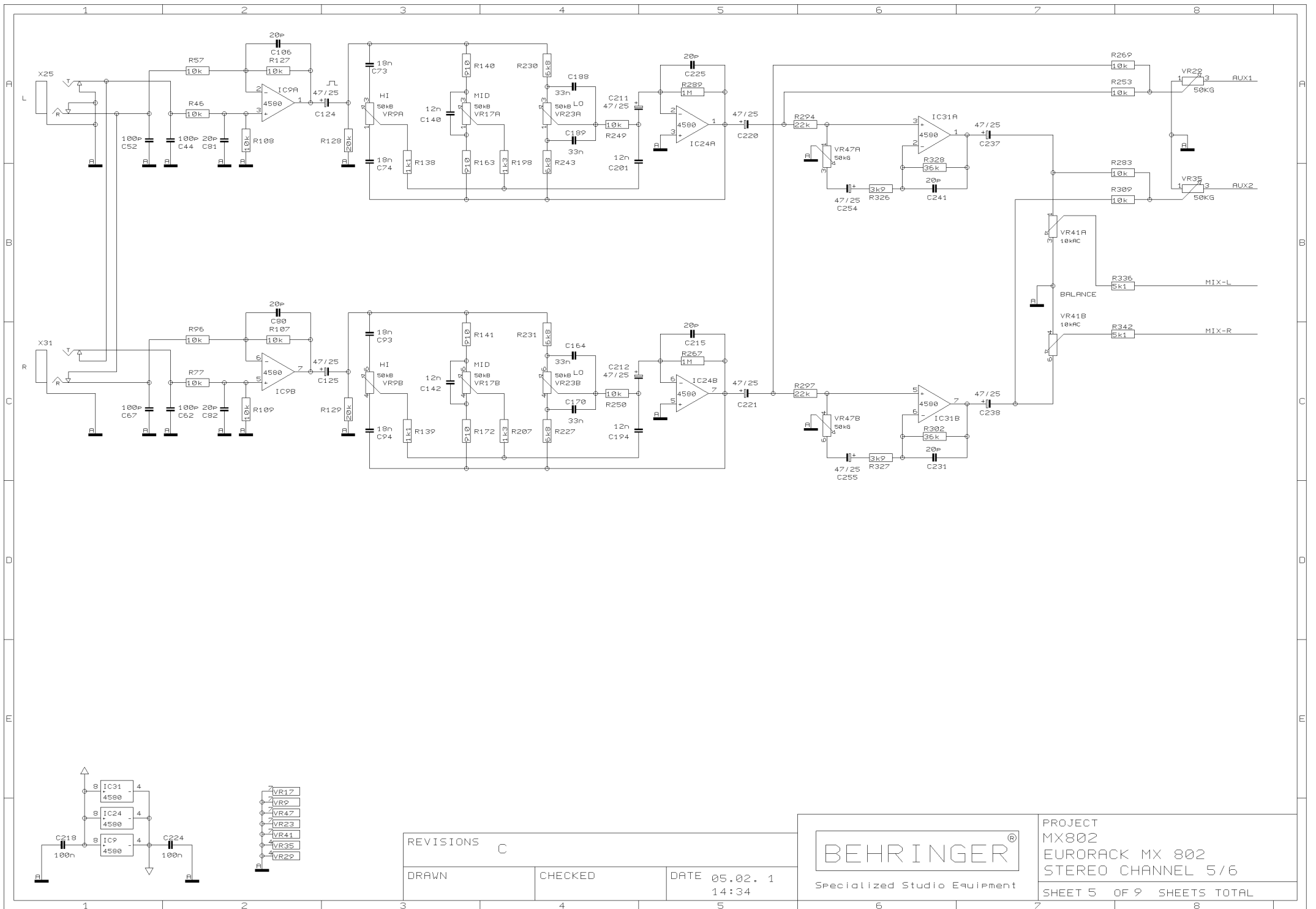
PROJECT
MX802
EURORACK MX 802
MONO CHANNEL 3
SHEET 3 OF 9 SHEETS TOTAL



REVISIONS		
C		
DRAWN	CHECKED	DATE 05.02. 14:34



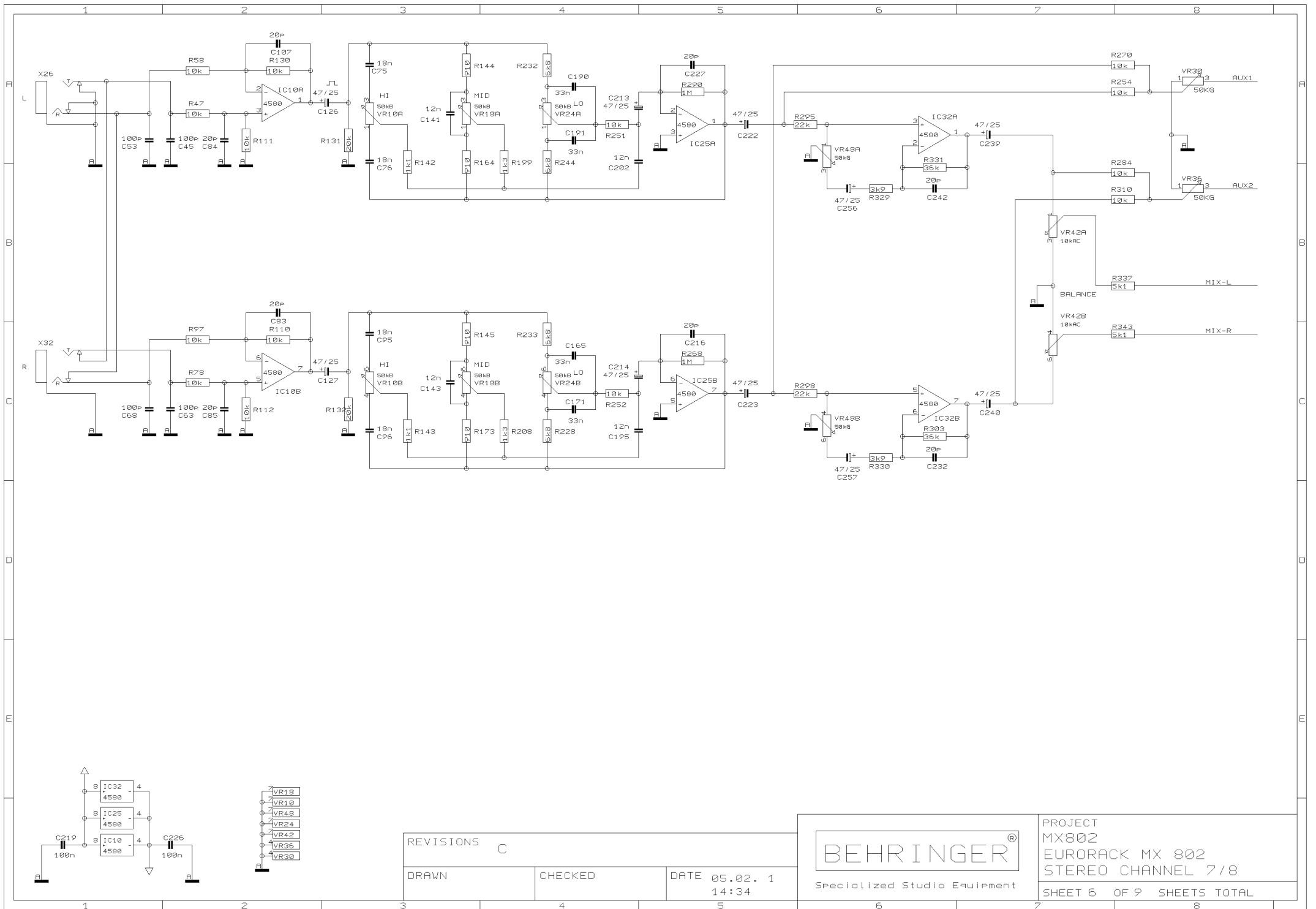
PROJECT	MX802
EURORACK	MX 802
MONO CHANNEL	4
SHEET 4	OF 9 SHEETS TOTAL



REVISIONS		
C		
DRAWN	CHECKED	DATE 05.02. 1 14:34



PROJECT
MX802
EURORACK MX 802
STEREO CHANNEL 5/6
SHEET 5 OF 9 SHEETS TOTAL



REVISIONS C

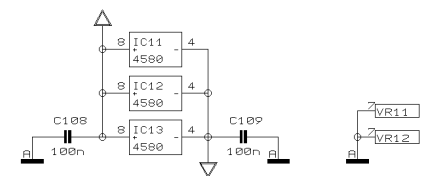
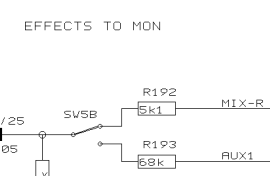
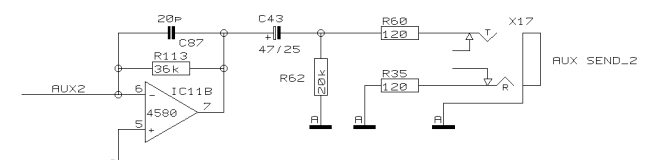
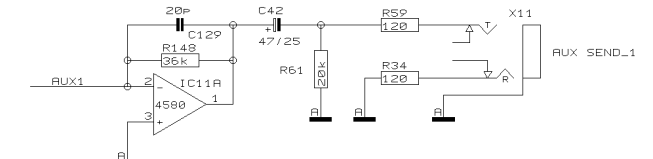
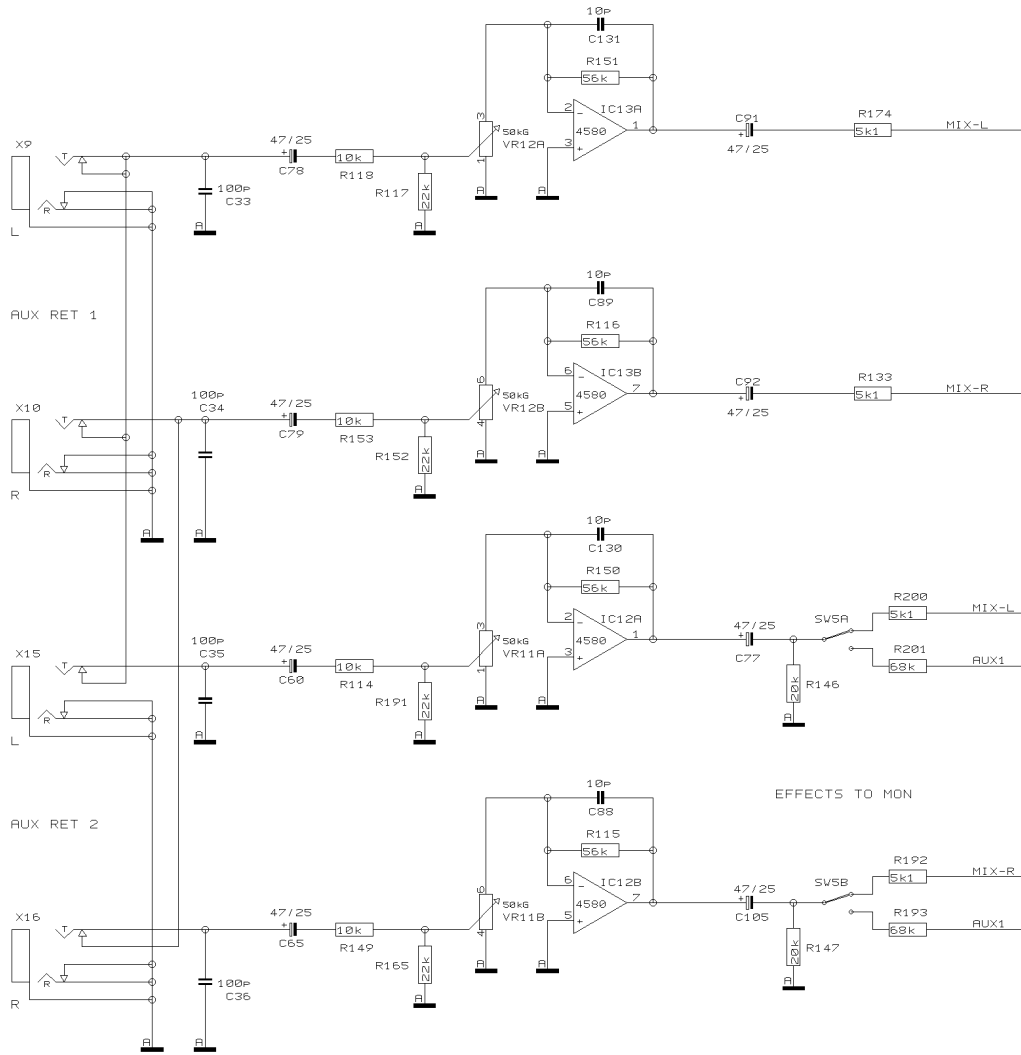
DRAWN

CHECKED

DATE 05.02. 1
14:34



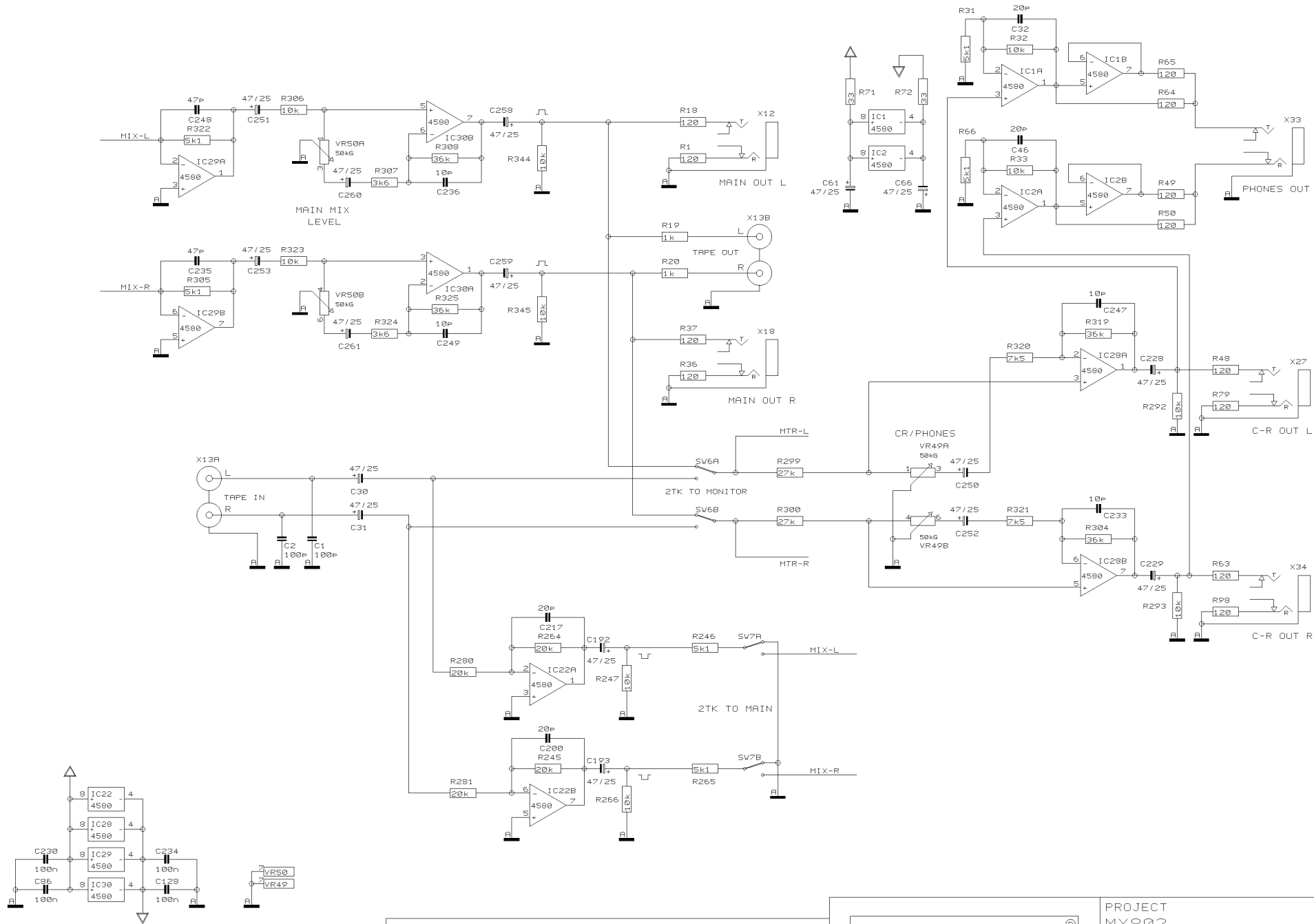
PROJECT
MX802
EURORACK MX 802
STEREO CHANNEL 7/8
SHEET 6 OF 9 SHEETS TOTAL



REVISIONS		
C		
DRAWN	CHECKED	DATE 05.02. 1 14:34



PROJECT
MX802
EURORACK MX 802
AUX SENDS & AUX RETURNS
SHEET 7 OF 9 SHEETS TOTAL



REVISIONS C

DRAWN

CHECKED

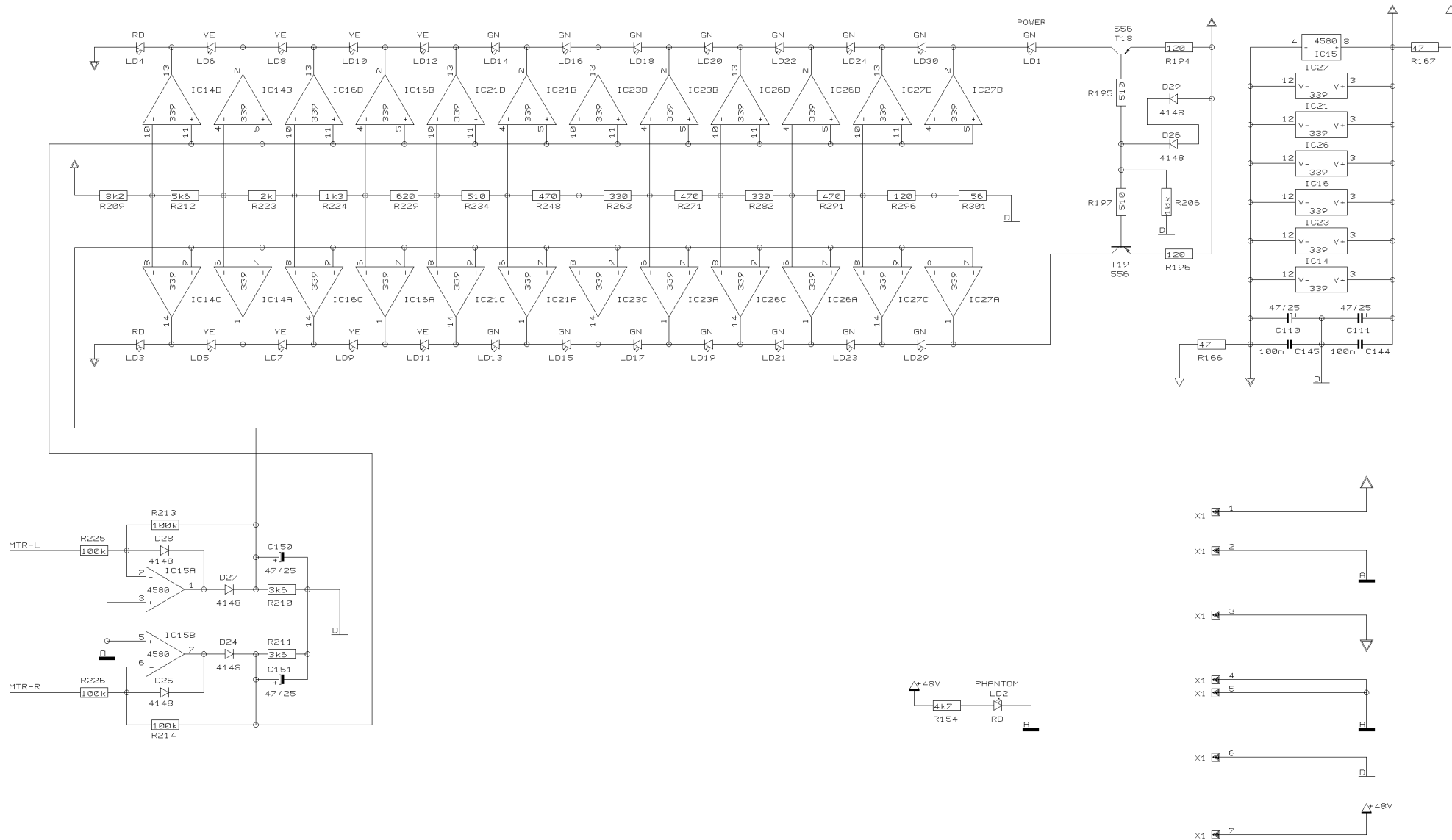
DATE 05.02. 1
14:34

BEHRINGER®

Specialized Studio Equipment

PROJECT
MX802
EURORACK MX 802
MAIN SECTION

SHEET 8 OF 9 SHEETS TOTAL



REVISIONS C

DRAWN

CHECKED

DATE 05.02. 1
14:34

BEHRINGER®

Specialized Studio Equipment

PROJECT
MX802
EURORACK MX 802
LED BARS

SHEET 9 OF 9 SHEETS TOTAL