

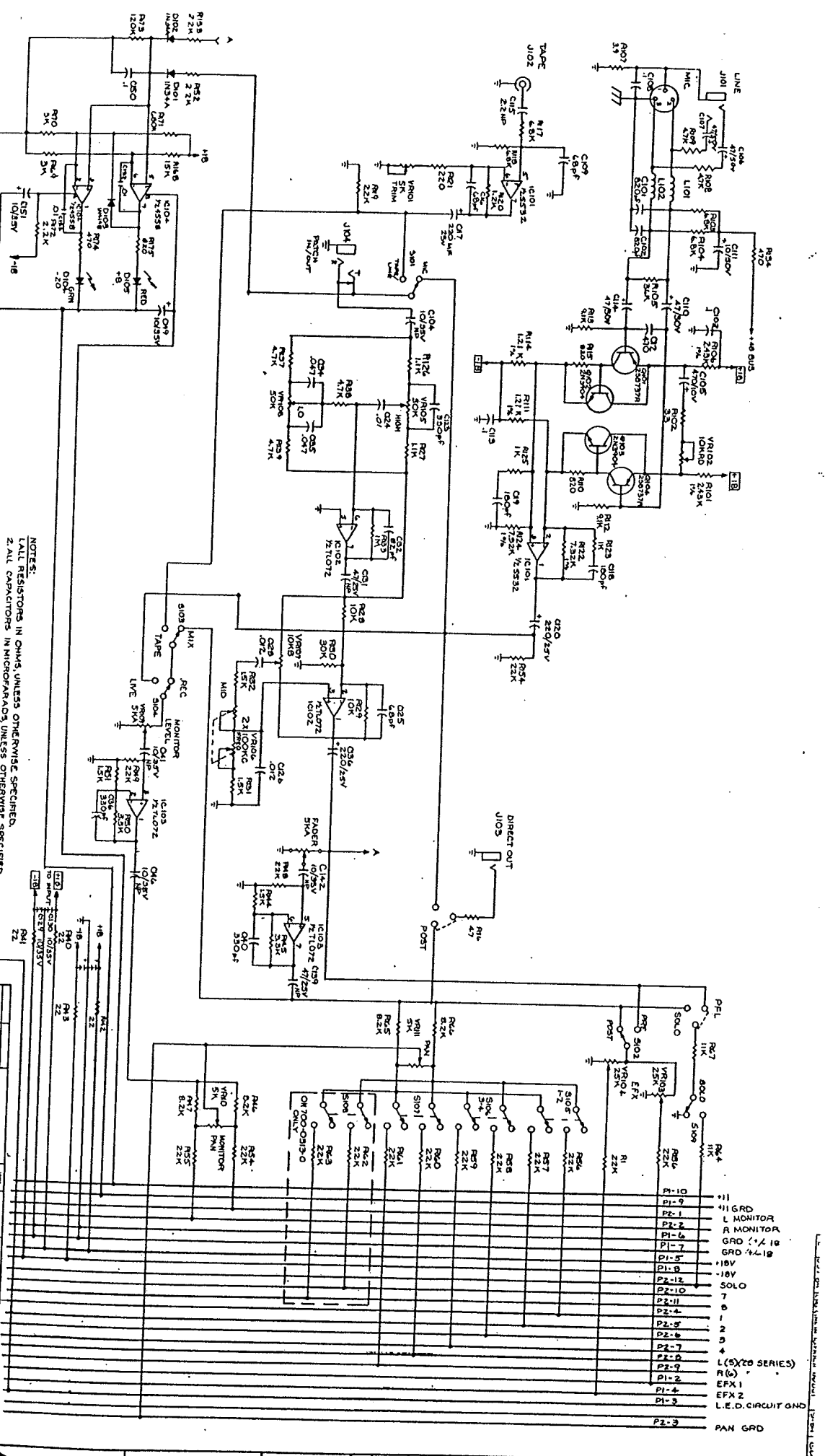
24/28 Series Mixing Console

Schematic



10074 SW Arctic Drive Beaverton, OR 97005 503-641-7287

100% TESTED AND BURNED IN
 ALL PARTS ARE NEW UNLESS OTHERWISE SPECIFIED
 ALL DIMENSIONS ARE IN INCHES UNLESS OTHERWISE SPECIFIED
 ALL PARTS ARE TO BE OBTAINED FROM THE MANUFACTURER'S LISTING
 ALL PARTS ARE TO BE OBTAINED FROM THE MANUFACTURER'S LISTING

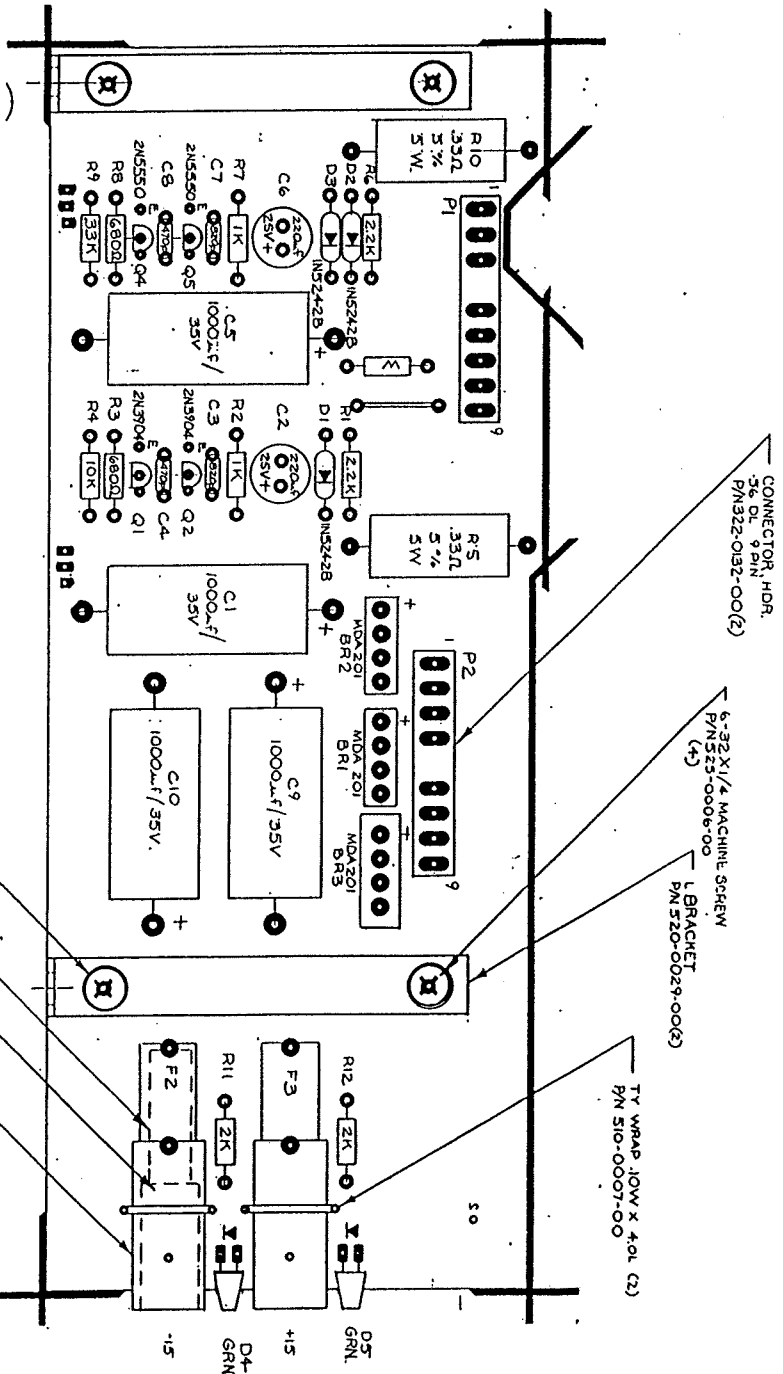


NOTES:
 1. ALL RESISTORS IN OHMS, UNLESS OTHERWISE SPECIFIED.
 2. ALL CAPACITORS IN MICROFARADS, UNLESS OTHERWISE SPECIFIED.

ITEM	QTY	DESCRIPTION
1	1	6X4
2	1	6AV6
3	1	6X5
4	1	6X6
5	1	6X7
6	1	6X8
7	1	6X9
8	1	6X10
9	1	6X11
10	1	6X12
11	1	6X13
12	1	6X14
13	1	6X15
14	1	6X16
15	1	6X17
16	1	6X18
17	1	6X19
18	1	6X20
19	1	6X21
20	1	6X22
21	1	6X23
22	1	6X24
23	1	6X25
24	1	6X26
25	1	6X27
26	1	6X28
27	1	6X29
28	1	6X30
29	1	6X31
30	1	6X32
31	1	6X33
32	1	6X34
33	1	6X35
34	1	6X36
35	1	6X37
36	1	6X38
37	1	6X39
38	1	6X40
39	1	6X41
40	1	6X42
41	1	6X43
42	1	6X44
43	1	6X45
44	1	6X46
45	1	6X47
46	1	6X48
47	1	6X49
48	1	6X50
49	1	6X51
50	1	6X52
51	1	6X53
52	1	6X54
53	1	6X55
54	1	6X56
55	1	6X57
56	1	6X58
57	1	6X59
58	1	6X60
59	1	6X61
60	1	6X62
61	1	6X63
62	1	6X64
63	1	6X65
64	1	6X66
65	1	6X67
66	1	6X68
67	1	6X69
68	1	6X70
69	1	6X71
70	1	6X72
71	1	6X73
72	1	6X74
73	1	6X75
74	1	6X76
75	1	6X77
76	1	6X78
77	1	6X79
78	1	6X80
79	1	6X81
80	1	6X82
81	1	6X83
82	1	6X84
83	1	6X85
84	1	6X86
85	1	6X87
86	1	6X88
87	1	6X89
88	1	6X90
89	1	6X91
90	1	6X92
91	1	6X93
92	1	6X94
93	1	6X95
94	1	6X96
95	1	6X97
96	1	6X98
97	1	6X99
98	1	6X100

BIAMP SYSTEMS INC.
 24/28 SERIES
 SCHEMATIC - INPUT
 100% TESTED AND BURNED IN
 ALL PARTS ARE NEW UNLESS OTHERWISE SPECIFIED
 ALL DIMENSIONS ARE IN INCHES UNLESS OTHERWISE SPECIFIED
 ALL PARTS ARE TO BE OBTAINED FROM THE MANUFACTURER'S LISTING
 ALL PARTS ARE TO BE OBTAINED FROM THE MANUFACTURER'S LISTING

THIS DRAWING IS THE PROPERTY OF BIAAMP SYSTEMS INC. AND IS TO BE KEPT IN CONFIDENTIALITY. IT IS TO BE USED ONLY FOR THE PURPOSES SPECIFIED HEREIN. IT IS TO BE KEPT IN CONFIDENTIALITY AND NOT TO BE REPRODUCED OR TRANSMITTED IN ANY FORM OR BY ANY MEANS, ELECTRONIC OR MECHANICAL, INCLUDING PHOTOCOPYING, RECORDING, OR BY ANY INFORMATION STORAGE AND RETRIEVAL SYSTEM. ANY UNAUTHORIZED USE OF THIS DRAWING IS STRICTLY PROHIBITED. BIAAMP SYSTEMS INC. 10/15/22 PCB ASSY.

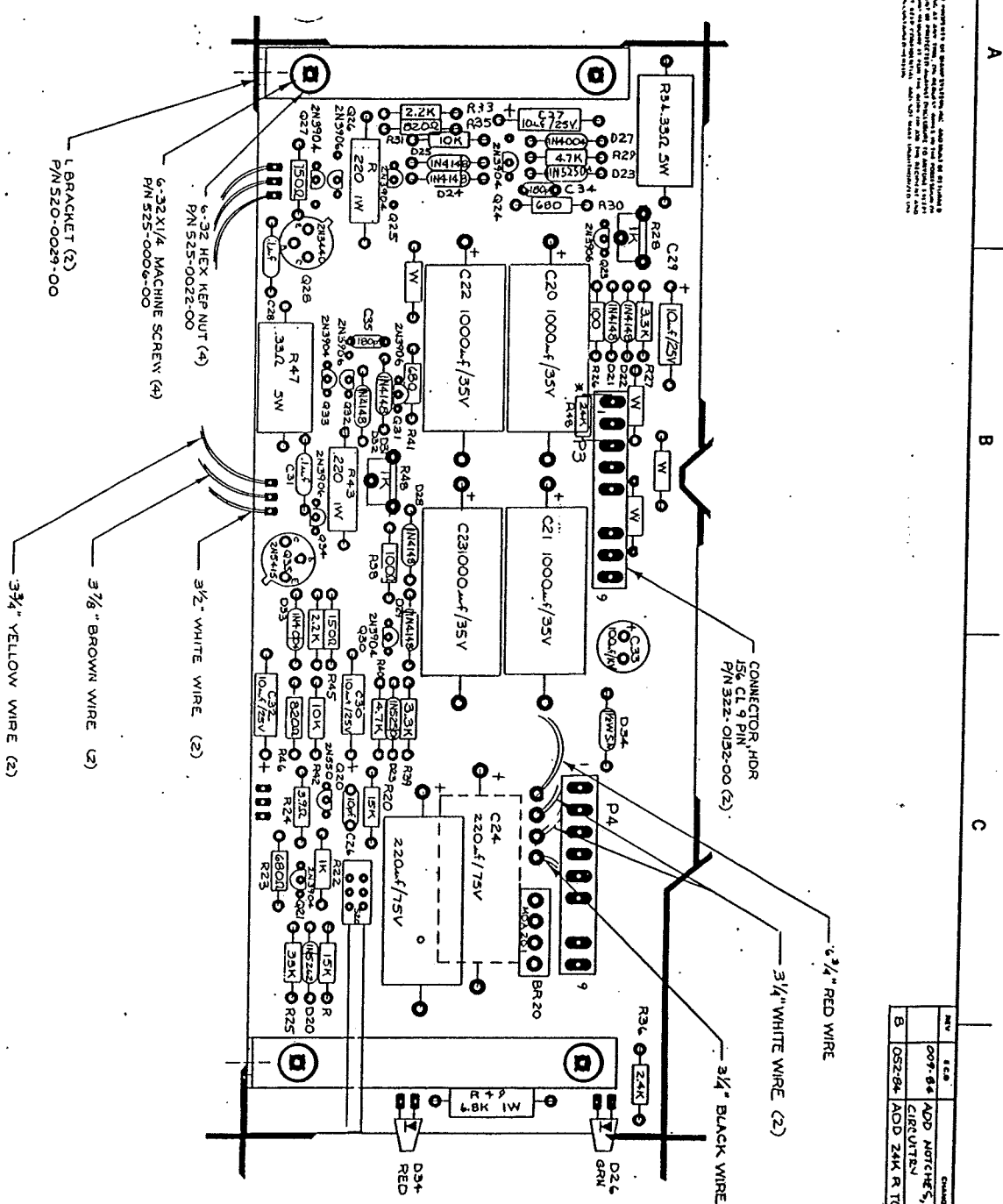


REV	DESCRIPTION	DATE	BY
007-B*	ADDITIONAL REVISE	Z-8*	KVR
	CREATED		

ITEM	PART NO	QUANTITY	DESCRIPTION	UNIT	QTY	QTY
1	PS 80/42	1	PCB ASSY	PCB	1	1
2	FUSE 1A 250V	2	PN 300-0010-00	FUSE	2	2
3	FUSE 1A 250V	2	PN 300-0010-00	FUSE	2	2
4	FUSE 1A 250V	2	PN 300-0010-00	FUSE	2	2
5	TY WRAP .10W X .40L	2	PN 510-0007-00	TY WRAP	2	2
6	L BRACKET	2	PN 520-0029-00	L BRACKET	2	2
7	6-32 X 1/4 MACHINE SCREW	4	PN 523-0006-00	SCREW	4	4
8	CONNECTOR HDR	2	PN 332-012-00	CONNECTOR	2	2

DATE: 10/15/22
 DRAWN BY: [Name]
 CHECKED BY: [Name]
 APPROVED BY: [Name]

Notes: 1. This drawing is the property of BIAMP Systems Inc. and should not be reproduced without the written consent of BIAMP Systems Inc. 2. All dimensions are in inches unless otherwise noted. 3. All tolerances are as shown. 4. All components are to be specified by their manufacturer's part number. 5. All components are to be specified by their manufacturer's part number. 6. All components are to be specified by their manufacturer's part number. 7. All components are to be specified by their manufacturer's part number. 8. All components are to be specified by their manufacturer's part number. 9. All components are to be specified by their manufacturer's part number. 10. All components are to be specified by their manufacturer's part number.



REV	DATE	CHANGED	BY
A	007-88	ADD NOTCHES, REVISE CIRCUITS	TBA
B	08Z-84	ADD ZAK R TO P3	MWR

4

3

1

ADD PADS FOR THIS PART AT THE NEXT PCB ARTWORK CHANGE.

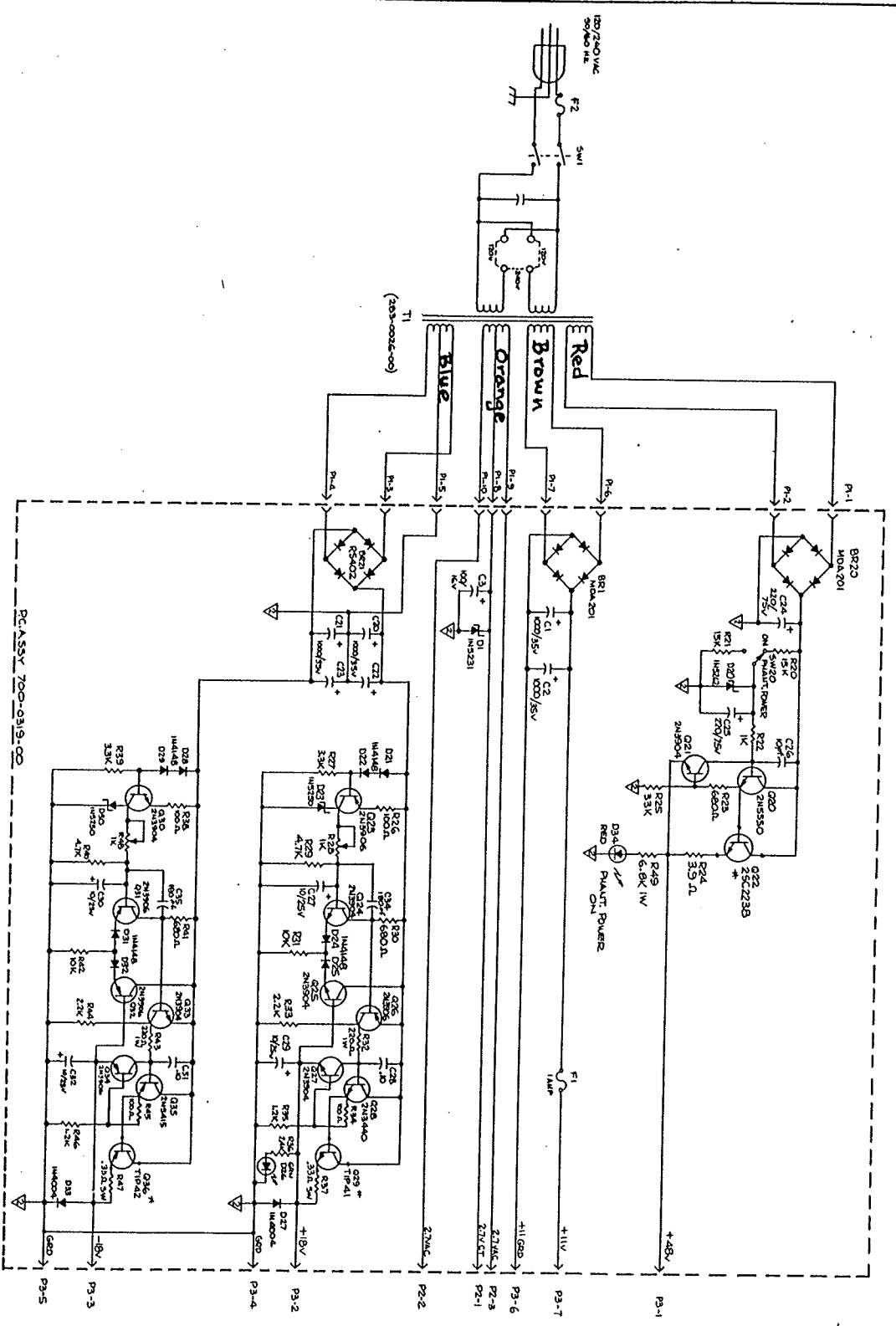
REV	DATE	DESCRIPTION	BY
A	007-88	ADD NOTCHES, REVISE CIRCUITS	TBA
B	08Z-84	ADD ZAK R TO P3	MWR

BIAMP SYSTEMS INC.

PS 80/42 18/48V PCB ASSY

4

THIS DRAWING IS THE PROPERTY OF BIAMP SYSTEMS INC. IT IS TO BE USED ONLY FOR THE PROJECT AND EQUIPMENT SPECIFICALLY IDENTIFIED HEREON. IT IS NOT TO BE REPRODUCED, COPIED, OR TRANSMITTED IN ANY FORM OR BY ANY MEANS, ELECTRONIC OR MECHANICAL, INCLUDING PHOTOCOPYING, RECORDING, OR BY ANY INFORMATION STORAGE AND RETRIEVAL SYSTEM. ANY UNAUTHORIZED USE OF THIS DRAWING IS STRICTLY PROHIBITED. BIAMP SYSTEMS INC. 247A CROFTS

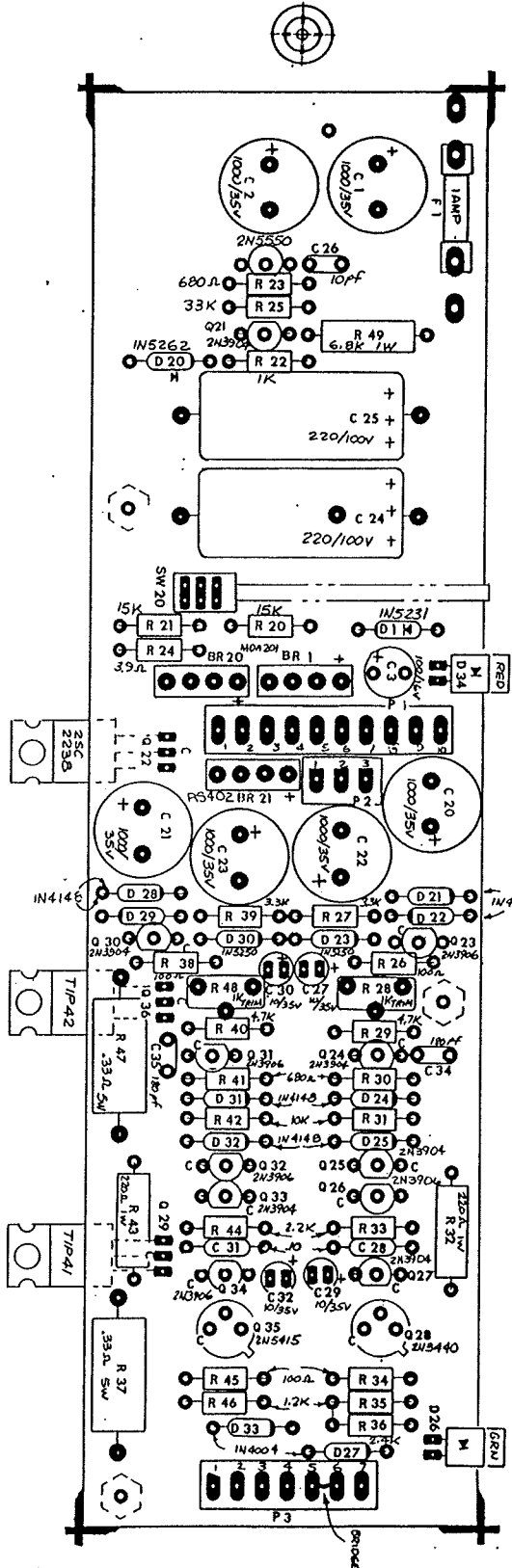


PC ASSY 700-0319-00

REV	DATE	DESCRIPTION
1	04/18/00	INITIAL DESIGN
2	05/18/00	REVISED TO ADD COMPONENTS
3	06/18/00	REVISED TO ADD COMPONENTS
4	07/18/00	REVISED TO ADD COMPONENTS
5	08/18/00	REVISED TO ADD COMPONENTS
6	09/18/00	REVISED TO ADD COMPONENTS
7	10/18/00	REVISED TO ADD COMPONENTS
8	11/18/00	REVISED TO ADD COMPONENTS
9	12/18/00	REVISED TO ADD COMPONENTS
10	01/18/01	REVISED TO ADD COMPONENTS
11	02/18/01	REVISED TO ADD COMPONENTS
12	03/18/01	REVISED TO ADD COMPONENTS
13	04/18/01	REVISED TO ADD COMPONENTS
14	05/18/01	REVISED TO ADD COMPONENTS
15	06/18/01	REVISED TO ADD COMPONENTS
16	07/18/01	REVISED TO ADD COMPONENTS
17	08/18/01	REVISED TO ADD COMPONENTS
18	09/18/01	REVISED TO ADD COMPONENTS
19	10/18/01	REVISED TO ADD COMPONENTS
20	11/18/01	REVISED TO ADD COMPONENTS
21	12/18/01	REVISED TO ADD COMPONENTS
22	01/18/02	REVISED TO ADD COMPONENTS
23	02/18/02	REVISED TO ADD COMPONENTS
24	03/18/02	REVISED TO ADD COMPONENTS
25	04/18/02	REVISED TO ADD COMPONENTS
26	05/18/02	REVISED TO ADD COMPONENTS
27	06/18/02	REVISED TO ADD COMPONENTS
28	07/18/02	REVISED TO ADD COMPONENTS
29	08/18/02	REVISED TO ADD COMPONENTS
30	09/18/02	REVISED TO ADD COMPONENTS
31	10/18/02	REVISED TO ADD COMPONENTS
32	11/18/02	REVISED TO ADD COMPONENTS
33	12/18/02	REVISED TO ADD COMPONENTS
34	01/18/03	REVISED TO ADD COMPONENTS
35	02/18/03	REVISED TO ADD COMPONENTS
36	03/18/03	REVISED TO ADD COMPONENTS
37	04/18/03	REVISED TO ADD COMPONENTS
38	05/18/03	REVISED TO ADD COMPONENTS
39	06/18/03	REVISED TO ADD COMPONENTS
40	07/18/03	REVISED TO ADD COMPONENTS
41	08/18/03	REVISED TO ADD COMPONENTS
42	09/18/03	REVISED TO ADD COMPONENTS
43	10/18/03	REVISED TO ADD COMPONENTS
44	11/18/03	REVISED TO ADD COMPONENTS
45	12/18/03	REVISED TO ADD COMPONENTS
46	01/18/04	REVISED TO ADD COMPONENTS
47	02/18/04	REVISED TO ADD COMPONENTS
48	03/18/04	REVISED TO ADD COMPONENTS
49	04/18/04	REVISED TO ADD COMPONENTS
50	05/18/04	REVISED TO ADD COMPONENTS
51	06/18/04	REVISED TO ADD COMPONENTS
52	07/18/04	REVISED TO ADD COMPONENTS
53	08/18/04	REVISED TO ADD COMPONENTS
54	09/18/04	REVISED TO ADD COMPONENTS
55	10/18/04	REVISED TO ADD COMPONENTS
56	11/18/04	REVISED TO ADD COMPONENTS
57	12/18/04	REVISED TO ADD COMPONENTS
58	01/18/05	REVISED TO ADD COMPONENTS
59	02/18/05	REVISED TO ADD COMPONENTS
60	03/18/05	REVISED TO ADD COMPONENTS
61	04/18/05	REVISED TO ADD COMPONENTS
62	05/18/05	REVISED TO ADD COMPONENTS
63	06/18/05	REVISED TO ADD COMPONENTS
64	07/18/05	REVISED TO ADD COMPONENTS
65	08/18/05	REVISED TO ADD COMPONENTS
66	09/18/05	REVISED TO ADD COMPONENTS
67	10/18/05	REVISED TO ADD COMPONENTS
68	11/18/05	REVISED TO ADD COMPONENTS
69	12/18/05	REVISED TO ADD COMPONENTS
70	01/18/06	REVISED TO ADD COMPONENTS
71	02/18/06	REVISED TO ADD COMPONENTS
72	03/18/06	REVISED TO ADD COMPONENTS
73	04/18/06	REVISED TO ADD COMPONENTS
74	05/18/06	REVISED TO ADD COMPONENTS
75	06/18/06	REVISED TO ADD COMPONENTS
76	07/18/06	REVISED TO ADD COMPONENTS
77	08/18/06	REVISED TO ADD COMPONENTS
78	09/18/06	REVISED TO ADD COMPONENTS
79	10/18/06	REVISED TO ADD COMPONENTS
80	11/18/06	REVISED TO ADD COMPONENTS
81	12/18/06	REVISED TO ADD COMPONENTS
82	01/18/07	REVISED TO ADD COMPONENTS
83	02/18/07	REVISED TO ADD COMPONENTS
84	03/18/07	REVISED TO ADD COMPONENTS
85	04/18/07	REVISED TO ADD COMPONENTS
86	05/18/07	REVISED TO ADD COMPONENTS
87	06/18/07	REVISED TO ADD COMPONENTS
88	07/18/07	REVISED TO ADD COMPONENTS
89	08/18/07	REVISED TO ADD COMPONENTS
90	09/18/07	REVISED TO ADD COMPONENTS
91	10/18/07	REVISED TO ADD COMPONENTS
92	11/18/07	REVISED TO ADD COMPONENTS
93	12/18/07	REVISED TO ADD COMPONENTS
94	01/18/08	REVISED TO ADD COMPONENTS
95	02/18/08	REVISED TO ADD COMPONENTS
96	03/18/08	REVISED TO ADD COMPONENTS
97	04/18/08	REVISED TO ADD COMPONENTS
98	05/18/08	REVISED TO ADD COMPONENTS
99	06/18/08	REVISED TO ADD COMPONENTS
100	07/18/08	REVISED TO ADD COMPONENTS

BIAMP SYSTEMS INC.
POWER SUPPLY - SCHEMATIC
247A CROFTS

THIS DRAWING IS THE PROPERTY OF BIAMP SYSTEMS, INC. IT IS TO BE USED ONLY FOR THE MANUFACTURE AND REPAIR OF BIAMP SYSTEMS, INC. PRODUCTS. IT IS TO BE KEPT IN CONFIDENTIALITY AND IS NOT TO BE REPRODUCED OR TRANSMITTED IN ANY FORM OR BY ANY MEANS, ELECTRONIC OR MECHANICAL, INCLUDING PHOTOCOPYING, RECORDING, OR BY ANY INFORMATION STORAGE AND RETRIEVAL SYSTEM. ANY VIOLATION OF THIS POLICY WILL BE PROSECUTED TO THE FULL EXTENT OF THE LAW.



CONNECTOR P_N ASSIGNMENT

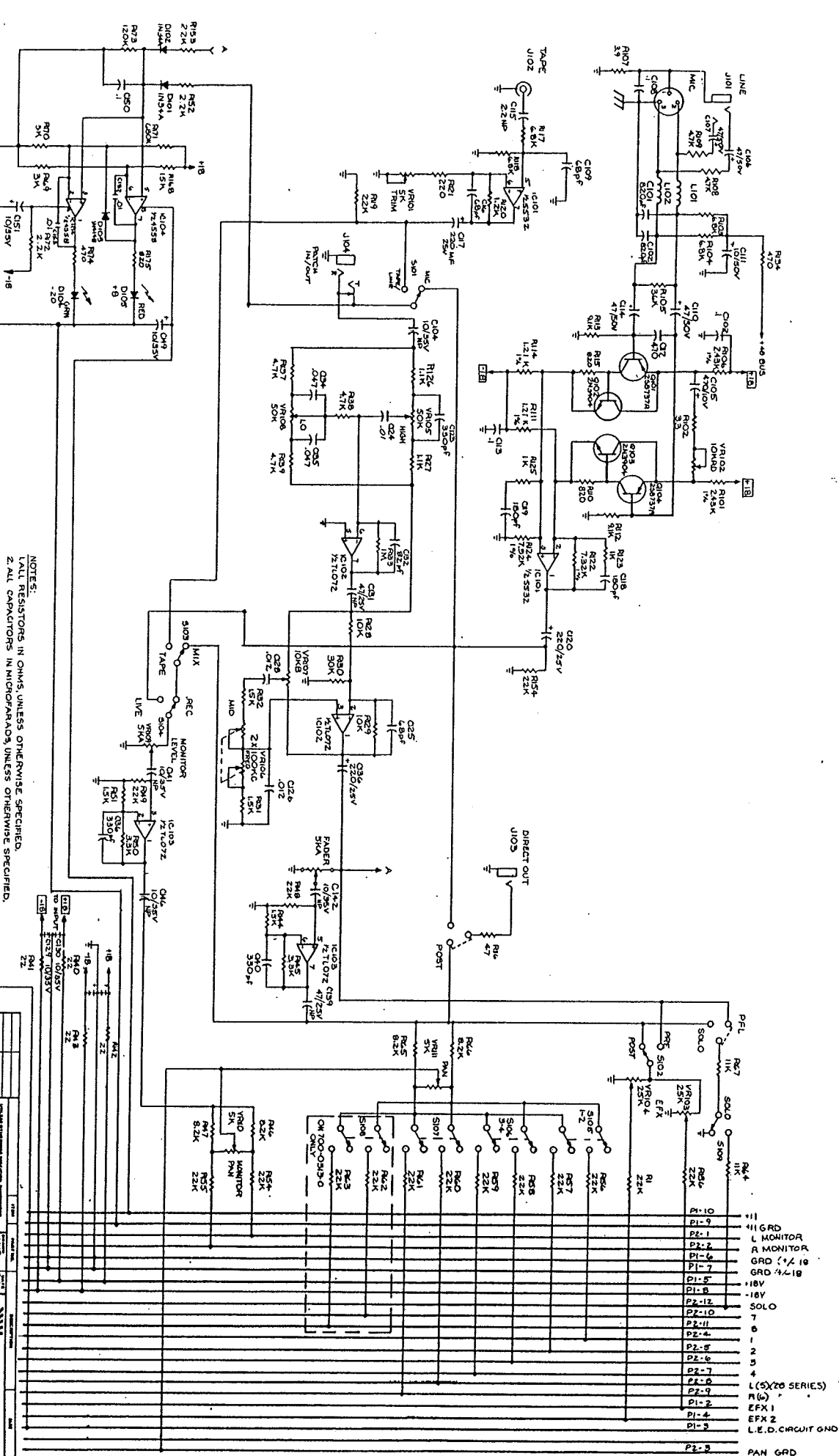
P1 (INPUT) (BIAMP #283-0026-00)	P2 (OUTPUT)	P3 (OUTPUT)
P1-1 SEC.1 (5X.5V)	P2-1 C.T. SEC.3	P3-1 +48V
P1-2 SEC.1 "	P2-2 SEC.3	P3-2 -18V
P1-3 SEC.4 (472V C.T.)	P2-3 SEC.3	P3-3 SIGNAL GROUND
P1-4 SEC.4 "	"	P3-4 +11V
P1-5 SEC.4 C.T. "	"	P3-5 GROUND
P1-6 SEC.2 (107V)	"	P3-6 +11V GROUND
P1-7 SEC.2 "	"	P3-7
P1-8 SEC.3 C.T. (217VCT)	"	"
P1-9 SEC.3	"	"
P1-10 SEC.3	"	"

↑ THESE 3 TRANSISTORS MOUNTED TO HEAT SINK DURING ASSEMBLY

A B C D

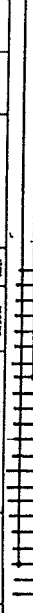
REV.	ED.	CHANGE	DATE	BY

BIAMP SYSTEMS, INC.
 584
 PC ASSEMBLY - POWER SUPPLY
 24/28 SERIES
 INC. NO. 701-0319-00
 REV. A



NOTES:
 1. ALL RESISTORS IN OHMS, UNLESS OTHERWISE SPECIFIED.
 2. ALL CAPACITORS IN MICROFARADS, UNLESS OTHERWISE SPECIFIED.

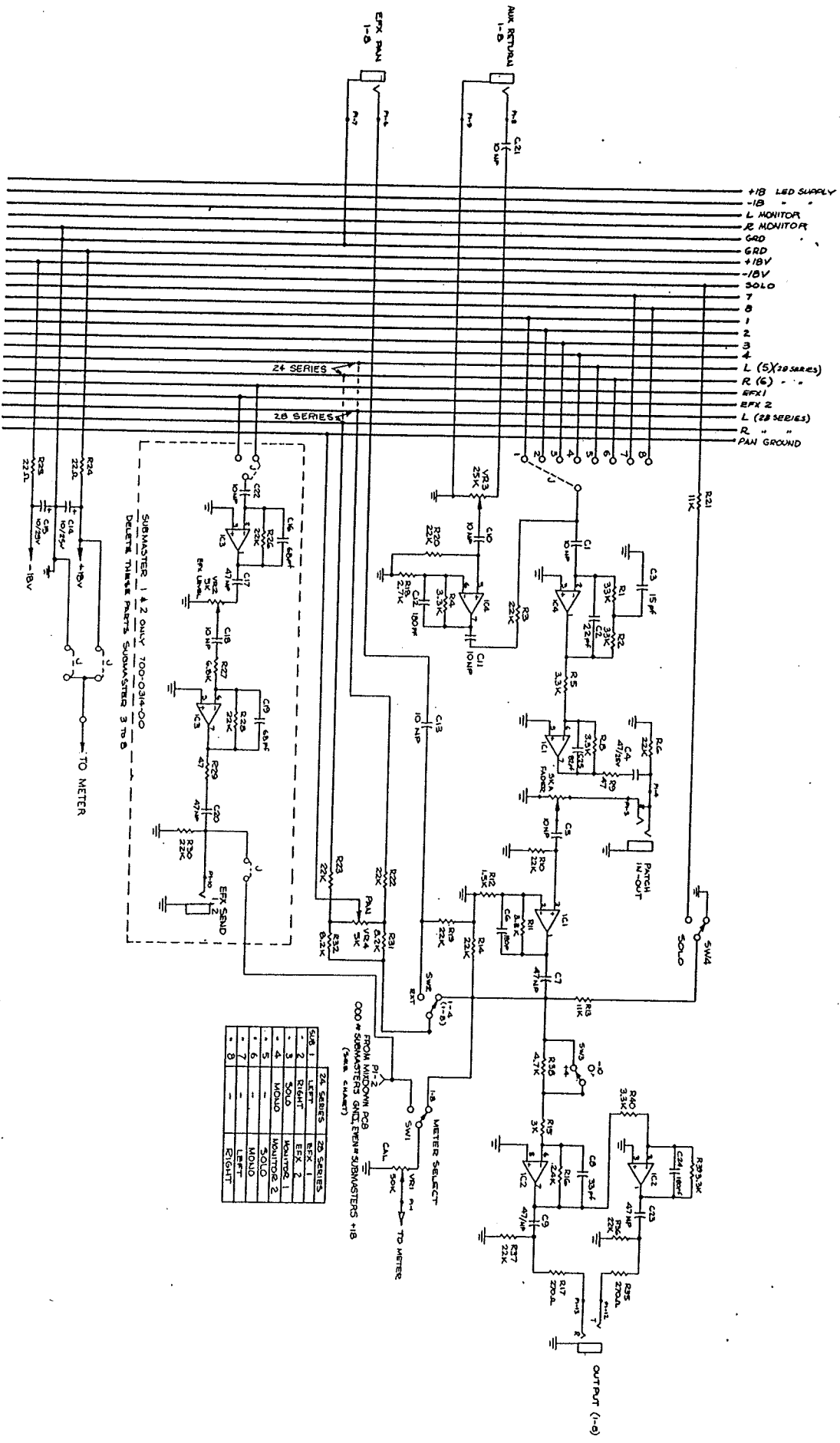
P1-1	GRD
P1-2	L MONITOR
P1-3	R MONITOR
P1-4	GRD 1/2 18
P1-5	GRD 1/2 18
P1-6	18V
P1-7	18V
P1-8	SOLO
P2-1	SOLO
P2-2	7
P2-3	6
P2-4	5
P2-5	4
P2-6	3
P2-7	2
P2-8	1
P2-9	L (5X20 SERIES)
P2-10	R (5X20 SERIES)
P1-2	EFX 1
P1-4	EFX 2
P1-3	L.E.D. CIRCUIT GND
P2-8	PAN GRD



BIAMP SYSTEMS INC.	
SCHEMATIC - INPUT	
24/28 SERIES	
DATE: 03/13/78	
DRAWN: [Name]	
CHECKED: [Name]	
APPROVED: [Name]	
REVISION: 1	
SCALE: 1:1	
SHEET NO. 1	

1. ALL RESISTORS IN OHMS, UNLESS OTHERWISE SPECIFIED.
 2. ALL CAPACITORS IN MICROFARADS, UNLESS OTHERWISE SPECIFIED.

1. This drawing is prepared in accordance with the following standards:
 2. All dimensions are in inches unless otherwise specified.
 3. All tolerances are as shown unless otherwise specified.
 4. All components are to be standard commercial components unless otherwise specified.
 5. All components are to be standard commercial components unless otherwise specified.
 6. All components are to be standard commercial components unless otherwise specified.
 7. All components are to be standard commercial components unless otherwise specified.
 8. All components are to be standard commercial components unless otherwise specified.
 9. All components are to be standard commercial components unless otherwise specified.
 10. All components are to be standard commercial components unless otherwise specified.

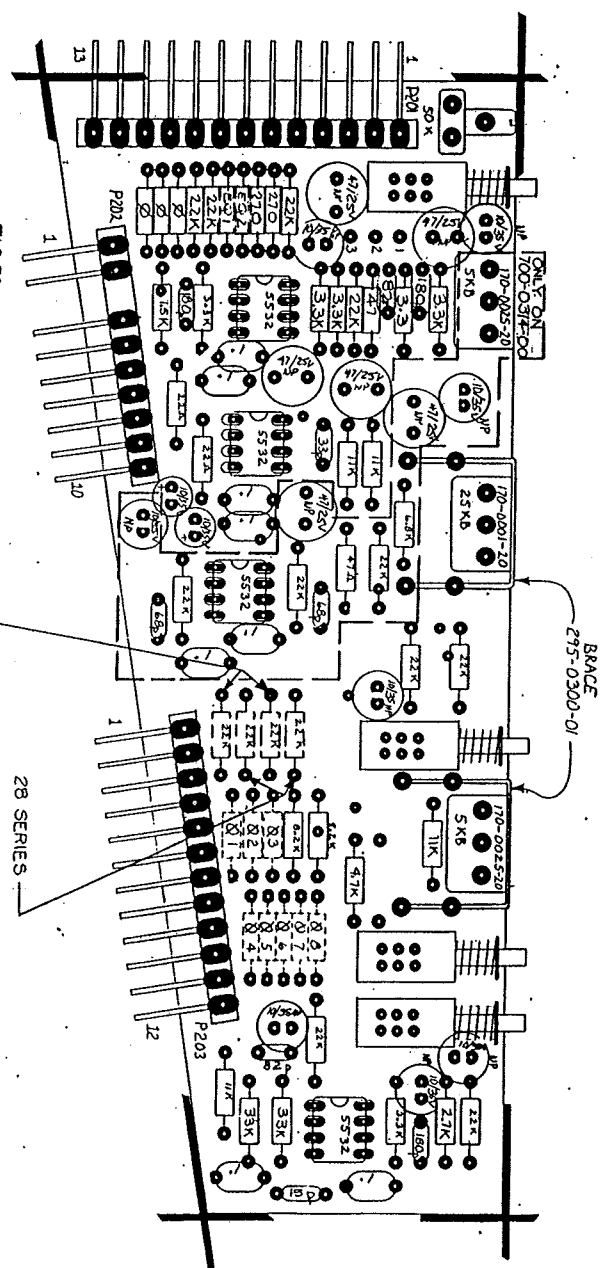


24 SERIES	28 SERIES
1 - 24	1 - 28
2 - 24	2 - 28
3 - 24	3 - 28
4 - 24	4 - 28
5 - 24	5 - 28
6 - 24	6 - 28
7 - 24	7 - 28
8 - 24	8 - 28

DATE: 2/28/78
 DRAWN BY: [Name]
 CHECKED BY: [Name]
 APPROVED BY: [Name]
BIAMP SYSTEMS INC.
SCHEMATIC - SUBMASTER
24/28 SERIES

447 0480

REV	DATE	BY
A	04-29-84	APD
ADD JUMPER/CHIEF		7-84
CIRCUITRY		MMR



- 1. ELEMENT - RED -
- 2. VIAPER - YELLOW -
- 3. GROUND - BLUE -

USE THIS DRAWING WITH:
 PCB ARTWORK: 380-0137-00 REV A
 FAB DRAWING: 380-D137-00 REV A
 MASK LEVEL: NONE

BIAMP SYSTEMS INC.
 24-28 SUBMASTER BOARD

USE THIS DRAWING WITH:
 PCB PART WORK: 390-0138-00 REV A
 MASK LEVEL: NONE

MOUNT OUT

1	BLACK	SLEEVE
2	WHITE	RING
3	RED	TIP

PHONE JACK

1	BLACK	PHONE JACK
2	WHITE	PHONE JACK
3	RED	PHONE JACK

FIBERS

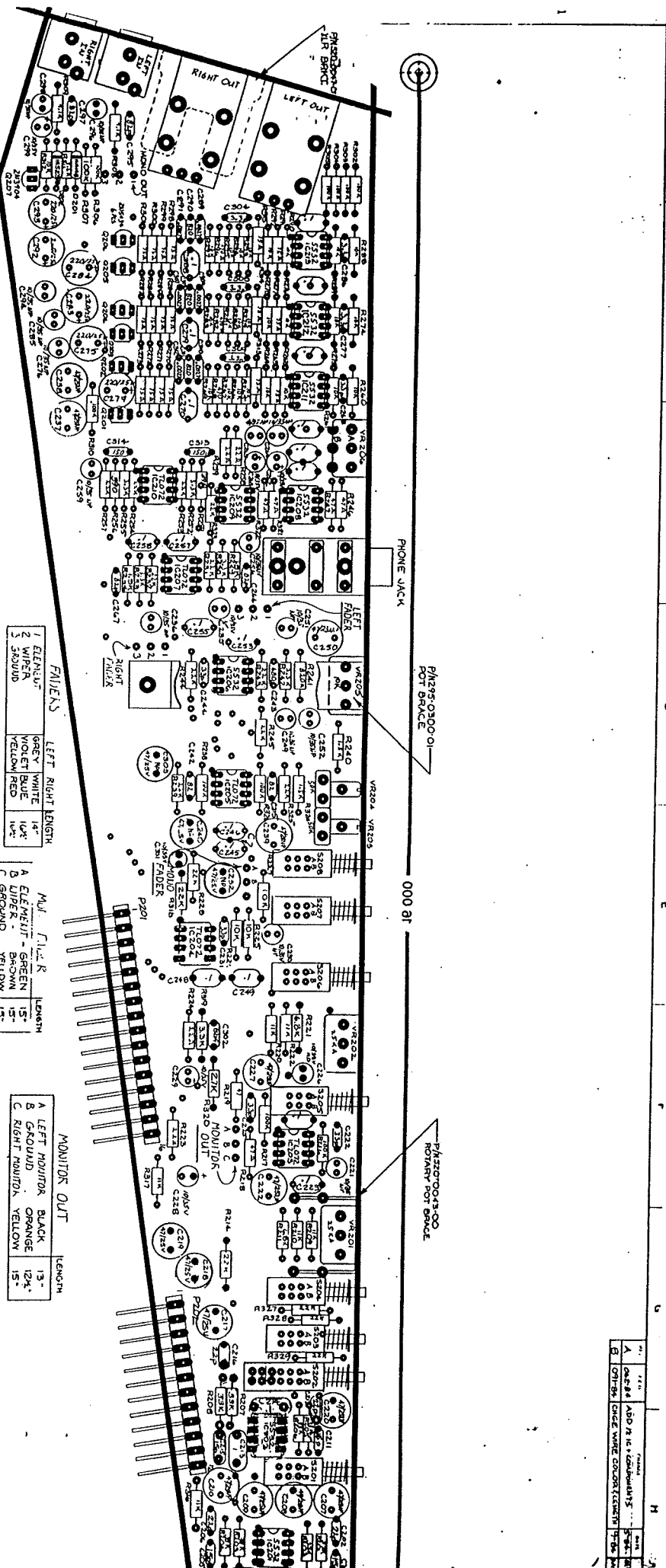
1	ELEMENT	LEFT	RIGHT	LENGTH
2	WIPER	GREY	WHITE	14"
3	GROUND	VIOLET	BLUE	14"
		YELLOW	RED	14"

MULTI-FIBER

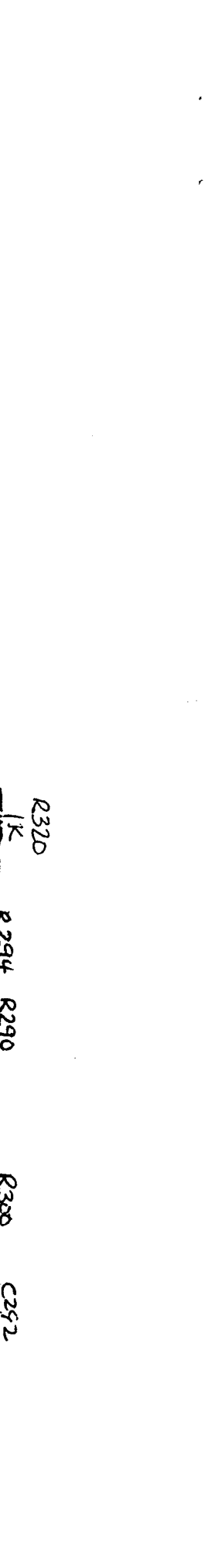
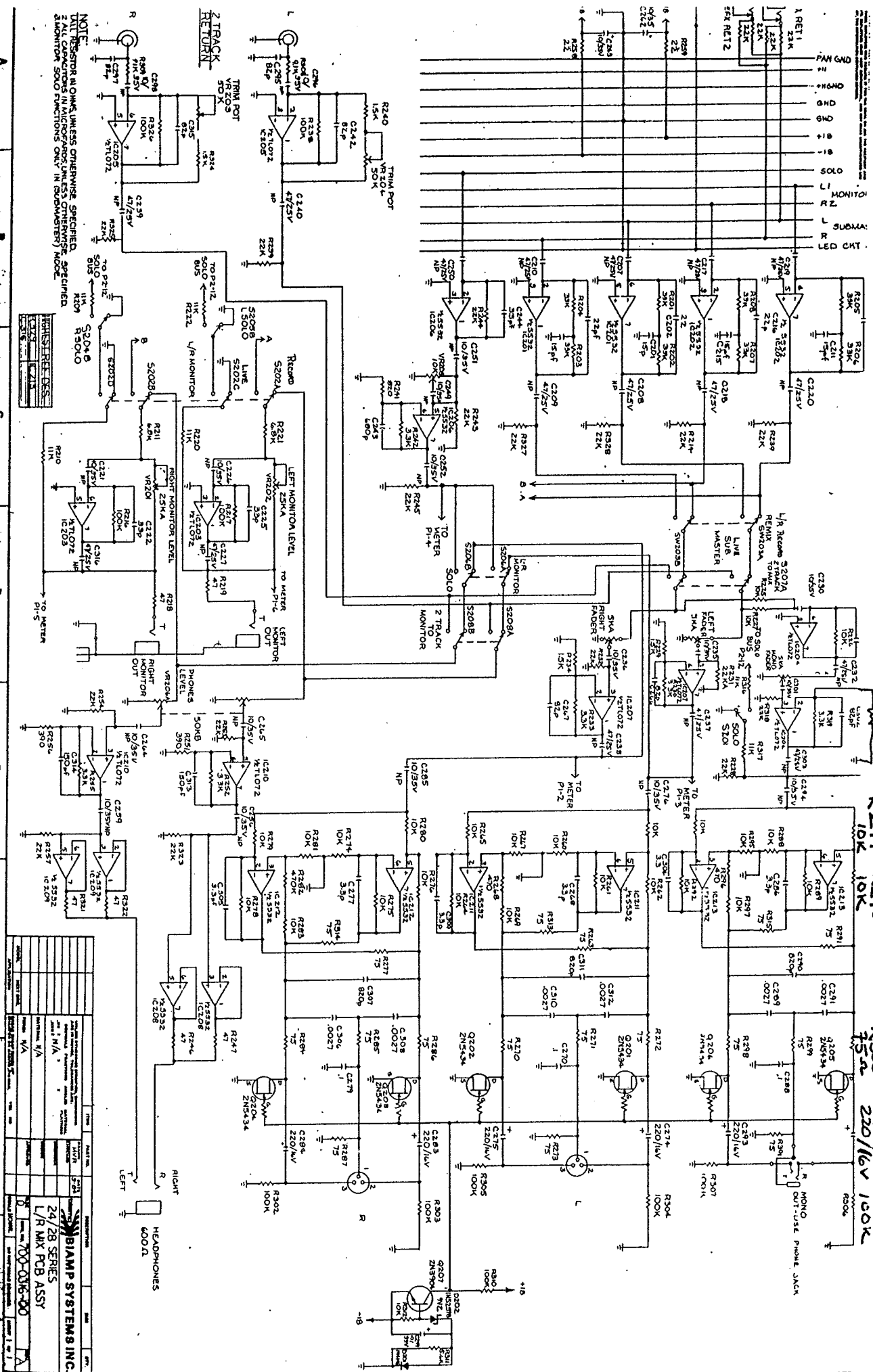
A	ELEMENT - GREEN	15"
B	WIPER - BROWN	15"
C	GROUND - YELLOW	15"

MONITOR OUT

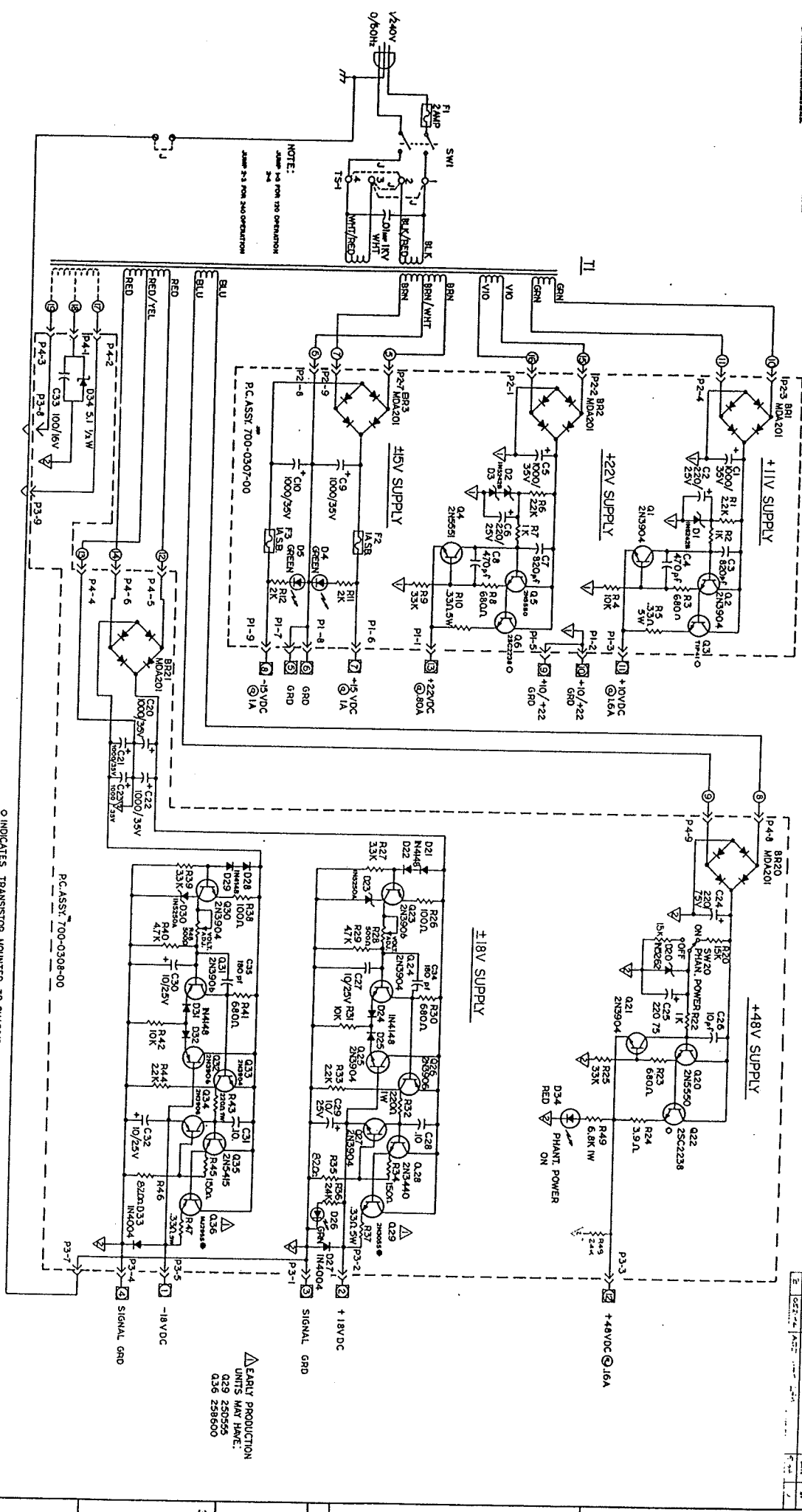
A	LEFT MONITOR	BLACK	13"
B	GROUND	ORANGE	12 1/2"
C	RIGHT MONITOR	YELLOW	15"



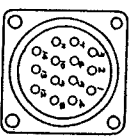
REV	DATE	BY	CHKD
1	10/10/81	ADD	ADD
2	10/10/81	ADD	ADD



REVISIONS
 1. 08/14/82
 2. 08/14/82
 3. 08/14/82
 4. 08/14/82
 5. 08/14/82
 6. 08/14/82
 7. 08/14/82
 8. 08/14/82
 9. 08/14/82
 10. 08/14/82



○ = TRANSFORMER WIRE #
 □ = CIRCULAR CONNECTOR PIN #

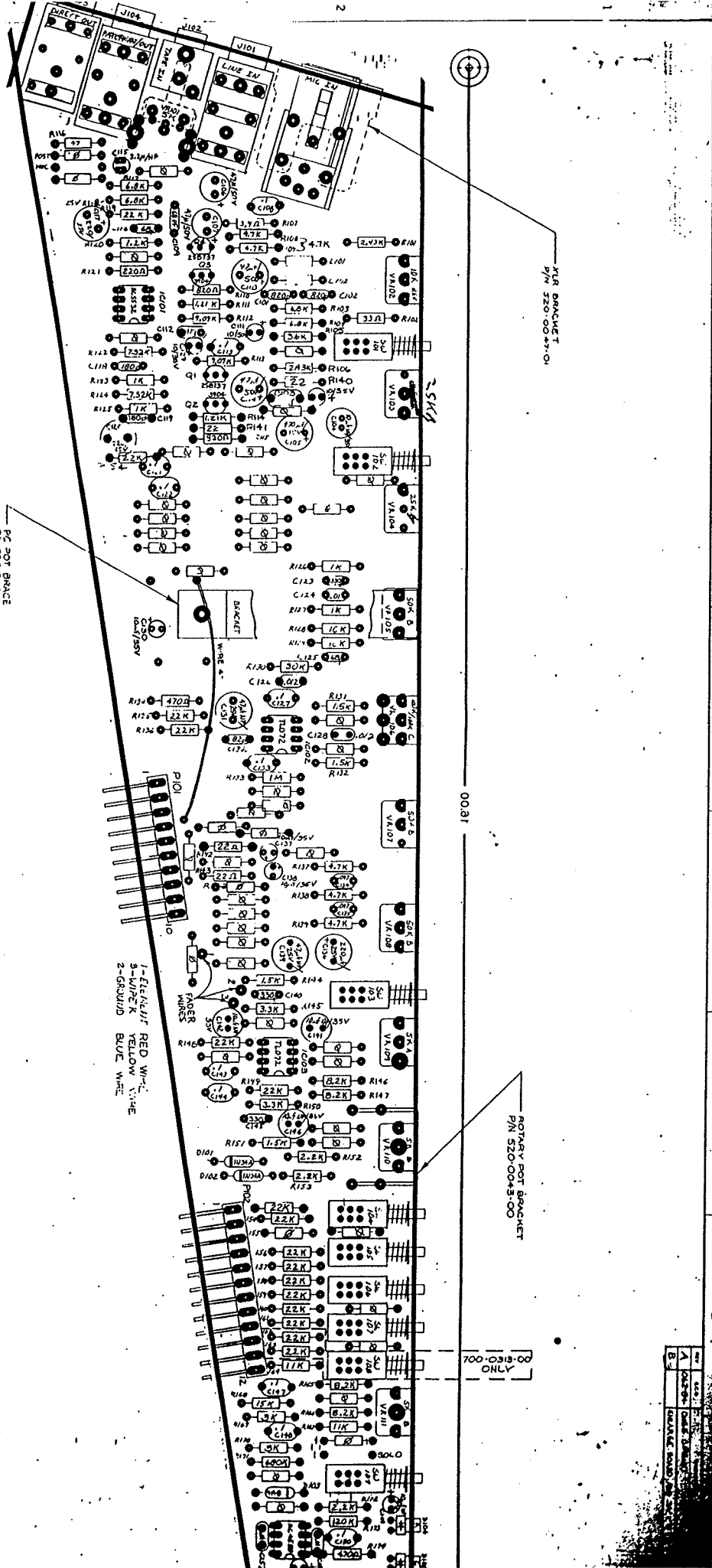


○ INDICATES TRANSISTOR MOUNTED TO CHASSIS FOR HEAT SINKING
 ● INDICATES TRANSISTOR MOUNTED TO EXTERNAL HEATSINK

REV	DATE	DESCRIPTION
1	08/14/82	SCHEMATIC DIAGRAM
2	08/14/82	
3	08/14/82	
4	08/14/82	

▲ EARLY PRODUCTION UNITS MAY HAVE:
 Q29 250555
 Q36 258600

BIAMP SYSTEMS INC.
 POWER SUPPLY 80/42
 SCHEMATIC DIAGRAM



PC 307 BRACKET
P/N 280-0047-01

PC 307 BRACKET
P/N 285-0300-01

0031

ROTARY PORT BRACKET
P/N 520-0043-00

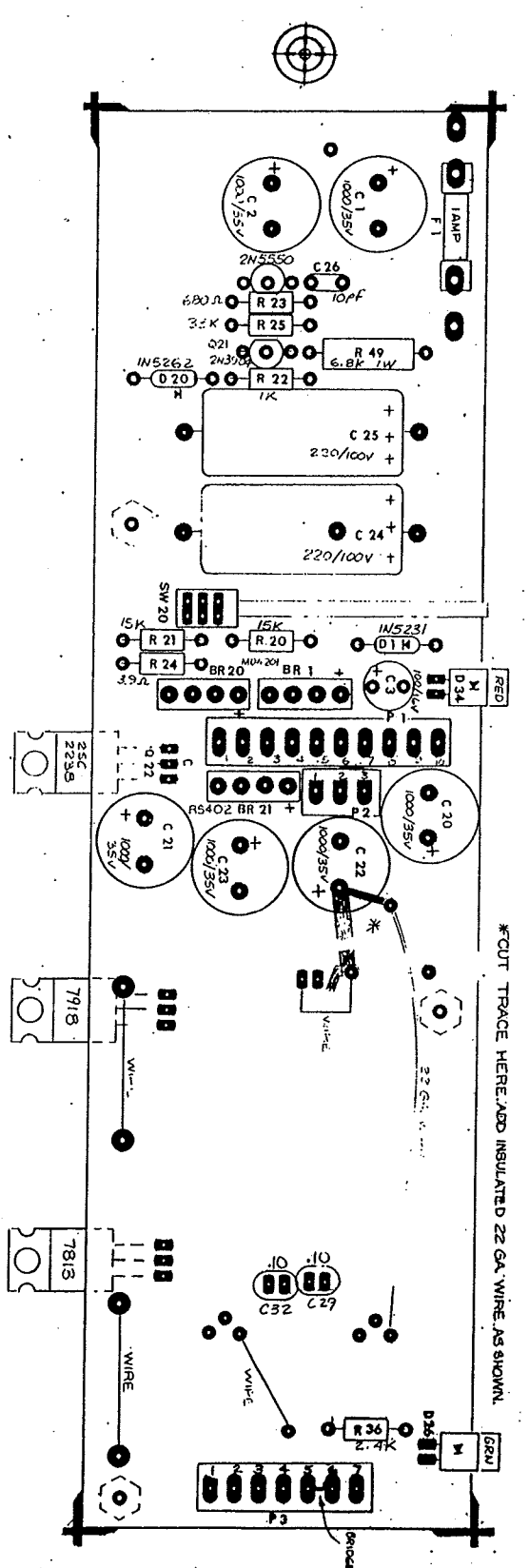
700-0318-00
ONLY

1-EL-ELECT RED WH-
3-WIRE K YELLOW 1-1-HE
2-GROUND BLUE WH-LE

BIAMP SYSTEMS II
 DUP/PLT MODULE 24-28
 791-088-00
 791-088-00
 791-088-00

REV	DATE	DESCRIPTION
1		INITIAL RELEASE
2		REVISION
3		REVISION
4		REVISION
5		REVISION

These drawings are the property of Biam Systems Inc. and are not to be reproduced or used in any manner without the written consent of Biam Systems Inc. All dimensions are in inches unless otherwise noted. All components are to be standard unless otherwise noted. The manufacturer's part number shall be used for all components. The manufacturer's name shall be used for all components. The manufacturer's name shall be used for all components.



CONNECTOR P.A. ASSIGNMENT

P1 (INPUT) (LFMG #285-0026-00)	P2 (OUTPUT)	P3 (OUTPUT)
P1-1 SEC.1 (33.5V)	P2-1 C.T. SEC.3 27V CT	P3-1 +45V
P1-2 SEC.1	P2-2 SEC.3	P3-2 +15V
P1-3 SEC.4 (472V C.T.)	P2-3 SEC.2	P3-3 -15V
P1-4 SEC.4		P3-4 SHIELD GROUND
P1-5 SEC.4 C.T.		P3-5 SHIELD GROUND
P1-6 SEC.2 (807V)		P3-6 +11V GROUND
P1-7 SEC.2		P3-7 +11V
P1-8 SEC.3 C.T. (27V CT)		
P1-9 SEC.3		
P1-10 SEC.3		

DATE	REV	BY	CHK
<p>BIAMP SYSTEMS INC.</p> <p>PC ASSEMBLY - POWER SUPPLY</p> <p>24/28 SERIALS</p> <p>DATE NO 701-0317-00</p> <p>SCALE 2X DO NOT SCALE DRAWING</p>			

4

3

2

1

A

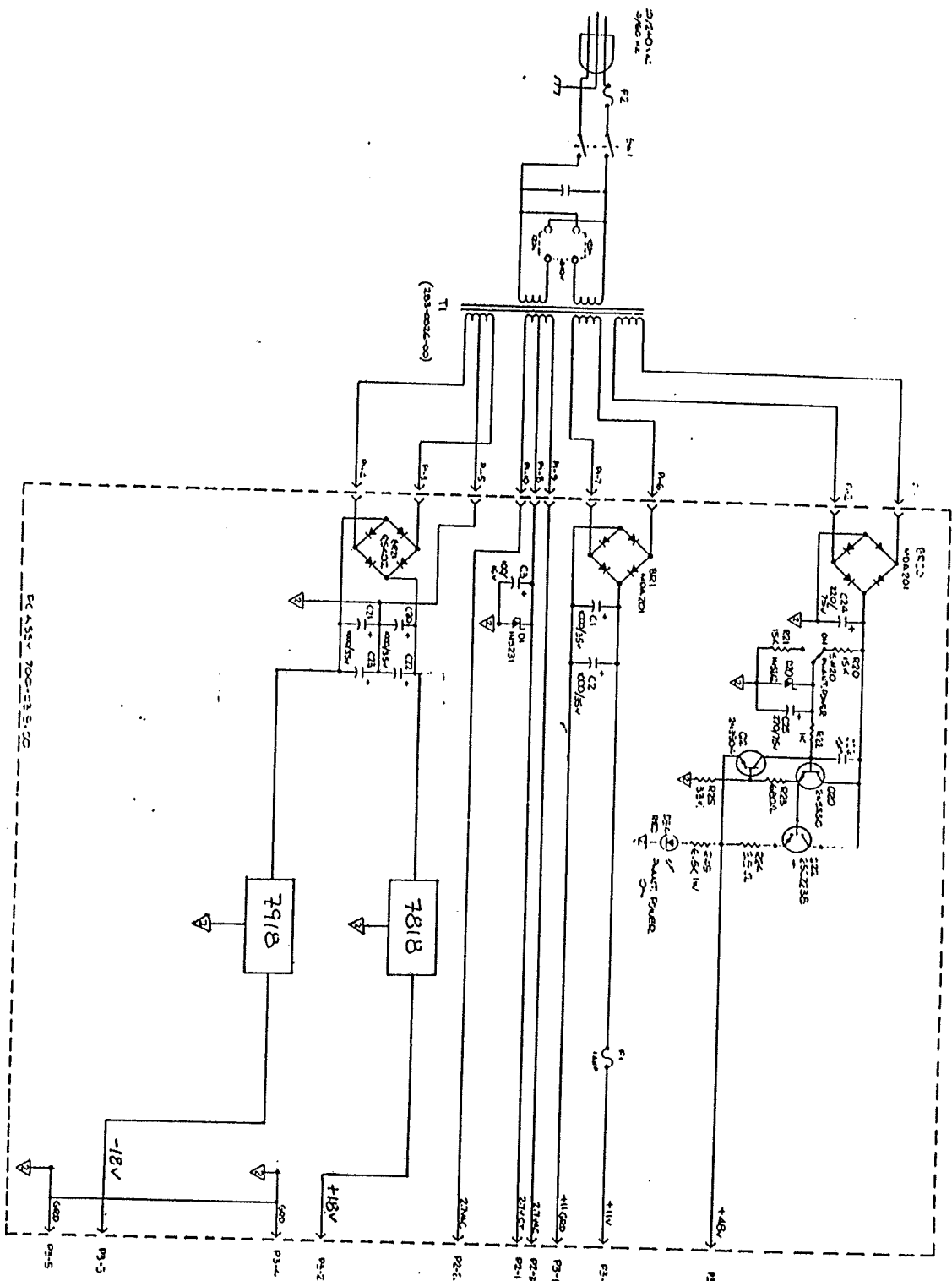
B

C

3

2

1



A B C D E F G H

BIAMP SYSTEMS INC. 1700 E. 17th Street Denver, Colorado 80202 Phone: (303) 733-1100 Fax: (303) 733-1101 Website: www.biamp.com		LOWER SUPPLY SCHEMATIC 024 SHEETS Rev. 20-0319-00 Issue 1 of 1	
Drawing No.: 20-0319-00 Title: LOWER SUPPLY SCHEMATIC Date: 03/19/00 Author: [Blank] Checker: [Blank] Designer: [Blank]	Part No.: [Blank] Description: [Blank] Quantity: [Blank] Unit: [Blank]	Revision: [Blank] Description: [Blank]	Date: [Blank]