

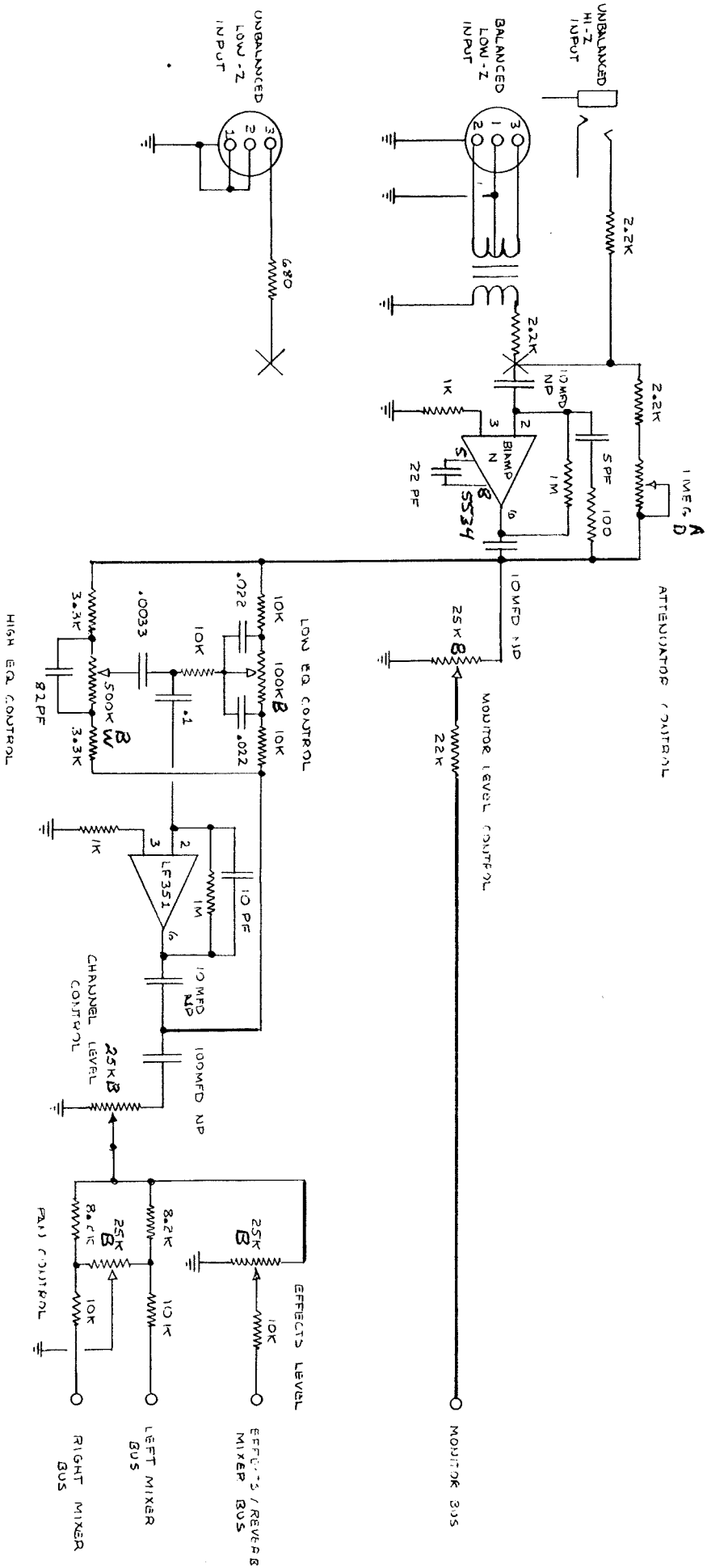
6702

Schematic

B I A M P[®]

S Y S T E M S

10074 SW Arctic Drive Beaverton, OR 97005 503-641-7287



60/02 MIXER CHANNEL SCHEMATIC
REVISION A CKT 3D, GP

ATTEN

HIGH EQ

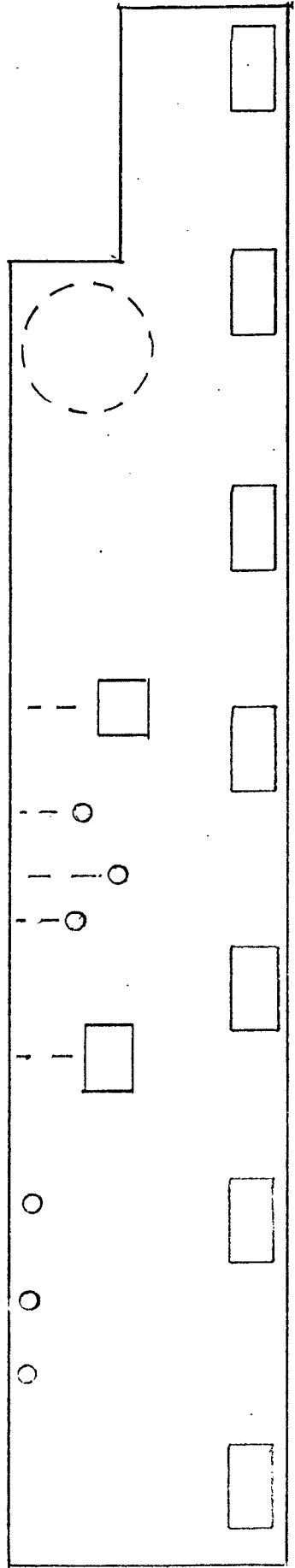
LOW EQ

EFFECTS LEVEL

MONITOR LEVEL

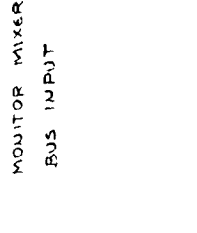
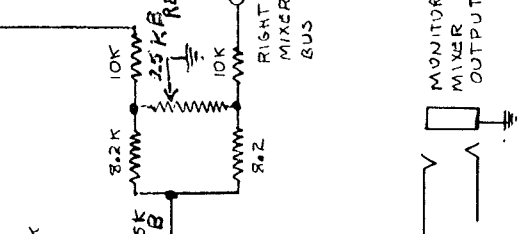
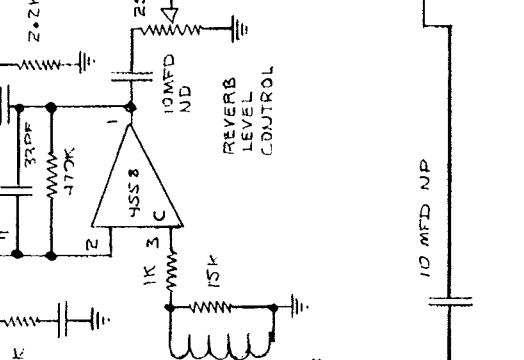
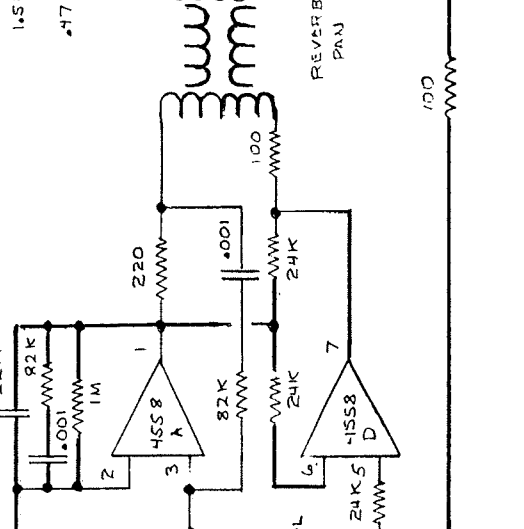
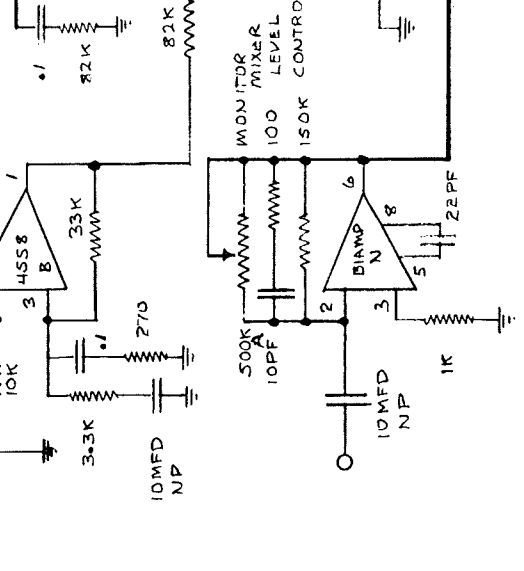
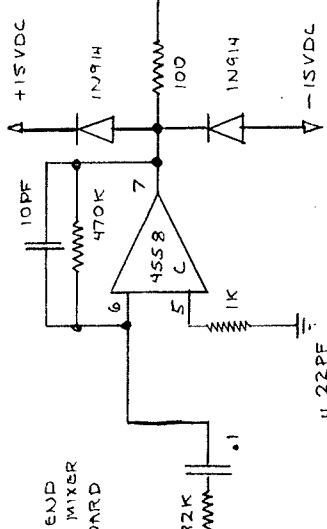
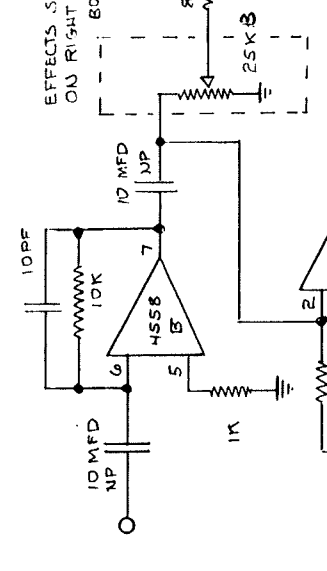
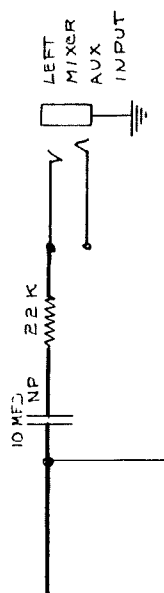
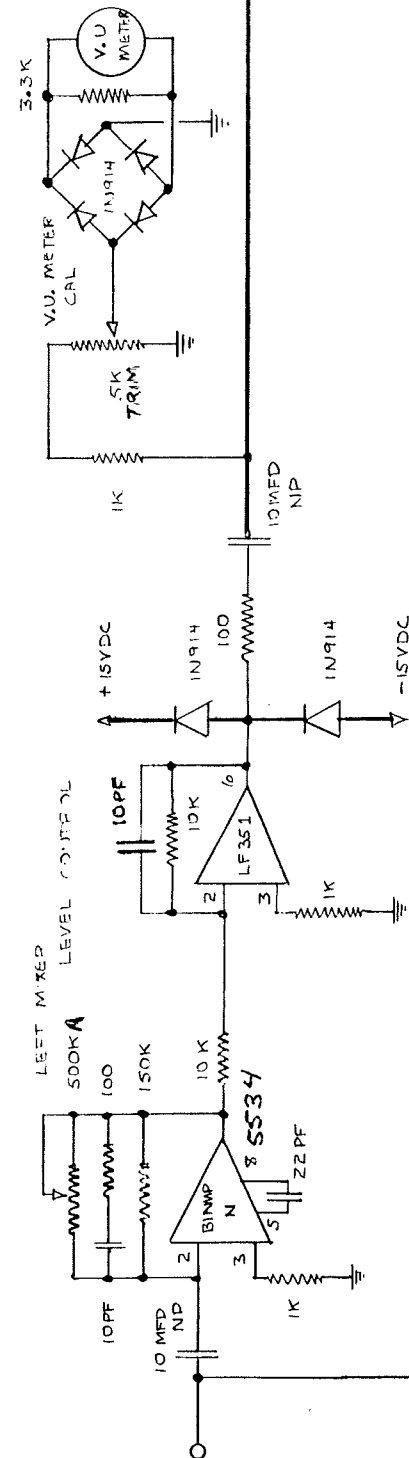
PAN

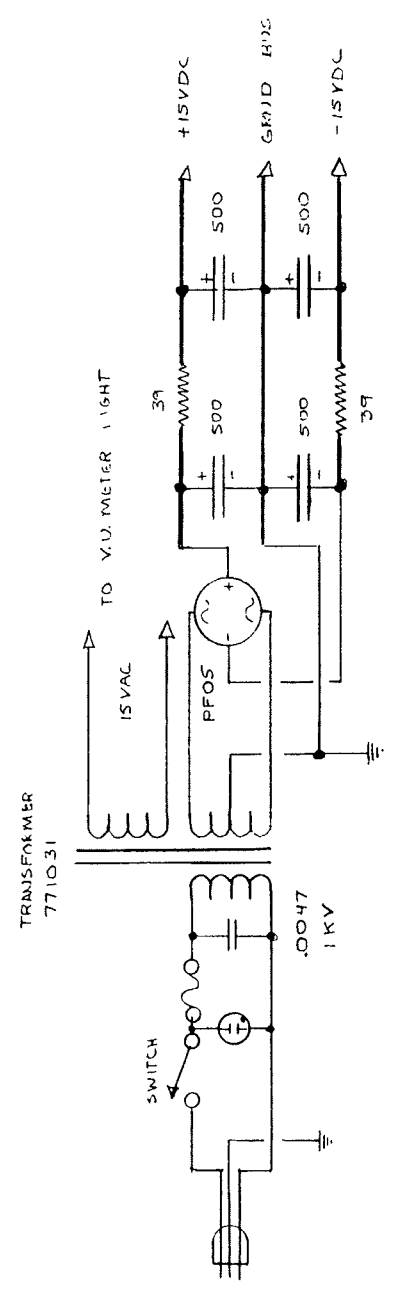
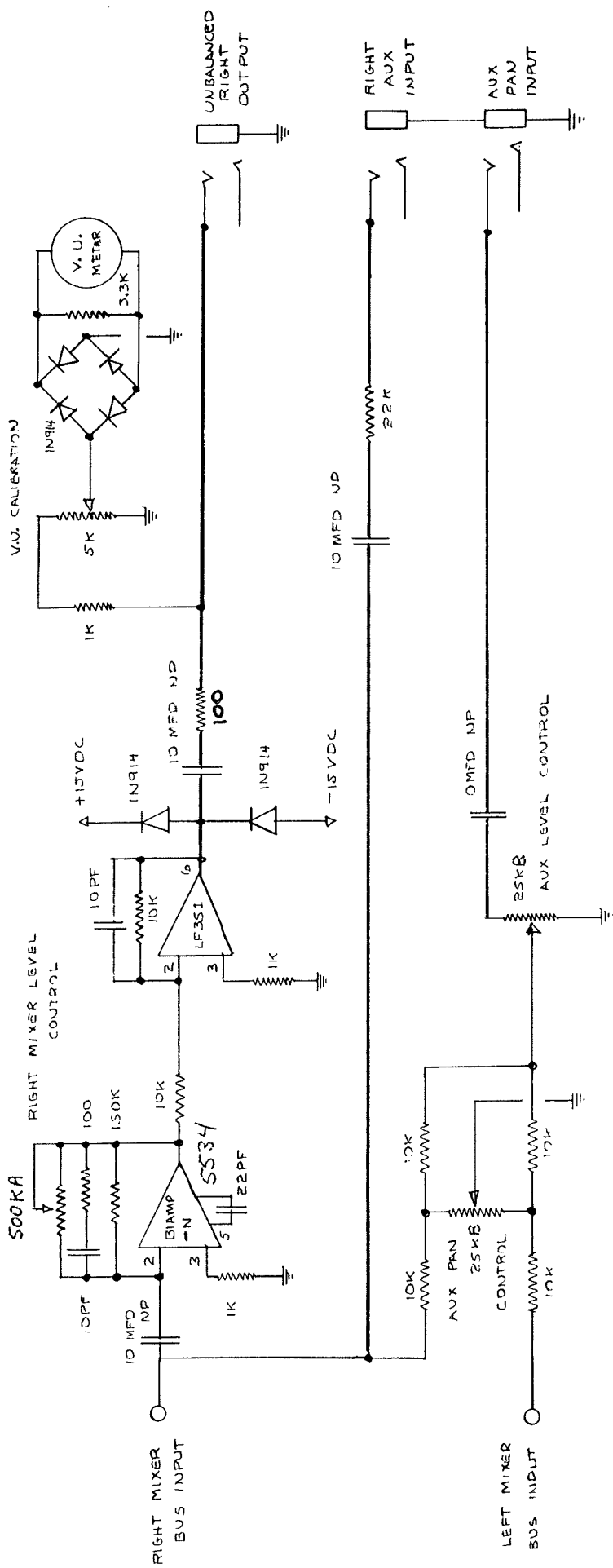
LEVEL



6702 MIXER
CHANNEL LAYOUT
COMPONENT SIDE

6702 MIXER
LEFT MIXER
EFFECTS MIXER
MONITOR MIXER
REVERB B
REVISION B





6702 MIXER
RIGHT MIXER AND
POWER SUPPLY
REVISION B

LEFT MIXER
LEVEL CONTROL



LEFT MIXER BIAMP-N - 5534

MONITOR MIXER
LEVEL CONTROL



LF 357
LF 351

REVERB LEVEL
CONTROL



MONITOR BIAMP N

REVERB PAN
CONTROL



4558



4558



4558



5K V.U. METER CAL

6702 MIXER

LEFT MIXER

MONITOR

REVERB / EFFECTS

REVISION B

RIGHT MIXER
LEVEL CONTROL

BIAMP-N-5534

LF351

EFFECTS SEND

AUX LEVEL

AUX PAN

FULL WAVE BRIDGE
PFOS

EK V.U. CAL

6702 MIXER
RIGHT MIXER
POWER SUPPLY
REVISION B
COMPONENT SIDE