

7600

# Schematic

**B I A M P<sup>®</sup>**  
S Y S T E M S

REV	ECO	DATE	BY	CHKD	APP'D
A		10/15/84	ADD		

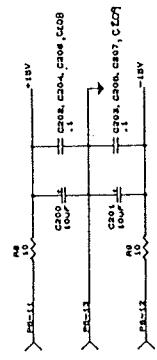
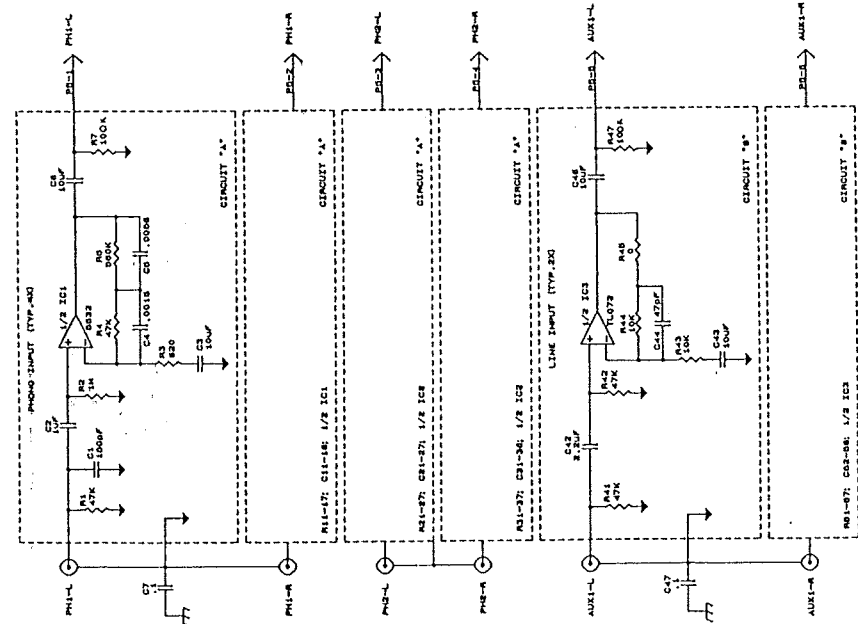
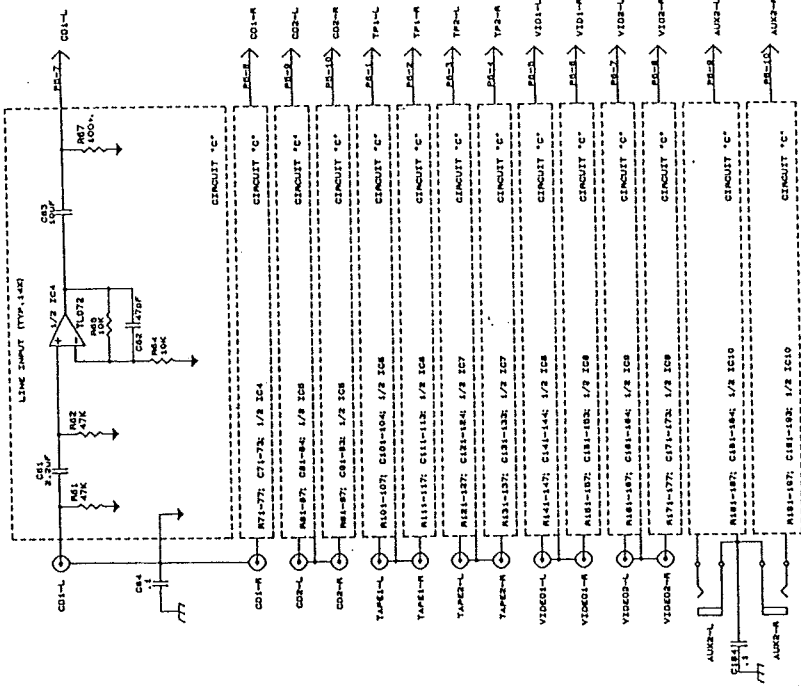
4

3

2

1

THIS DRAWING IS THE PROPERTY OF BIAMP SYSTEMS, INC. AND IS NOT TO BE REPRODUCED OR TRANSMITTED IN ANY FORM OR BY ANY MEANS, ELECTRONIC OR MECHANICAL, INCLUDING PHOTOCOPYING, RECORDING, OR BY ANY INFORMATION STORAGE AND RETRIEVAL SYSTEM, WITHOUT PERMISSION IN WRITING FROM BIAMP SYSTEMS, INC. THE INFORMATION CONTAINED HEREIN IS UNCLASSIFIED AND IS BEING RELEASED FOR YOUR INFORMATION. THE INFORMATION CONTAINED HEREIN IS UNCLASSIFIED AND IS BEING RELEASED FOR YOUR INFORMATION.



REV	ECO	DATE	BY	CHKD	APP'D
A		10/15/84	ADD		

REV	ECO	DATE	BY	CHKD	APP'D
A		10/15/84	ADD		

REV	ECO	DATE	BY	CHKD	APP'D
A		10/15/84	ADD		

4

3

2

1

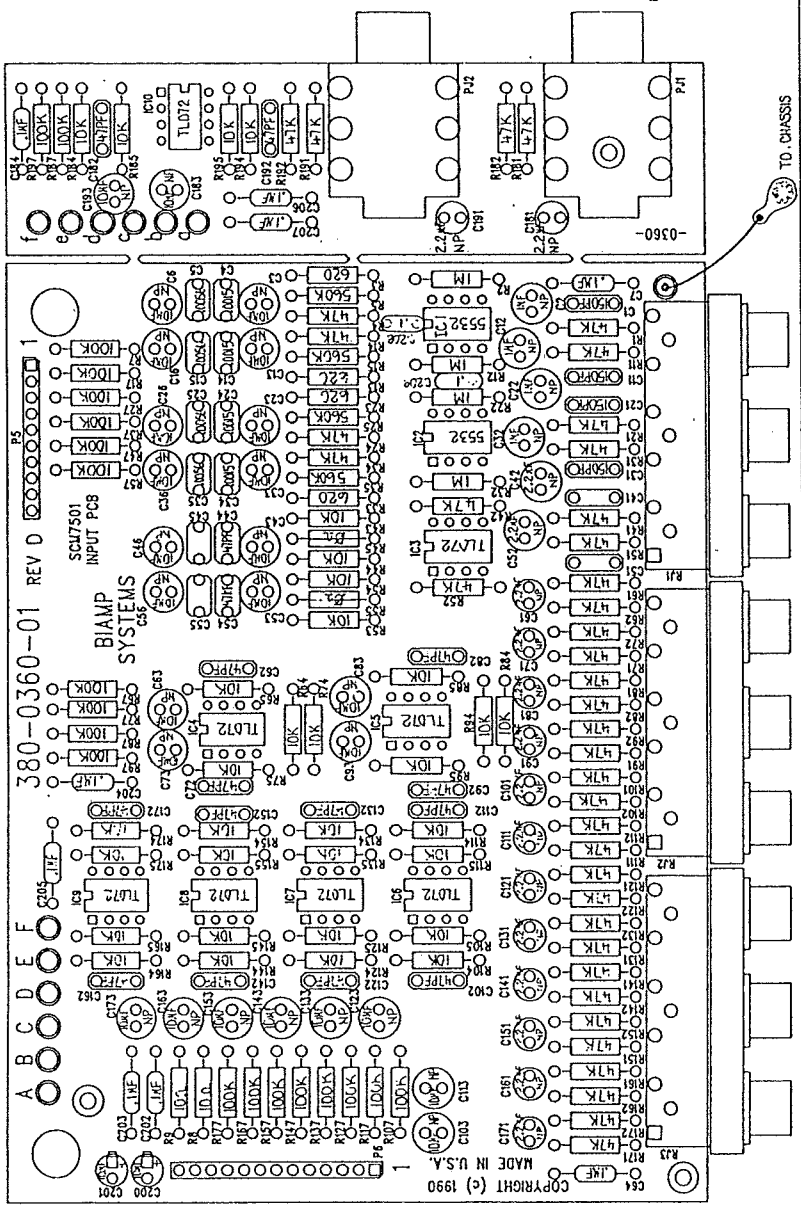
BIAMP SYSTEMS  
SCM 7600 INPUT PCB  
SCHEMATIC

REV	ECO	DATE	BY	CHKD	APP'D
A		10/15/84	ADD		

4

REV	DATE	BY
A	10/27/92	ADD CROSSED REV D FROM S.M.N.
4		CHANGE

BIAMP SYSTEMS  
 14270 N.W. Science Park Drive  
 Portland, Oregon 97229  
 (503) 641-7287



ITEM	DESCRIPTION	SIZE	QTY.
1	SCM 7600 INPUT PCB		1
2	BIAMP SYSTEMS		
3	SCM 7600 INPUT PCB		1
4	COMPONENT LAYOUT		1
5	SCALE 2/1		1

REV	DATE	BY
A	10/27/92	ADD CROSSED REV D FROM S.M.N.
4		CHANGE

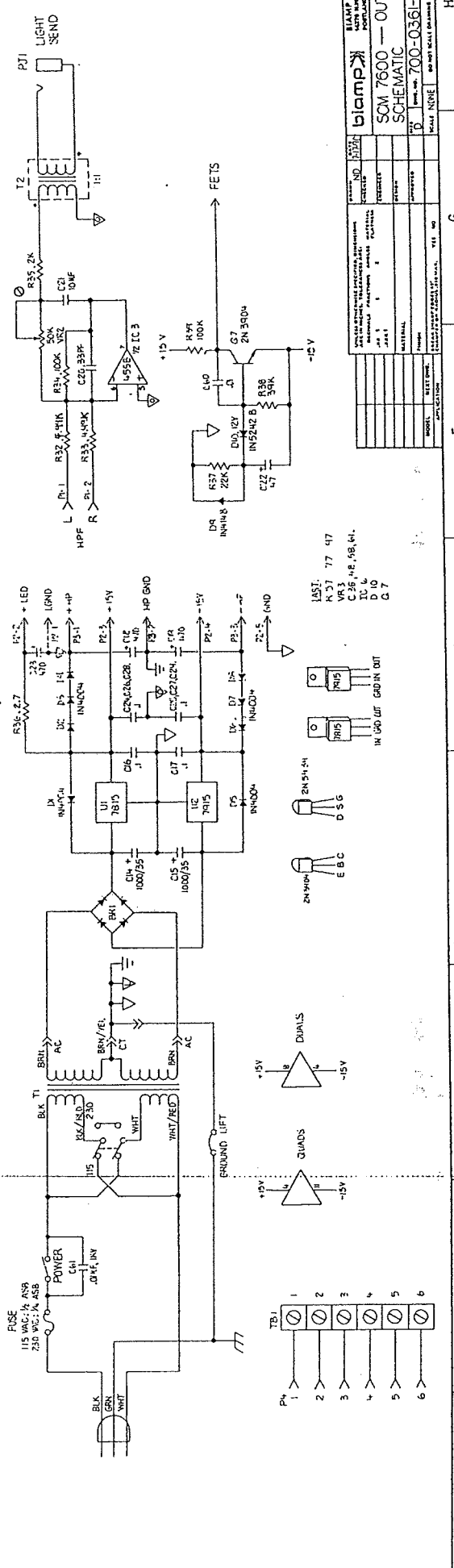
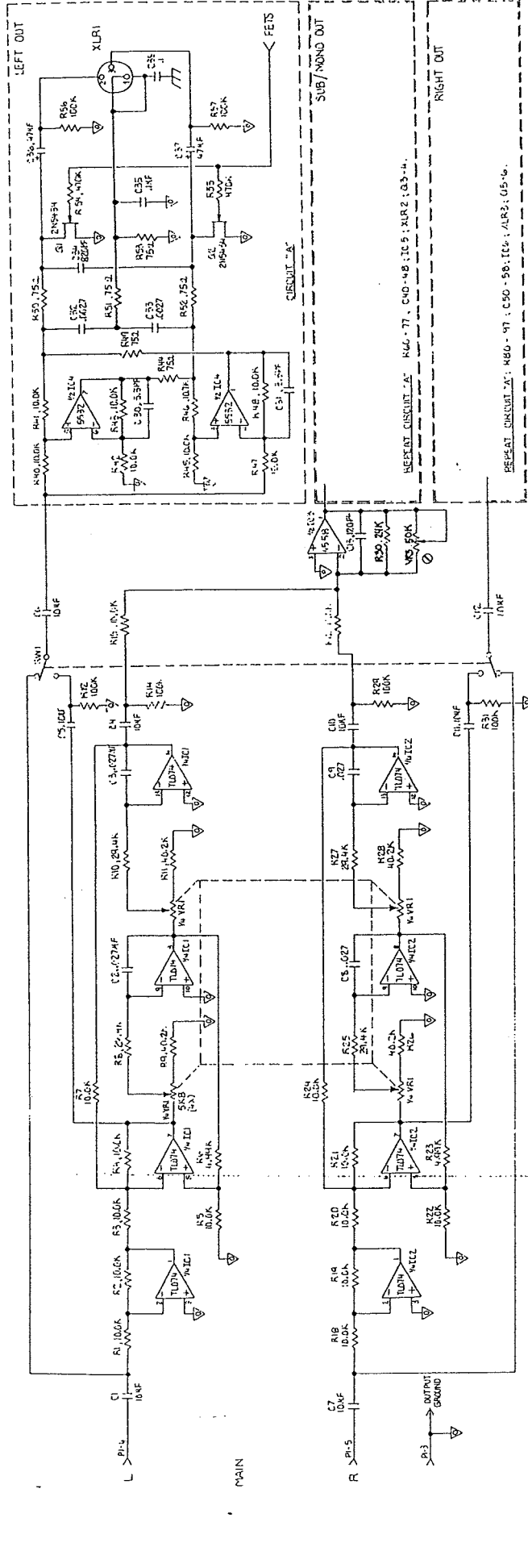
UNLESS OTHERWISE SPECIFIED, DIMENSIONS ARE IN INCHES.
DECIMALS: .0005
FRACTIONS: 1/32
ANGLES: 30, 45, 60, 90, 120, 150, 180
TOLERANCES: .0005
MATERIAL: FR-4
FINISH: ENAMEL
PREPARED BY: S.M.N.
DATE: 10/27/92
SCALE: 2/1
DO NOT SCALE DRAWING
SHEET: 1 OF 1

THIS DRAWING IS THE PROPERTY OF BIAMP SYSTEMS, AND MUST BE RETURNED TO BIAMP SYSTEMS WITHOUT DELAY. IF THIS DRAWING IS REPRODUCED OR COPIED IN ANY MANNER, THE REPRODUCER OR COPIER SHALL BE RESPONSIBLE FOR OBTAINING THE NECESSARY PERMISSIONS FROM BIAMP SYSTEMS. BIAMP SYSTEMS ASSUMES NO LIABILITY FOR ANY DAMAGE, LOSS, OR INJURY RESULTING FROM THE USE OF THIS DRAWING.

MADE IN U.S.A.  
 COPYRIGHT (c) 1990

3

These schematics are for reference only and are not intended for use as a construction guide. The manufacturer shall be responsible for the accuracy of the information provided.



blamp

BLAMP SYSTEMS, I

SCM 7600 -- OUTPUT F

SCHEMATIC

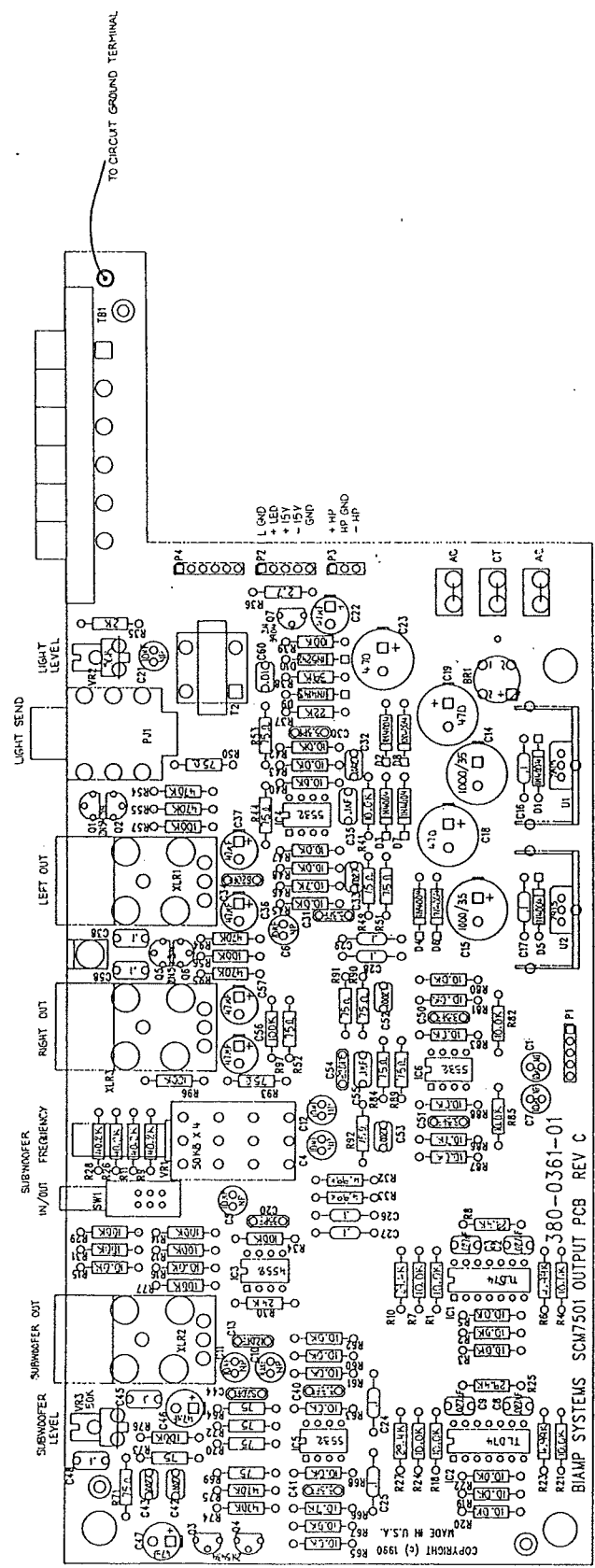
76

700-0361-O1

REV. 000 PRELIMINARY

BIAMP SYSTEMS, INC. 14270 N.W. Science Park Drive, Portland, Oregon 97229 (503) 641-7287

7

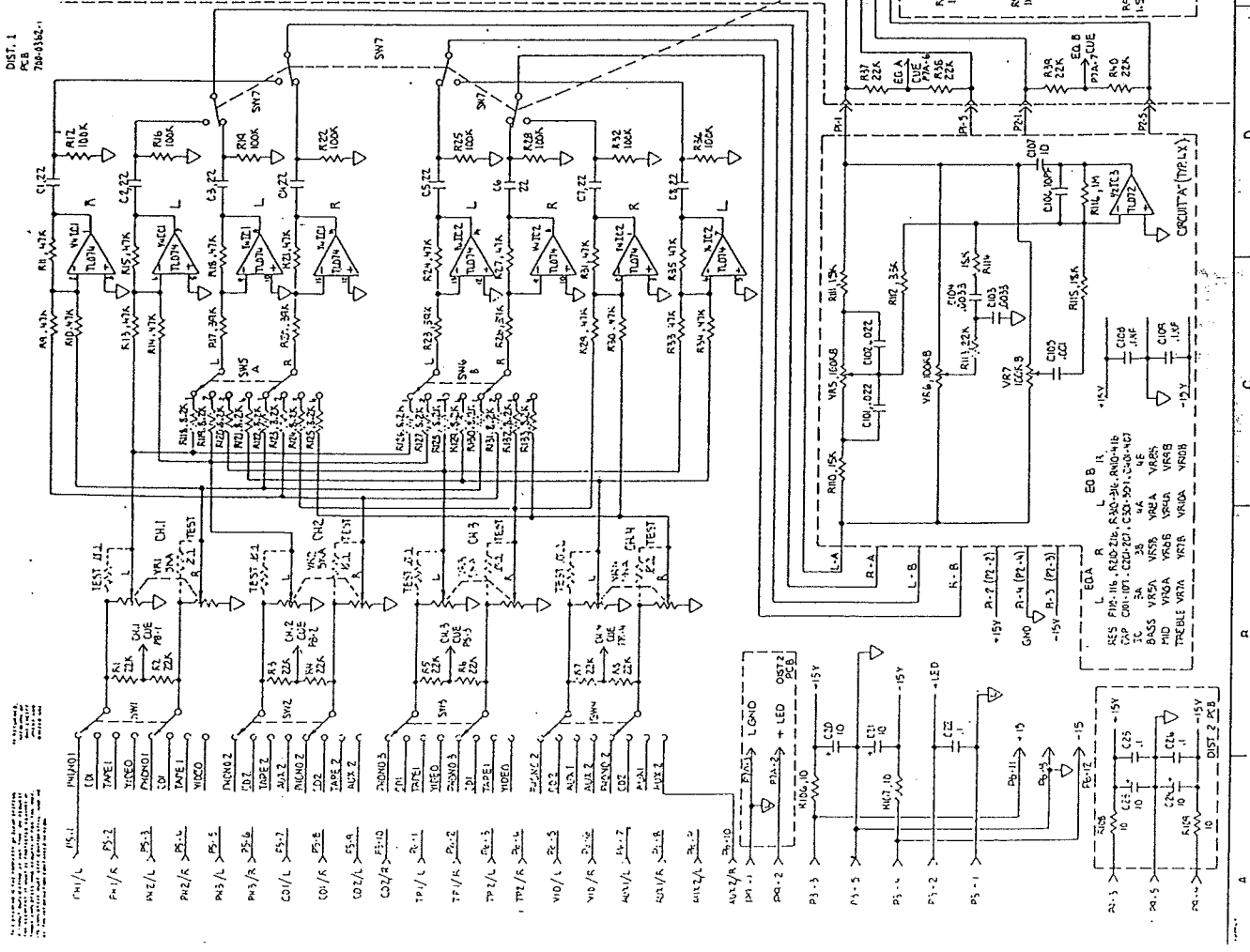
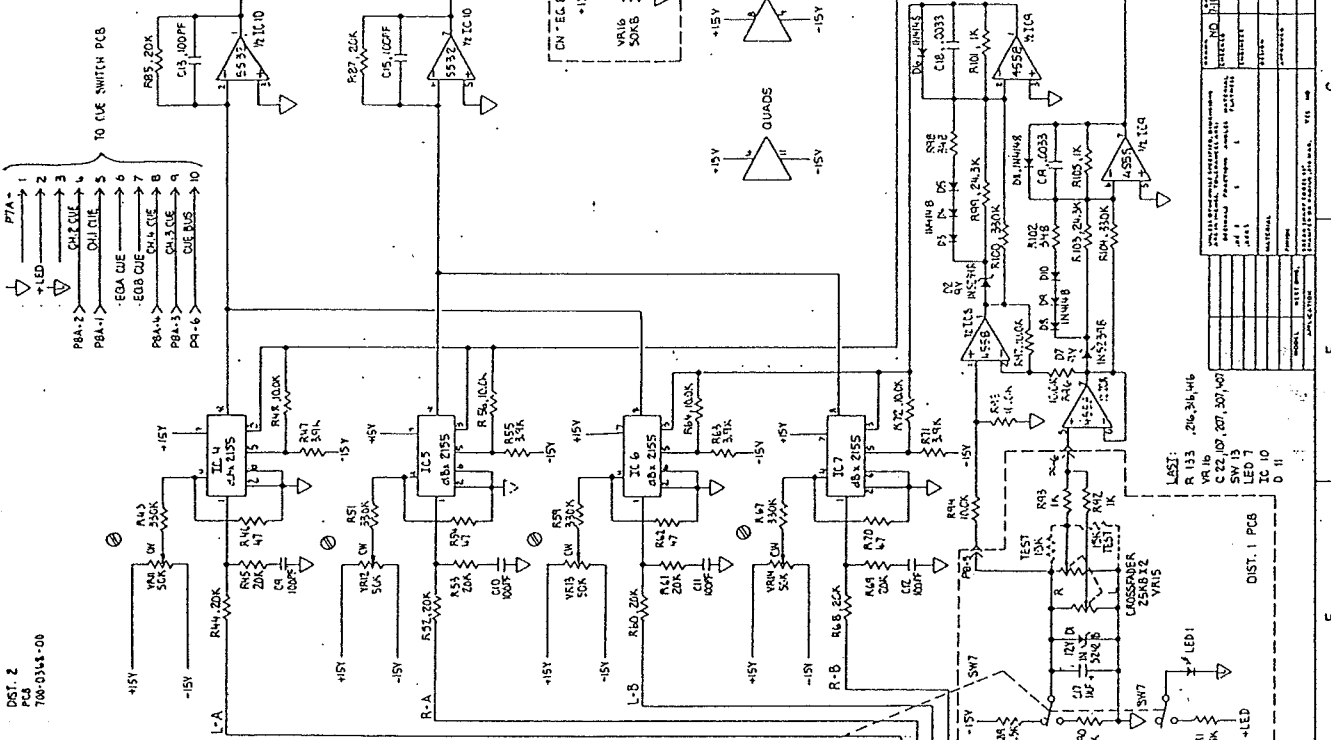


BIAMP SYSTEMS SCM7501 OUTPUT PCB REV C  
 380-0361-01 REV C  
 SCM7501 OUTPUT PCB  
 Sheet 1 of 5 : Silscreen

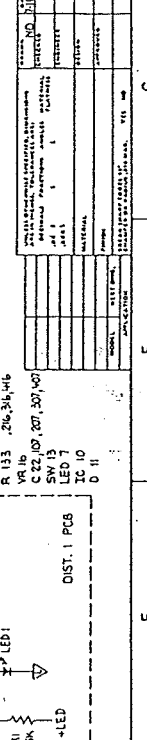
BIAMP SYSTEMS  
 14270 N.W. Science Park Drive  
 Portland, Oregon 97229  
 (503) 641-7287

REV	DATE	BY	CHKD	DESCRIPTION
1				SCM7501 OUTPUT PCB REV C
2				SCM7501 OUTPUT PCB REV C
3				SCM7501 OUTPUT PCB REV C
4				SCM7501 OUTPUT PCB REV C
5				SCM7501 OUTPUT PCB REV C
6				SCM7501 OUTPUT PCB REV C
7				SCM7501 OUTPUT PCB REV C
8				SCM7501 OUTPUT PCB REV C
9				SCM7501 OUTPUT PCB REV C
10				SCM7501 OUTPUT PCB REV C

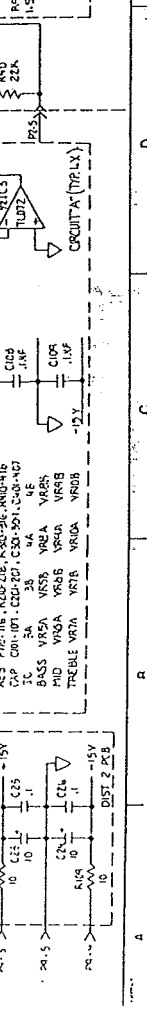
REV	DATE	DESCRIPTION
1	11/20/70	INITIAL DESIGN
2	12/15/70	REVISED TO ADD TEST POINTS
3	01/10/71	REVISED TO ADD TEST POINTS
4	02/05/71	REVISED TO ADD TEST POINTS
5	03/01/71	REVISED TO ADD TEST POINTS
6	04/01/71	REVISED TO ADD TEST POINTS
7	05/01/71	REVISED TO ADD TEST POINTS
8	06/01/71	REVISED TO ADD TEST POINTS
9	07/01/71	REVISED TO ADD TEST POINTS
10	08/01/71	REVISED TO ADD TEST POINTS



REV	DATE	DESCRIPTION
1	11/20/70	INITIAL DESIGN
2	12/15/70	REVISED TO ADD TEST POINTS
3	01/10/71	REVISED TO ADD TEST POINTS
4	02/05/71	REVISED TO ADD TEST POINTS
5	03/01/71	REVISED TO ADD TEST POINTS
6	04/01/71	REVISED TO ADD TEST POINTS
7	05/01/71	REVISED TO ADD TEST POINTS
8	06/01/71	REVISED TO ADD TEST POINTS
9	07/01/71	REVISED TO ADD TEST POINTS
10	08/01/71	REVISED TO ADD TEST POINTS



REV	DATE	DESCRIPTION
1	11/20/70	INITIAL DESIGN
2	12/15/70	REVISED TO ADD TEST POINTS
3	01/10/71	REVISED TO ADD TEST POINTS
4	02/05/71	REVISED TO ADD TEST POINTS
5	03/01/71	REVISED TO ADD TEST POINTS
6	04/01/71	REVISED TO ADD TEST POINTS
7	05/01/71	REVISED TO ADD TEST POINTS
8	06/01/71	REVISED TO ADD TEST POINTS
9	07/01/71	REVISED TO ADD TEST POINTS
10	08/01/71	REVISED TO ADD TEST POINTS

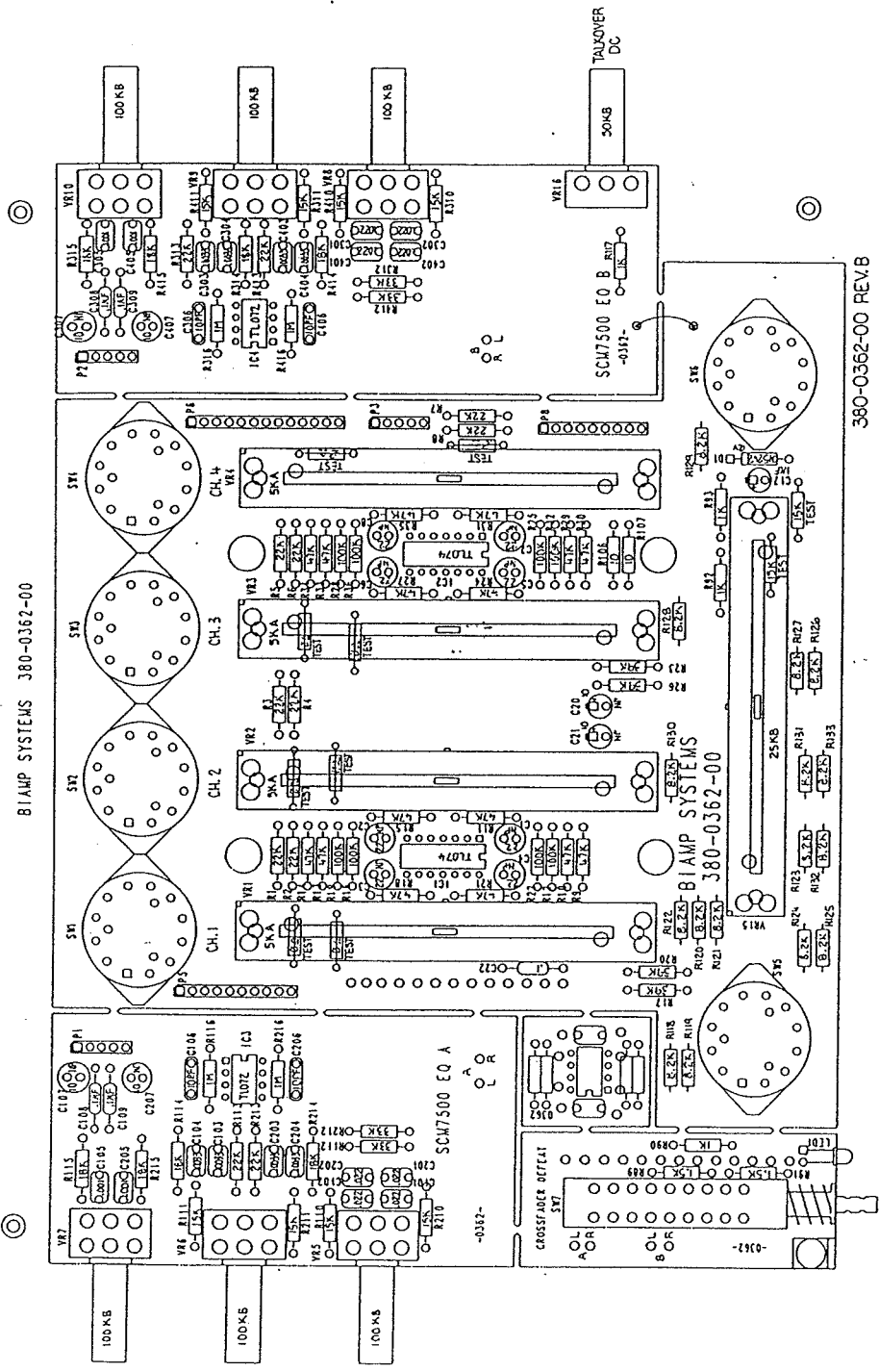


biomark  
SCHEMATIC  
SCM 7600 DISTRIBUTION I & 2

700-0314-00  
700-0314-00  
700-0314-00

A	128-00	REV. 1	100% TESTED	100% TESTED	100% TESTED
B	135-00	REV. 1	100% TESTED	100% TESTED	100% TESTED

2



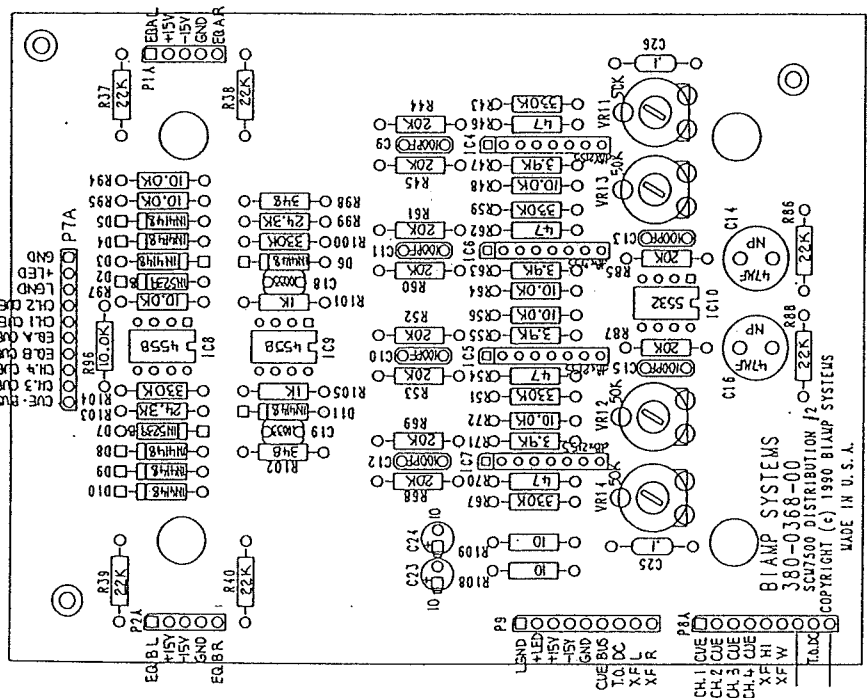
BIAMP SYSTEMS 380-0362-00

380-0362-00 REV/B

NOTE: \*TEST\* 0.04M RESISTORS (QUANTITY 2)  
AND \*TEST\* 15K RESISTORS (QUANTITY 2) TO  
BE REMOVED AFTER PRETEST.

BIAMP SYSTEMS, INC.		blamp	
10000 N.W. 100th Ave., Suite 100, Miami, FL 33178		SCM7500 DISTRIBUTION # 1	
PART #		COMPONENT LAYOUT	
REV. 1		REV. 1	
DATE		DATE	
BY		BY	
CHECKED		CHECKED	
APPROVED		APPROVED	
SCALE 2/1		SCALE 2/1	

ALL DIMENSIONS IN INCHES UNLESS OTHERWISE SPECIFIED. DIMENSIONS IN PARENTHESES INDICATE TOLERANCES. DIMENSIONS IN BRACKETS INDICATE TYPICAL DIMENSIONS. DIMENSIONS IN SQUARE BRACKETS INDICATE MINIMUM DIMENSIONS. DIMENSIONS IN CIRCLES INDICATE MAXIMUM DIMENSIONS.

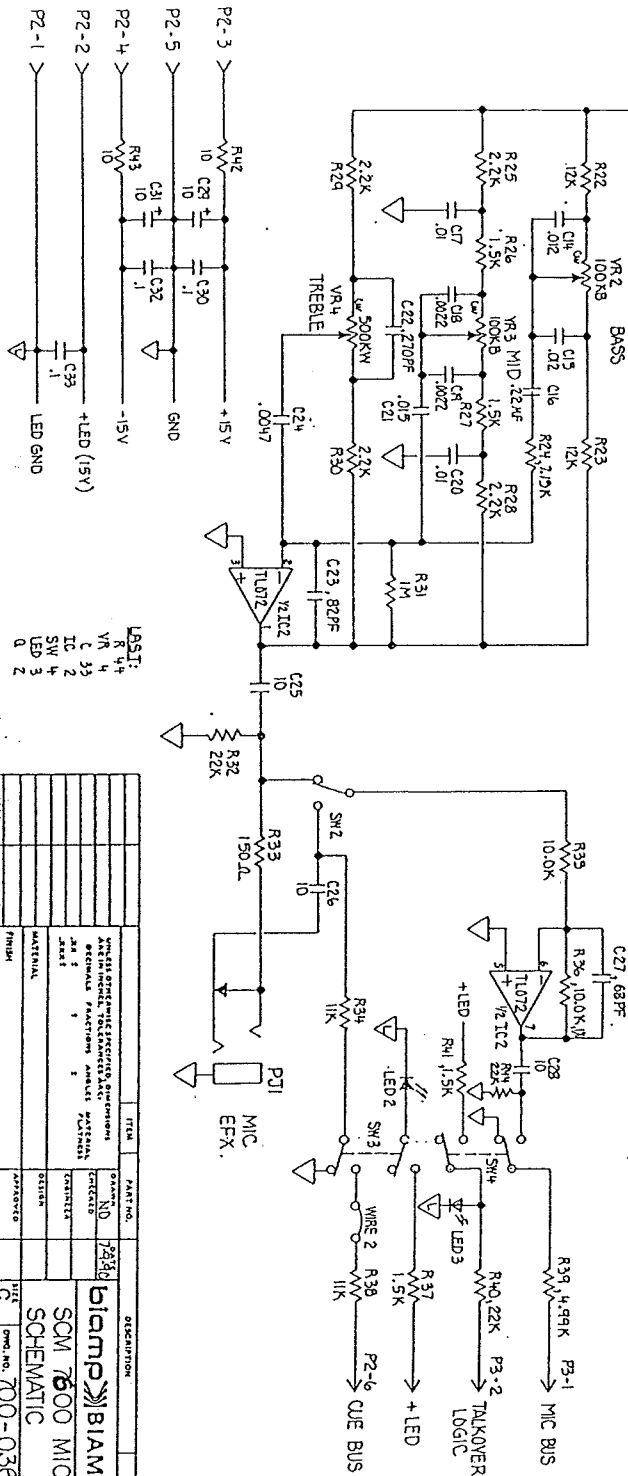
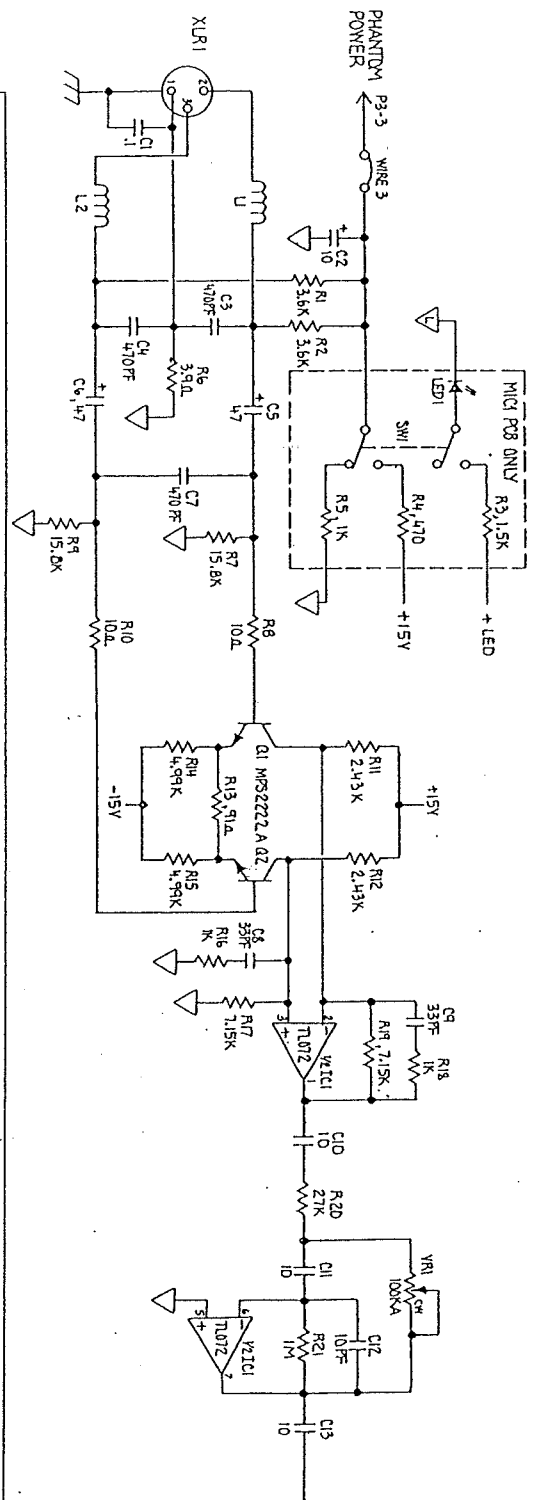


BIAMP SYSTEMS  
 380-0368-00  
 SCW7500 DISTRIBUTION #2  
 MADE IN U.S.A.  
 380-0368-00 REV A  
 SCW7500 Distribution #2  
 Sheet 1 of 5 : Silkscreen

BIAMP SYSTEMS  
 14270 N.W. Science Park Drive  
 Portland, Oregon 97229  
 (503) 641-7287

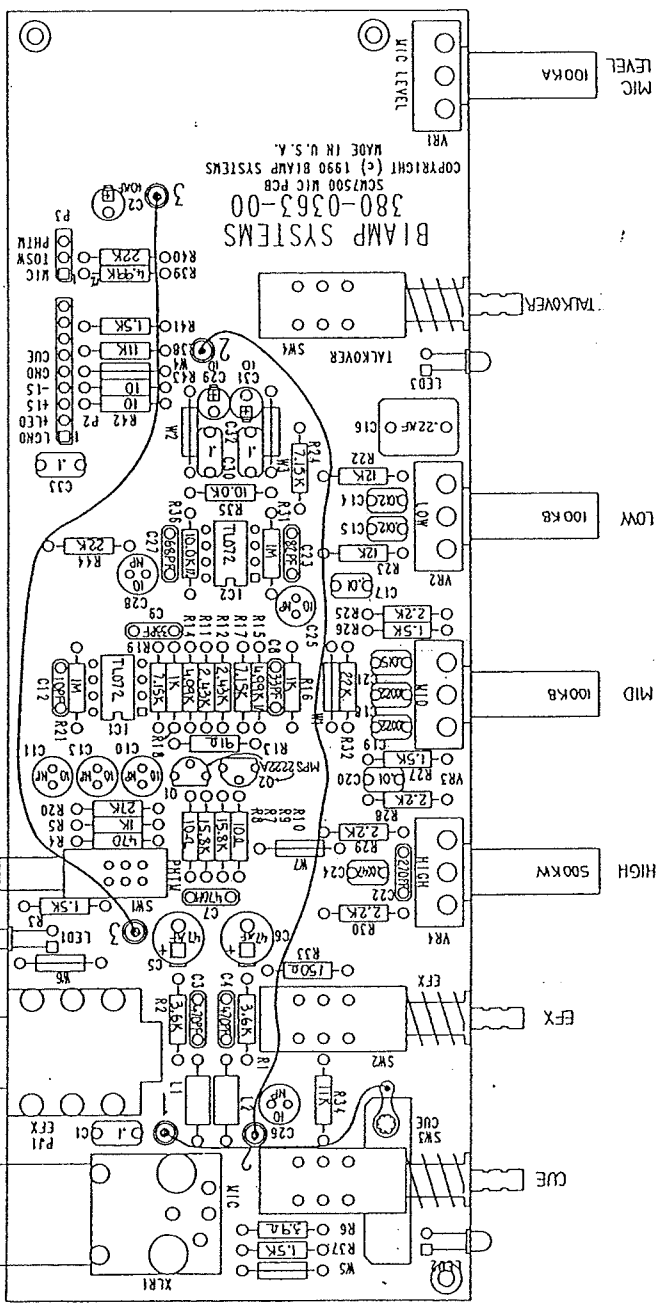
ITEM	PART NO.	DESCRIPTION	QTY.
	82750	BIAMP SYSTEMS	
		SCM 7600 DISTRIBUTION #2 COMPONENT LAYOUT	
		REV. B	
		SCALE 2/1 DO NOT SCALE DRAWING	





LSA:TI  
R 44  
C 33  
SW 4  
LED 3  
D 2

ITEM	QTY	DESCRIPTION	UNIT	QTY
1	1	SCM 7600 MIC PCB	PCB	1
2	1	SCHEMATIC	DOC	1
3	1	700-0363-00	PCB	1
4	1	DO NOT SCALE DRAWING	SHEET / OF 1	1

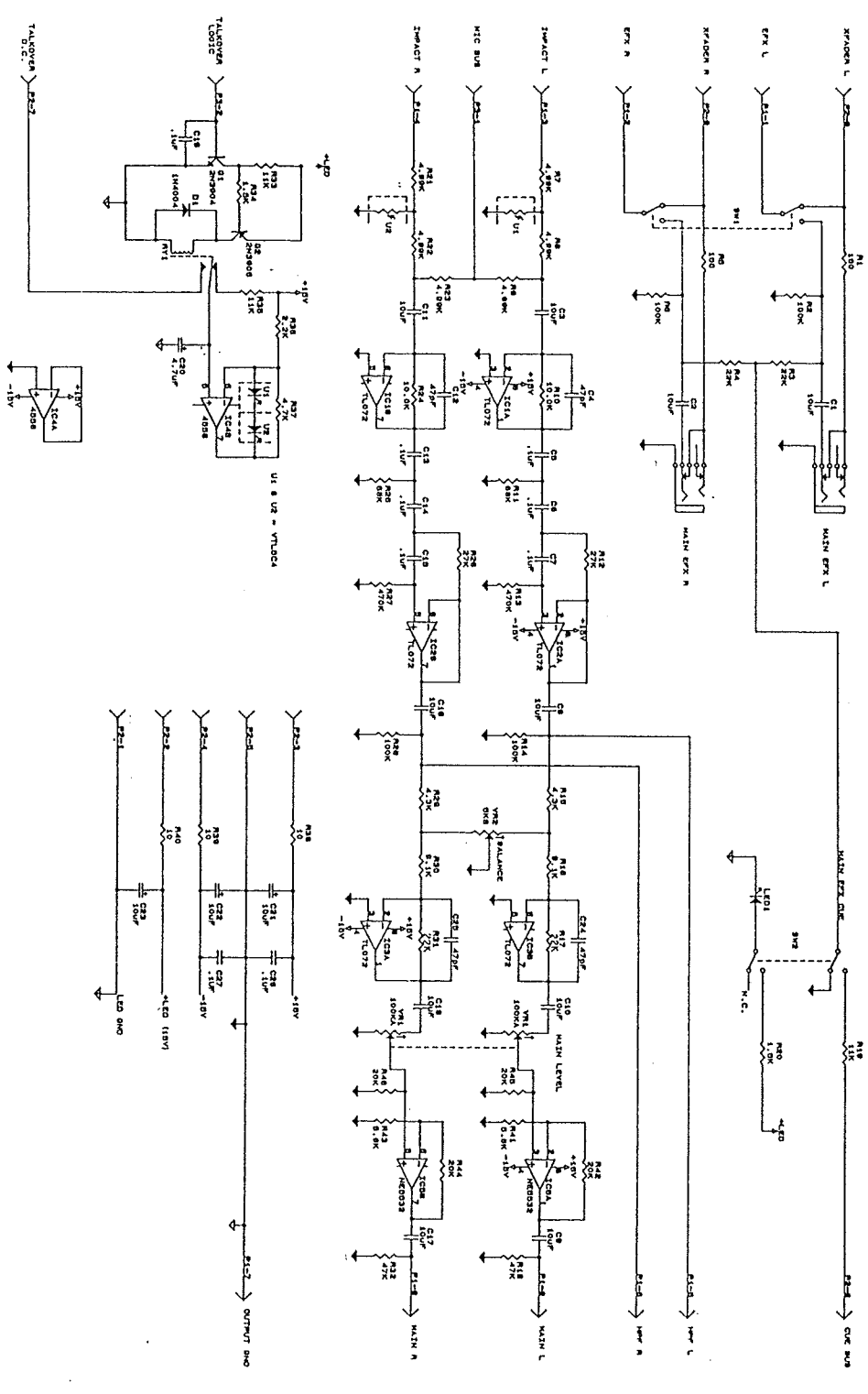


MODEL	REV. DWG.	APPROVAL	DATE	BY	CHK.
SCM 7600 MIC PCB	7600-00	APPROVED	7/22/90		
<b>BIAMP SYSTEMS</b> SCM 7600 MIC PCB COMPONENT LAYOUT					
DATE	SCALE	DO NOT SCALE DRAWING	INCHES 1 OR 1/2		
7/22/90	2/1				

1 2 3 4

A B C D

THESE SCHEMATIC DRAWINGS ARE UNLESS OTHERWISE SPECIFIED TO BE IN ACCORDANCE WITH THE SCHEMATIC DRAWING STANDARDS OF THE INTERNATIONAL ELECTRONIC SYMBOLS COMMISSION (I.E.S.C.)



ITEM	DESCRIPTION	QTY	UNIT
1	UNLID	1	PCB
2	RESISTORS	40	VAR
3	CAPACITORS	15	VAR
4	IC'S	2	VAR
5	DIODES	1	VAR
6	TRANSISTORS	1	VAR
7	RELAYS	1	VAR
8	CONNECTORS	1	VAR
9	PRINTED CIRCUIT BOARD	1	PCB
10	SCHEMATIC DRAWING	1	DRG

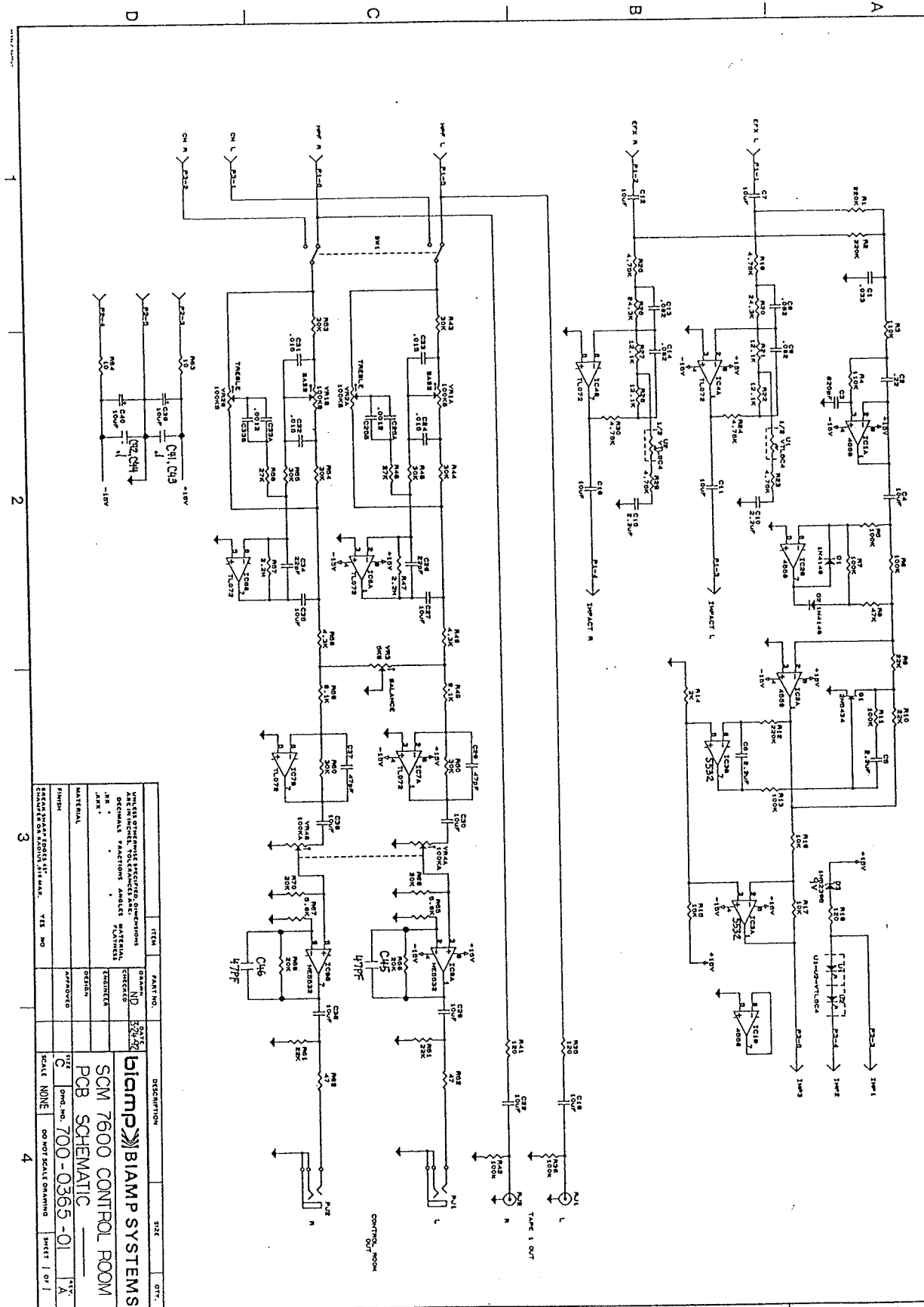
REV. NO.	DATE	BY	CHKD.
01	01/01/84	J.M.	J.M.
DESCRIPTION	DESIGNED BY	DRAWN BY	CHECKED BY
SCM 7600 MAIN PCB SCHEMATIC	J.M.	J.M.	J.M.
MATERIAL	DESIGNED BY	DRAWN BY	CHECKED BY
SCM 7600 MAIN PCB SCHEMATIC	J.M.	J.M.	J.M.
FINISH	SCALE	DATE	BY
SCM 7600 MAIN PCB SCHEMATIC	1:1	01/01/84	J.M.

SCM 7600 MAIN PCB SCHEMATIC  
 Dwg. No. 700-0364-01  
 SCALE 1:1  
 SHEET 1 OF 1

10



THESE DRAWINGS ARE THE PROPERTY OF BIAMP SYSTEMS, INC. AND ARE NOT TO BE REPRODUCED OR TRANSMITTED IN ANY FORM OR BY ANY MEANS, ELECTRONIC OR MECHANICAL, INCLUDING PHOTOCOPYING, RECORDING, OR BY ANY INFORMATION STORAGE AND RETRIEVAL SYSTEM.

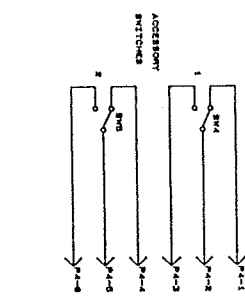
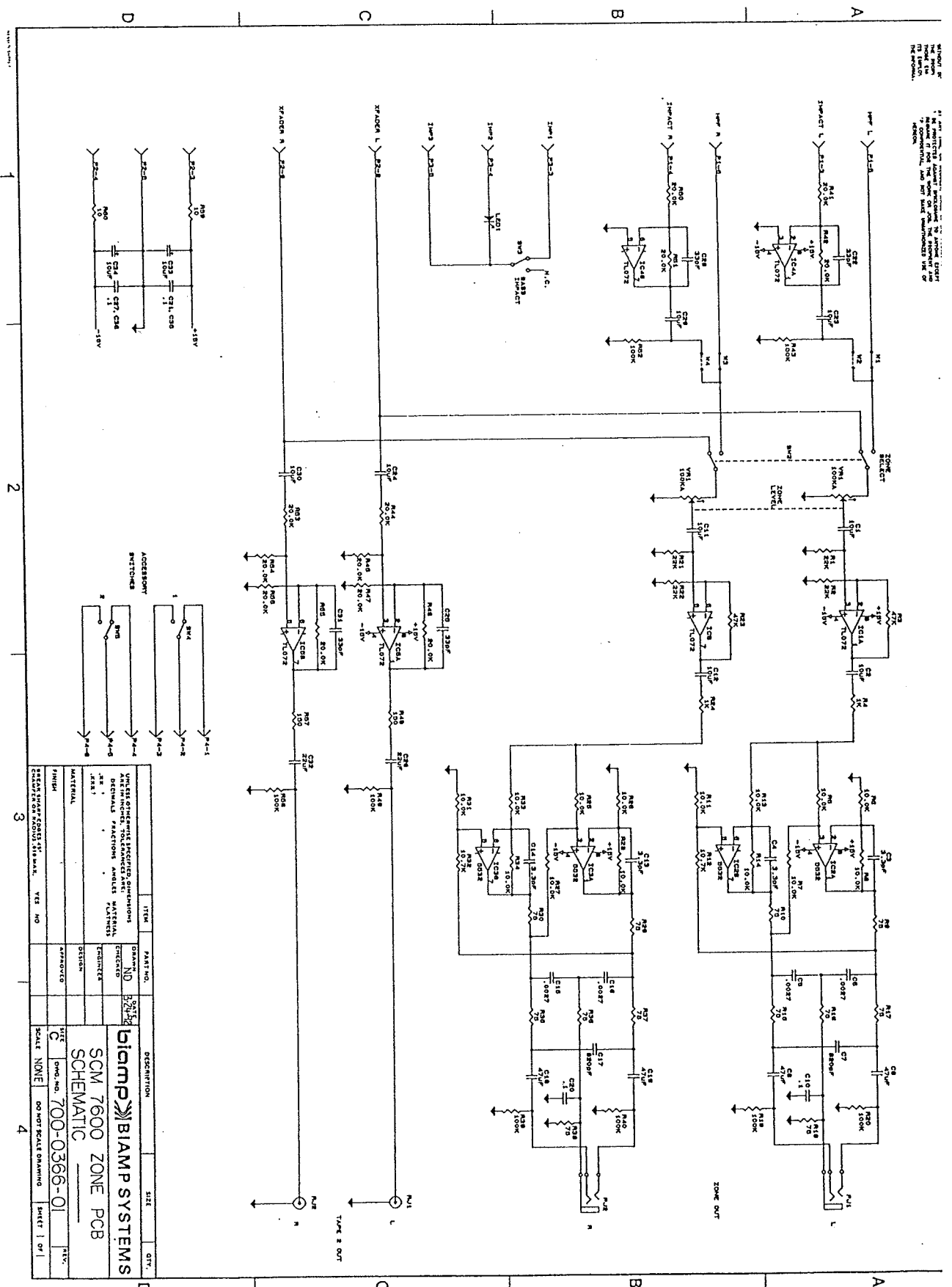


ITEM	PART NO.	DESCRIPTION	SIZE	QTY.
1	ND	BIAMP SYSTEMS		
2	ND	SCM 7600 CONTROL ROOM		
3	ND	PCB SCHEMATIC		
4	ND	700-0365-01		1
5	ND	DO NOT SCALE DIMENSIONS		1

12



WITHOUT AN  
 AUTHORITY  
 FROM THE  
 ENGINEER  
 IN CHARGE  
 OF THE  
 PROJECT  
 NO PART  
 OF THIS  
 DRAWING  
 IS TO BE  
 REPRODUCED  
 OR  
 TRANSMITTED  
 IN ANY  
 FORM OR  
 BY ANY  
 MEANS  
 WITHOUT  
 THE  
 WRITTEN  
 PERMISSION  
 OF THE  
 ENGINEER  
 IN CHARGE  
 OF THE  
 PROJECT



ITEM	DESCRIPTION	QTY
1	RESISTOR 20.0K	100
2	RESISTOR 20.0K	100
3	RESISTOR 20.0K	100
4	RESISTOR 20.0K	100
5	RESISTOR 20.0K	100
6	RESISTOR 20.0K	100
7	RESISTOR 20.0K	100
8	RESISTOR 20.0K	100
9	RESISTOR 20.0K	100
10	RESISTOR 20.0K	100
11	RESISTOR 20.0K	100
12	RESISTOR 20.0K	100
13	RESISTOR 20.0K	100
14	RESISTOR 20.0K	100
15	RESISTOR 20.0K	100
16	RESISTOR 20.0K	100
17	RESISTOR 20.0K	100
18	RESISTOR 20.0K	100
19	RESISTOR 20.0K	100
20	RESISTOR 20.0K	100
21	RESISTOR 20.0K	100
22	RESISTOR 20.0K	100
23	RESISTOR 20.0K	100
24	RESISTOR 20.0K	100
25	RESISTOR 20.0K	100
26	RESISTOR 20.0K	100
27	RESISTOR 20.0K	100
28	RESISTOR 20.0K	100
29	RESISTOR 20.0K	100
30	RESISTOR 20.0K	100
31	RESISTOR 20.0K	100
32	RESISTOR 20.0K	100
33	RESISTOR 20.0K	100
34	RESISTOR 20.0K	100
35	RESISTOR 20.0K	100
36	RESISTOR 20.0K	100
37	RESISTOR 20.0K	100
38	RESISTOR 20.0K	100
39	RESISTOR 20.0K	100
40	RESISTOR 20.0K	100
41	RESISTOR 20.0K	100
42	RESISTOR 20.0K	100
43	RESISTOR 20.0K	100
44	RESISTOR 20.0K	100
45	RESISTOR 20.0K	100
46	RESISTOR 20.0K	100
47	RESISTOR 20.0K	100
48	RESISTOR 20.0K	100
49	RESISTOR 20.0K	100
50	RESISTOR 20.0K	100
51	RESISTOR 20.0K	100
52	RESISTOR 20.0K	100
53	RESISTOR 20.0K	100
54	RESISTOR 20.0K	100
55	RESISTOR 20.0K	100
56	RESISTOR 20.0K	100
57	RESISTOR 20.0K	100
58	RESISTOR 20.0K	100
59	RESISTOR 20.0K	100
60	RESISTOR 20.0K	100
61	RESISTOR 20.0K	100
62	RESISTOR 20.0K	100
63	RESISTOR 20.0K	100
64	RESISTOR 20.0K	100
65	RESISTOR 20.0K	100
66	RESISTOR 20.0K	100
67	RESISTOR 20.0K	100
68	RESISTOR 20.0K	100
69	RESISTOR 20.0K	100
70	RESISTOR 20.0K	100
71	RESISTOR 20.0K	100
72	RESISTOR 20.0K	100
73	RESISTOR 20.0K	100
74	RESISTOR 20.0K	100
75	RESISTOR 20.0K	100
76	RESISTOR 20.0K	100
77	RESISTOR 20.0K	100
78	RESISTOR 20.0K	100
79	RESISTOR 20.0K	100
80	RESISTOR 20.0K	100
81	RESISTOR 20.0K	100
82	RESISTOR 20.0K	100
83	RESISTOR 20.0K	100
84	RESISTOR 20.0K	100
85	RESISTOR 20.0K	100
86	RESISTOR 20.0K	100
87	RESISTOR 20.0K	100
88	RESISTOR 20.0K	100
89	RESISTOR 20.0K	100
90	RESISTOR 20.0K	100
91	RESISTOR 20.0K	100
92	RESISTOR 20.0K	100
93	RESISTOR 20.0K	100
94	RESISTOR 20.0K	100
95	RESISTOR 20.0K	100
96	RESISTOR 20.0K	100
97	RESISTOR 20.0K	100
98	RESISTOR 20.0K	100
99	RESISTOR 20.0K	100
100	RESISTOR 20.0K	100

UNLESS OTHERWISE SPECIFIED, DIMENSIONS ARE IN INCHES. TOLERANCES ARE: MATERIAL .005" MAX.; FINISH .002" MAX. DIMENSIONS ARE IN MILLIMETERS. TOLERANCES ARE: MATERIAL .15" MAX.; FINISH .005" MAX.

DESCRIPTION: **BIAMP SYSTEMS**

SCM 7600 ZONE PCB

SCHEMATIC

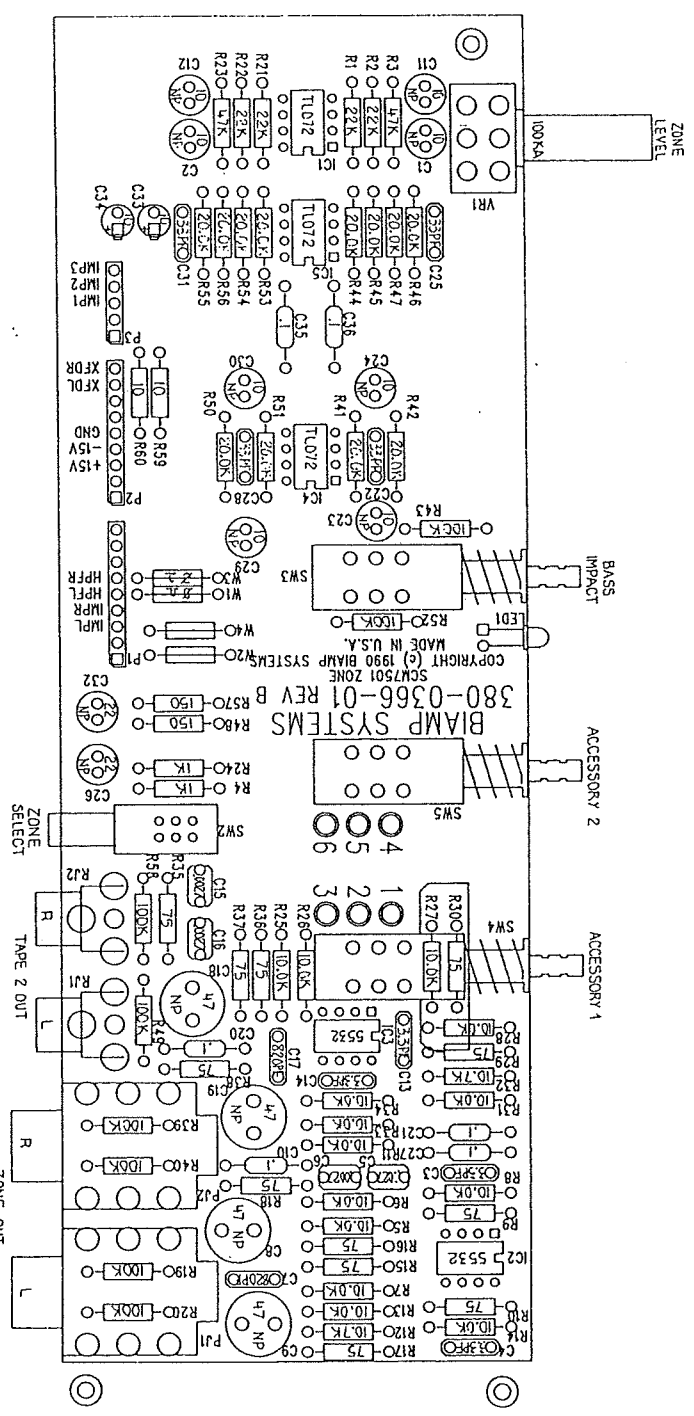
SCALE: NONE

DO NOT SCALE DRAWING

SHEET 1 OF 1

14

The drawings in this document are the property of Alpine Electronics, Inc. and shall not be reproduced, stored in a retrieval system, or transmitted in any form or by any means, electronic, mechanical, photocopying, recording, or by any information storage and retrieval system, without the prior written permission of Alpine Electronics, Inc. The user shall indemnify and hold harmless Alpine Electronics, Inc. from and against all claims, damages, losses, and expenses, including reasonable attorneys' fees, that may be asserted against or incurred by Alpine Electronics, Inc. or its subsidiaries, affiliates, or agents, in connection with the use of the information contained herein.



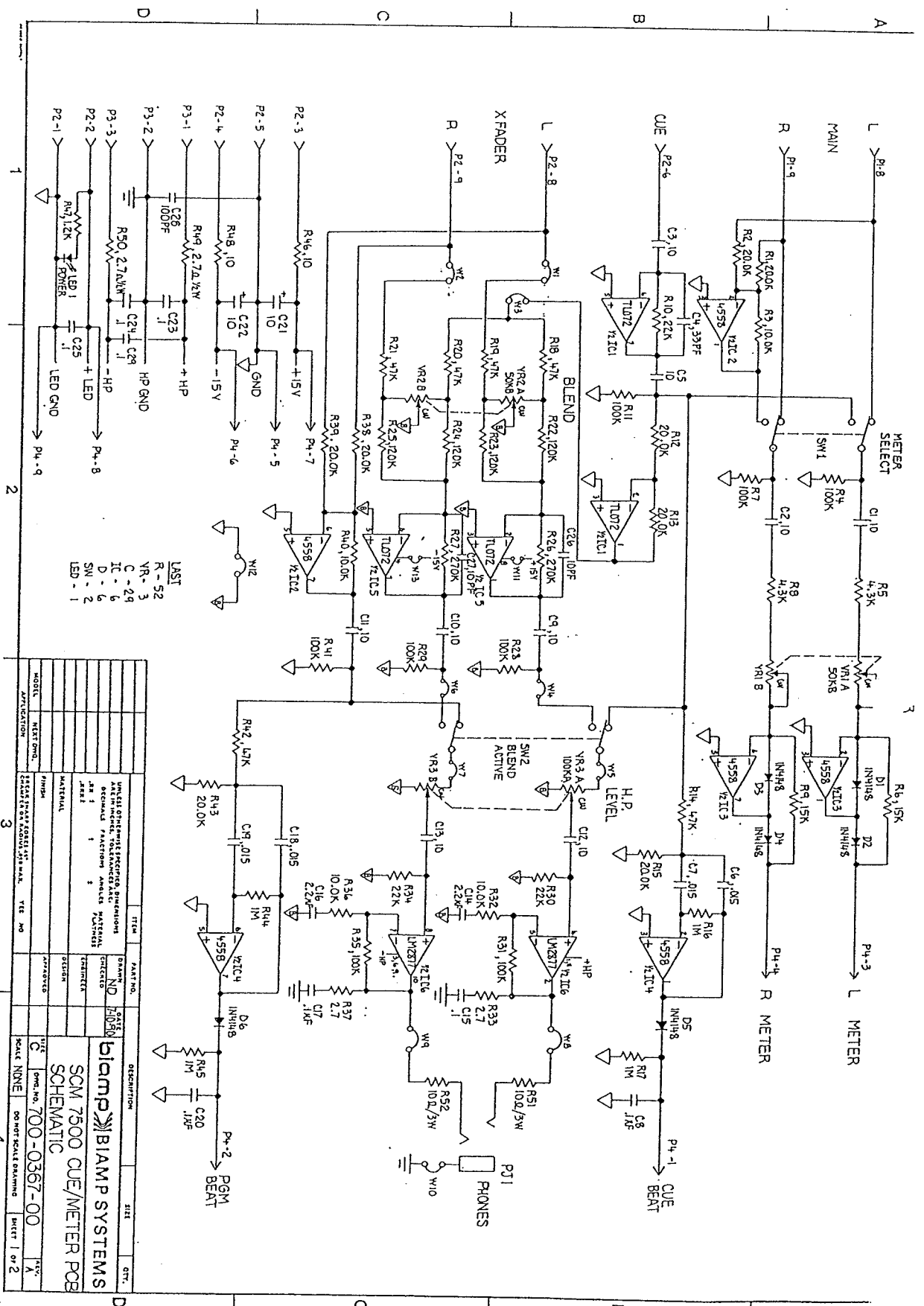
BIAMP SYSTEMS  
 14270 N.W. Science Park Drive  
 Portland, Oregon 97229  
 (503) 641-7287

380-0366-01 REV B  
 SCW7501 ZONE PCB

ITEM	PART NO.	DESCRIPTION	QTY.
1	NO 52592	BIAMP SYSTEMS SCM 7600 ZONE PCB COMPONENT LAYOUT	1
2	C	SCALE NONE	1
3		DO NOT SCALE DRAWING	1
4		SHEET 1 OF 1	1

15





ITEM	QTY	DESCRIPTION	REV
1	1	SCM 7500 CUE/METER PCB	A
2	1	SCM 7500 CUE/METER PCB	A
3	1	SCM 7500 CUE/METER PCB	A
4	1	SCM 7500 CUE/METER PCB	A

R - 52  
 C - 29  
 D - 6  
 S - 2  
 LED - 1

LAST  
 R - 52  
 C - 29  
 D - 6  
 S - 2  
 LED - 1

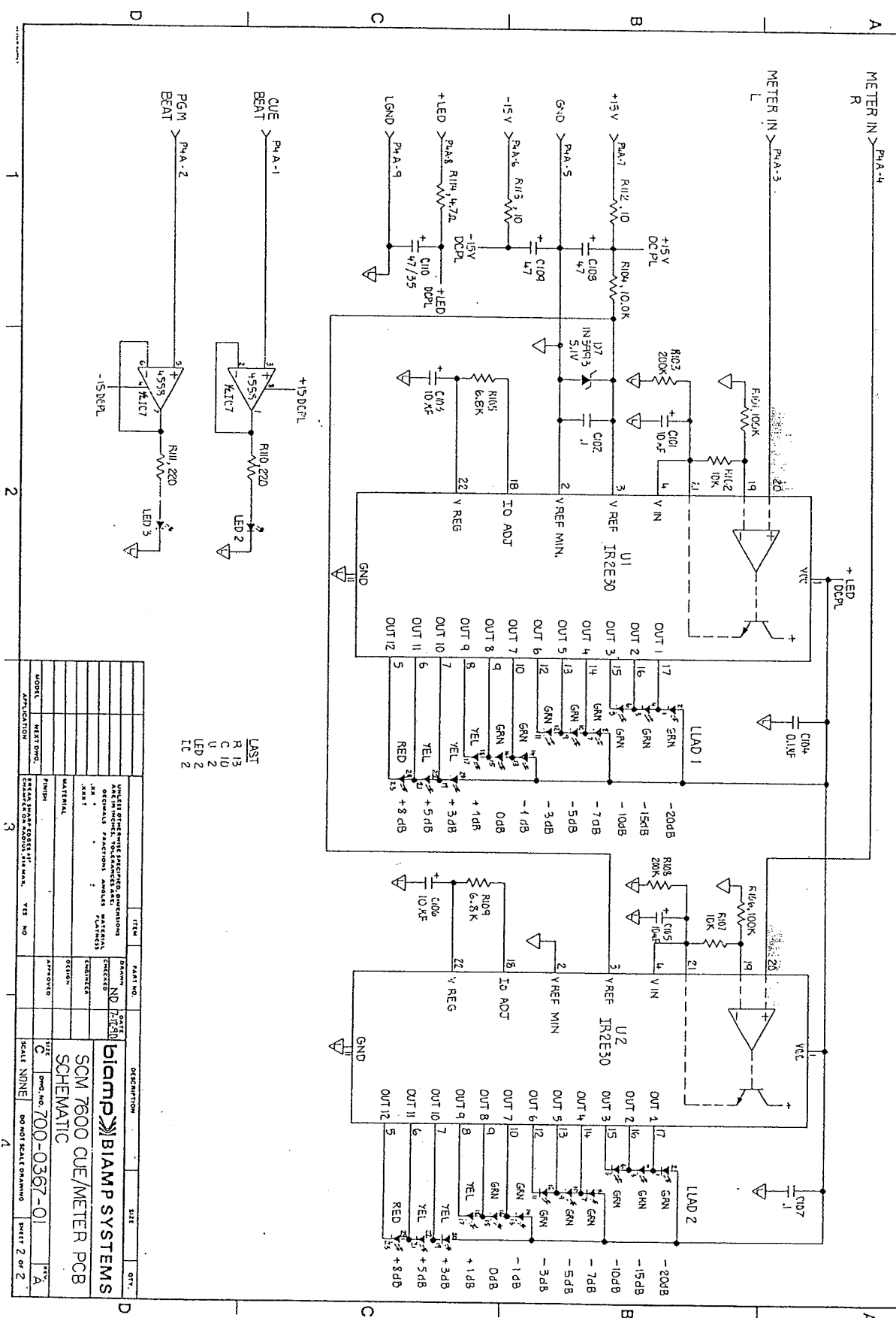
MODEL: APPLICATION: PART NO.: REV. NO.:  
 DATE: 10/15/81  
 DRAWN BY: JAM  
 CHECKED BY: JAM  
 DESIGNED BY: JAM  
 APPROVED BY: JAM  
 SCALE: NONE  
 DO NOT SCALE DRAWING

BIAMP SYSTEMS  
 700-0367-00  
 Schematic

SHEET 1 OF 2

16

THIS DRAWING IS THE PROPERTY OF BIAMP SYSTEMS, INC. IT IS TO BE USED ONLY FOR THE PROJECT AND QUANTITY SPECIFIED. IT IS NOT TO BE REPRODUCED, COPIED, OR TRANSMITTED IN ANY FORM OR BY ANY MEANS, ELECTRONIC OR MECHANICAL, INCLUDING PHOTOCOPYING, RECORDING, OR BY ANY INFORMATION STORAGE AND RETRIEVAL SYSTEM. BIAMP SYSTEMS, INC. IS NOT RESPONSIBLE FOR ANY DAMAGE TO PERSONS OR PROPERTY CAUSED BY THE USE OF THIS DRAWING.



ITEM	PART NO.	DESCRIPTION	SIZE	QTY.
1	NO. 7800	BIAMP SYSTEMS		
2	NO. 7800	SCM 7800 CUE/METER PCB		
3	NO. 700-0367-01	SCHEMATIC		
4	NO. 700-0367-01	SCHEMATIC		
5	NO. 700-0367-01	SCHEMATIC		
6	NO. 700-0367-01	SCHEMATIC		
7	NO. 700-0367-01	SCHEMATIC		
8	NO. 700-0367-01	SCHEMATIC		
9	NO. 700-0367-01	SCHEMATIC		
10	NO. 700-0367-01	SCHEMATIC		
11	NO. 700-0367-01	SCHEMATIC		
12	NO. 700-0367-01	SCHEMATIC		
13	NO. 700-0367-01	SCHEMATIC		
14	NO. 700-0367-01	SCHEMATIC		
15	NO. 700-0367-01	SCHEMATIC		
16	NO. 700-0367-01	SCHEMATIC		
17	NO. 700-0367-01	SCHEMATIC		
18	NO. 700-0367-01	SCHEMATIC		
19	NO. 700-0367-01	SCHEMATIC		
20	NO. 700-0367-01	SCHEMATIC		
21	NO. 700-0367-01	SCHEMATIC		
22	NO. 700-0367-01	SCHEMATIC		
23	NO. 700-0367-01	SCHEMATIC		
24	NO. 700-0367-01	SCHEMATIC		
25	NO. 700-0367-01	SCHEMATIC		
26	NO. 700-0367-01	SCHEMATIC		
27	NO. 700-0367-01	SCHEMATIC		
28	NO. 700-0367-01	SCHEMATIC		
29	NO. 700-0367-01	SCHEMATIC		
30	NO. 700-0367-01	SCHEMATIC		
31	NO. 700-0367-01	SCHEMATIC		
32	NO. 700-0367-01	SCHEMATIC		
33	NO. 700-0367-01	SCHEMATIC		
34	NO. 700-0367-01	SCHEMATIC		
35	NO. 700-0367-01	SCHEMATIC		
36	NO. 700-0367-01	SCHEMATIC		
37	NO. 700-0367-01	SCHEMATIC		
38	NO. 700-0367-01	SCHEMATIC		
39	NO. 700-0367-01	SCHEMATIC		
40	NO. 700-0367-01	SCHEMATIC		
41	NO. 700-0367-01	SCHEMATIC		
42	NO. 700-0367-01	SCHEMATIC		
43	NO. 700-0367-01	SCHEMATIC		
44	NO. 700-0367-01	SCHEMATIC		
45	NO. 700-0367-01	SCHEMATIC		
46	NO. 700-0367-01	SCHEMATIC		
47	NO. 700-0367-01	SCHEMATIC		
48	NO. 700-0367-01	SCHEMATIC		
49	NO. 700-0367-01	SCHEMATIC		
50	NO. 700-0367-01	SCHEMATIC		
51	NO. 700-0367-01	SCHEMATIC		
52	NO. 700-0367-01	SCHEMATIC		
53	NO. 700-0367-01	SCHEMATIC		
54	NO. 700-0367-01	SCHEMATIC		
55	NO. 700-0367-01	SCHEMATIC		
56	NO. 700-0367-01	SCHEMATIC		
57	NO. 700-0367-01	SCHEMATIC		
58	NO. 700-0367-01	SCHEMATIC		
59	NO. 700-0367-01	SCHEMATIC		
60	NO. 700-0367-01	SCHEMATIC		
61	NO. 700-0367-01	SCHEMATIC		
62	NO. 700-0367-01	SCHEMATIC		
63	NO. 700-0367-01	SCHEMATIC		
64	NO. 700-0367-01	SCHEMATIC		
65	NO. 700-0367-01	SCHEMATIC		
66	NO. 700-0367-01	SCHEMATIC		
67	NO. 700-0367-01	SCHEMATIC		
68	NO. 700-0367-01	SCHEMATIC		
69	NO. 700-0367-01	SCHEMATIC		
70	NO. 700-0367-01	SCHEMATIC		
71	NO. 700-0367-01	SCHEMATIC		
72	NO. 700-0367-01	SCHEMATIC		
73	NO. 700-0367-01	SCHEMATIC		
74	NO. 700-0367-01	SCHEMATIC		
75	NO. 700-0367-01	SCHEMATIC		
76	NO. 700-0367-01	SCHEMATIC		
77	NO. 700-0367-01	SCHEMATIC		
78	NO. 700-0367-01	SCHEMATIC		
79	NO. 700-0367-01	SCHEMATIC		
80	NO. 700-0367-01	SCHEMATIC		
81	NO. 700-0367-01	SCHEMATIC		
82	NO. 700-0367-01	SCHEMATIC		
83	NO. 700-0367-01	SCHEMATIC		
84	NO. 700-0367-01	SCHEMATIC		
85	NO. 700-0367-01	SCHEMATIC		
86	NO. 700-0367-01	SCHEMATIC		
87	NO. 700-0367-01	SCHEMATIC		
88	NO. 700-0367-01	SCHEMATIC		
89	NO. 700-0367-01	SCHEMATIC		
90	NO. 700-0367-01	SCHEMATIC		
91	NO. 700-0367-01	SCHEMATIC		
92	NO. 700-0367-01	SCHEMATIC		
93	NO. 700-0367-01	SCHEMATIC		
94	NO. 700-0367-01	SCHEMATIC		
95	NO. 700-0367-01	SCHEMATIC		
96	NO. 700-0367-01	SCHEMATIC		
97	NO. 700-0367-01	SCHEMATIC		
98	NO. 700-0367-01	SCHEMATIC		
99	NO. 700-0367-01	SCHEMATIC		
100	NO. 700-0367-01	SCHEMATIC		

LAST  
R 13  
C 10  
U 2  
LED 2  
LED 2  
LC 2

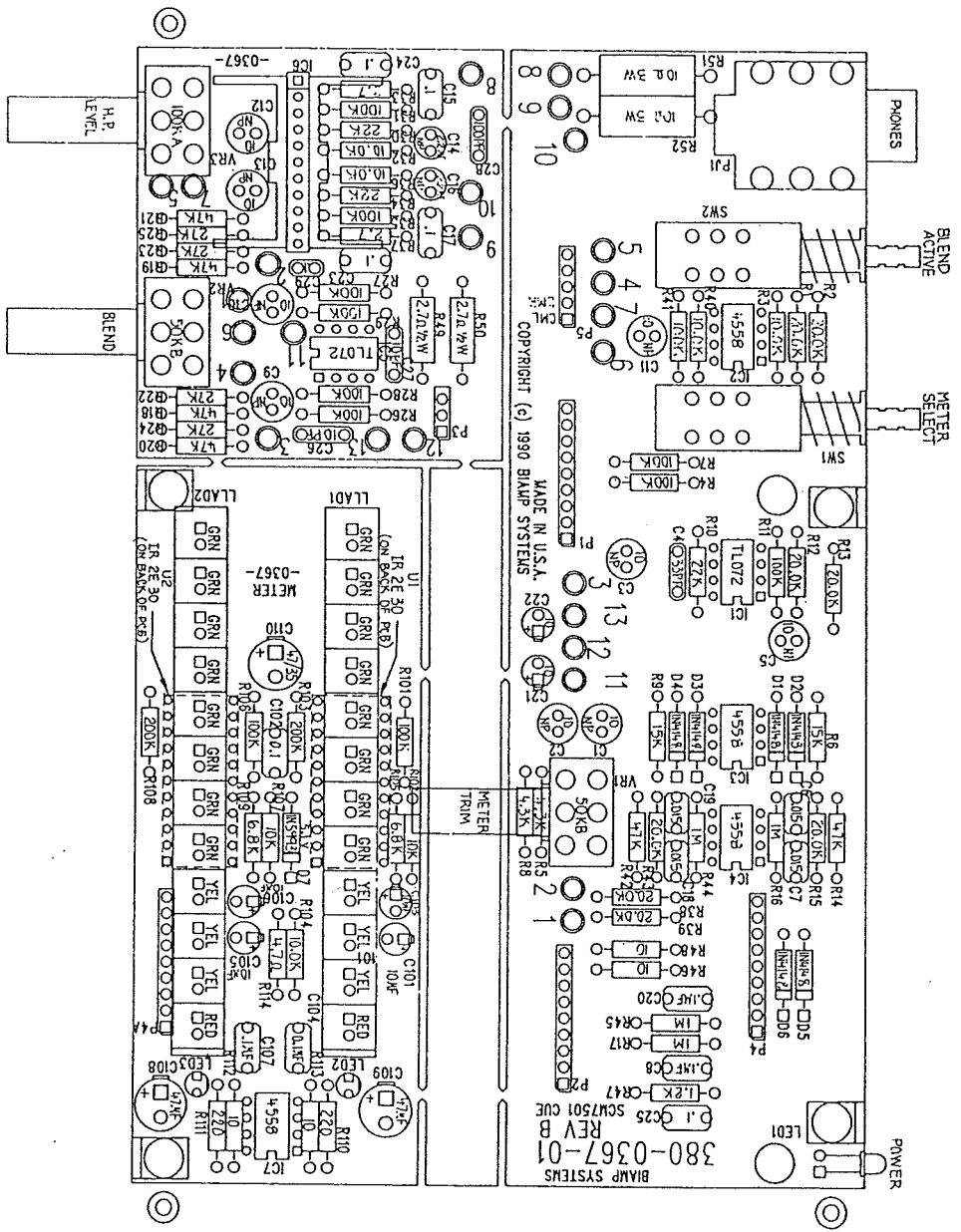
17

THIS DRAWING IS THE PROPERTY OF BIAMP SYSTEMS, INC. AND IS NOT TO BE REPRODUCED OR TRANSMITTED IN ANY FORM OR BY ANY MEANS, ELECTRONIC OR MECHANICAL, INCLUDING PHOTOCOPYING, RECORDING, OR BY ANY INFORMATION STORAGE AND RETRIEVAL SYSTEM. THE COMPANY ASSUMES NO LIABILITY FOR ANY DAMAGE OR LOSS OF PROFITS, BUSINESS, OR REVENUE, OR FOR ANY SPECIAL, INCIDENTAL, OR CONSEQUENTIAL DAMAGES, WHETHER IN A CONTRACT OR OTHERWISE, ARISING OUT OF OR IN CONNECTION WITH THIS DRAWING.

A: 100% UNCLIPPED VALUE: R22-R27 16-3421.NF

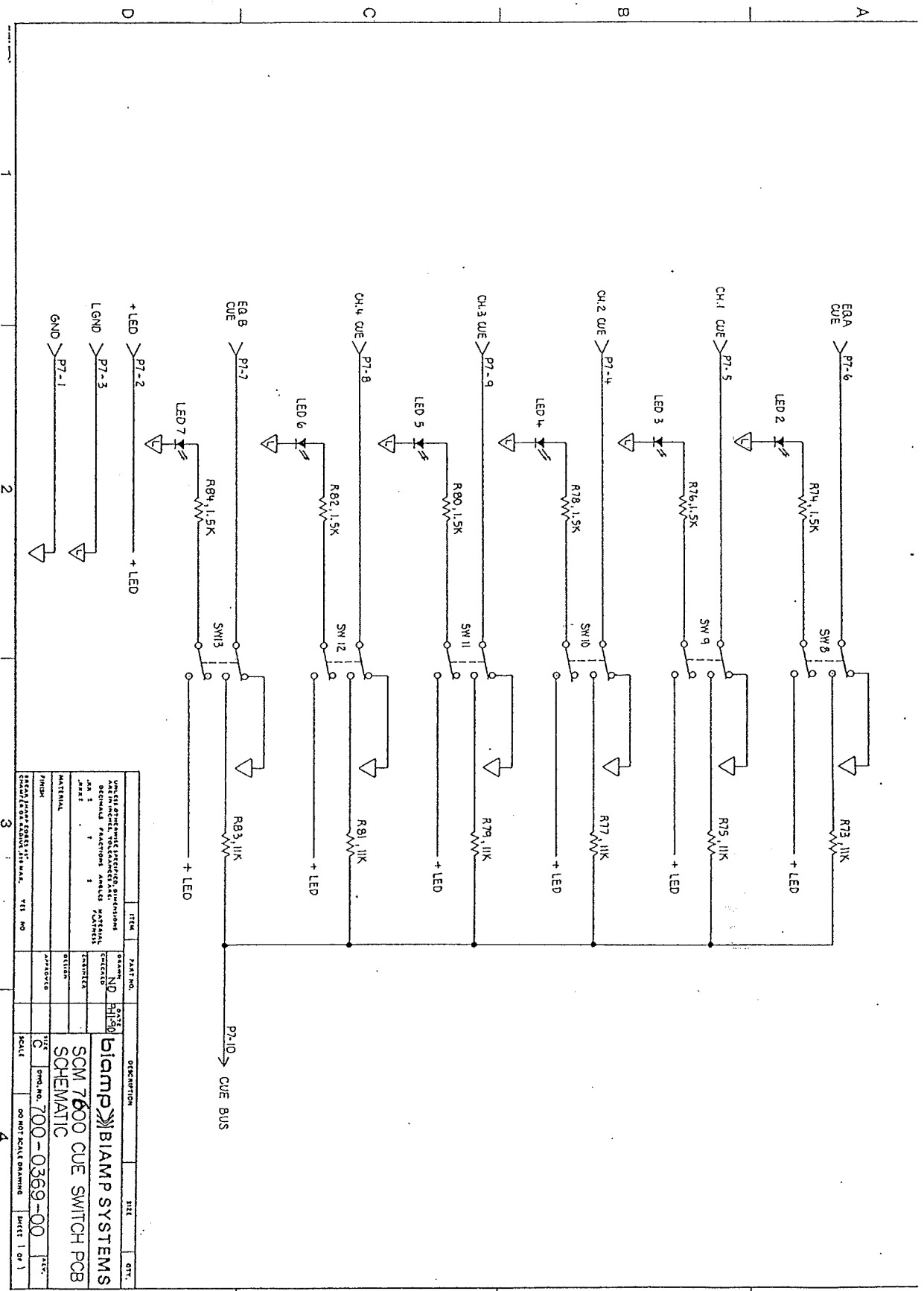
BIAMP SYSTEMS  
14270 N.W. Science Park Drive  
Portland, Oregon 97229  
(503) 641-7287

SCM7501 CUE/METER PCB 380-0367-01 REV B



ITEM	PART NO.	DESCRIPTION	SIZE	QTY.
1	SCM7501	BIAMP SYSTEMS		
2	ND 152520	BIAMP SYSTEMS		
3	SCM7501	SCM 7600 CUE/METER PCB		
4	701-0367-01	COMPONENT LAYOUT		
5	701-0367-01	COMPONENT LAYOUT		
6	701-0367-01	COMPONENT LAYOUT		
7	701-0367-01	COMPONENT LAYOUT		
8	701-0367-01	COMPONENT LAYOUT		
9	701-0367-01	COMPONENT LAYOUT		
10	701-0367-01	COMPONENT LAYOUT		
11	701-0367-01	COMPONENT LAYOUT		
12	701-0367-01	COMPONENT LAYOUT		
13	701-0367-01	COMPONENT LAYOUT		
14	701-0367-01	COMPONENT LAYOUT		
15	701-0367-01	COMPONENT LAYOUT		
16	701-0367-01	COMPONENT LAYOUT		
17	701-0367-01	COMPONENT LAYOUT		
18	701-0367-01	COMPONENT LAYOUT		
19	701-0367-01	COMPONENT LAYOUT		
20	701-0367-01	COMPONENT LAYOUT		
21	701-0367-01	COMPONENT LAYOUT		
22	701-0367-01	COMPONENT LAYOUT		
23	701-0367-01	COMPONENT LAYOUT		
24	701-0367-01	COMPONENT LAYOUT		
25	701-0367-01	COMPONENT LAYOUT		
26	701-0367-01	COMPONENT LAYOUT		
27	701-0367-01	COMPONENT LAYOUT		
28	701-0367-01	COMPONENT LAYOUT		
29	701-0367-01	COMPONENT LAYOUT		
30	701-0367-01	COMPONENT LAYOUT		
31	701-0367-01	COMPONENT LAYOUT		
32	701-0367-01	COMPONENT LAYOUT		
33	701-0367-01	COMPONENT LAYOUT		
34	701-0367-01	COMPONENT LAYOUT		
35	701-0367-01	COMPONENT LAYOUT		
36	701-0367-01	COMPONENT LAYOUT		
37	701-0367-01	COMPONENT LAYOUT		
38	701-0367-01	COMPONENT LAYOUT		
39	701-0367-01	COMPONENT LAYOUT		
40	701-0367-01	COMPONENT LAYOUT		
41	701-0367-01	COMPONENT LAYOUT		
42	701-0367-01	COMPONENT LAYOUT		
43	701-0367-01	COMPONENT LAYOUT		
44	701-0367-01	COMPONENT LAYOUT		
45	701-0367-01	COMPONENT LAYOUT		
46	701-0367-01	COMPONENT LAYOUT		
47	701-0367-01	COMPONENT LAYOUT		
48	701-0367-01	COMPONENT LAYOUT		
49	701-0367-01	COMPONENT LAYOUT		
50	701-0367-01	COMPONENT LAYOUT		
51	701-0367-01	COMPONENT LAYOUT		
52	701-0367-01	COMPONENT LAYOUT		
53	701-0367-01	COMPONENT LAYOUT		
54	701-0367-01	COMPONENT LAYOUT		
55	701-0367-01	COMPONENT LAYOUT		
56	701-0367-01	COMPONENT LAYOUT		
57	701-0367-01	COMPONENT LAYOUT		
58	701-0367-01	COMPONENT LAYOUT		
59	701-0367-01	COMPONENT LAYOUT		
60	701-0367-01	COMPONENT LAYOUT		
61	701-0367-01	COMPONENT LAYOUT		
62	701-0367-01	COMPONENT LAYOUT		
63	701-0367-01	COMPONENT LAYOUT		
64	701-0367-01	COMPONENT LAYOUT		
65	701-0367-01	COMPONENT LAYOUT		
66	701-0367-01	COMPONENT LAYOUT		
67	701-0367-01	COMPONENT LAYOUT		
68	701-0367-01	COMPONENT LAYOUT		
69	701-0367-01	COMPONENT LAYOUT		
70	701-0367-01	COMPONENT LAYOUT		
71	701-0367-01	COMPONENT LAYOUT		
72	701-0367-01	COMPONENT LAYOUT		
73	701-0367-01	COMPONENT LAYOUT		
74	701-0367-01	COMPONENT LAYOUT		
75	701-0367-01	COMPONENT LAYOUT		
76	701-0367-01	COMPONENT LAYOUT		
77	701-0367-01	COMPONENT LAYOUT		
78	701-0367-01	COMPONENT LAYOUT		
79	701-0367-01	COMPONENT LAYOUT		
80	701-0367-01	COMPONENT LAYOUT		
81	701-0367-01	COMPONENT LAYOUT		
82	701-0367-01	COMPONENT LAYOUT		
83	701-0367-01	COMPONENT LAYOUT		
84	701-0367-01	COMPONENT LAYOUT		
85	701-0367-01	COMPONENT LAYOUT		
86	701-0367-01	COMPONENT LAYOUT		
87	701-0367-01	COMPONENT LAYOUT		
88	701-0367-01	COMPONENT LAYOUT		
89	701-0367-01	COMPONENT LAYOUT		
90	701-0367-01	COMPONENT LAYOUT		
91	701-0367-01	COMPONENT LAYOUT		
92	701-0367-01	COMPONENT LAYOUT		
93	701-0367-01	COMPONENT LAYOUT		
94	701-0367-01	COMPONENT LAYOUT		
95	701-0367-01	COMPONENT LAYOUT		
96	701-0367-01	COMPONENT LAYOUT		
97	701-0367-01	COMPONENT LAYOUT		
98	701-0367-01	COMPONENT LAYOUT		
99	701-0367-01	COMPONENT LAYOUT		
100	701-0367-01	COMPONENT LAYOUT		

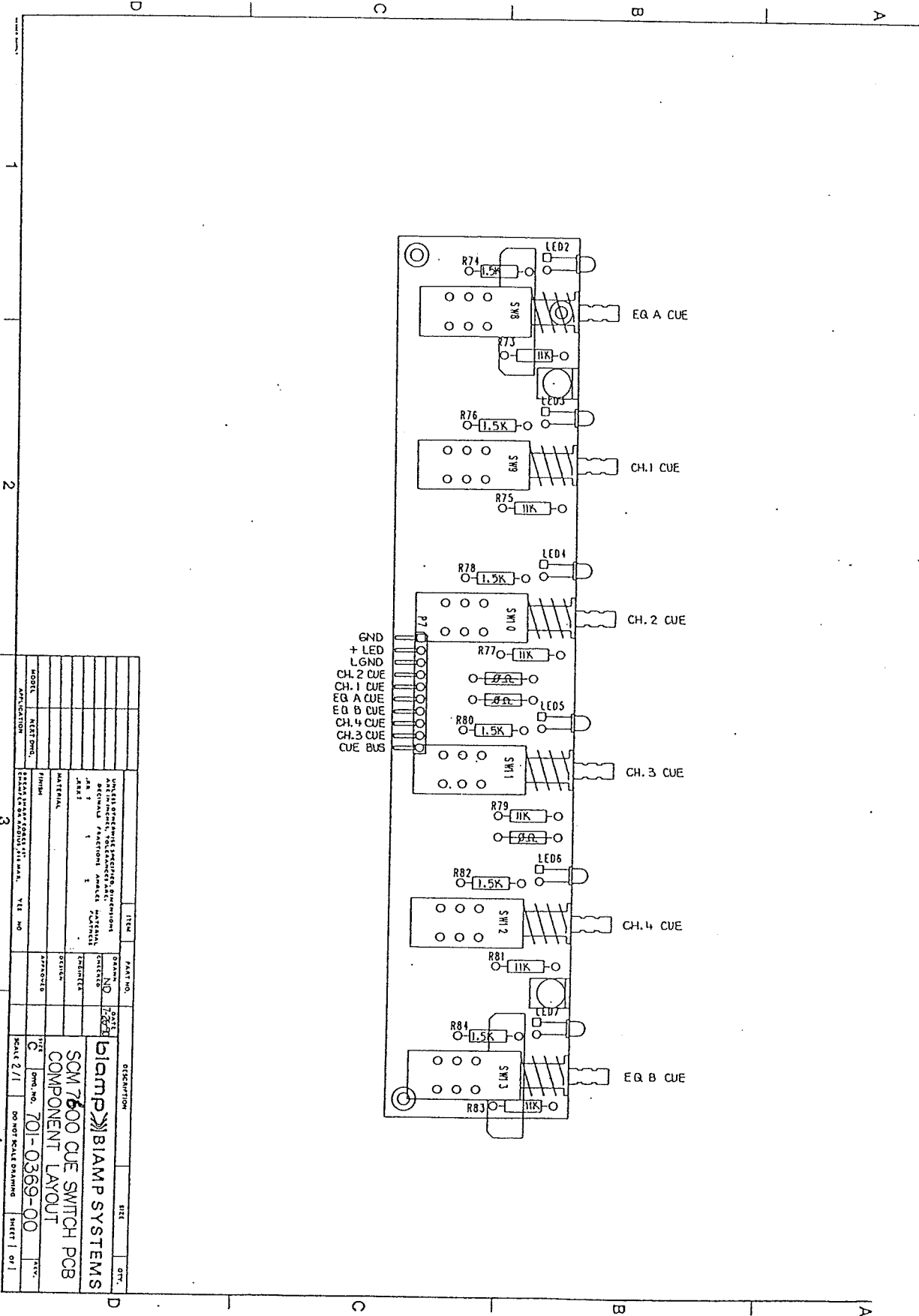
18



UNLESS OTHERWISE SPECIFIED DIMENSIONS ARE IN INCHES. TOLERANCES ARE AS NOTED.	ITEM	QTY	DESCRIPTION	REV.
REWORKED PARTS ARE IDENTIFIED BY A MARKING.	1	1	PCB	1
REWORKED PARTS ARE IDENTIFIED BY A MARKING.	2	1	PCB	1
REWORKED PARTS ARE IDENTIFIED BY A MARKING.	3	1	PCB	1
REWORKED PARTS ARE IDENTIFIED BY A MARKING.	4	1	PCB	1
REWORKED PARTS ARE IDENTIFIED BY A MARKING.	5	1	PCB	1
REWORKED PARTS ARE IDENTIFIED BY A MARKING.	6	1	PCB	1
REWORKED PARTS ARE IDENTIFIED BY A MARKING.	7	1	PCB	1
REWORKED PARTS ARE IDENTIFIED BY A MARKING.	8	1	PCB	1
REWORKED PARTS ARE IDENTIFIED BY A MARKING.	9	1	PCB	1
REWORKED PARTS ARE IDENTIFIED BY A MARKING.	10	1	PCB	1
REWORKED PARTS ARE IDENTIFIED BY A MARKING.	11	1	PCB	1
REWORKED PARTS ARE IDENTIFIED BY A MARKING.	12	1	PCB	1
REWORKED PARTS ARE IDENTIFIED BY A MARKING.	13	1	PCB	1
REWORKED PARTS ARE IDENTIFIED BY A MARKING.	14	1	PCB	1
REWORKED PARTS ARE IDENTIFIED BY A MARKING.	15	1	PCB	1
REWORKED PARTS ARE IDENTIFIED BY A MARKING.	16	1	PCB	1
REWORKED PARTS ARE IDENTIFIED BY A MARKING.	17	1	PCB	1
REWORKED PARTS ARE IDENTIFIED BY A MARKING.	18	1	PCB	1
REWORKED PARTS ARE IDENTIFIED BY A MARKING.	19	1	PCB	1
REWORKED PARTS ARE IDENTIFIED BY A MARKING.	20	1	PCB	1
REWORKED PARTS ARE IDENTIFIED BY A MARKING.	21	1	PCB	1
REWORKED PARTS ARE IDENTIFIED BY A MARKING.	22	1	PCB	1
REWORKED PARTS ARE IDENTIFIED BY A MARKING.	23	1	PCB	1
REWORKED PARTS ARE IDENTIFIED BY A MARKING.	24	1	PCB	1
REWORKED PARTS ARE IDENTIFIED BY A MARKING.	25	1	PCB	1
REWORKED PARTS ARE IDENTIFIED BY A MARKING.	26	1	PCB	1
REWORKED PARTS ARE IDENTIFIED BY A MARKING.	27	1	PCB	1
REWORKED PARTS ARE IDENTIFIED BY A MARKING.	28	1	PCB	1
REWORKED PARTS ARE IDENTIFIED BY A MARKING.	29	1	PCB	1
REWORKED PARTS ARE IDENTIFIED BY A MARKING.	30	1	PCB	1
REWORKED PARTS ARE IDENTIFIED BY A MARKING.	31	1	PCB	1
REWORKED PARTS ARE IDENTIFIED BY A MARKING.	32	1	PCB	1
REWORKED PARTS ARE IDENTIFIED BY A MARKING.	33	1	PCB	1
REWORKED PARTS ARE IDENTIFIED BY A MARKING.	34	1	PCB	1
REWORKED PARTS ARE IDENTIFIED BY A MARKING.	35	1	PCB	1
REWORKED PARTS ARE IDENTIFIED BY A MARKING.	36	1	PCB	1
REWORKED PARTS ARE IDENTIFIED BY A MARKING.	37	1	PCB	1
REWORKED PARTS ARE IDENTIFIED BY A MARKING.	38	1	PCB	1
REWORKED PARTS ARE IDENTIFIED BY A MARKING.	39	1	PCB	1
REWORKED PARTS ARE IDENTIFIED BY A MARKING.	40	1	PCB	1
REWORKED PARTS ARE IDENTIFIED BY A MARKING.	41	1	PCB	1
REWORKED PARTS ARE IDENTIFIED BY A MARKING.	42	1	PCB	1
REWORKED PARTS ARE IDENTIFIED BY A MARKING.	43	1	PCB	1
REWORKED PARTS ARE IDENTIFIED BY A MARKING.	44	1	PCB	1
REWORKED PARTS ARE IDENTIFIED BY A MARKING.	45	1	PCB	1
REWORKED PARTS ARE IDENTIFIED BY A MARKING.	46	1	PCB	1
REWORKED PARTS ARE IDENTIFIED BY A MARKING.	47	1	PCB	1
REWORKED PARTS ARE IDENTIFIED BY A MARKING.	48	1	PCB	1
REWORKED PARTS ARE IDENTIFIED BY A MARKING.	49	1	PCB	1
REWORKED PARTS ARE IDENTIFIED BY A MARKING.	50	1	PCB	1
REWORKED PARTS ARE IDENTIFIED BY A MARKING.	51	1	PCB	1
REWORKED PARTS ARE IDENTIFIED BY A MARKING.	52	1	PCB	1
REWORKED PARTS ARE IDENTIFIED BY A MARKING.	53	1	PCB	1
REWORKED PARTS ARE IDENTIFIED BY A MARKING.	54	1	PCB	1
REWORKED PARTS ARE IDENTIFIED BY A MARKING.	55	1	PCB	1
REWORKED PARTS ARE IDENTIFIED BY A MARKING.	56	1	PCB	1
REWORKED PARTS ARE IDENTIFIED BY A MARKING.	57	1	PCB	1
REWORKED PARTS ARE IDENTIFIED BY A MARKING.	58	1	PCB	1
REWORKED PARTS ARE IDENTIFIED BY A MARKING.	59	1	PCB	1
REWORKED PARTS ARE IDENTIFIED BY A MARKING.	60	1	PCB	1
REWORKED PARTS ARE IDENTIFIED BY A MARKING.	61	1	PCB	1
REWORKED PARTS ARE IDENTIFIED BY A MARKING.	62	1	PCB	1
REWORKED PARTS ARE IDENTIFIED BY A MARKING.	63	1	PCB	1
REWORKED PARTS ARE IDENTIFIED BY A MARKING.	64	1	PCB	1
REWORKED PARTS ARE IDENTIFIED BY A MARKING.	65	1	PCB	1
REWORKED PARTS ARE IDENTIFIED BY A MARKING.	66	1	PCB	1
REWORKED PARTS ARE IDENTIFIED BY A MARKING.	67	1	PCB	1
REWORKED PARTS ARE IDENTIFIED BY A MARKING.	68	1	PCB	1
REWORKED PARTS ARE IDENTIFIED BY A MARKING.	69	1	PCB	1
REWORKED PARTS ARE IDENTIFIED BY A MARKING.	70	1	PCB	1
REWORKED PARTS ARE IDENTIFIED BY A MARKING.	71	1	PCB	1
REWORKED PARTS ARE IDENTIFIED BY A MARKING.	72	1	PCB	1
REWORKED PARTS ARE IDENTIFIED BY A MARKING.	73	1	PCB	1
REWORKED PARTS ARE IDENTIFIED BY A MARKING.	74	1	PCB	1
REWORKED PARTS ARE IDENTIFIED BY A MARKING.	75	1	PCB	1
REWORKED PARTS ARE IDENTIFIED BY A MARKING.	76	1	PCB	1
REWORKED PARTS ARE IDENTIFIED BY A MARKING.	77	1	PCB	1
REWORKED PARTS ARE IDENTIFIED BY A MARKING.	78	1	PCB	1
REWORKED PARTS ARE IDENTIFIED BY A MARKING.	79	1	PCB	1
REWORKED PARTS ARE IDENTIFIED BY A MARKING.	80	1	PCB	1
REWORKED PARTS ARE IDENTIFIED BY A MARKING.	81	1	PCB	1
REWORKED PARTS ARE IDENTIFIED BY A MARKING.	82	1	PCB	1
REWORKED PARTS ARE IDENTIFIED BY A MARKING.	83	1	PCB	1
REWORKED PARTS ARE IDENTIFIED BY A MARKING.	84	1	PCB	1
REWORKED PARTS ARE IDENTIFIED BY A MARKING.	85	1	PCB	1
REWORKED PARTS ARE IDENTIFIED BY A MARKING.	86	1	PCB	1
REWORKED PARTS ARE IDENTIFIED BY A MARKING.	87	1	PCB	1
REWORKED PARTS ARE IDENTIFIED BY A MARKING.	88	1	PCB	1
REWORKED PARTS ARE IDENTIFIED BY A MARKING.	89	1	PCB	1
REWORKED PARTS ARE IDENTIFIED BY A MARKING.	90	1	PCB	1
REWORKED PARTS ARE IDENTIFIED BY A MARKING.	91	1	PCB	1
REWORKED PARTS ARE IDENTIFIED BY A MARKING.	92	1	PCB	1
REWORKED PARTS ARE IDENTIFIED BY A MARKING.	93	1	PCB	1
REWORKED PARTS ARE IDENTIFIED BY A MARKING.	94	1	PCB	1
REWORKED PARTS ARE IDENTIFIED BY A MARKING.	95	1	PCB	1
REWORKED PARTS ARE IDENTIFIED BY A MARKING.	96	1	PCB	1
REWORKED PARTS ARE IDENTIFIED BY A MARKING.	97	1	PCB	1
REWORKED PARTS ARE IDENTIFIED BY A MARKING.	98	1	PCB	1
REWORKED PARTS ARE IDENTIFIED BY A MARKING.	99	1	PCB	1
REWORKED PARTS ARE IDENTIFIED BY A MARKING.	100	1	PCB	1

19

02



REV	DATE	DESCRIPTION	SIZE	QTY
1	7/24	SCM 7600 CUE SWITCH PCB COMPONENT LAYOUT	C	1
2				
3				
4				

DESIGNER	DATE	DESCRIPTION	SIZE	QTY
UNITS	NO	NO	NO	NO
ASSEMBLY	NO	NO	NO	NO
TESTING	NO	NO	NO	NO
INSPECTION	NO	NO	NO	NO
APPROVAL	NO	NO	NO	NO
DATE	NO	NO	NO	NO
SCALE	2/1	DO NOT SCALE DRAWING	SHEET	OF 1

## WARRANTY

---

### BIAMP IS PLEASED TO EXTEND THE FOLLOWING 1-YEAR LIMITED WARRANTY TO THE ORIGINAL PURCHASER OF THE PROFESSIONAL SOUND EQUIPMENT DESCRIBED IN THIS OWNER'S MANUAL.

BIAMP Systems expressly warrants this product to be free from defects in material and workmanship for a period of 1 YEAR from the date of purchase as a new product from an authorized BIAMP dealer under the following conditions.

1. The Purchaser is responsible for completing and mailing to BIAMP, within 10 days of purchase, the attached warranty application.
2. In the event the warranted BIAMP product requires service during the warranty period, BIAMP will repair or replace, at its option, defective materials, provided you have identified yourself as the original purchaser of the product to any authorized BIAMP Service Center. Transportation and insurance charges to and from an authorized Service Center or the BIAMP factory for warranted products or components thereof to obtain repairs shall be the responsibility of the Purchaser.
3. This warranty will be VOIDED if the serial number has been removed or defaced; or if the product has been subjected to accidental damage, abuse, rental usage, alterations, or attempted repair by any person not authorized by BIAMP to make repairs; or if the product has been installed contrary to BIAMP's instructions.
4. The normal wear and tear of appearance items such as paint, knobs, handles, and covers is not covered under this warranty.

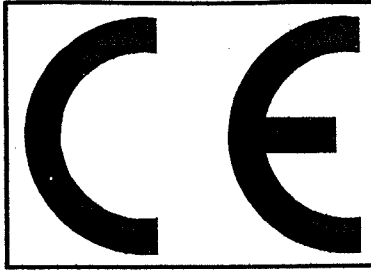
5. BIAMP SHALL NOT IN ANY EVENT BE LIABLE FOR SPECIAL, INCIDENTAL, OR CONSEQUENTIAL DAMAGES, INCLUDING LOST PROFITS, LOSS OF USE, PROPERTY DAMAGE, INJURY TO GOODWILL, OR OTHER ECONOMIC LOSS OF ANY SORT. EXCEPT AS EXPRESSLY PROVIDED HEREIN, BIAMP DISCLAIMS ALL OTHER LIABILITY TO PURCHASER OR ANY OTHER PERSONS ARISING OUT OF USE OR PERFORMANCE OF THE PRODUCT, INCLUDING LIABILITY FOR NEGLIGENCE OR STRICT LIABILITY IN TORT.

6. THIS WARRANTY IS IN LIEU OF ALL OTHER WARRANTIES EXPRESSED OR IMPLIED. BIAMP EXPRESSLY DISCLAIMS ALL IMPLIED WARRANTIES OF MERCHANTABILITY AND FITNESS FOR A PARTICULAR PURPOSE. THE REMEDIES SET FORTH HEREIN SHALL BE THE PURCHASER'S SOLE AND EXCLUSIVE REMEDIES WITH RESPECT TO ANY DEFECTIVE PRODUCT. THE AGENTS, EMPLOYEES, DISTRIBUTORS, AND DEALERS OF BIAMP ARE NOT AUTHORIZED TO MODIFY THIS WARRANTY OR TO MAKE ADDITIONAL WARRANTIES BINDING ON BIAMP. ACCORDINGLY, ADDITIONAL STATEMENTS SUCH AS DEALER ADVERTISEMENTS OR REPRESENTATIONS DO NOT CONSTITUTE WARRANTIES BY BIAMP.

7. No action for breach of this warranty may be commenced more than one year after the expiration of this warranty.

Thank you for purchasing BIAMP...  
AMERICAN SOUND CRAFTSMANSHIP

Biamp Systems  
14130 N.W. Science Park  
Portland, Oregon 97229  
(503) 641-7287



## Declaration of Conformity

BIAMP SYSTEMS  
14130 NW Science Park Drive  
Portland, OR USA 97229

as the manufacturer, hereby declares that the following described product, in our delivered version, complies with the provisions of the DIRECTIVES as noted herein. In case of alteration of the product, not agreed upon or directed by us, this declaration is no longer valid.

Product: Model: SCM7600  
Description: Audio Stereo Club Mixer

Applicable EC Directives: EMC Directive (89/336/EEC)

Applicable Harmonized Standards: EN55013 emissions EN55020 immunity

Applicable National Standards: not applicable

Special Considerations for Product Environment or Compliance: none

The Technical Report/File is maintained at:

Biamp Systems  
14130 N.W. Science Park Drive  
Portland, OR USA 97229  
phone: (503) 641-7287 fax: (503) 626-0281  
e-mail: biampsys@aol.com

Authorized Representative: Ralph Lockhart, President

Authorized Representative Signature:

A handwritten signature in black ink, appearing to read 'Ralph D. Lockhart', written over a horizontal line.

Issued: 1996