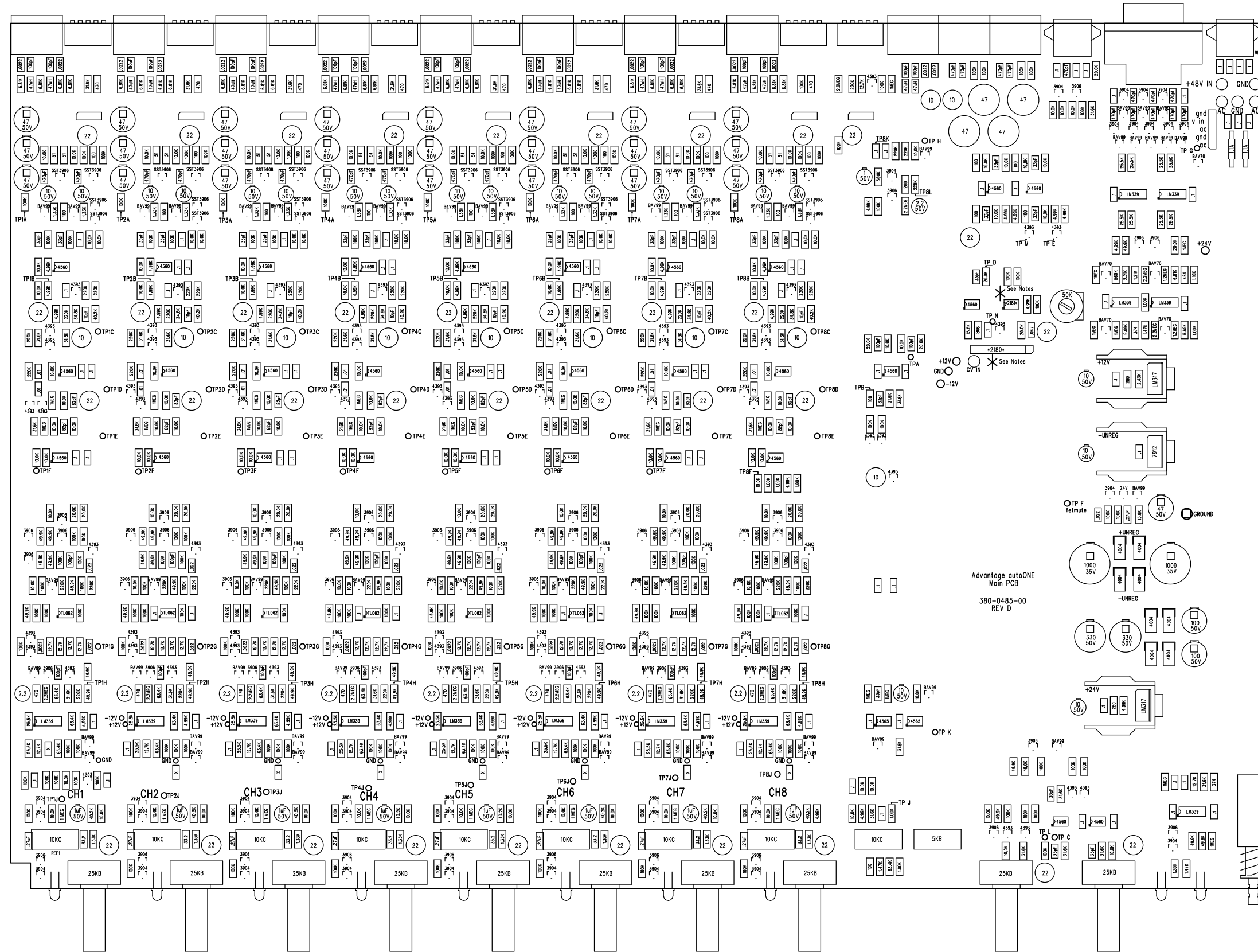


autoOne
Automatic Mixer

Schematic

Released June 25, 2002

REV	ECN	DESCRIPTION	DATE	BY
D1	029-00	Remove C145-C148, Correct EMC cap values	8/10/00	
D2	032-00	Changed F3 and F4 from 0.5A to 1.1A	9/21/00	
D2	037-00	Substitute Ux3 for U3	11/28/00	



Advantage autoONE
Main PCB
380-0485-00
REV D

Note: U3 will not be placed
Ux3 will be added in its place

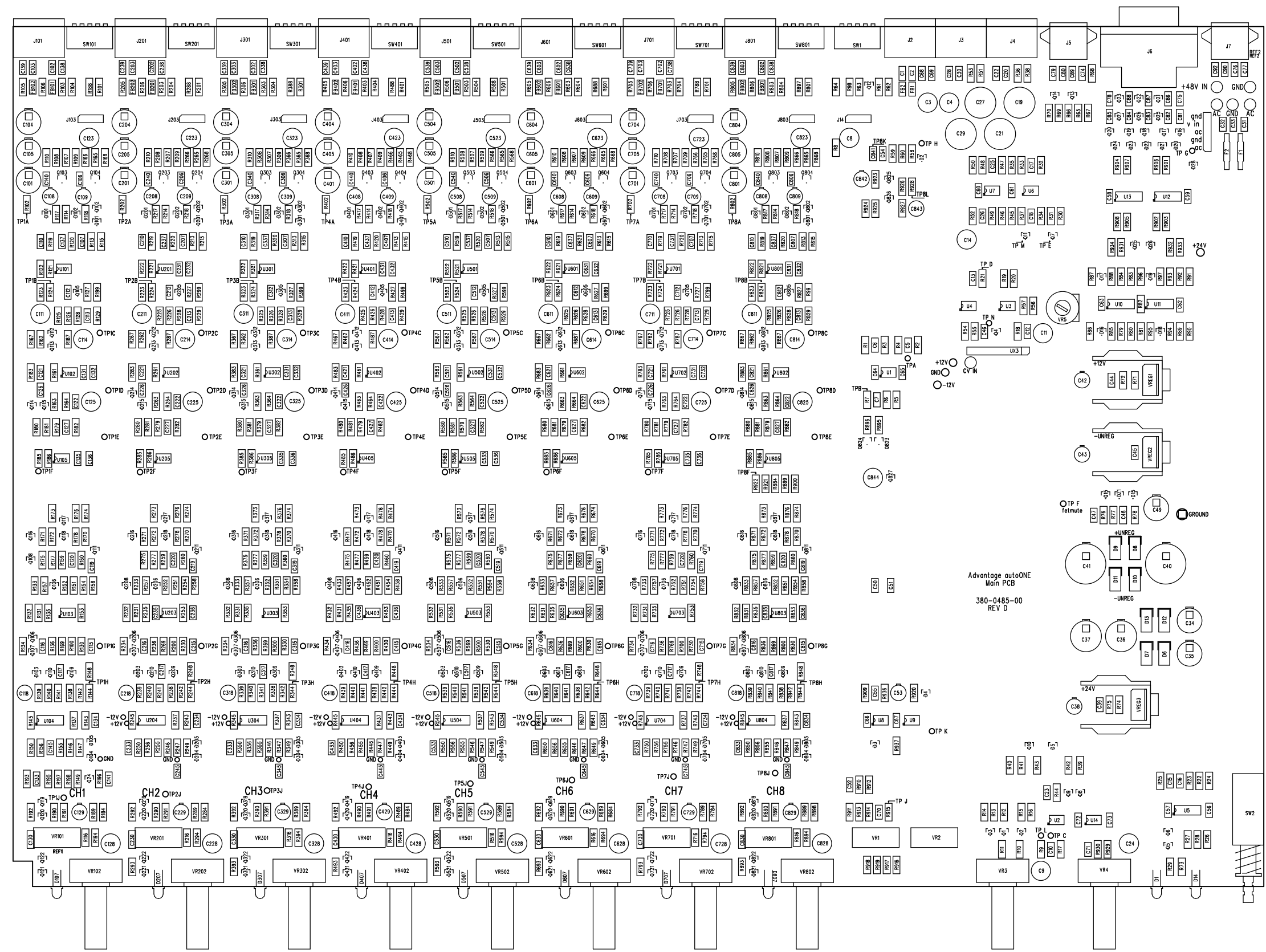
BIAMP SYSTEMS
10074 S.W. Arctic Drive
Beaverton, Oregon 97005
(503) 641-7287

380-0485-00 REV D
Advantage autoONE

Sheet 1 of 6 : Silkscreen
Sheet 2 of 6 : Component Side

DRAWN		BIAMP SYSTEMS, INC	
CHECKED		10074 SW Arctic Drive, Beaverton OR 97005	
DESIGN		Advantage autoONE	
APPROVED	DWG. NO. 701.0485.00	REV. D2	SHEET 2 OF 2

REV	ECN	DESCRIPTION	DATE	BY
D1	029-00	Remove C145-C148, Correct EMC cap values	8/10/00	
D2	032-00	Changed F3 and F4 from 0.5A to 1.1A	9/21/00	
D2	037-00	Substitute Ux3 for U3	11/28/00	



BIAMP SYSTEMS
 10074 S.W. Arctic Drive
 Beaverton, Oregon 97005
 (503) 641-7287

380-0485-00 REV D
Advantage autoONE

Sheet 1 of 6 : Silkscreen

DRAWN		BIAMP SYSTEMS, INC	
CHECKED		10074 SW Arctic Drive, Beaverton OR 97005	
DESIGN		Advantage autoONE	
APPROVED	DWG. NO. 701.0485.00	REV. D2	SHEET 2 OF 2

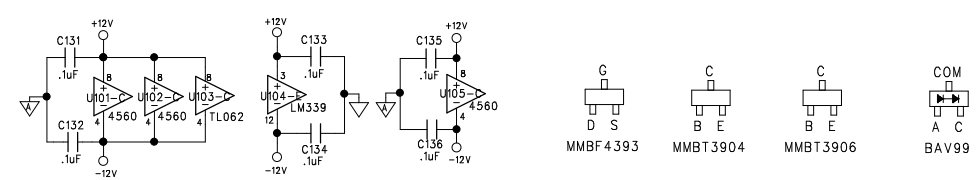
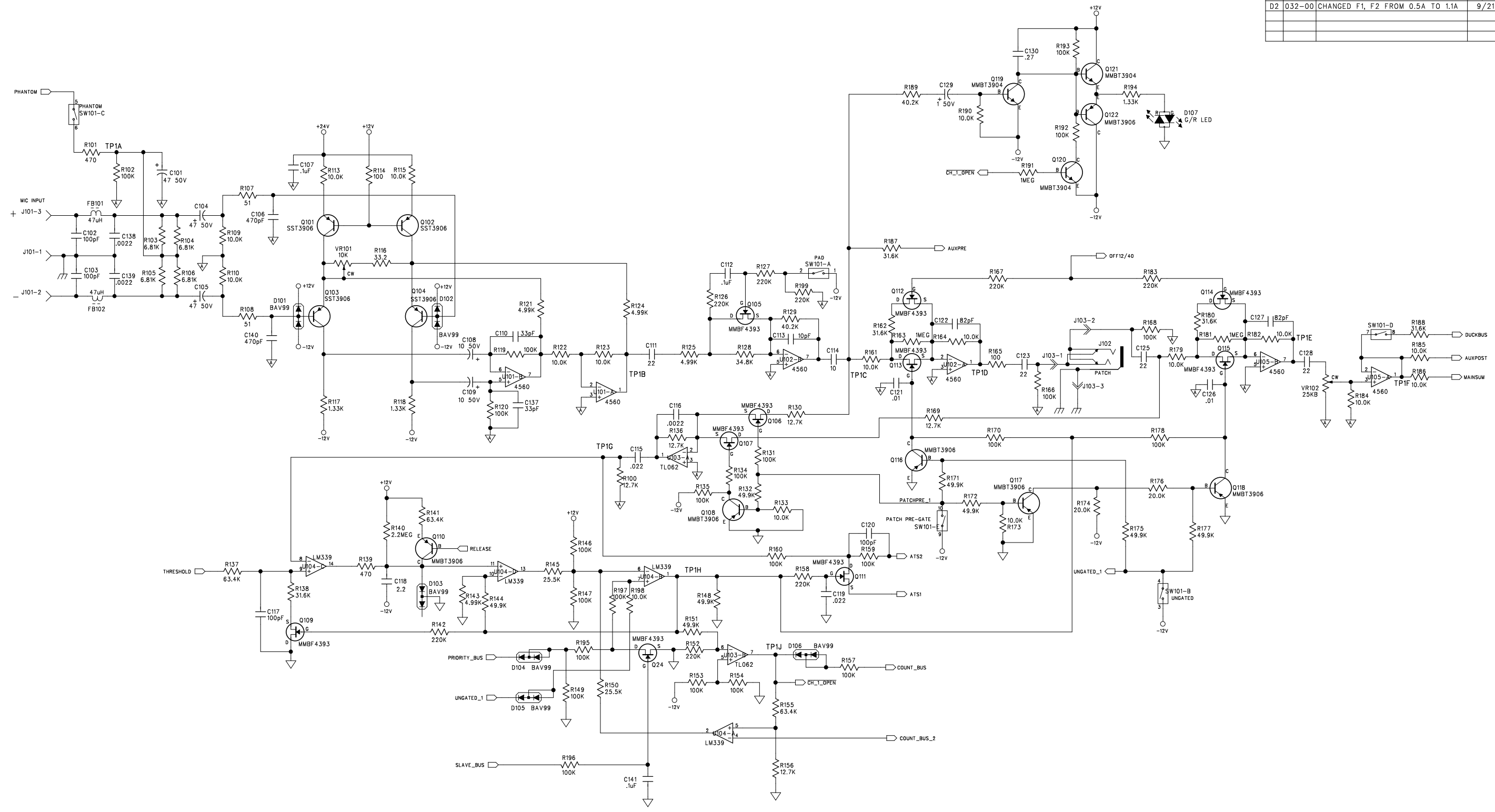
REVISION RECORD				
REV	ECO #	DESCRIPTION:	DATE:	BY:
A	036-98	ADDED Q25 AND Q26 CIRCUIT	5/6/98	
B	041-98	ADDED EMC CAPS; MISC. CHANGES	5/29/98	
C	062-98	CHANGED U8, U9 TO 4565	7/20/98	
D	087-98	ADDED R936, R937; CHG'D C50, C51	10/22/98	
D1	029-00	REMOVE C145-C145;CORRECTED EMC CAP VALUES	8/10/00	
D2	032-00	CHANGED F1, F2 FROM 0.5A TO 1.1A	9/21/00	

A

B

C

D



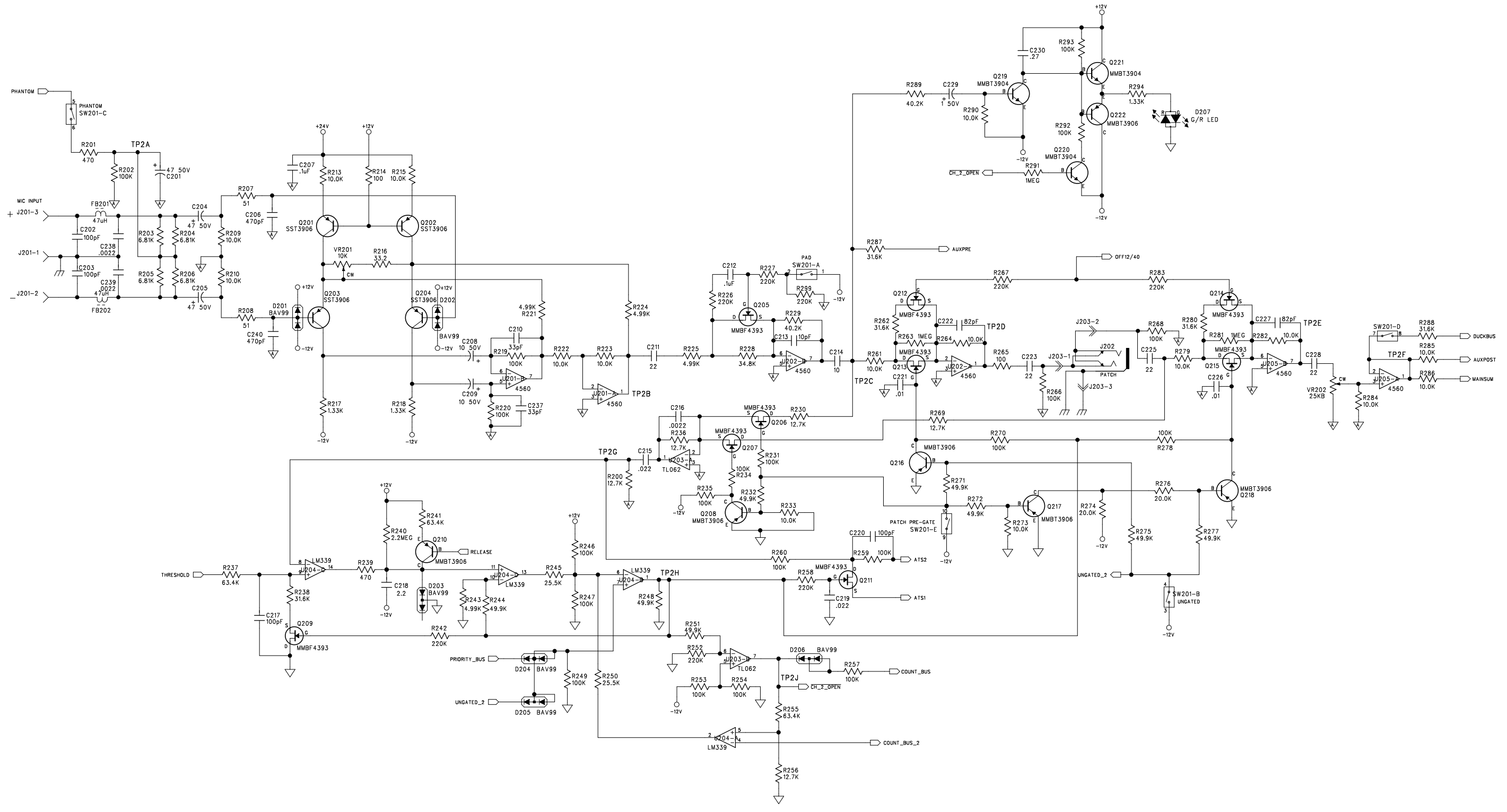
BIAMP SYSTEMS, INC. 10074 SW ARCTIC DRIVE BEAVERTON, OR 97005

TITLE: autoONE Channel 1

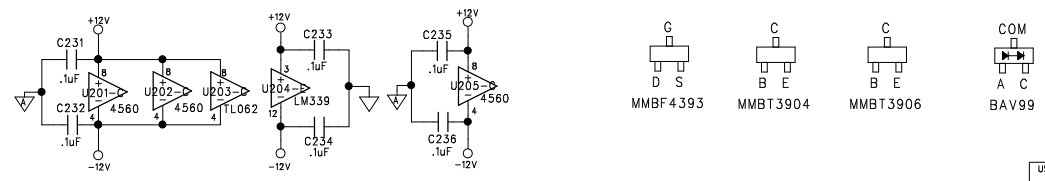
USED ON:	DATED:	COPY DATE STAMP:	SIZE: C	DRAWING NO: 700-0485-00	REV: D2
DRAWN:	DATED:	APPROVED:	DATED:	SCALE: NONE	SHEET: 1 OF 4

REVISION RECORD				
REV	ECO #	DESCRIPTION:	DATE:	BY:

A
B
C
D



NOTE: Channels 3-7 are identical to Channel 2 except for reference designators. All channel 2 parts start with 200, channel 3 parts start with 300, etc.

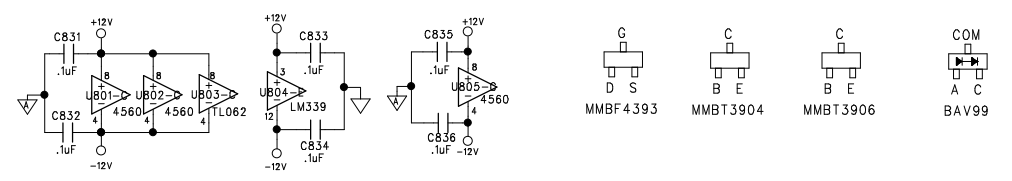
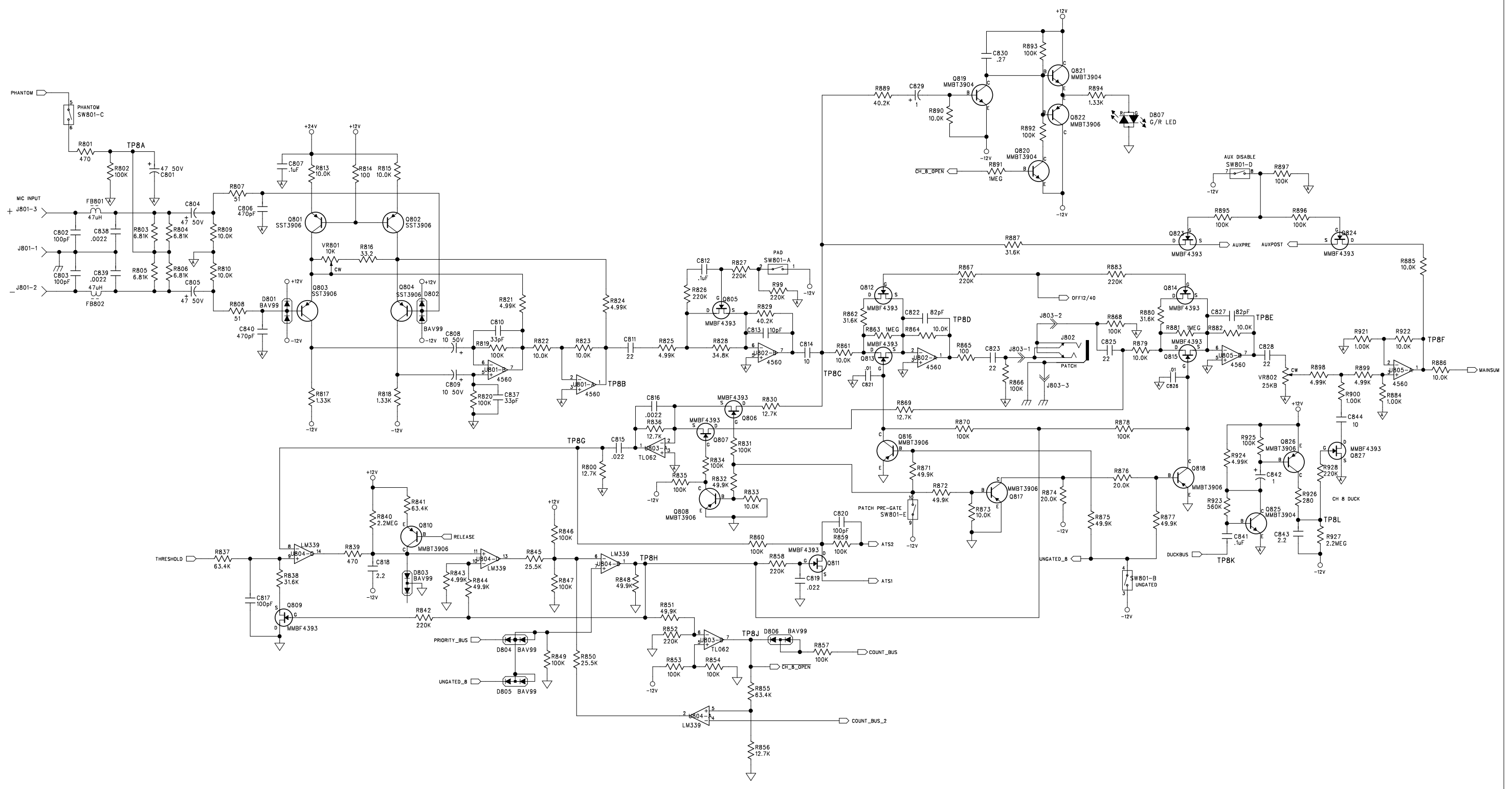


BIAMP SYSTEMS, INC.		10074 SW ARCTIC DRIVE BEAVERTON, OR 97005	
TITLE: autoONE Channels 2 - 7			
COPY DATE STAMP:	SIZE: C	DRAWING NO: 700-0485-00	REV: D2
APPROVED:	DATED:	SCALE: NONE	SHEET: 2 OF 4

USED ON:	DATED:
DRAWN:	DATED:
APPROVED:	DATED:

REVISION RECORD				
REV	ECO #	DESCRIPTION:	DATE:	BY:

A
B
C
D

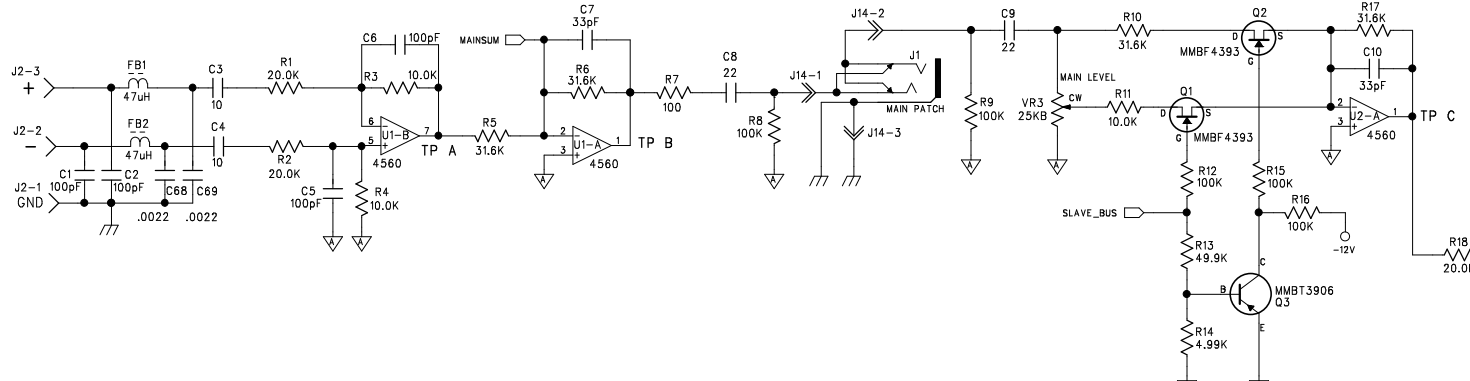


BIAMP SYSTEMS, INC.		10074 SW ARCTIC DRIVE BEAVERTON, OR 97005	
TITLE: autoONE Channel 8			
USED ON:	COPY DATE STAMP:	SIZE: C	DRAWING NO: 700-0485-00
DRAWN:	DATED:	SCALE: NONE	REV: D2
APPROVED:	DATED:	SHEET: 3 OF 4	

REVISION RECORD				
REV	ECO #	DESCRIPTION:	DATE:	BY:

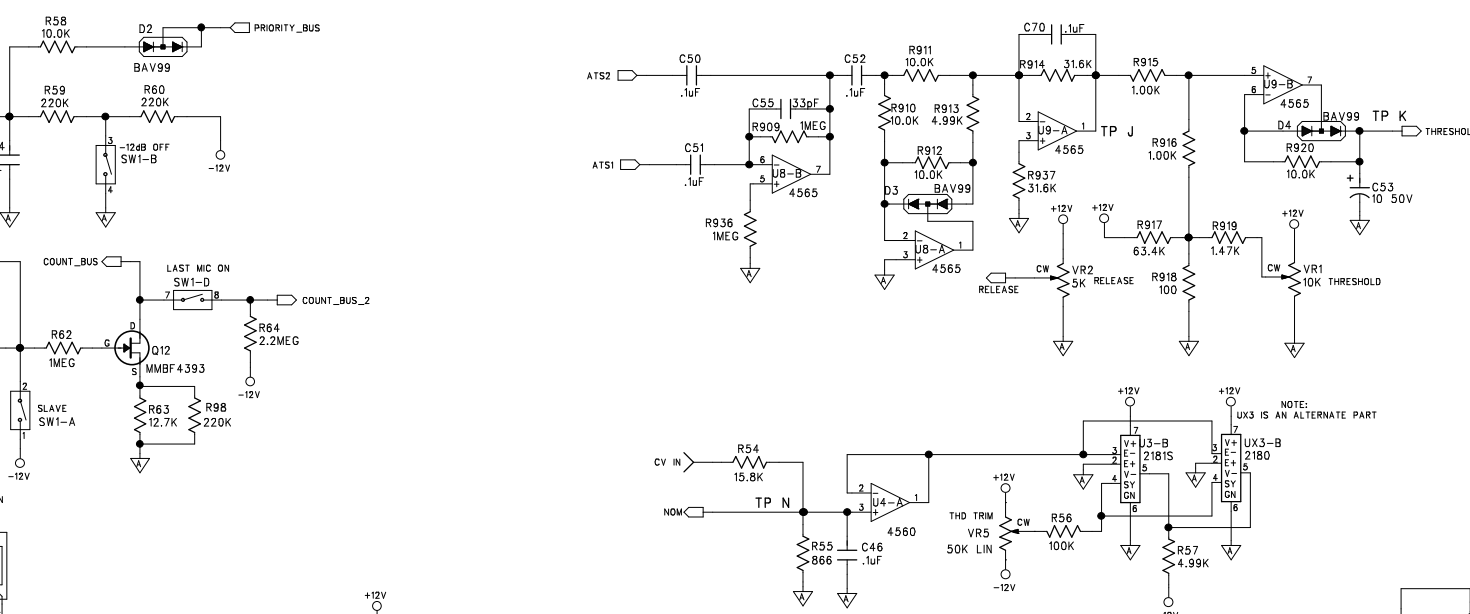
A

STACK INPUT



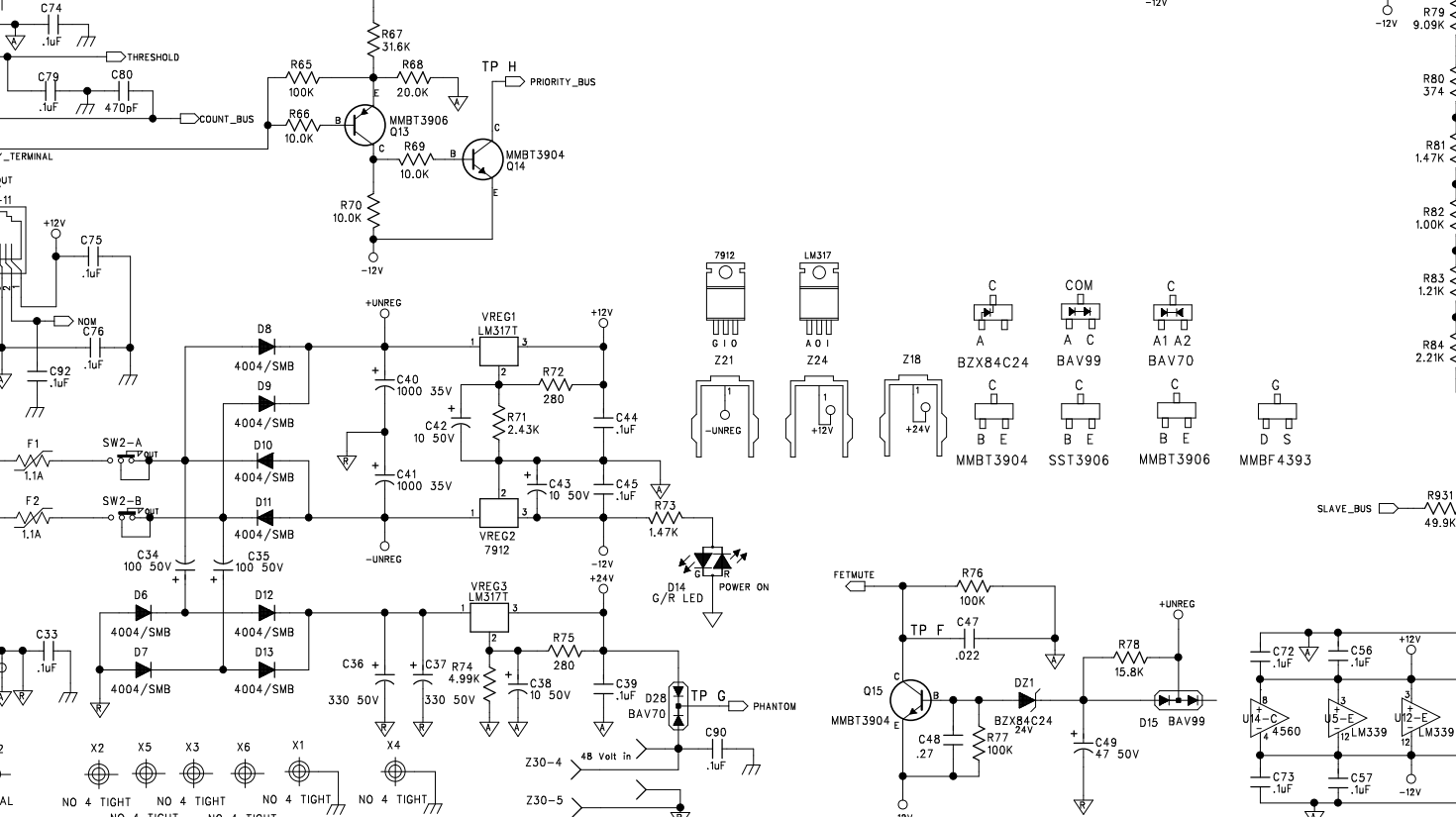
B

SLAVE BUS



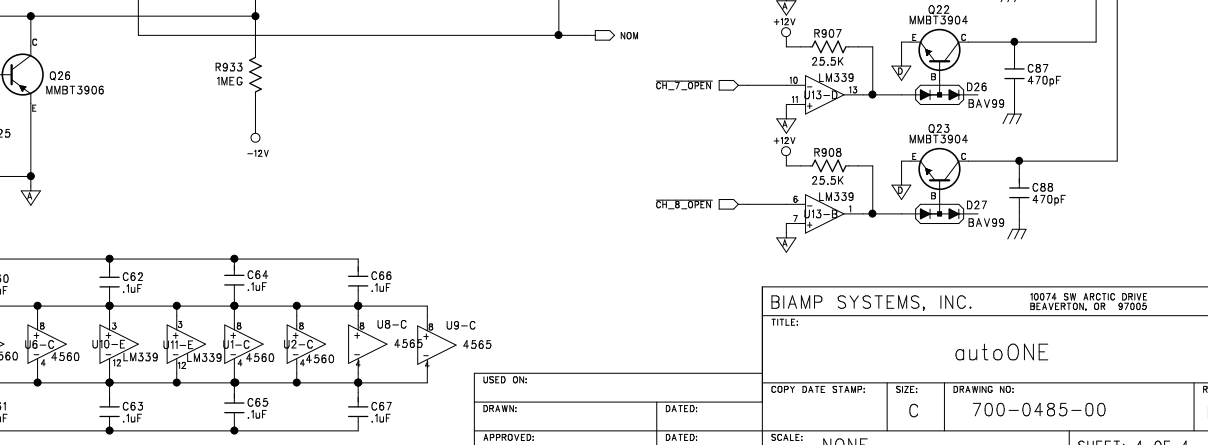
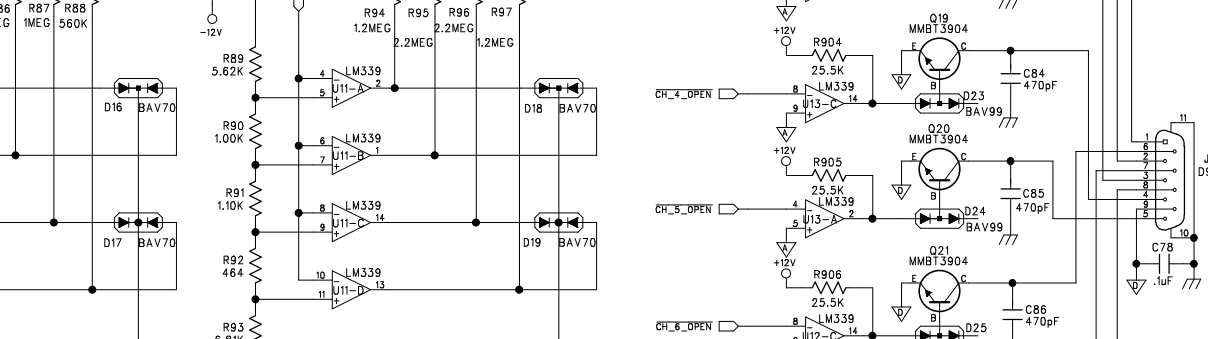
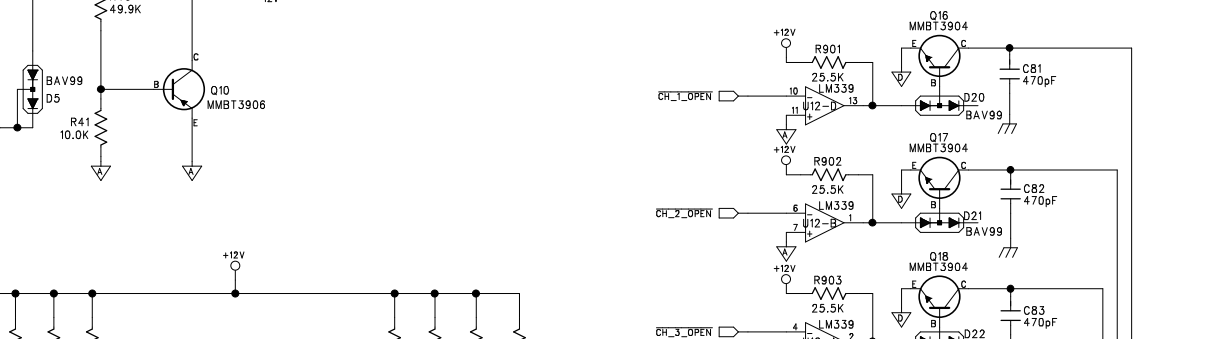
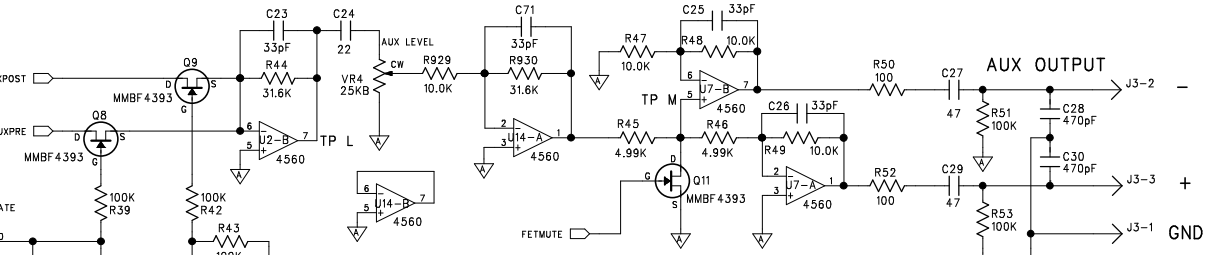
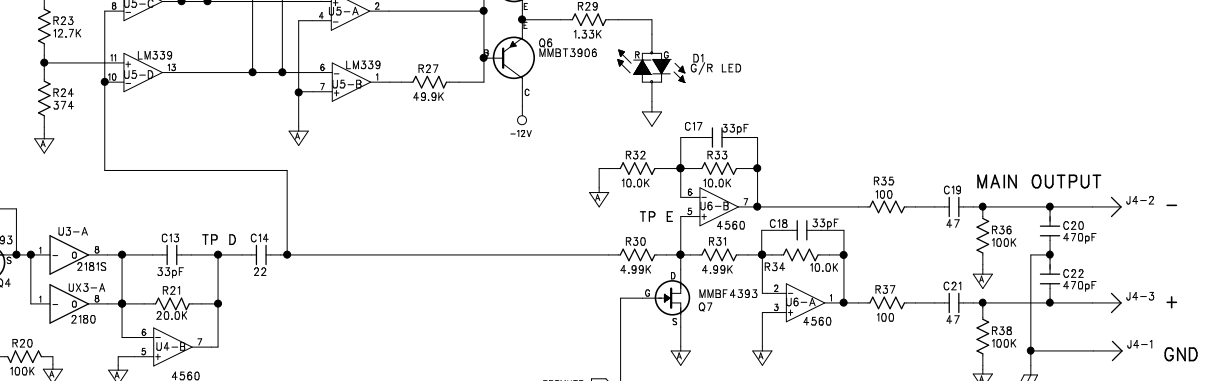
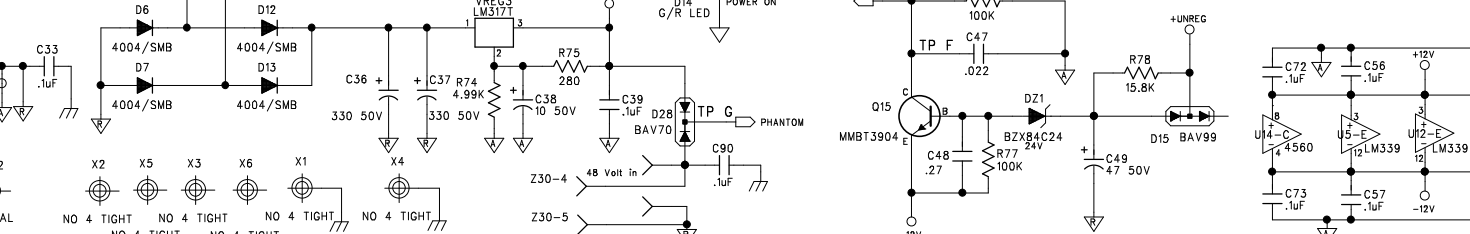
C

PRIORITY TERMINAL



D

POWER ON



BIAMP SYSTEMS, INC. 10074 SW ARCTIC DRIVE BEAVERTON, OR 97005

TITLE: autoONE

USED ON:	DATE:	SIZE: C	DRAWING NO: 700-0485-00	REV: D2
DRAWN:	DATED:	SCALE: NONE	SHEET: 4 OF 4	