

Cascade Series

# Schematic

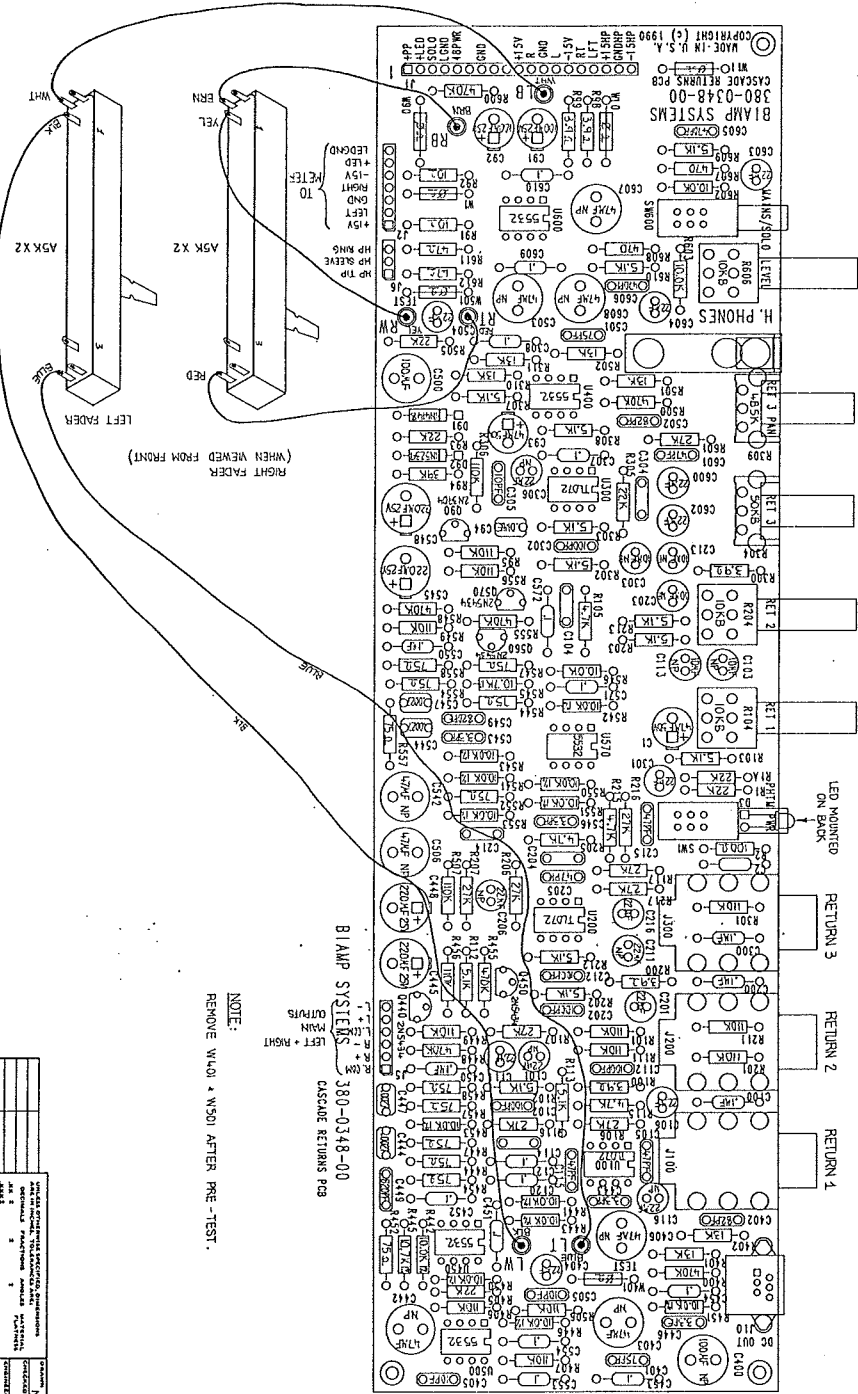
**B I A M P**<sup>®</sup>

---

S Y S T E M S

3800348.job - Sun Aug 12 20:32:15 1990

A R C D F H



H. PHONES

H. PHONES/SHO. LEVEL

RETURN 1

RETURN 2

RETURN 3

LED MOUNTED ON BACK

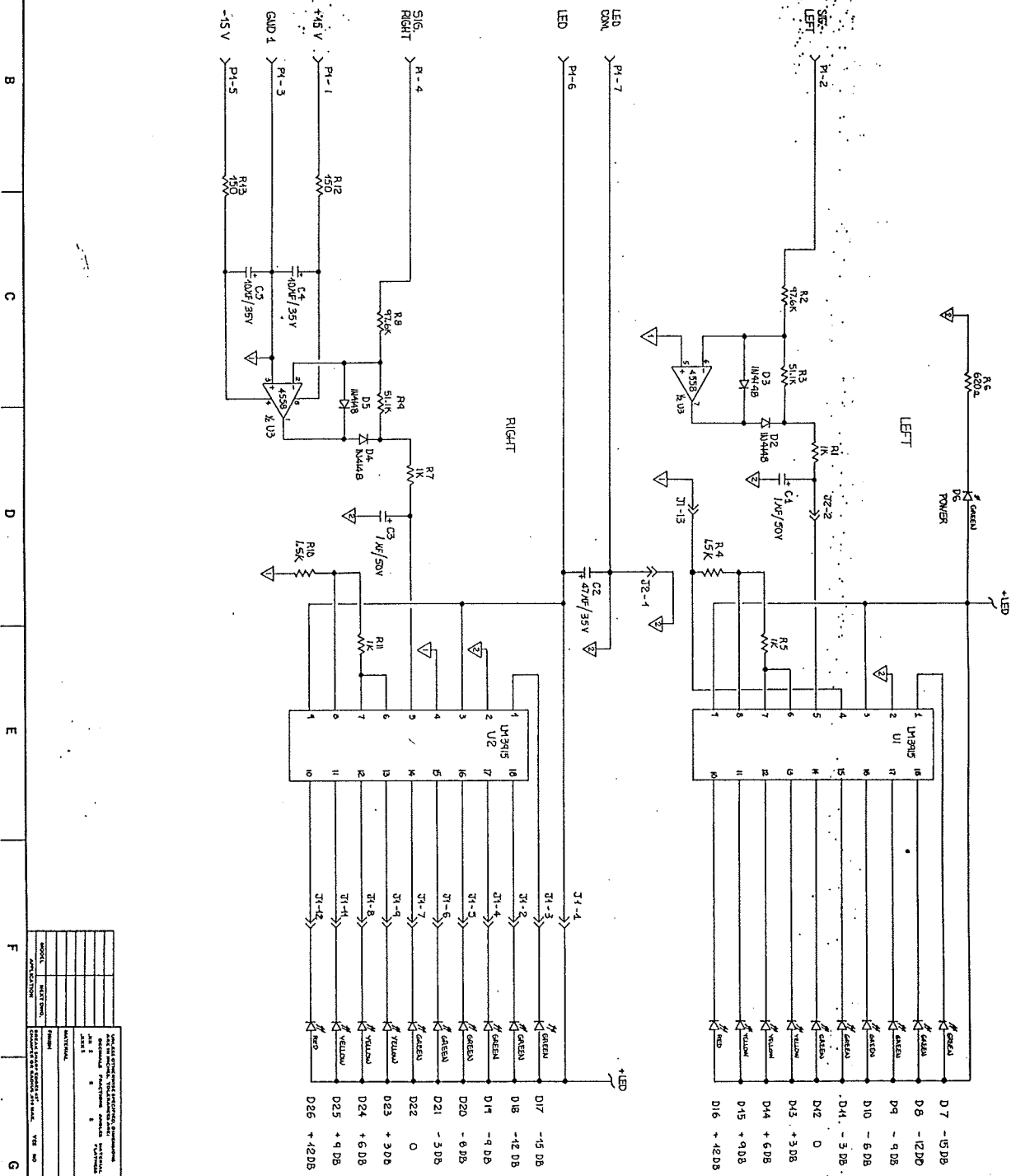
DC OUT

NOTE:  
REMOVE WJ01 & WJ01 AFTER PRE-TEST.

BIAMP SYSTEMS  
380-0348-00  
LEFT & RIGHT  
CASCAD. RETURNS PCB

MODEL	380-0348-00	REV	NO	DATE	BY
DESCRIPTION	BIAMP SYSTEMS, INC. BIAAMP SYSTEMS, INC. 12 & 16 RETURNS PCB COMPONENT LAYOUT				
DESIGNED BY	BIAAMP SYSTEMS, INC. 12 & 16 RETURNS PCB COMPONENT LAYOUT				
CHECKED BY	BIAAMP SYSTEMS, INC. 12 & 16 RETURNS PCB COMPONENT LAYOUT				
DATE	2/7/1	BY	1	DATE	1/1

THIS DRAWING IS THE PROPERTY OF BIAMP SYSTEMS, INC. IT IS TO BE USED ONLY FOR THE PROJECT AND QUANTITY SPECIFIED ON THE DRAWING. IT IS NOT TO BE REPRODUCED, COPIED, OR TRANSMITTED IN ANY FORM OR BY ANY MEANS, ELECTRONIC OR MECHANICAL, INCLUDING PHOTOCOPYING, RECORDING, OR BY ANY INFORMATION STORAGE AND RETRIEVAL SYSTEM. WITHOUT THE WRITTEN PERMISSION OF BIAMP SYSTEMS, INC.



A B C D E F G H

REV.	DATE	DESCRIPTION	BY
B	05-87	REVISED TO 2X WIRE BONDING	3-13-SF N
C	02-78	300-0266 REV. D PCB	1-38-SH NI
D	03-81	CHANGED RES. FROM 330Ω TO 620Ω	1-28-SH NI
E	04-81	CHANGED RES. FROM 330Ω TO 620Ω	3-28-SH NI

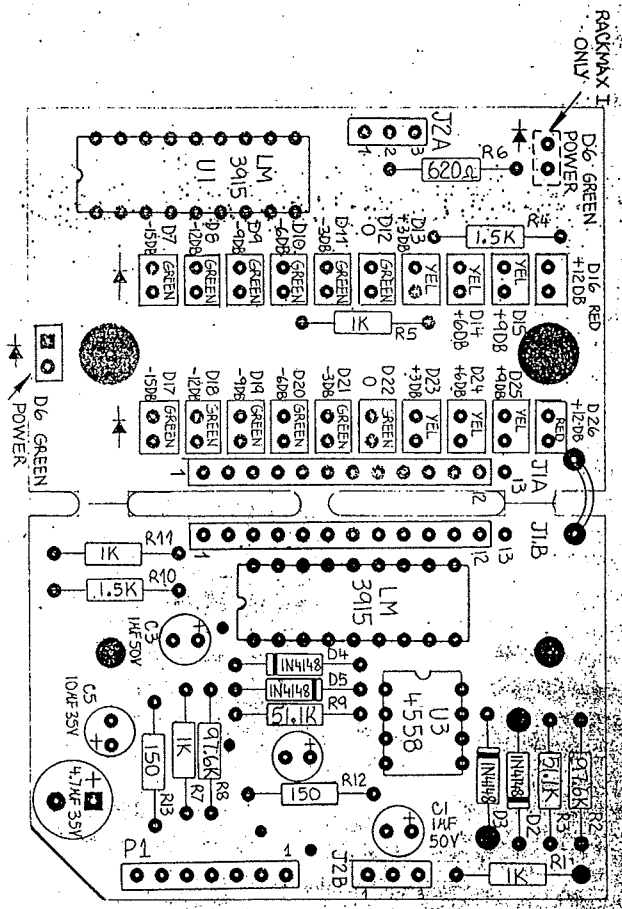
DATE	BY	DESCRIPTION
05-87	3-13-SF	REVISED TO 2X WIRE BONDING
02-78	1-38-SH	300-0266 REV. D PCB
03-81	1-28-SH	CHANGED RES. FROM 330Ω TO 620Ω
04-81	3-28-SH	CHANGED RES. FROM 330Ω TO 620Ω

DATE	BY	DESCRIPTION
05-87	3-13-SF	REVISED TO 2X WIRE BONDING
02-78	1-38-SH	300-0266 REV. D PCB
03-81	1-28-SH	CHANGED RES. FROM 330Ω TO 620Ω
04-81	3-28-SH	CHANGED RES. FROM 330Ω TO 620Ω

BIAMP SYSTEMS, INC.  
 RACKMAX  
 BARGRAPH BOARD  
 700-0266-00

THIS DRAWING IS THE PROPERTY OF BIAMP SYSTEMS, INC. IT IS TO BE USED ONLY FOR THE PROJECT AND QUANTITY SPECIFIED IN THE ORDER. IT IS NOT TO BE REPRODUCED OR TRANSMITTED IN ANY FORM OR BY ANY MEANS, ELECTRONIC OR MECHANICAL, INCLUDING PHOTOCOPYING, RECORDING, OR BY ANY INFORMATION STORAGE AND RETRIEVAL SYSTEM. THE USER ASSUMES ALL LIABILITY FOR THE USE OF THIS DRAWING. THE USER SHALL BE RESPONSIBLE FOR OBTAINING ALL NECESSARY PERMITS AND APPROVALS FROM THE LOCAL, STATE, AND FEDERAL AUTHORITIES.



- 1 + 15 V
- 2 SIG. LEFT
- 3 GND
- 4 SIG. RIGHT
- 5 - 15 V
- 6 + LED
- 7 LED COMMON

BIAMP BARGRAPH BOARD  
 RACKMAX  
**380-0186-00 REV D**

ITEM	PART NO.	DESCRIPTION	SIZE	QTY.
1	ND	BIAMP BARGRAPH BOARD		
<b>BIAMP SYSTEMS</b> COMPONENT LAYOUT RACKMAX BARGRAPH BOARD				
APPROVED	DESIGN	SIZE	DWG. NO.	REV.
		B	701-0186-00	6
FINISH	SCALE	2X	DO NOT SCALE DRAWING	SHEET 1 OF 1
FINISH: BREAK SQUARE EDGES 45° CHAMFER OR RADIUS .010 MAX.	YES	NO		
UNLESS OTHERWISE SPECIFIED DIMENSIONS ARE IN INCHES TOLERANCES ARE DECIMALS FRACTIONS ANGLES MATERIALS XXXX	CHECKED	ENGINEER		
MODEL	NEXT DWG.	APPLICATION		

REV.	DATE	BY	CHANGE
001	07-89	ND	380-0186-00 REV D FILM
002	07-89	ND	MOVE POWER LED
003	03-91	ND	CHG D. R6 FROM 330Ω TO 620Ω
004	07-91	ND	CHG D. R2, R3, R8, R9 FOR +4dBu REE

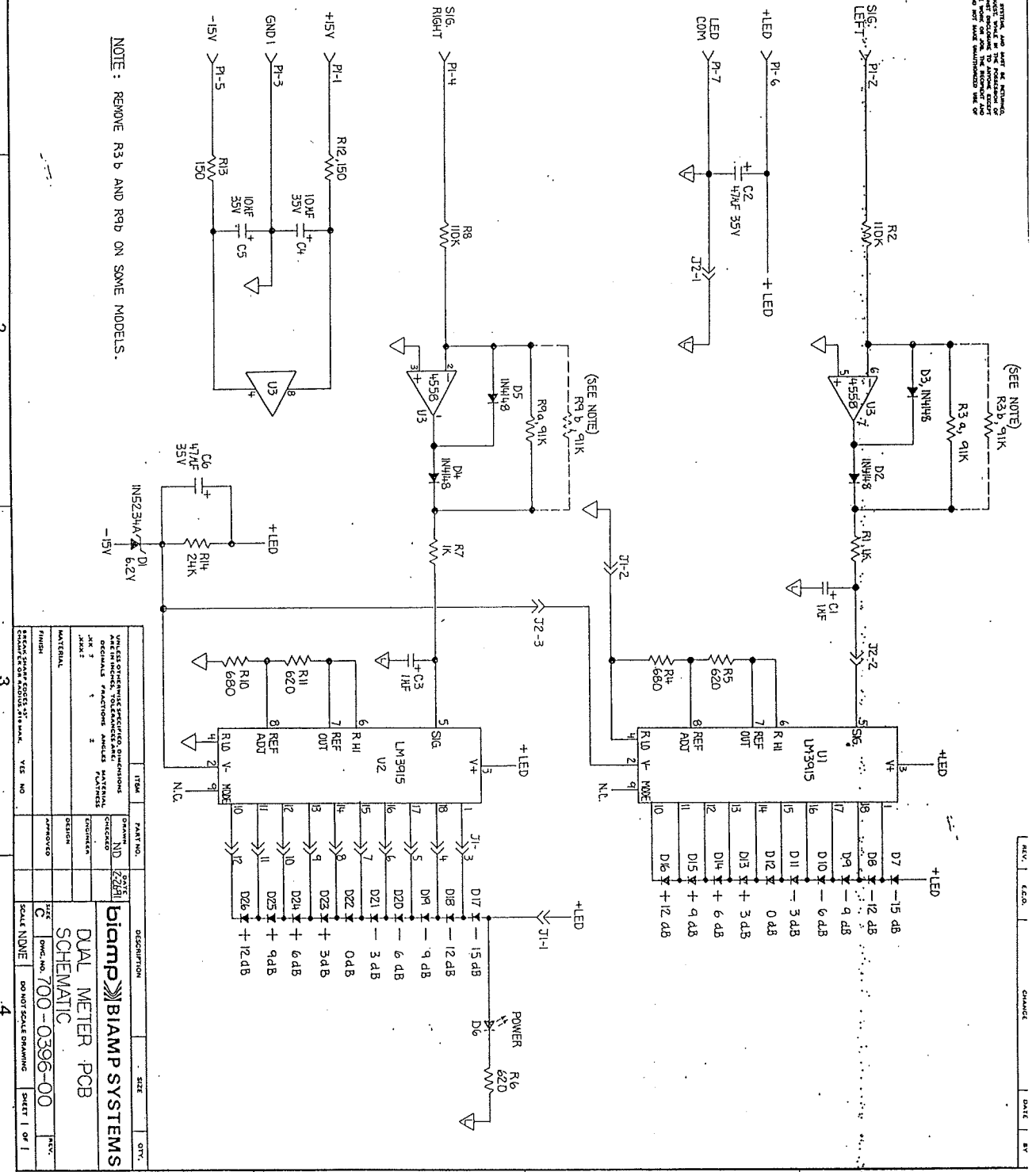
A

B

C

D

THIS DRAWING IS THE PROPERTY OF BIAMP SYSTEMS, INC. AND IS NOT TO BE REPRODUCED OR TRANSMITTED IN ANY FORM OR BY ANY MEANS, ELECTRONIC OR MECHANICAL, INCLUDING PHOTOCOPYING, RECORDING, OR BY ANY INFORMATION STORAGE AND RETRIEVAL SYSTEM, WITHOUT THE WRITTEN PERMISSION OF BIAMP SYSTEMS, INC.



NOTE: REMOVE R3 b AND R4D ON SOME MODELS.

ITEM	PART NO.	DESCRIPTION	QTY.
1	20251	BIAMP SYSTEMS	1
2	20251	BIAMP SYSTEMS	1
3	20251	BIAMP SYSTEMS	1
4	20251	BIAMP SYSTEMS	1

DATE	BY	DESCRIPTION
10/1/80	WJS	INITIALS, DIMENSIONS, TOLERANCES AND PARTS LIST
10/1/80	WJS	ORIGINALS, TOLERANCES AND PARTS LIST
10/1/80	WJS	DESIGN
10/1/80	WJS	APPROVED

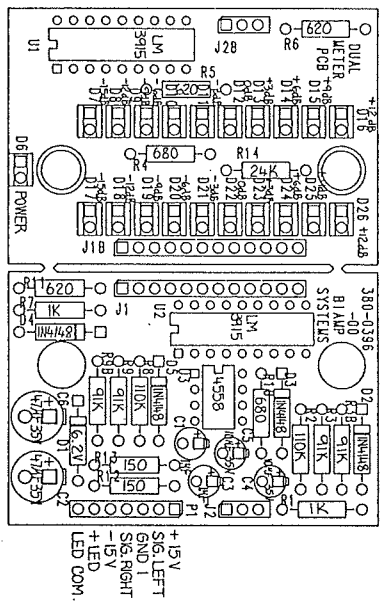
  

REV.	ECO.	CHANGE	DATE	BY
1				

THIS DRAWING IS THE PROPERTY OF BIAMP SYSTEMS, INC. AND IS NOT TO BE REPRODUCED OR TRANSMITTED IN ANY FORM OR BY ANY MEANS, ELECTRONIC OR MECHANICAL, INCLUDING PHOTOCOPYING, RECORDING, OR BY ANY INFORMATION STORAGE AND RETRIEVAL SYSTEM, WITHOUT THE WRITTEN PERMISSION OF BIAMP SYSTEMS, INC.

BIAMP SYSTEMS  
 14270 N.W. Science Park Drive  
 Portland, Oregon 97229  
 (503) 641-7287

380-0396-00  
 DUAL METER PCB  
 Sheet 1 of 5 : Silkscreen

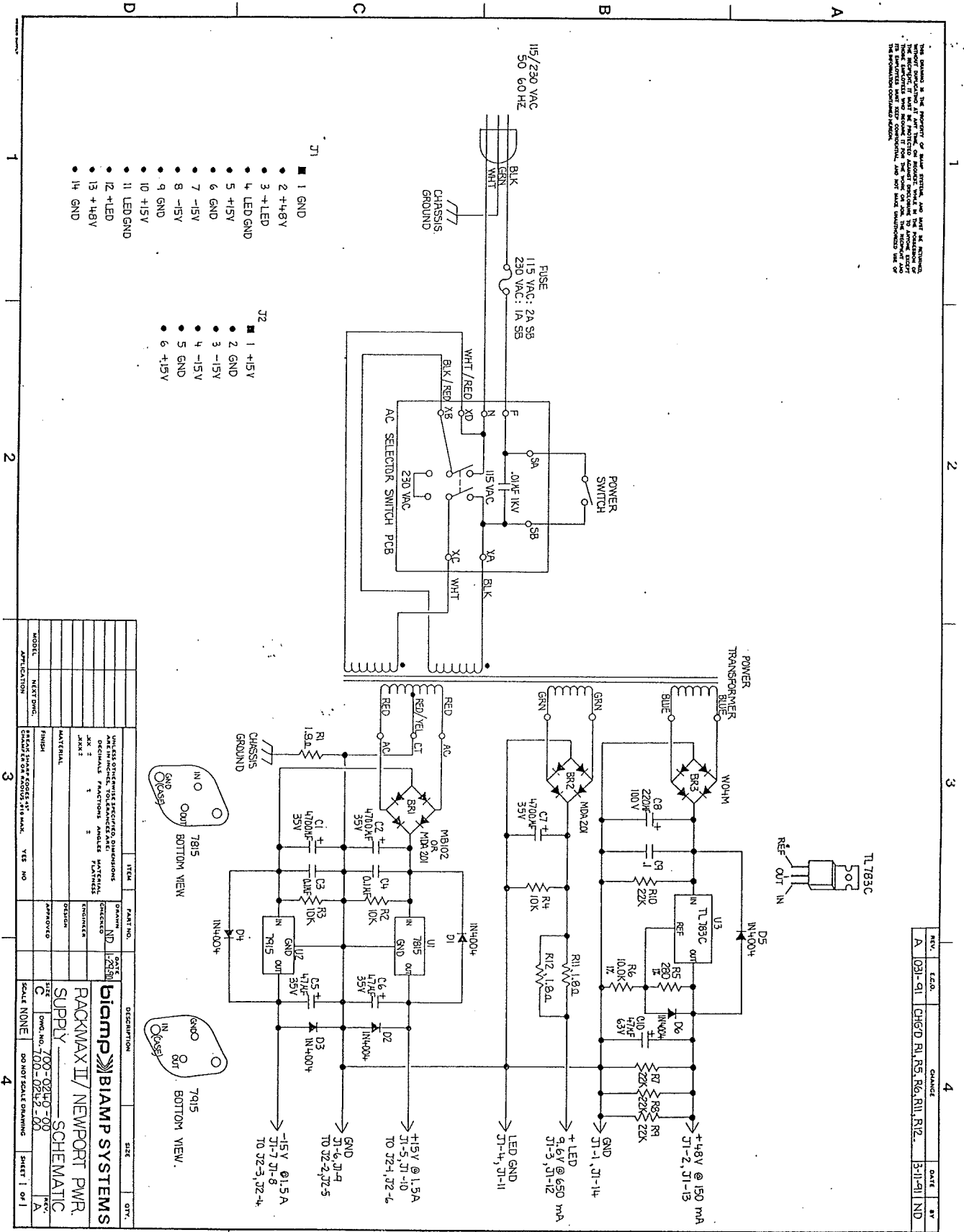


NOTE: REMOVE R35 AND R40 ON SOME MODELS.

ITEM	PART NO.	DESCRIPTION	SIZE	QTY.
1	ND	BIAMP SYSTEMS		
2	ND	DUAL METER PCB		
3	ND	COMPONENT LAYOUT		
4	ND	701-0396-00		

1 2 3 4

This drawing is the property of Biam Systems, Inc. and is not to be reproduced or transmitted in any form or by any means, electronic, mechanical, photocopying, recording, or by any information storage and retrieval system, without the prior written permission of Biam Systems, Inc. The information contained herein is confidential and proprietary.



- J1
- 1 GND
  - 2 +48V
  - 3 +LED
  - 4 LED GND
  - 5 +15V
  - 6 GND
  - 7 -15V
  - 8 -15V
  - 9 GND
  - 10 +15V
  - 11 LED GND
  - 12 +LED
  - 13 +48V
  - 14 GND
- J2
- 1 +15V
  - 2 GND
  - 3 -15V
  - 4 -15V
  - 5 GND
  - 6 +15V

REV.	EQ.	CHG'D BY	REV.	DATE	BY
A	031-01	CHG'D R1, R5, R6, R11, R12		3-11-91	ND

REV.	EQ.	CHG'D BY	REV.	DATE	BY
A	031-01	CHG'D R1, R5, R6, R11, R12		3-11-91	ND

REV.	EQ.	CHG'D BY	REV.	DATE	BY
A	031-01	CHG'D R1, R5, R6, R11, R12		3-11-91	ND

REV.	EQ.	CHG'D BY	REV.	DATE	BY
A	031-01	CHG'D R1, R5, R6, R11, R12		3-11-91	ND

REV.	EQ.	CHG'D BY	REV.	DATE	BY
A	031-01	CHG'D R1, R5, R6, R11, R12		3-11-91	ND

REV.	EQ.	CHG'D BY	REV.	DATE	BY
A	031-01	CHG'D R1, R5, R6, R11, R12		3-11-91	ND

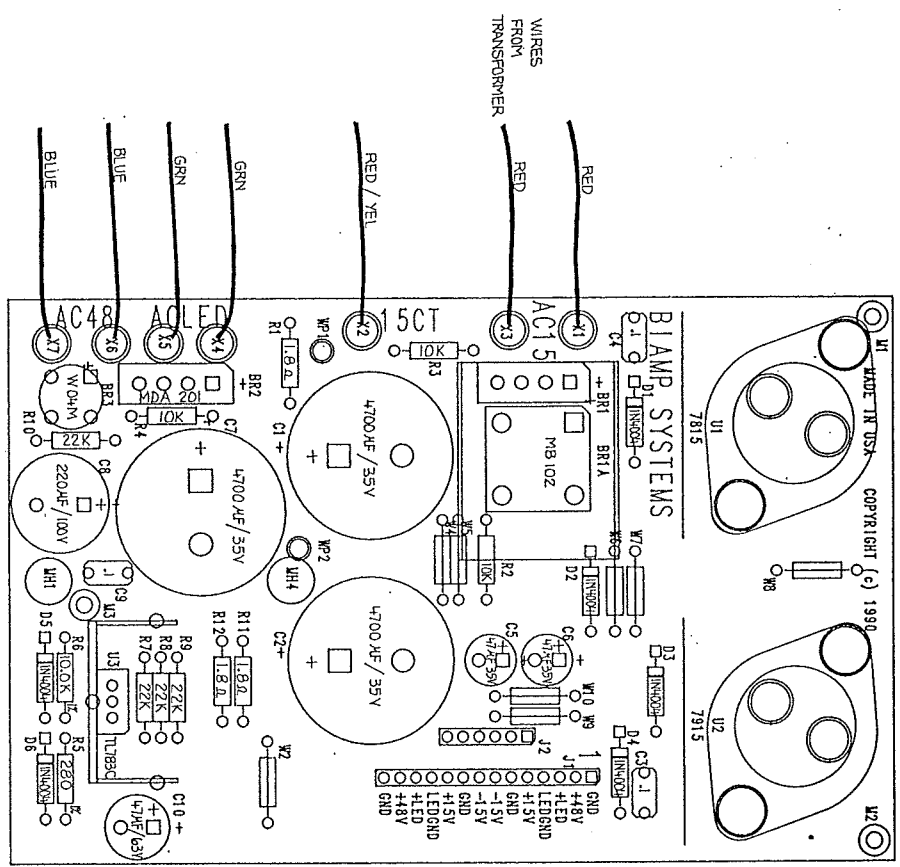
  

REV.	EQ.	CHG'D BY	REV.	DATE	BY
A	031-01	CHG'D R1, R5, R6, R11, R12		3-11-91	ND

REV.	EQ.	CHG'D BY	REV.	DATE	BY
A	031-01	CHG'D R1, R5, R6, R11, R12		3-11-91	ND

REV.	EQ.	CHG'D BY	REV.	DATE	BY
A	031-01	CHG'D R1, R5, R6, R11, R12		3-11-91	ND

THIS DRAWING IS THE PROPERTY OF BIAMP SYSTEMS, INC. AND IS NOT TO BE REPRODUCED, COPIED, OR TRANSMITTED IN ANY FORM OR BY ANY MEANS, WITHOUT THE WRITTEN PERMISSION OF BIAMP SYSTEMS, INC. THE DESIGN OF THIS DRAWING IS THE PROPERTY OF BIAMP SYSTEMS, INC. AND IS NOT TO BE REPRODUCED, COPIED, OR TRANSMITTED IN ANY FORM OR BY ANY MEANS, WITHOUT THE WRITTEN PERMISSION OF BIAMP SYSTEMS, INC.



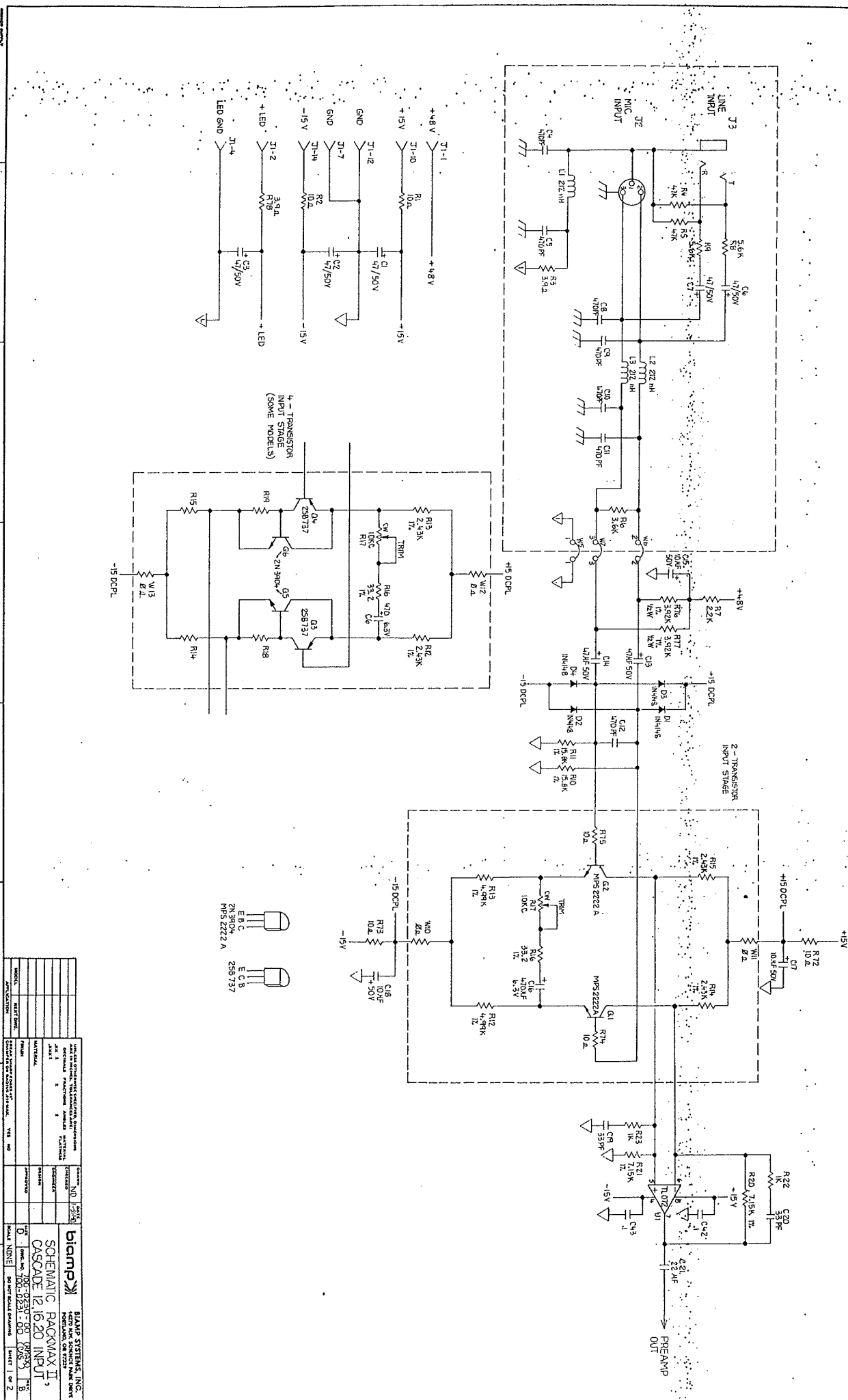
BIAMP SYSTEMS  
RACKMAX II POWER SUPPLY

NOTES: COMPONENTS SHOWN ARE  $\varnothing$  2. RESISTOR.

MODEL	380	DATE	02/20/00
APPROVAL		DESIGNER	
REVISION		CHECKED	
DATE		DATE	
BY		BY	
SCALE	2X	SCALE	2X
<p>BIAMP SYSTEMS RACKMAX II/NEWPORT PWR. SUPPLY—COMPONENT LAYOUT</p>			



THIS SCHEMATIC IS THE PROPERTY OF BIAMP SYSTEMS, INC. AND IS UNCLASSIFIED. IT IS THE PROPERTY OF BIAMP SYSTEMS, INC. AND IS UNCLASSIFIED. IT IS THE PROPERTY OF BIAMP SYSTEMS, INC. AND IS UNCLASSIFIED. IT IS THE PROPERTY OF BIAMP SYSTEMS, INC. AND IS UNCLASSIFIED. IT IS THE PROPERTY OF BIAMP SYSTEMS, INC. AND IS UNCLASSIFIED.



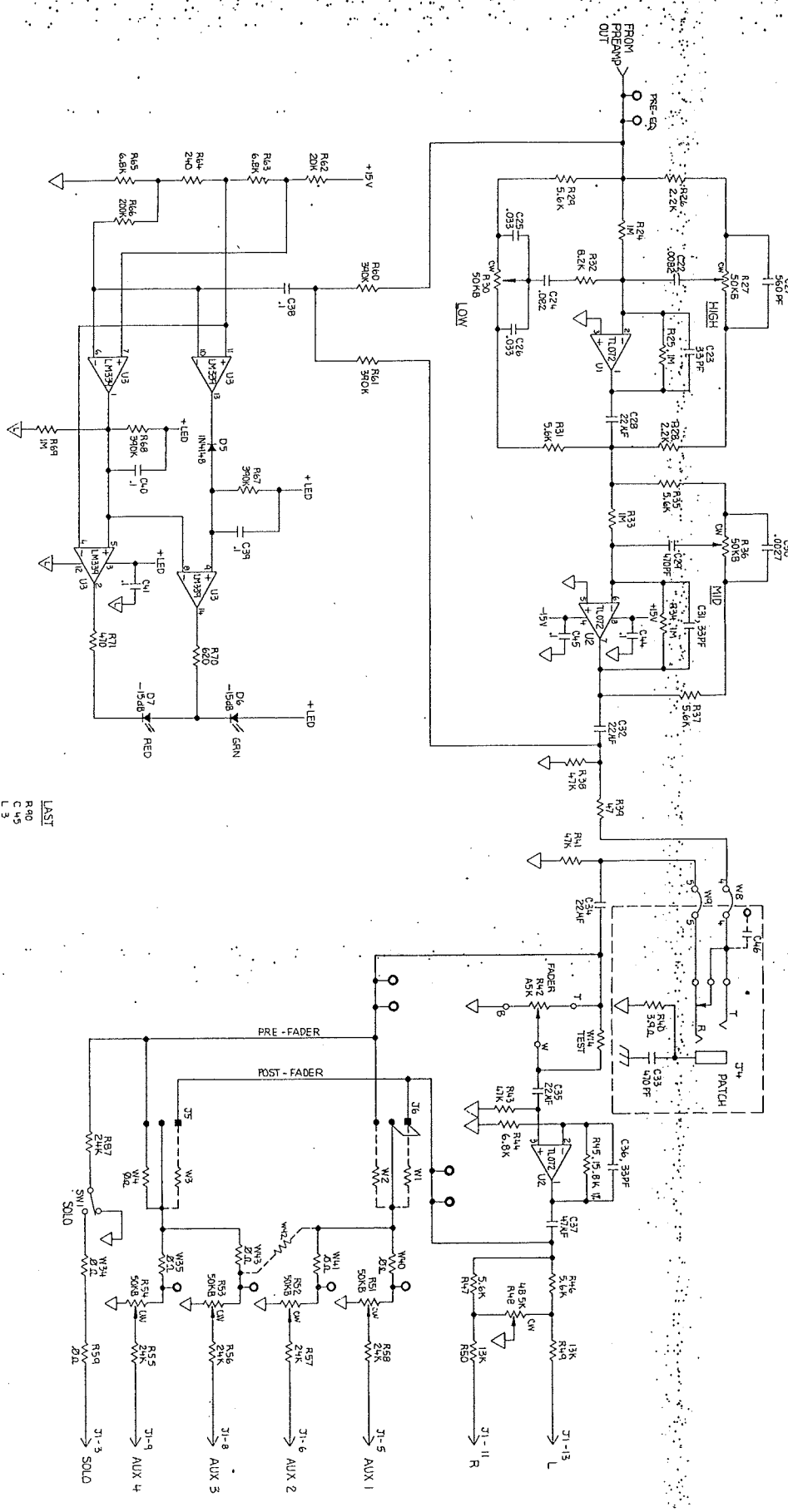
REV.	DATE	DESCRIPTION
A	07-3-00	06/30/00 REVISED TO 2.2K R2
B	08-1-01	06/30/00 REVISED TO 2.2K R2, 10K R22
C	08-1-01	06/30/00 REVISED TO 2.2K R2, 10K R22
D	08-1-01	06/30/00 REVISED TO 2.2K R2, 10K R22
E	08-1-01	06/30/00 REVISED TO 2.2K R2, 10K R22
F	08-1-01	06/30/00 REVISED TO 2.2K R2, 10K R22
G	08-1-01	06/30/00 REVISED TO 2.2K R2, 10K R22
H	08-1-01	06/30/00 REVISED TO 2.2K R2, 10K R22

**BIAMP SYSTEMS, INC.**  
 1000 W. 10TH AVENUE, SUITE 100  
 DENVER, CO 80202  
 (303) 733-7337  
 WWW.BIAMP.COM

**SCHEMATIC PACKMAX II, CASCADE 12.16.20 INPUT**

DATE: 08-1-01  
 DRAWN: JMM  
 CHECKED: JMM  
 APPROVED: JMM

- E B C
- E C B
- 2N3904
- MPS2222 A



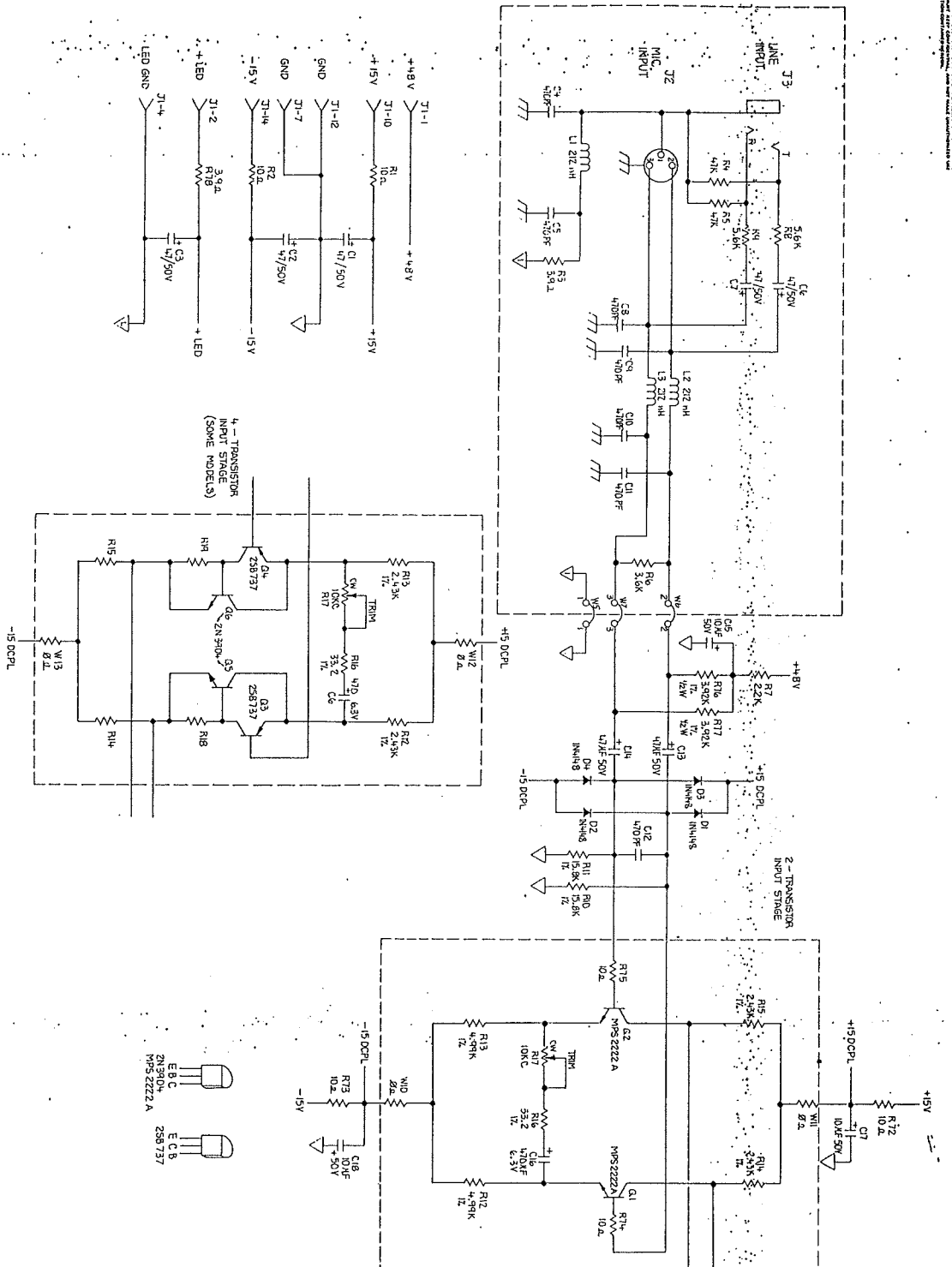
- LAST
- R90
- C45
- L3
- T7
- U3A
- SW6
- W30

A B C D E F G H

BIAAMP SYSTEMS, INC. 1000 W. 100th Street Portland, OR 97229	
SCHEMATIC CASCADE 12, 16, 20 INPUT	REVISED 12/23/07 12/23/07 12/23/07
DATE: 12/23/07 DRAWN: [Blank]	CHECKED: [Blank]
SCALE: NONE SHEET: 2 OF 2	PARTS LIST: [Blank]



THIS DRAWING IS THE PROPERTY OF BIAMP SYSTEMS, INC. IT IS TO BE USED ONLY FOR THE PROJECT AND QUANTITY SPECIFIED. IT IS NOT TO BE REPRODUCED, COPIED, OR DISTRIBUTED WITHOUT THE WRITTEN PERMISSION OF BIAMP SYSTEMS, INC. THE USER ASSUMES ALL LIABILITY FOR ANY DAMAGE TO PERSONS OR PROPERTY CAUSED BY THE USE OF THIS DRAWING.

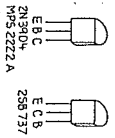


REV	DATE	DESCRIPTION
A	07-30	DRD RT FROM 470 Ω TO 2.2K

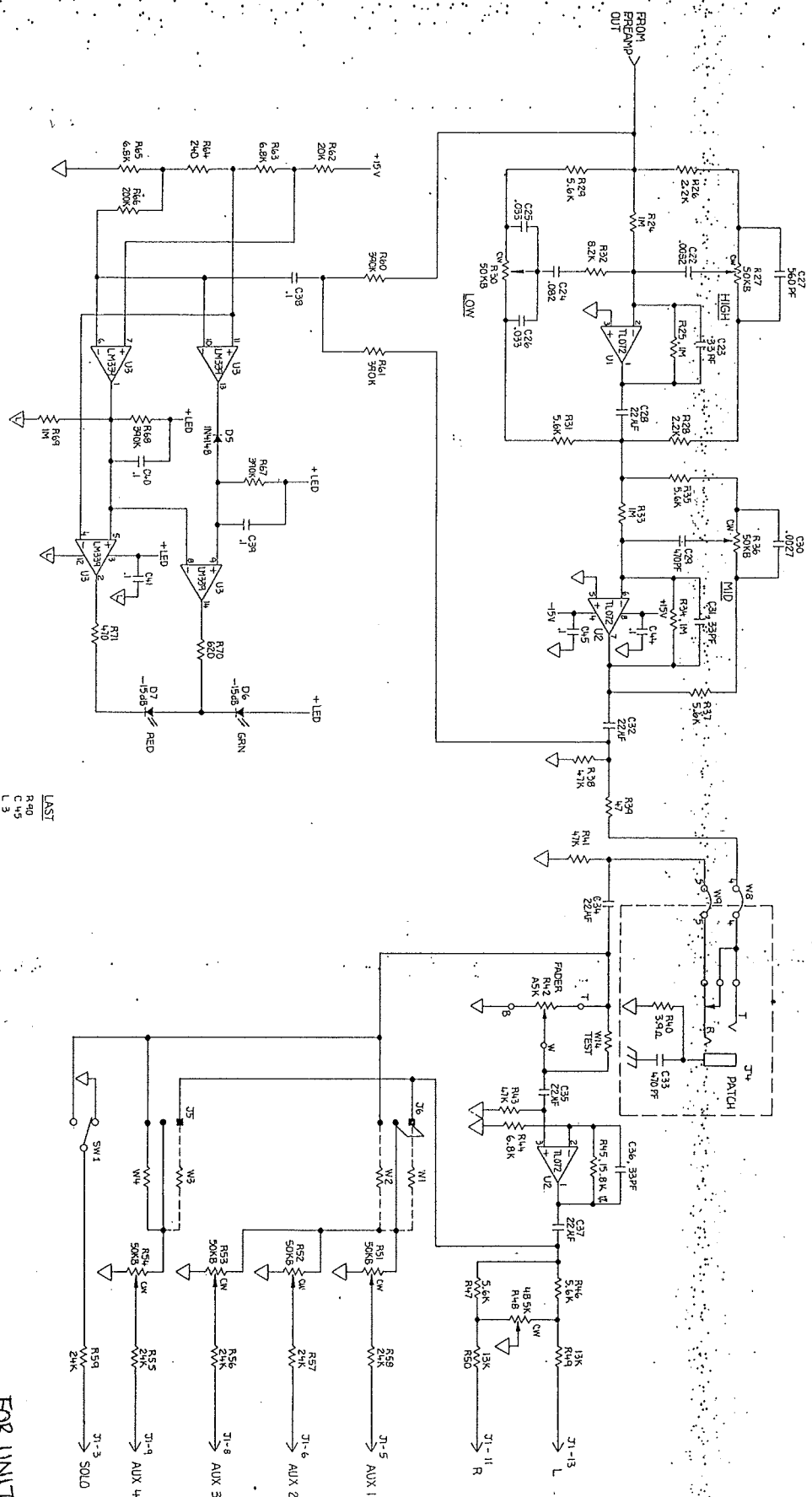
PROJECT NAME	BIAMP SYSTEMS, INC.
PROJECT NO.	700-0231-00
REV	1 OF 2
DATE	07/19/91
DESIGNED BY	SCHEMATIC
CHECKED BY	
APPROVED BY	

FOR UNITS PRIOR TO JULY 1991 SENDS 1-3 POST FADER, SEND 4 PRE



REV	DATE	DESCRIPTION	QUANTITY	UNIT	NO.
A	07-30	DRD RT FROM 470 Ω TO 2.2K		1	ND

THIS DRAWING IS THE PROPERTY OF BIAMP SYSTEMS, INC. IT IS TO BE USED ONLY FOR THE PROJECT AND QUANTITY SPECIFIED THEREON. IT IS NOT TO BE REPRODUCED, COPIED, OR TRANSMITTED IN ANY FORM OR BY ANY MEANS, WITHOUT THE WRITTEN PERMISSION OF BIAMP SYSTEMS, INC. THIS DRAWING IS THE PROPERTY OF BIAMP SYSTEMS, INC. IT IS TO BE USED ONLY FOR THE PROJECT AND QUANTITY SPECIFIED THEREON. IT IS NOT TO BE REPRODUCED, COPIED, OR TRANSMITTED IN ANY FORM OR BY ANY MEANS, WITHOUT THE WRITTEN PERMISSION OF BIAMP SYSTEMS, INC.



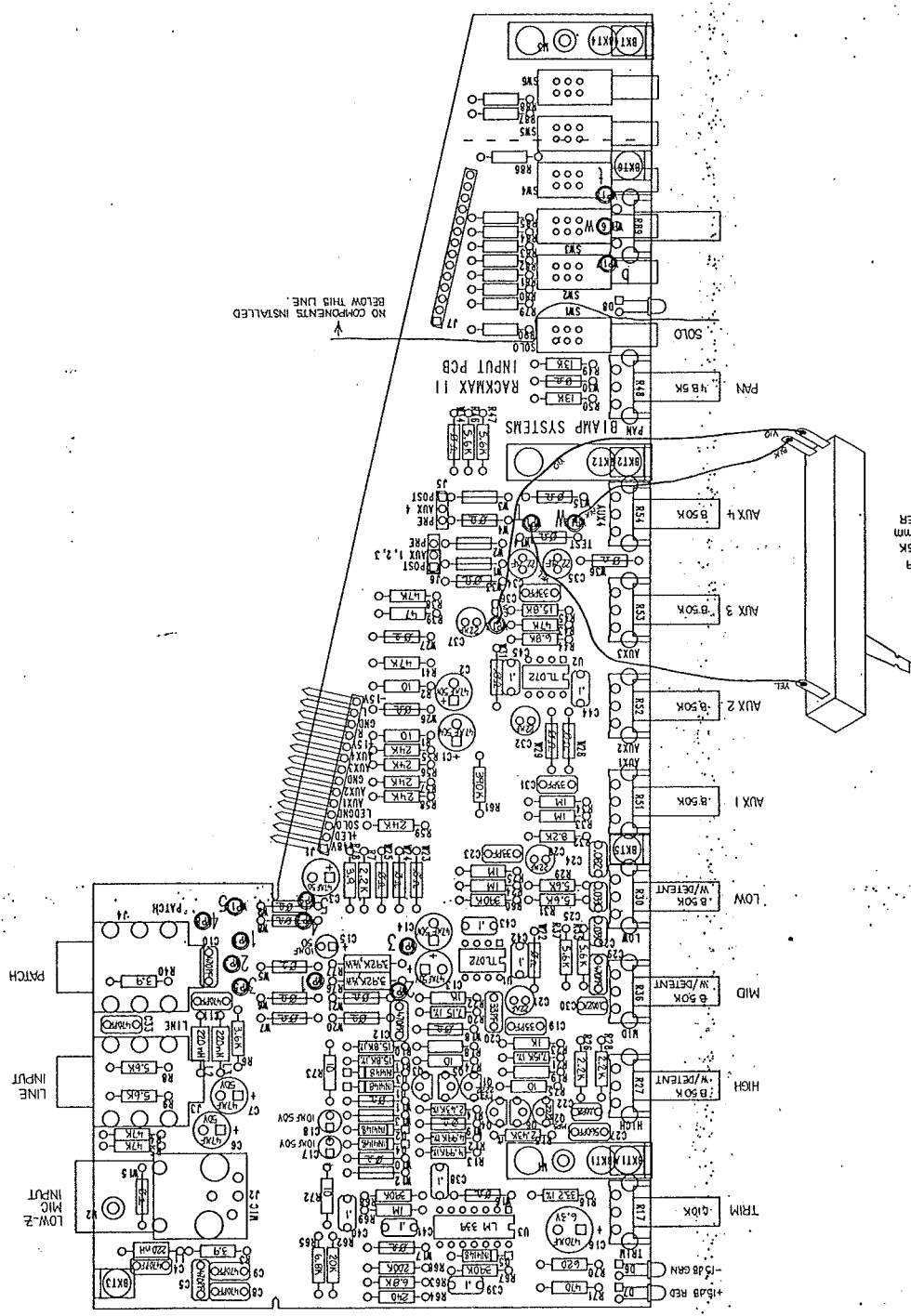
- LAST
- R-40
  - C-45
  - D-3
  - D-2
  - D-7
  - D-6
  - U-3
  - U-2
  - U-1
  - V-30

FOR UNITS PRIOR  
TO JULY 1991

DATE	REV. NO.	DESCRIPTION	BY	CHK
<p>BIAMP SYSTEMS, INC. BLAMP SYSTEMS, INC. CASCADING PROJECTS PHOENIX, AZ 85008</p>				
<p>CASCADE 12/16/20 INPUT</p>				
<p>BIAMP SYSTEMS, INC. PHOENIX, AZ 85008</p>				
<p>DATE: 1991-07-20</p>				
<p>REV. 2 OF 2</p>				

THIS DRAWING IS THE PROPERTY OF BIAMP SYSTEMS, INC. IT IS TO BE USED ONLY FOR THE PROJECT AND FOR THE QUANTITY SPECIFIED THEREON. IT IS NOT TO BE REPRODUCED, COPIED, OR TRANSMITTED IN ANY FORM OR BY ANY MEANS, ELECTRONIC OR MECHANICAL, INCLUDING PHOTOCOPYING, RECORDING, OR BY ANY INFORMATION STORAGE AND RETRIEVAL SYSTEM, WITHOUT THE WRITTEN PERMISSION OF BIAMP SYSTEMS, INC.

A B C D E F G H



BIAMP SYSTEMS

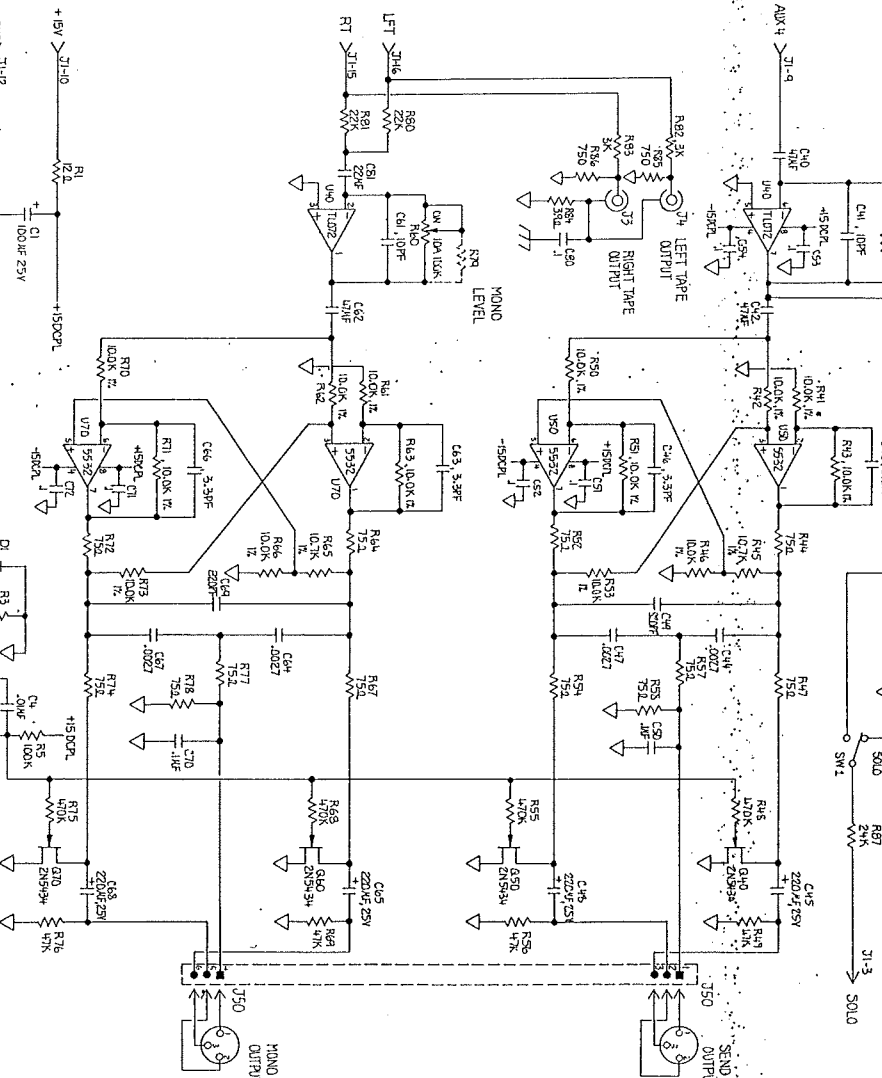
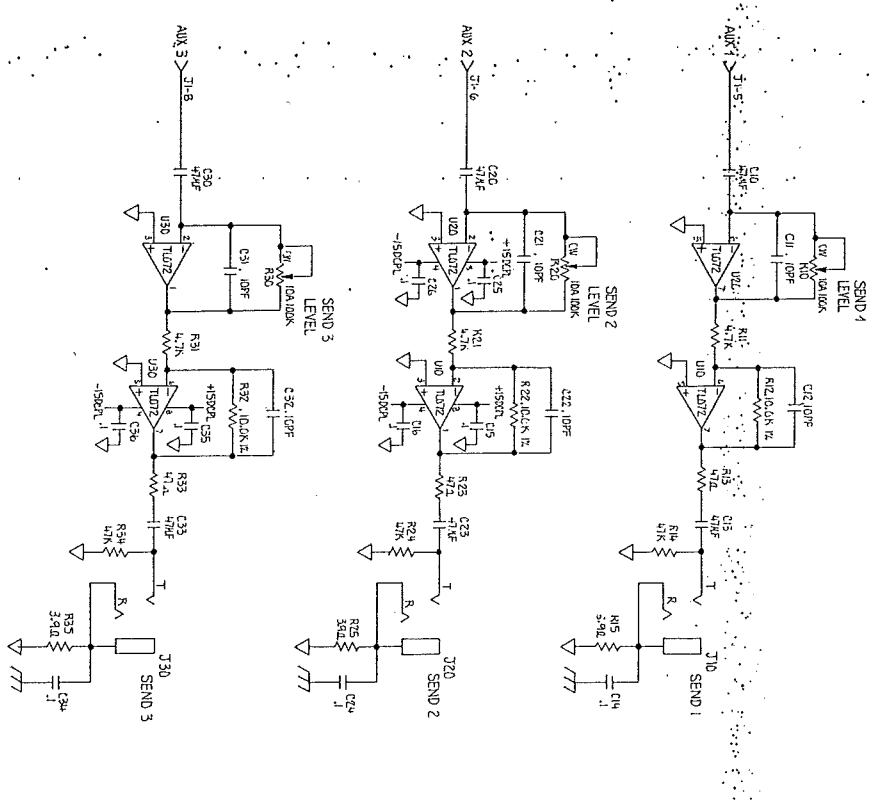
RACKMAX II INPUT PCB  
380-0230-00  
REV A

UNITS PRIOR  
TO JULY 1991

<b>BIAMP SYSTEMS, INC.</b> COMPONENT LAYOUT CASCADE 12, 16, 20 INPUT Form No. 70-0231-00 REV A		PART NO. QUANTITY PART NAME REV. NO. DATE
APPROVED: _____ DESIGNED: _____ CHECKED: _____ DRAWN: _____ MATERIAL: _____ DATE: _____		PART NO. QUANTITY PART NAME REV. NO. DATE

REV.	DATE	REVISION	QUANTITY	DATE	BY
A	07/3-90	CHG'D FR FROM 70-0231-00	225	7/1/90	ND

THIS DRAWING IS THE PROPERTY OF BIAMP SYSTEMS, INC. AND IS UNCLASSIFIED AND UNCONTROLLED DOCUMENT. IT IS TO BE KEPT IN CONFIDENTIALITY AND NOT TO BE DISCLOSED TO ANY OTHER PARTY WITHOUT THE WRITTEN PERMISSION OF BIAMP SYSTEMS, INC.

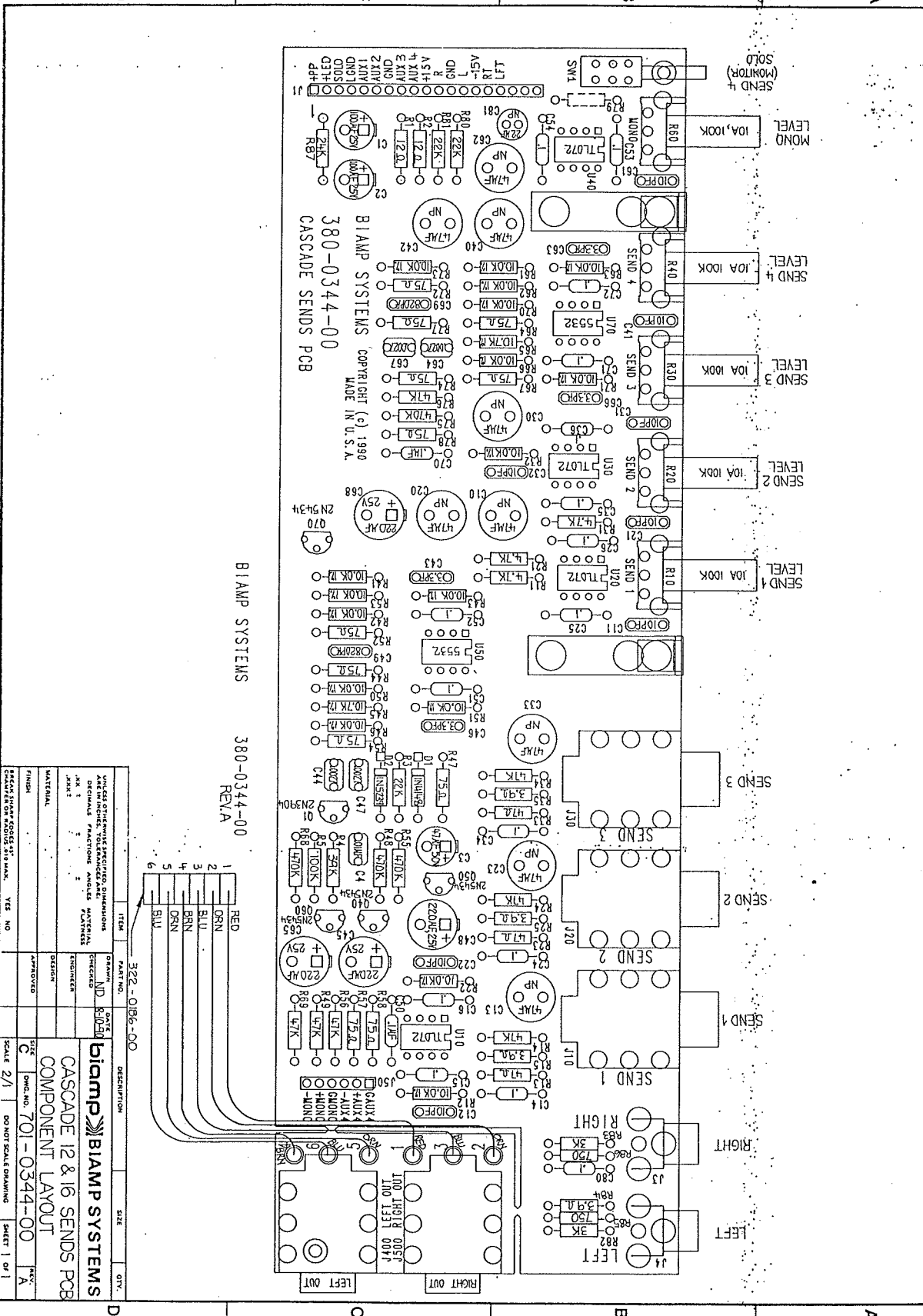


- R15: 25.5k, 5.6k, 8.4k
- C16: 2k, 5k, 5k, 2k, 80
- U20, 20, 30: 50, 7.2

BIAMP SYSTEMS, INC.		DATE: 08/15/90	
DESIGN NO: 0344-00		REV: 1	
PROJECT NO: 0344-00		REV: 1	
PROJECT NAME: CASCADE 12&16 SENDS PCB SCHEMATIC		REV: 1	
DESIGNED BY: [Name]		CHECKED BY: [Name]	
DRAWN BY: [Name]		DATE: [Date]	
SCALE: NONE		SHEET: 1 OF 1	

REV	DATE	REVISION	APPROVED BY
A	10-1-90	INITIAL DESIGN	[Signature]
B	10-1-90	REVISED FOR MANUFACTURING	[Signature]

This drawing is the property of Biamp Systems, Inc. and is not to be reproduced, stored in a retrieval system, or transmitted in any form or by any means, electronic, mechanical, photocopying, recording, or by any information storage and retrieval system, without the prior written permission of Biamp Systems, Inc. The information contained herein is confidential and proprietary.



REV.	ESD.	CHANGE	DATE	BY
A	HF-90	ADDED SW4, R85, R86, R87, CH6D, R82, R83.	11-5-90	ND

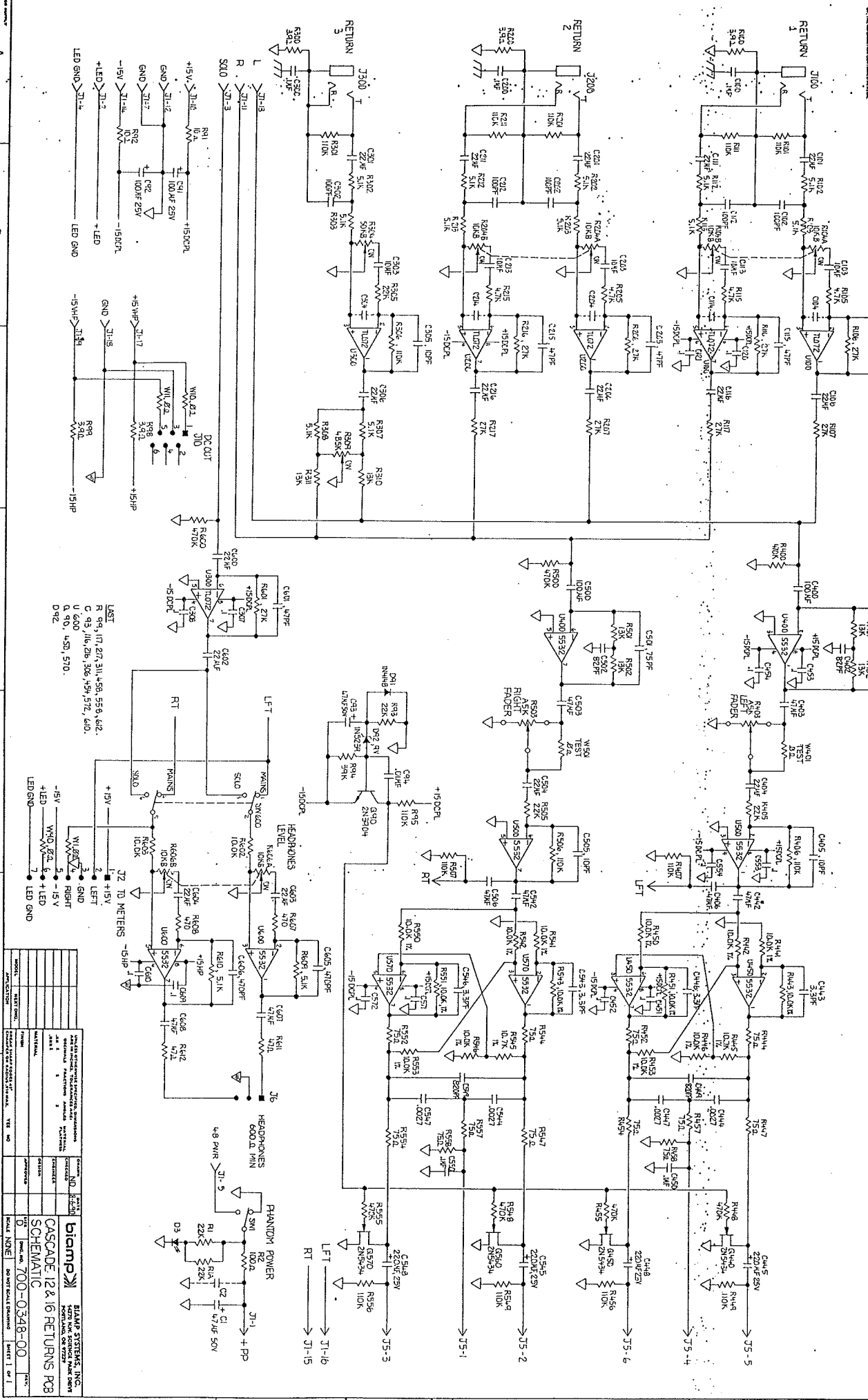
ITEM	PART NO.	QTY.
1	RED	
2	ORN	
3	BLU	
4	BRN	
5	ORN	
6	BLU	

322-0186-00

DESCRIPTION	SIZE	QTY.
Biamp Systems		
CASCADE 12 & 16 SENDS PCB		
COMPONENT LAYOUT		
DATE: 11-5-90		
DRG. NO. 701-0344-00		
SCALE: 2/1		
DO NOT SCALE DRAWING		
SHEET 1 of 1		



THIS SCHEMATIC IS THE PROPERTY OF BIAMP SYSTEMS, INC. AND IS NOT TO BE REPRODUCED OR TRANSMITTED IN ANY FORM OR BY ANY MEANS, ELECTRONIC OR MECHANICAL, INCLUDING PHOTOCOPYING, RECORDING, OR BY ANY INFORMATION STORAGE AND RETRIEVAL SYSTEM, WITHOUT THE WRITTEN PERMISSION OF BIAMP SYSTEMS, INC.



- U201 R 99, 1T, 2T, 311, 458, 556, 612.  
 C 93, 116, 216, 306, 459, 572, 610.  
 U 600  
 D 92  
 D 92

NO.	REV.	DATE	DESCRIPTION
1	1		INITIAL RELEASE
2	1		REVISION
3	1		REVISION
4	1		REVISION
5	1		REVISION
6	1		REVISION
7	1		REVISION
8	1		REVISION
9	1		REVISION
10	1		REVISION
11	1		REVISION
12	1		REVISION
13	1		REVISION
14	1		REVISION
15	1		REVISION
16	1		REVISION
17	1		REVISION
18	1		REVISION
19	1		REVISION
20	1		REVISION

BIAMP SYSTEMS, INC.  
 12000 W. 10TH AVE.  
 DENVER, CO 80202  
 (303) 751-1000  
 FAX (303) 751-1001  
 WWW.BIAMP.COM