

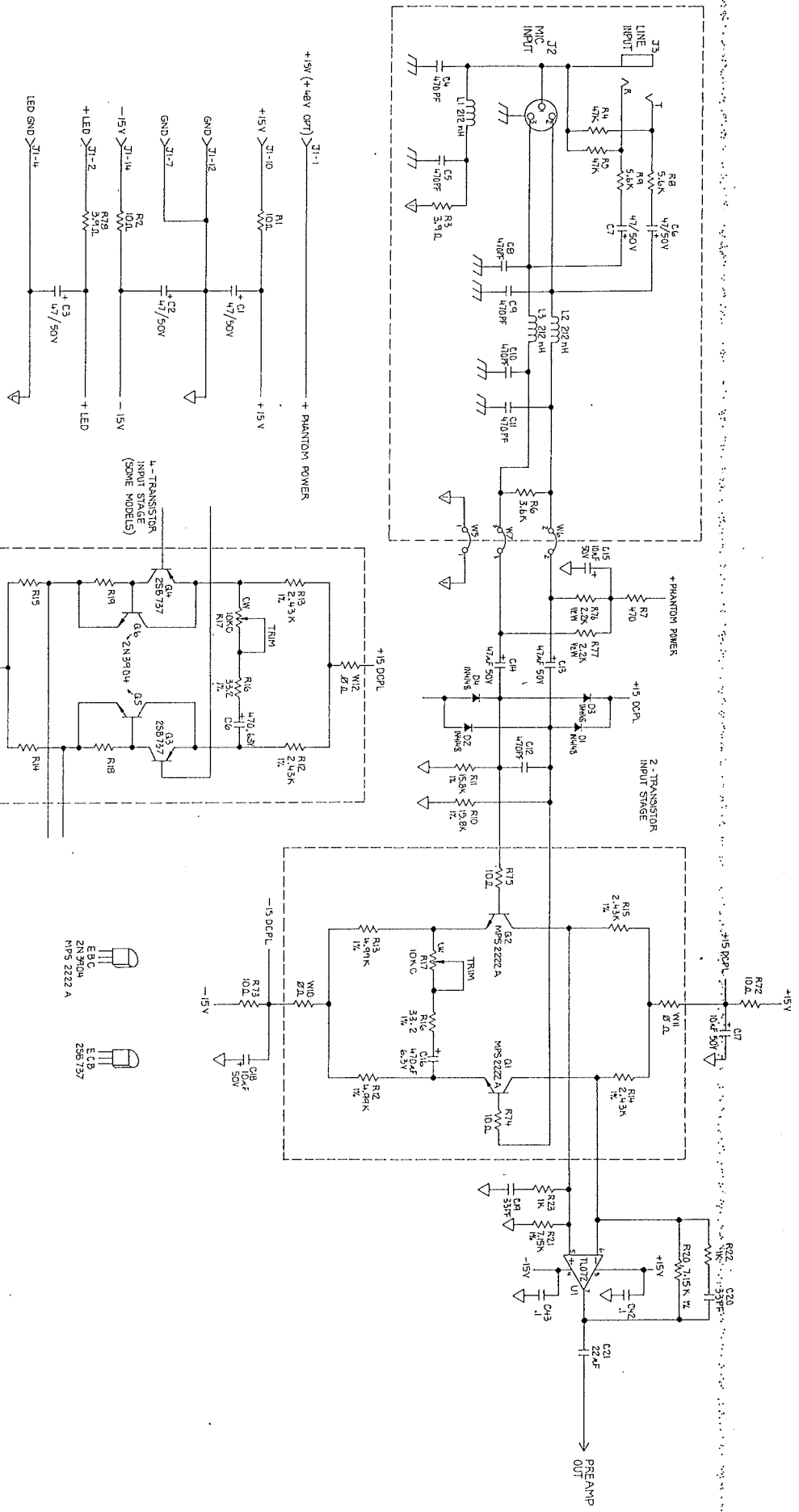
Cascade Rack-Mount

Schematic

B I A M P[®]

S Y S T E M S

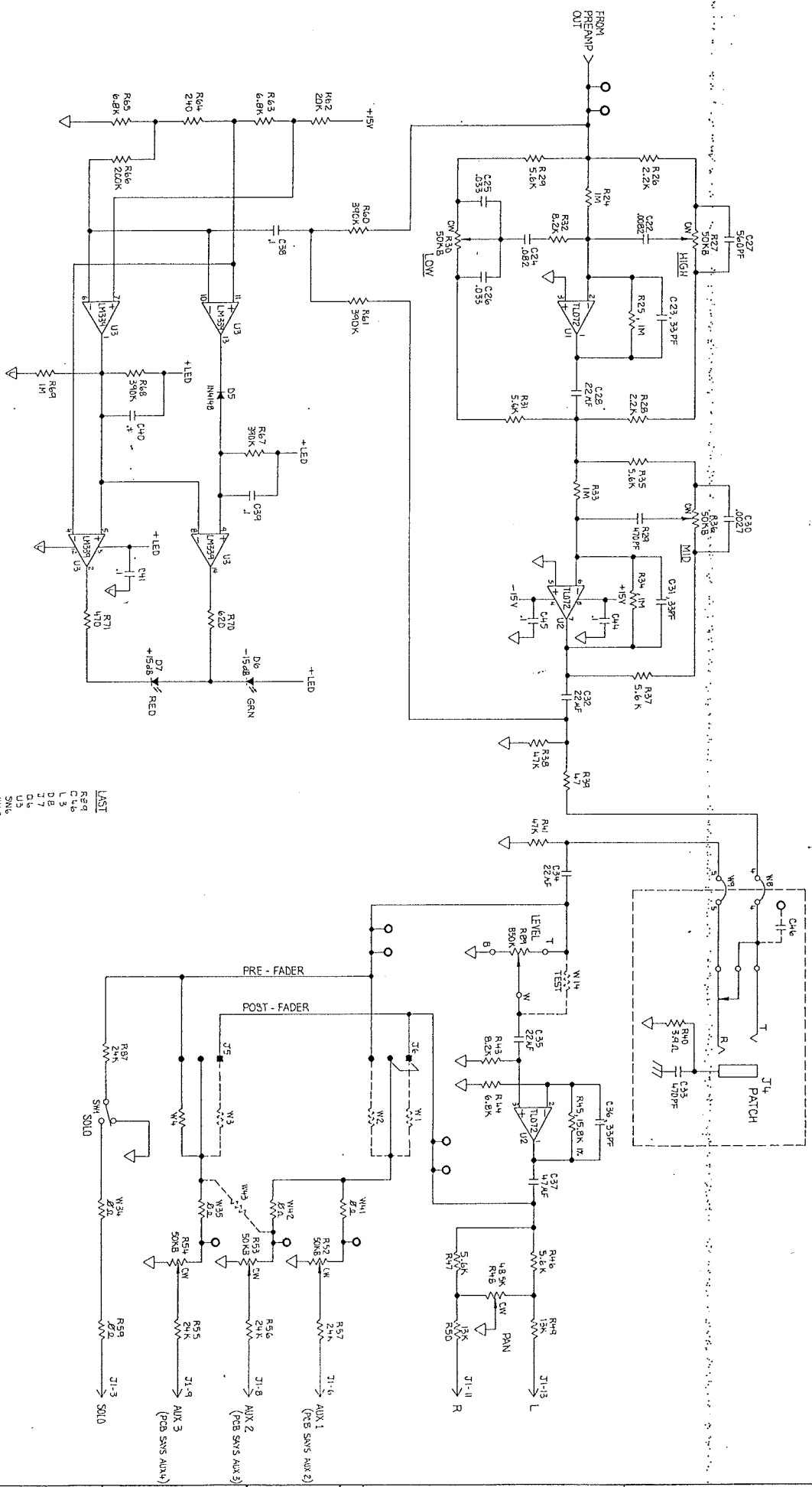
THESE SCHEMATIC DRAWINGS ARE THE PROPERTY OF BIAMP INC. AND ARE NOT TO BE REPRODUCED OR TRANSMITTED IN ANY FORM OR BY ANY MEANS, ELECTRONIC OR MECHANICAL, INCLUDING PHOTOCOPYING, RECORDING, OR BY ANY INFORMATION STORAGE AND RETRIEVAL SYSTEM. ANY UNAUTHORIZED REPRODUCTION OR TRANSMISSION IS STRICTLY PROHIBITED. BIAMP INC. 1000 W. 10TH AVENUE, DENVER, CO 80202-1000, USA. TEL: 303-733-1000. FAX: 303-733-1001. WWW.BIAMP.COM



biamp <small>BIAMP SYSTEMS, INC.</small> <small>1000 W. 10TH AVENUE, DENVER, CO 80202-1000, USA</small>	
SCHEMATIC CASCADE 8/332 R INPUT	
PART NO. 700-0232-00 REV. D	DATE 02/20/00 BY MD
TITLE INPUT STAGE PROJECT BIAMP CASCADE 8/332 R	SHEET 1 OF 2
AUTHOR MD CHECKED MD DATE 02/20/00	APPROVED MD DATE 02/20/00

A B C D E F G H

THIS SCHEMATIC IS THE PROPERTY OF BIAMP SYSTEMS, INC. IT IS TO BE USED ONLY FOR THE EQUIPMENT SPECIFICALLY IDENTIFIED HEREIN. IT IS NOT TO BE REPRODUCED OR TRANSMITTED IN ANY FORM OR BY ANY MEANS, ELECTRONIC OR MECHANICAL, INCLUDING PHOTOCOPYING, RECORDING, OR BY ANY INFORMATION STORAGE AND RETRIEVAL SYSTEM, WITHOUT THE WRITTEN PERMISSION OF BIAMP SYSTEMS, INC.

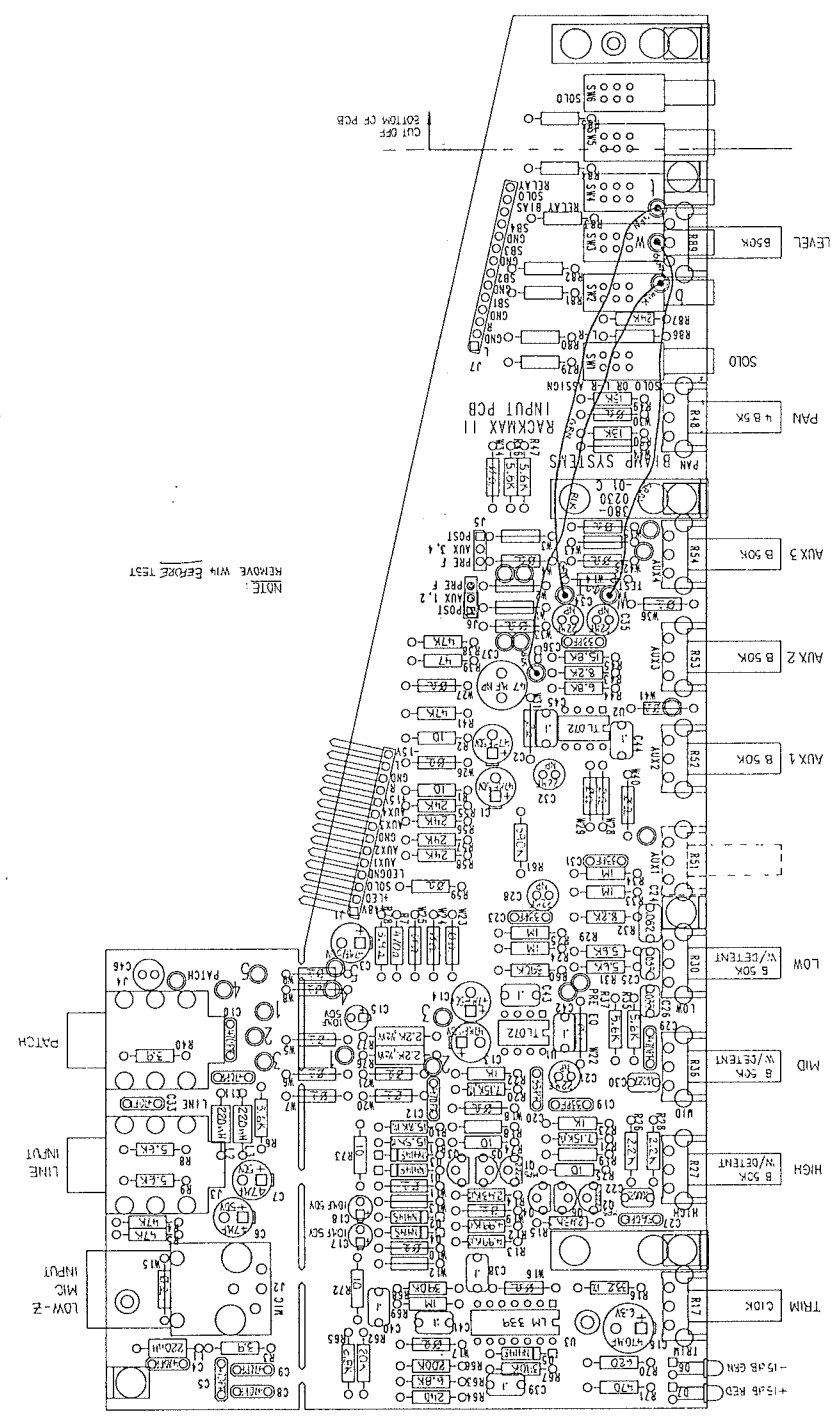


- LAST
- R49 L 3
 - C46 L 3
 - D8 D 7
 - D7 D 7
 - U4 U 4
 - U3 U 3
 - U2 U 2
 - U1 U 1
 - W4-5 W 4-5

biamp BIAMP SYSTEMS, INC. 1000 W. 10th Street, Suite 100 San Jose, CA 95128 (415) 251-1000		SCHEMATIC CASCADE 8/332 R INPUT (PDB SWS AUX 2)	
PART NO. 8/332 R	REV. 1	DATE 10/11/88	DRAWN BY J. W.
CHECKED BY J. W.	APPROVED BY J. W.	PROJECT NO. 700-0232-00	SHEET NO. 1
TITLE CASCADE 8/332 R INPUT	PART NO. 8/332 R	REV. 1	DATE 10/11/88

A B C D E F G H

THIS DRAWING IS THE PROPERTY OF BIAMP SYSTEMS, INC. IT IS TO BE USED ONLY FOR THE PROJECT AND QUANTITY SPECIFIED HEREON. IT IS NOT TO BE REPRODUCED, COPIED, OR TRANSMITTED IN ANY FORM OR BY ANY MEANS, ELECTRONIC OR MECHANICAL, INCLUDING PHOTOCOPYING, RECORDING, OR BY ANY INFORMATION STORAGE AND RETRIEVAL SYSTEM, WITHOUT THE WRITTEN PERMISSION OF BIAMP SYSTEMS, INC.



BIAMP SYSTEMS
14720 N.W. Science Park Drive
Portland, Oregon 97229
(503) 641-7287

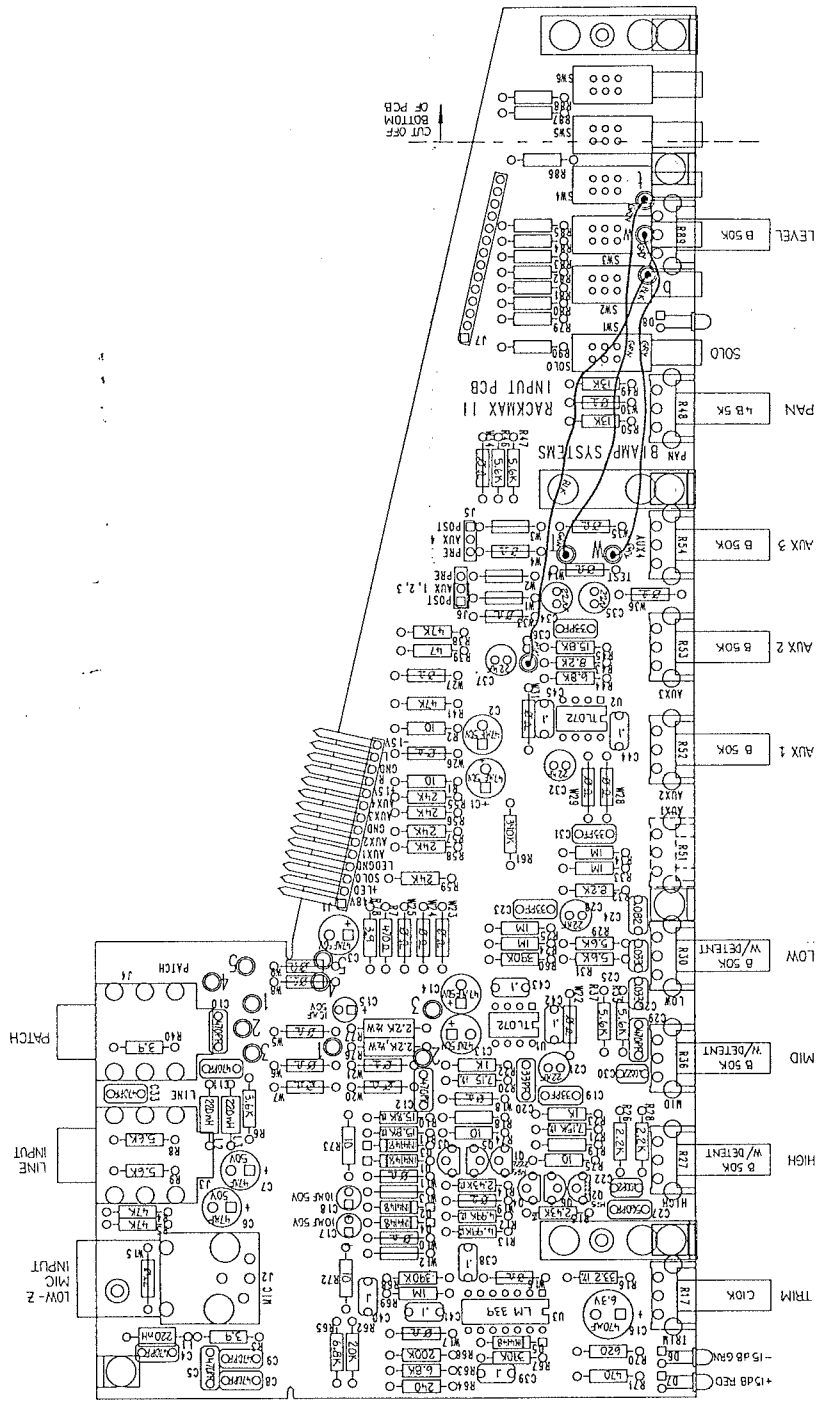
RACKMAX II INPUT PCB
380-0230-01
REV C

blamp BIAMP SYSTEMS, INC. 14720 N.W. Science Park Drive Portland, Oregon 97229	
PROJECT: CASCADE 8/332R INPUT PCB PART: 380-0230-01 REV: 70-0232-00	DATE: 10/81 DRAWN: [blank] CHECKED: [blank]
MATERIALS: [blank] MANUFACTURING: [blank]	COMMENTS: [blank]

3800230C JOB - Tue Apr 02 12:08:13 1991

A B C D E F G H

THIS DRAWING IS THE PROPERTY OF BIAMP SYSTEMS, INC. AND IS NOT TO BE REPRODUCED OR TRANSMITTED IN ANY FORM OR BY ANY MEANS, ELECTRONIC OR MECHANICAL, INCLUDING PHOTOCOPYING, RECORDING, OR BY ANY INFORMATION STORAGE AND RETRIEVAL SYSTEM. ANY UNAUTHORIZED REPRODUCTION OR TRANSMISSION IS STRICTLY PROHIBITED. BIAMP SYSTEMS, INC. 1990.



BIAMP SYSTEMS
RACKMAX II INPUT PCB
380-0230-00
REV A

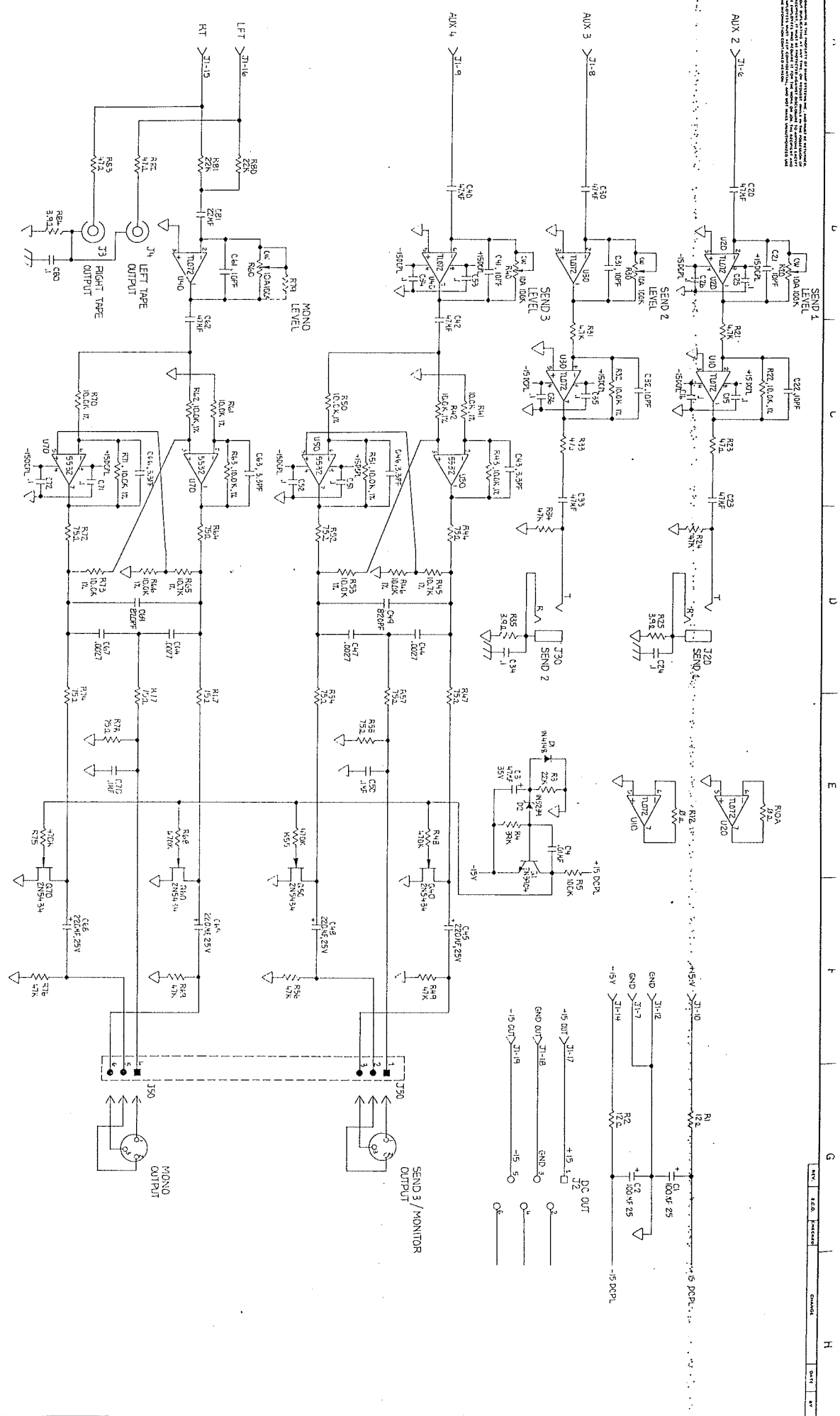
*FOR UNITS PRIOR
TO JULY 1991*

BIAMP SYSTEMS, INC. 1000 W. 10TH AVENUE, SUITE 100 DENVER, CO 80202	
PROJECT: CASCADE 8/332R INPUT PCB DATE: 01-02-92	REV: A DATE: 07-19-91
DESIGNER: [Blank] CHECKED: [Blank]	DATE: [Blank]
DATE: [Blank]	DATE: [Blank]

3800230A.JOB - Sat May 12 10:10:50 1990

A B C D E F G H

This document is the property of Blamp Systems Inc. and shall not be distributed, copied, or reproduced in any form without the express written consent of Blamp Systems Inc. All rights reserved. © 1977 Blamp Systems Inc.



L8ST
 R38
 U70
 D2

REV	DATE	BY	CHKD	DESCRIPTION
1				
2				
3				
4				
5				
6				
7				
8				
9				
10				
11				
12				
13				
14				
15				
16				
17				
18				
19				
20				

REV	DATE	BY	CHKD	DESCRIPTION
1				
2				
3				
4				
5				
6				
7				
8				
9				
10				
11				
12				
13				
14				
15				
16				
17				
18				
19				
20				

Blamp Systems Inc.
 8751 14th Avenue East
 Denver, CO 80231
 Phone: 700-0244-00

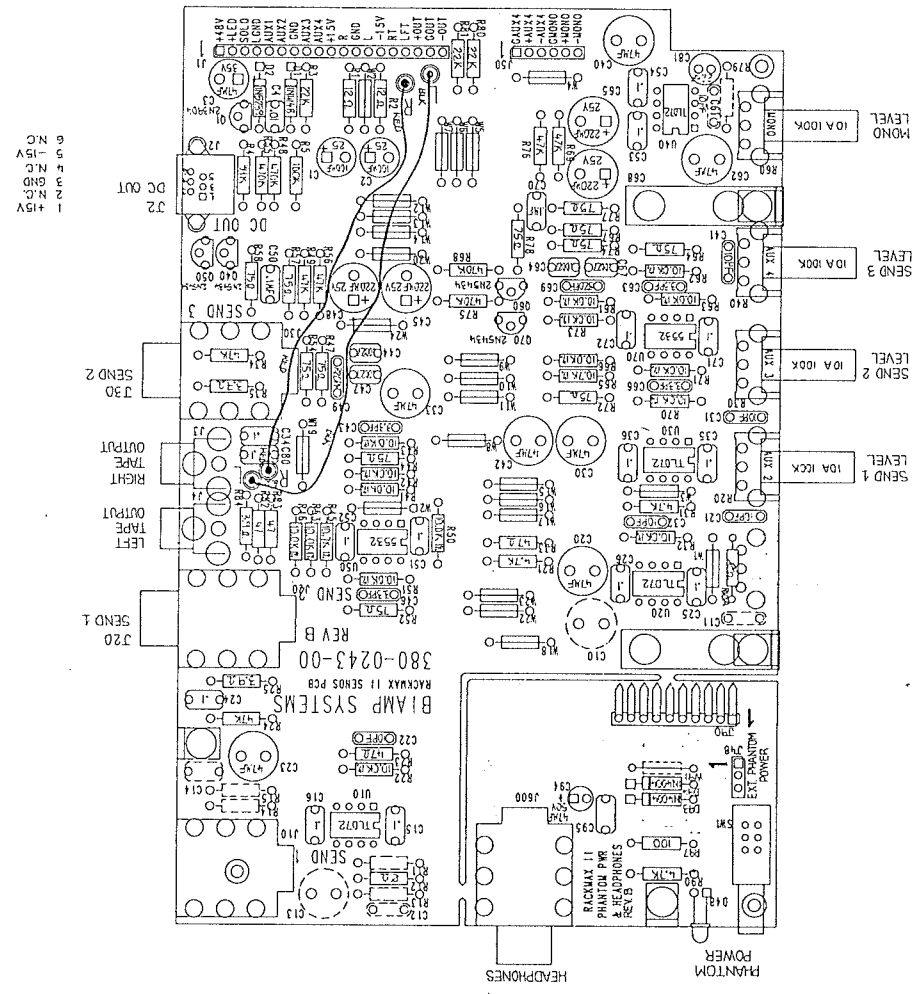
THIS DRAWING IS THE PROPERTY OF BIAMP SYSTEMS, INC. AND IS NOT TO BE REPRODUCED OR TRANSMITTED IN ANY FORM OR BY ANY MEANS, ELECTRONIC OR MECHANICAL, INCLUDING PHOTOCOPYING, RECORDING, OR BY ANY INFORMATION STORAGE AND RETRIEVAL SYSTEM.

REV. NO. 1
380-0243-00 REV B PCB
5-22-89

A B C D E F G H

3800243A JOB - Sat May 12 09:27:13 1990

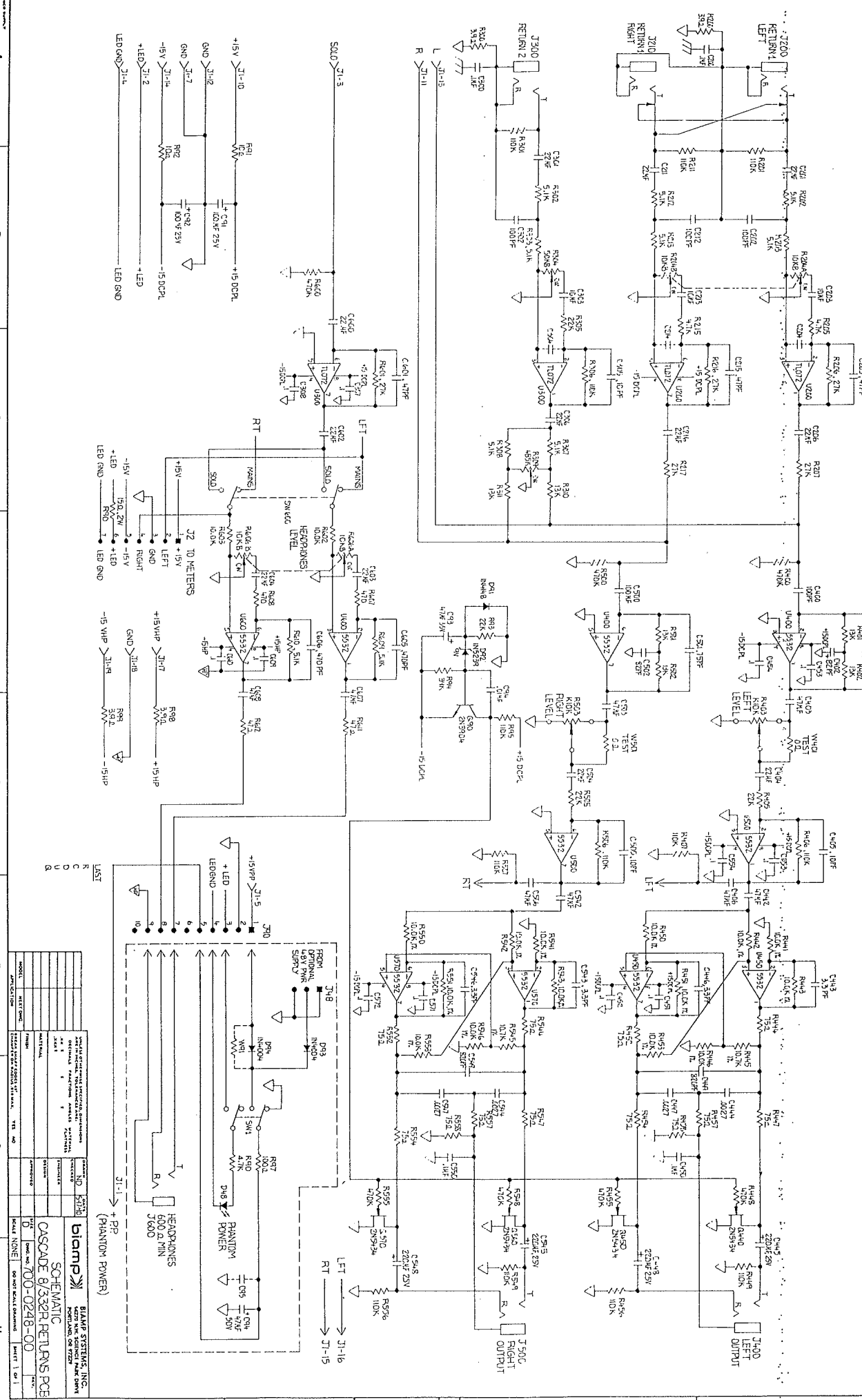
BIAMP SYSTEMS
RACKMAX II SENDS PCB
380-0243-00 REV B



DATE OF ORIGINAL DESIGN APPROVAL	DATE OF THIS REVISION
DESIGNED BY	DESIGNED BY
DESIGNED BY	DESIGNED BY
DESIGNED BY	DESIGNED BY
DESIGNED BY	DESIGNED BY
DESIGNED BY	DESIGNED BY

COMPONENT	CONTRACT	REVISION	DATE
BIAMP SYSTEMS, INC.		1	
COMPOUNT LAYOUT			
CASCADE 8/32R SENDS PCB			

REV	DATE	BY
1		



BIAMP SYSTEMS, INC.
 35715
 4000 N.W. 24th Street, Suite 200
 Fort Lauderdale, FL 33309
 (954) 571-3333
 www.biamp.com

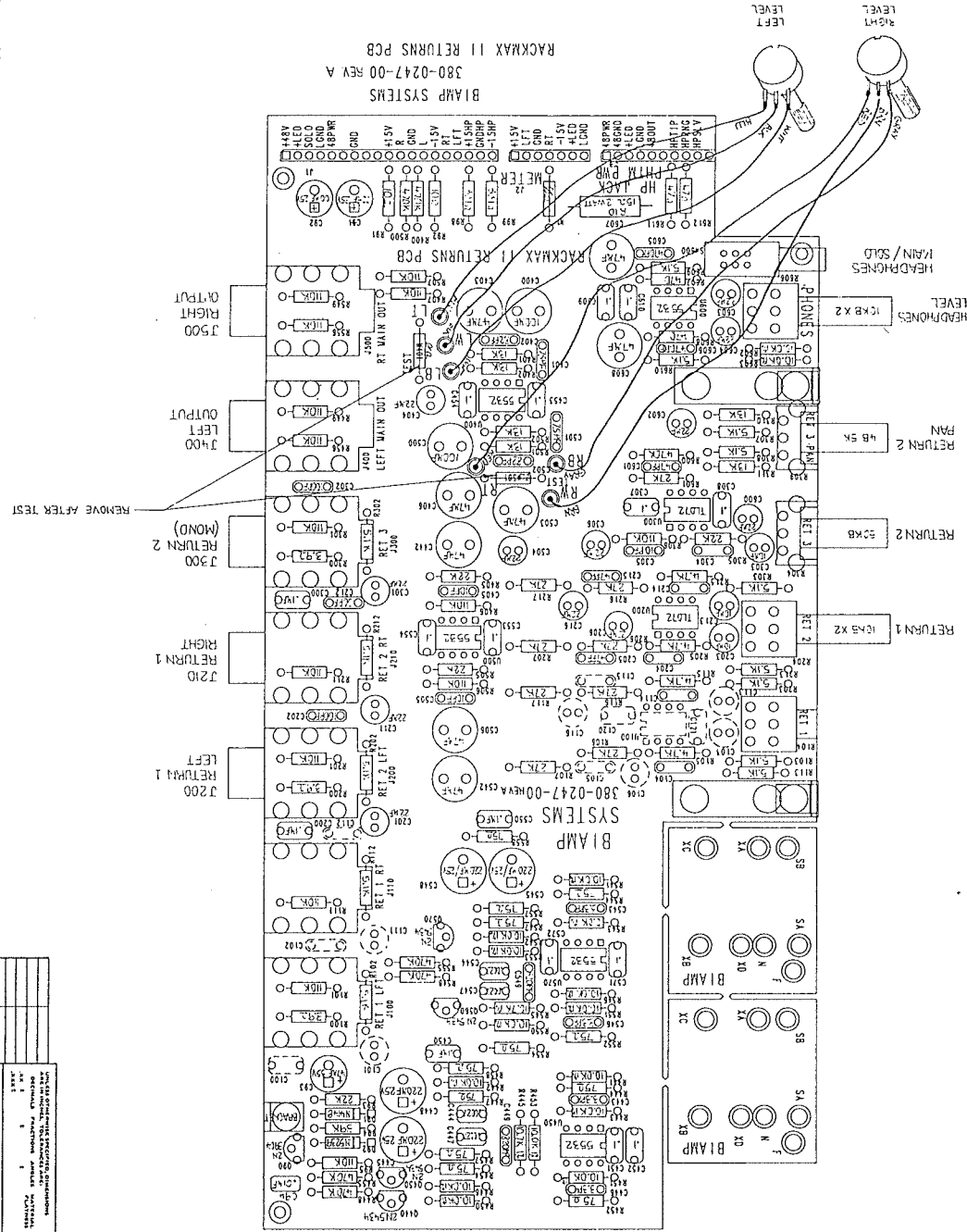
SCHEMATIC
 CASCADE 8/32R RETURNS POE
 (REV. 00) (REV. 00)
 DATE: 07/24/00
 DRAWN: J. JONES

NO.	DESCRIPTION	QTY	UNIT
1	U101, U102, U103	3	OP AMP
2	U104, U105, U106	3	COMPARATOR
3	LED1, LED2, LED3	3	LED
4	R1-R100	100	RESISTOR
5	C1-C50	50	CAPACITOR
6	J1-J10	10	CONNECTOR
7	D1-D10	10	DIODE

THIS DRAWING IS THE PROPERTY OF BIAMP SYSTEMS, INC. AND IS TO BE USED ONLY FOR THE PROJECT AND SITE SPECIFICALLY IDENTIFIED HEREON. IT IS NOT TO BE REPRODUCED, COPIED, OR TRANSMITTED IN ANY FORM OR BY ANY MEANS, ELECTRONIC OR MECHANICAL, INCLUDING PHOTOCOPYING, RECORDING, OR BY ANY INFORMATION STORAGE AND RETRIEVAL SYSTEM, WITHOUT THE WRITTEN PERMISSION OF BIAMP SYSTEMS, INC.

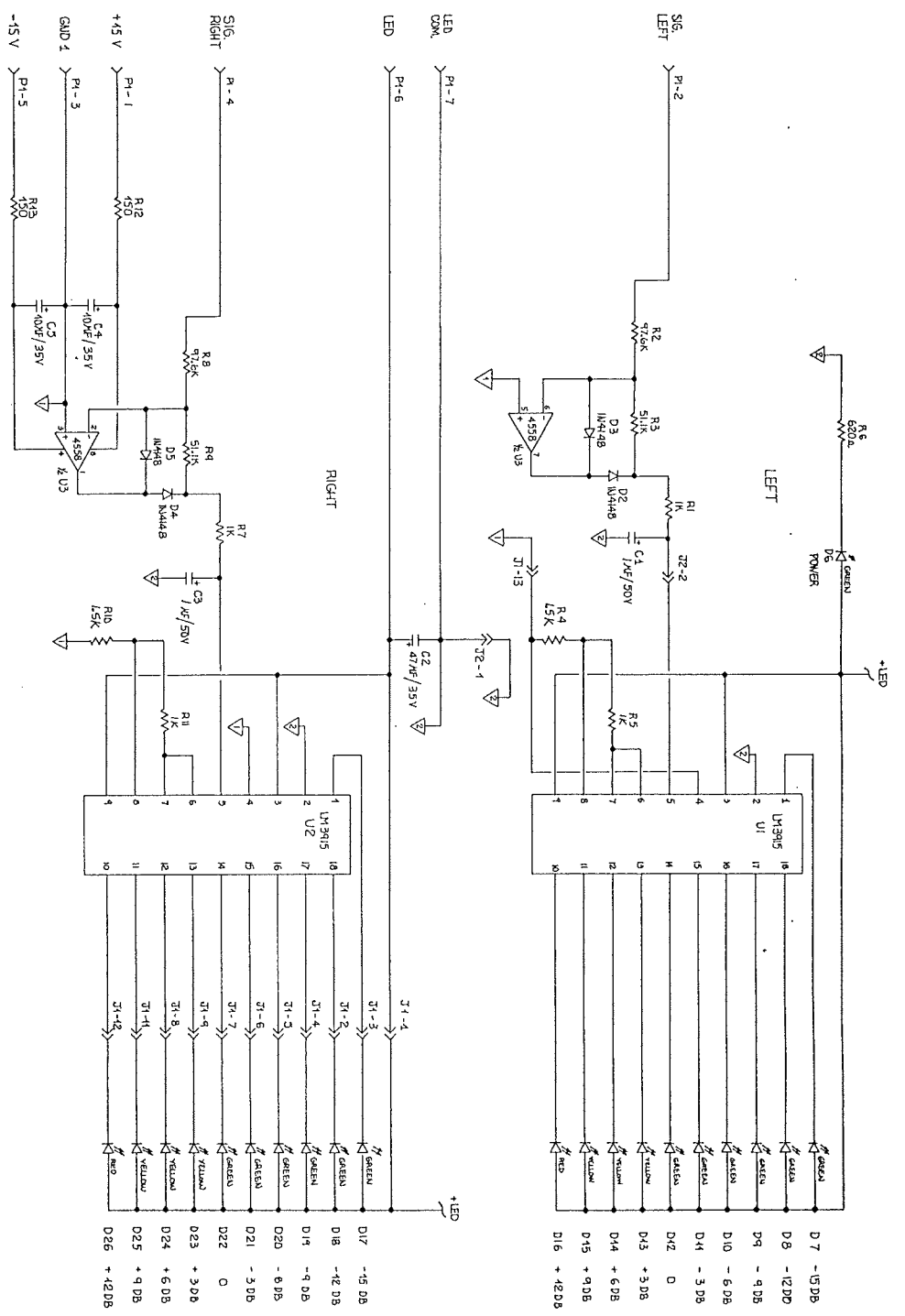
A B C D E F G H

3800247.job - Sat May 12 09:45:14 1990



BIAMP SYSTEMS, INC. 10000 W. 10th Street Portland, OR 97228		COMPONENT LAYOUT CASCADE 8/32R RETURNS PCB Part No: 701-0248-00 Scale: 2X Do Not Scale Drawing	
Project No: _____ Drawing No: _____ Revision: _____ Date: _____	Author: _____ Designer: _____ Checker: _____ Approver: _____	Title: _____ Scale: _____ Date: _____	Sheet: 1 of 1

THIS DRAWING IS THE PROPERTY OF BIAMP SYSTEMS, INC. IT IS TO BE USED ONLY FOR THE PROJECT AND QUANTITY SPECIFIED THEREON. IT IS NOT TO BE REPRODUCED, COPIED, OR TRANSMITTED IN ANY FORM OR BY ANY MEANS, ELECTRONIC OR MECHANICAL, INCLUDING PHOTOCOPYING, RECORDING, OR BY ANY INFORMATION STORAGE AND RETRIEVAL SYSTEM. WITHOUT THE WRITTEN PERMISSION OF BIAMP SYSTEMS, INC.

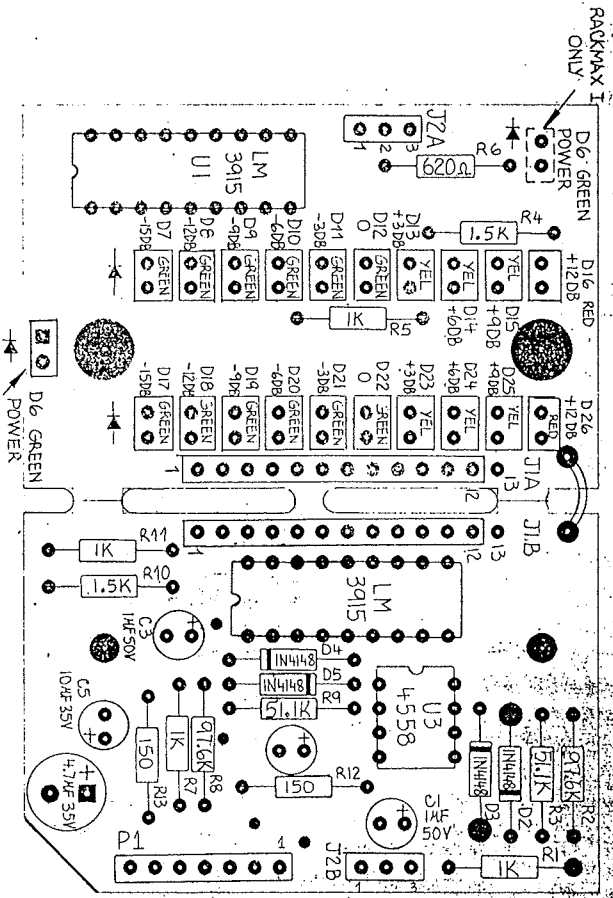


A B C D E F G H

REV	DATE	DESCRIPTION	BY
B	05/18/87	QUANTITY TO BE MADE 1000	WJ
C	02/27/89	3400 ORIGINAL REVISED PCB	WJ
D	03/24/91	CHANGE TO 3400 ORIGINAL REVISED PCB	WJ
E	09/27/91	CHANGE R2, R3, R4, R5, R7 FOR THE NEW BEE 1505-01	WJ

biamp BIAMP SYSTEMS, INC.
 RACKFAX BOARD
 4500 RALEIGH AVENUE, SUITE 200
 RICHMOND, VA 23261
 TEL: 804-770-7000 FAX: 804-770-7001

This drawing is the property of Biamp Systems, Inc. and shall remain the property of Biamp Systems, Inc. without compensation. It is the responsibility of the recipient to protect against disclosure to anyone except those employees and agents of the recipient who have a need to know. The recipient shall not use, copy, or disseminate this drawing without the written consent of Biamp Systems, Inc.



- 1 +15 V
- 2 SIG. LEFT
- 3 GND
- 4 SIG. RIGHT
- 5 -15 V
- 6 + LED
- 7 LED COMMON

BIAMP BARGRAPH BOARD
RACKMAX
380-0186-00 REV D

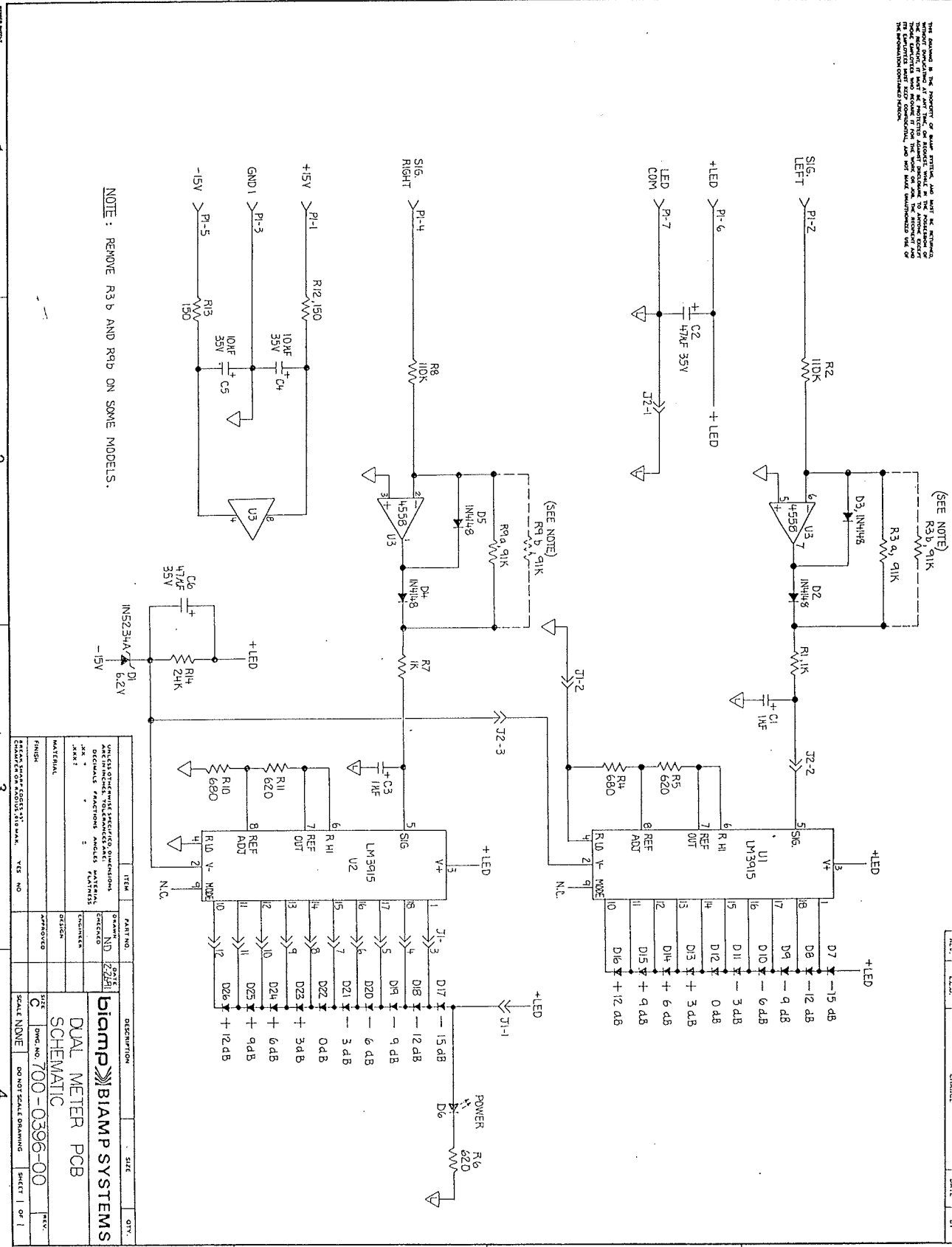
ITEM	PART NO.	DESCRIPTION	SIZE	QTY.
UNLESS OTHERWISE SPECIFIED, DIMENSIONS ARE IN INCHES. TOLERANCES ARE AS SHOWN. DECIMALS FRACTIONS ANGLES PLAINNESS XXXX				
MATERIAL				
FINISH				
MODEL				
APPLICATION				
APPROVED				
DESIGN				
ENGINEER				
CHECKED				
DRAWN				
ND				

A B C D

REV.	DATE	CHANGE	DATE	BY
D	027-89	380-0186-00 REV. D FILM	1-31-89	ND
E	014-90	MOVE POWER LED	4-10-90	ND
F	003-91	CHG'D: R6 FROM 330Ω TO 620Ω	1-24-91	ND
G	047-91	CHG'D: R2, R3, R8, R9 FOR +4dBu REF	3-29-91	ND

Biamp BIAMP SYSTEMS
 COMPONENT LAYOUT
 RACKMAX BARGRAPH BOARD
 SCALE 2X DO NOT SCALE DRAWING SHEET 1 OF 1

THIS DRAWING IS THE PROPERTY OF BIAMP SYSTEMS, INC. AND IS NOT TO BE REPRODUCED OR TRANSMITTED IN ANY FORM OR BY ANY MEANS, ELECTRONIC OR MECHANICAL, INCLUDING PHOTOCOPYING, RECORDING, OR BY ANY INFORMATION STORAGE AND RETRIEVAL SYSTEM. THE DESIGN AND CONSTRUCTION OF THIS PRODUCT IS THE PROPERTY OF BIAMP SYSTEMS, INC. AND IS NOT TO BE REPRODUCED OR TRANSMITTED IN ANY FORM OR BY ANY MEANS, ELECTRONIC OR MECHANICAL, INCLUDING PHOTOCOPYING, RECORDING, OR BY ANY INFORMATION STORAGE AND RETRIEVAL SYSTEM.



NOTE: REMOVE R3b AND R4b ON SOME MODELS.

ITEM	PART NO.	DESCRIPTION	QTY.	SIZE
1	LM3915	IC	2	
2	LM3915	IC	2	
3	RESISTOR	1K	1	
4	RESISTOR	150	1	
5	RESISTOR	1K	1	
6	RESISTOR	150	1	
7	RESISTOR	1K	1	
8	RESISTOR	150	1	
9	RESISTOR	1K	1	
10	RESISTOR	150	1	
11	RESISTOR	1K	1	
12	RESISTOR	150	1	
13	RESISTOR	1K	1	
14	RESISTOR	150	1	
15	RESISTOR	1K	1	
16	RESISTOR	150	1	
17	RESISTOR	1K	1	
18	RESISTOR	150	1	
19	RESISTOR	1K	1	
20	RESISTOR	150	1	
21	RESISTOR	1K	1	
22	RESISTOR	150	1	
23	RESISTOR	1K	1	
24	RESISTOR	150	1	
25	RESISTOR	1K	1	
26	RESISTOR	150	1	
27	RESISTOR	1K	1	
28	RESISTOR	150	1	
29	RESISTOR	1K	1	
30	RESISTOR	150	1	
31	RESISTOR	1K	1	
32	RESISTOR	150	1	
33	RESISTOR	1K	1	
34	RESISTOR	150	1	
35	RESISTOR	1K	1	
36	RESISTOR	150	1	
37	RESISTOR	1K	1	
38	RESISTOR	150	1	
39	RESISTOR	1K	1	
40	RESISTOR	150	1	
41	RESISTOR	1K	1	
42	RESISTOR	150	1	
43	RESISTOR	1K	1	
44	RESISTOR	150	1	
45	RESISTOR	1K	1	
46	RESISTOR	150	1	
47	RESISTOR	1K	1	
48	RESISTOR	150	1	
49	RESISTOR	1K	1	
50	RESISTOR	150	1	
51	RESISTOR	1K	1	
52	RESISTOR	150	1	
53	RESISTOR	1K	1	
54	RESISTOR	150	1	
55	RESISTOR	1K	1	
56	RESISTOR	150	1	
57	RESISTOR	1K	1	
58	RESISTOR	150	1	
59	RESISTOR	1K	1	
60	RESISTOR	150	1	
61	RESISTOR	1K	1	
62	RESISTOR	150	1	
63	RESISTOR	1K	1	
64	RESISTOR	150	1	
65	RESISTOR	1K	1	
66	RESISTOR	150	1	
67	RESISTOR	1K	1	
68	RESISTOR	150	1	
69	RESISTOR	1K	1	
70	RESISTOR	150	1	
71	RESISTOR	1K	1	
72	RESISTOR	150	1	
73	RESISTOR	1K	1	
74	RESISTOR	150	1	
75	RESISTOR	1K	1	
76	RESISTOR	150	1	
77	RESISTOR	1K	1	
78	RESISTOR	150	1	
79	RESISTOR	1K	1	
80	RESISTOR	150	1	
81	RESISTOR	1K	1	
82	RESISTOR	150	1	
83	RESISTOR	1K	1	
84	RESISTOR	150	1	
85	RESISTOR	1K	1	
86	RESISTOR	150	1	
87	RESISTOR	1K	1	
88	RESISTOR	150	1	
89	RESISTOR	1K	1	
90	RESISTOR	150	1	
91	RESISTOR	1K	1	
92	RESISTOR	150	1	
93	RESISTOR	1K	1	
94	RESISTOR	150	1	
95	RESISTOR	1K	1	
96	RESISTOR	150	1	
97	RESISTOR	1K	1	
98	RESISTOR	150	1	
99	RESISTOR	1K	1	
100	RESISTOR	150	1	

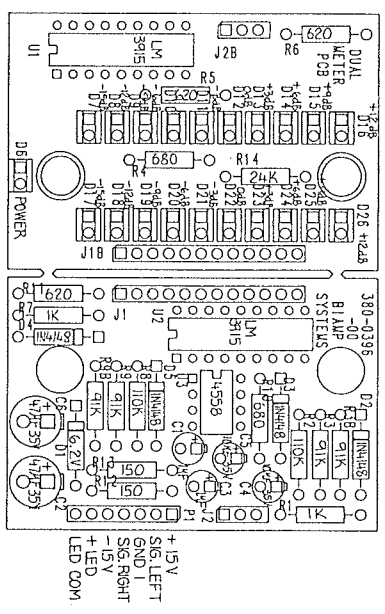
DESCRIPTION: DUAL METER PCB SCHEMATIC

DESIGNED BY	DATE	SCALE	SHEET NO.
CHECKED BY			
APPROVED BY			
BIAMP SYSTEMS			
DUAL METER PCB SCHEMATIC			
SCALE: NONE			
SHEET 1 OF 1			

This drawing is the property of BIAMP SYSTEMS, and may be returned, modified, or otherwise used without the written consent of BIAMP SYSTEMS. BIAMP SYSTEMS MAKES NO WARRANTY, EXPRESS OR IMPLIED, FOR THE MERCHANTABILITY OF THE INFORMATION CONTAINED HEREIN. THE INFORMATION CONTAINED HEREIN IS FOR INFORMATIONAL PURPOSES ONLY AND DOES NOT CONSTITUTE AN OFFER OF ANY FINANCIAL PRODUCT OR SERVICE.

BIAMP SYSTEMS
 14270 N.W. Science Park Drive
 Portland, Oregon 97229
 (503) 641-7287

380-0396-00
 DUAL METER PCB
 Sheet 1 of 5 : Silkscreen

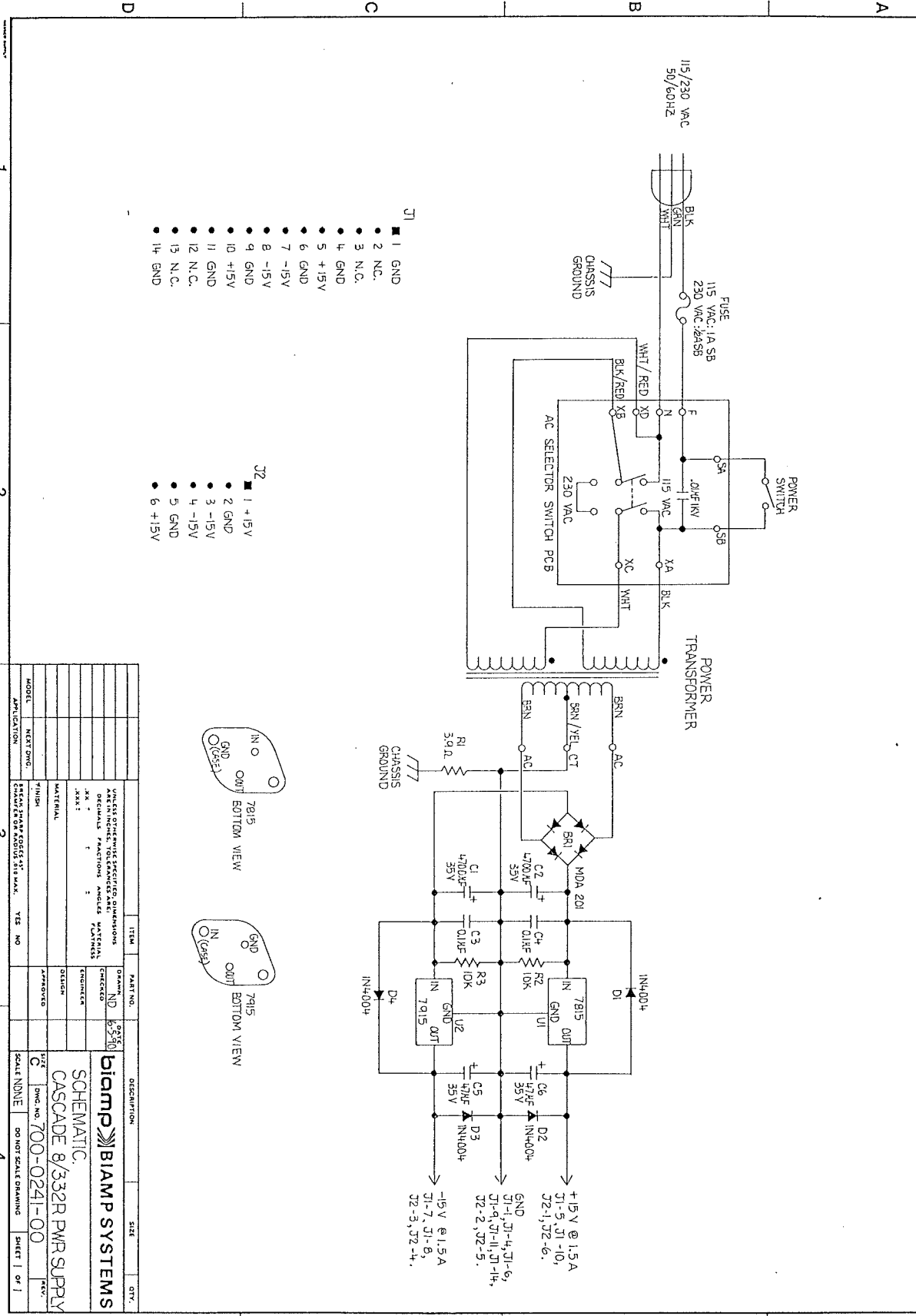


NOTE: REMOVE R33 AND R40 ON SOME MODELS.

ITEM	PART NO.	DESCRIPTION	SIZE	QTY.
BIAMP SYSTEMS DUAL METER PCB COMPONENT LAYOUT				
CHECK FOR APPROVED MATERIALS: YES NO CHECK FOR APPROVED FINISH: YES NO CHECK FOR APPROVED SCALE: YES NO				
SCALE 2/1 DO NOT SCALE DRAWING SHEET 1 OF 1				

1 2 3 4

THIS DRAWING IS THE PROPERTY OF BIAMP SYSTEMS, AND MUST BE RETURNED TO THE COMPANY UPON REQUEST. THE COMPANY ASSUMES NO LIABILITY FOR THE REPRODUCTION OR USE OF THIS DRAWING IN ANY MANNER WITHOUT THE WRITTEN PERMISSION OF BIAMP SYSTEMS. THE INFORMATION CONTAINED HEREIN IS UNCLASSIFIED.



- J1
- 1 GND
 - 2 N.C.
 - 3 N.C.
 - 4 GND
 - 5 +15V
 - 6 GND
 - 7 -15V
 - 8 -15V
 - 9 GND
 - 10 +15V
 - 11 GND
 - 12 N.C.
 - 13 N.C.
 - 14 GND
- J2
- 1 +15V
 - 2 GND
 - 3 -15V
 - 4 -15V
 - 5 GND
 - 6 +15V

ITEM	PART NO.	DESCRIPTION	SIZE	QTY.
1	ND	BIAMP SYSTEMS		
2	ND	SCHEMATIC		
3	ND	CASCADE 8/332R PWR SUPPLY		
4	ND	700-0241-00		

MODEL: _____
 NEXT DWG: _____
 APPLICATION: _____

1 2 3 4