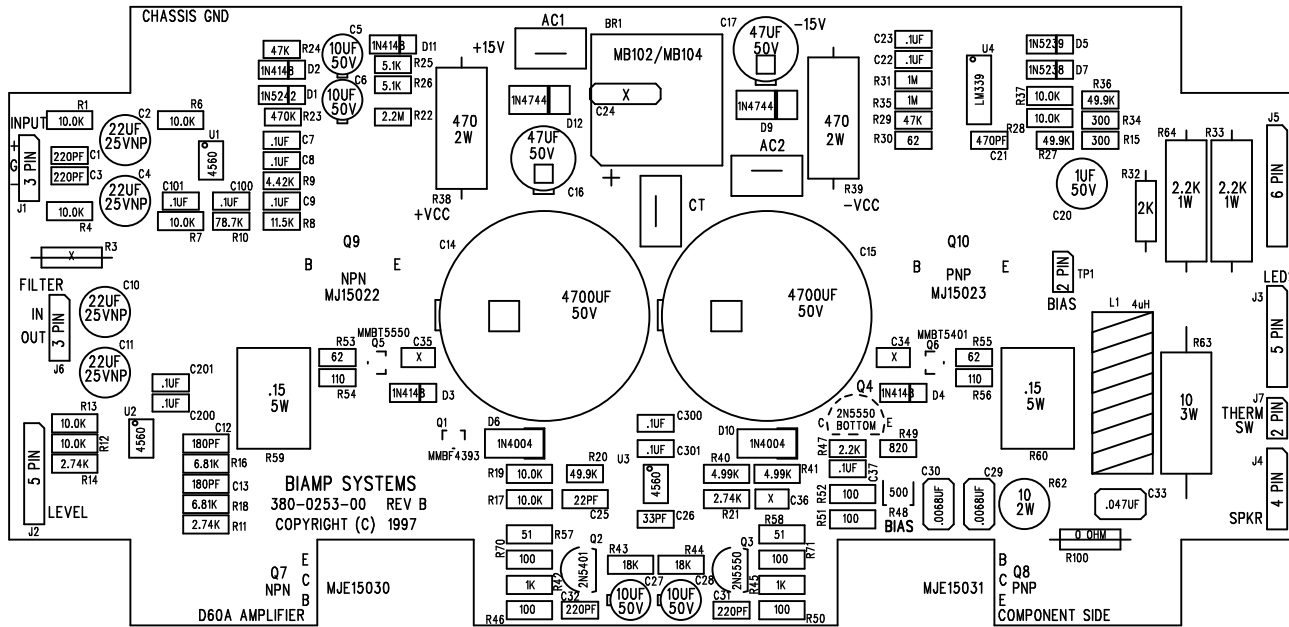


D60EQ
(Includes CPA130)

Schematic

Released September 16, 2004

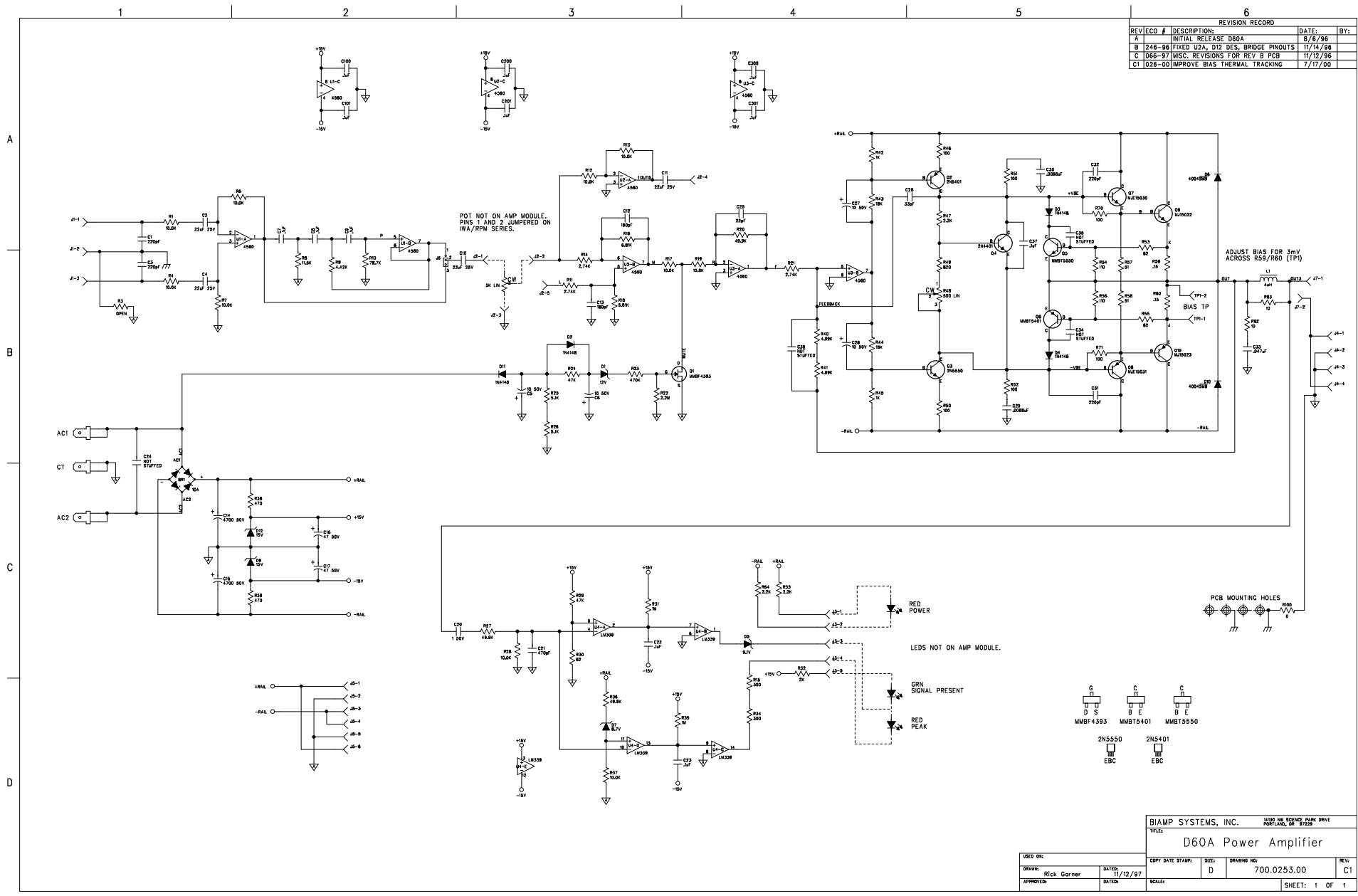


BIAMP SYSTEMS
 14130 N.W. Science Park Drive
 Portland, Oregon 97229
 (503) 641-7287

380-0253-00 REV B
 D60A AMPLIFIER PCB

Sheet 1 of 6 : Component I.D. Silkscreen

| REVISION RECORD | | | | |
|-----------------|--------|------------------------------------|----------|-----|
| REV | ECO # | DESCRIPTION | DATE | BY: |
| A | | INITIAL RELEASE D60A | 8/8/98 | |
| B | 246-96 | FIXED U2A, D12 DES, BRIDGE PINOUTS | 11/14/98 | |
| C | 068-97 | MISC. REVISIONS FOR REV B PCB | 11/12/98 | |
| C1 | 028-00 | IMPROVE BIAS THERMAL TRACKING | 7/17/00 | |



BIAMP SYSTEMS, INC. 1330 NW SCIENCE PARK DRIVE
PORTLAND, OR 97229

TITLE: D60A Power Amplifier

| | | | | | | | | | |
|-----------|-------------|------------------|----------|--------|---|-------------|-------------|------|----|
| USED ON: | | COPY DATE STAMP: | | SIZE: | D | DRAWING NO: | 700.0253.00 | REV: | C1 |
| DRAWING: | Rick Garner | DATE: | 11/12/97 | SCALE: | | | | | |
| APPROVED: | [] | | | | | | | | |

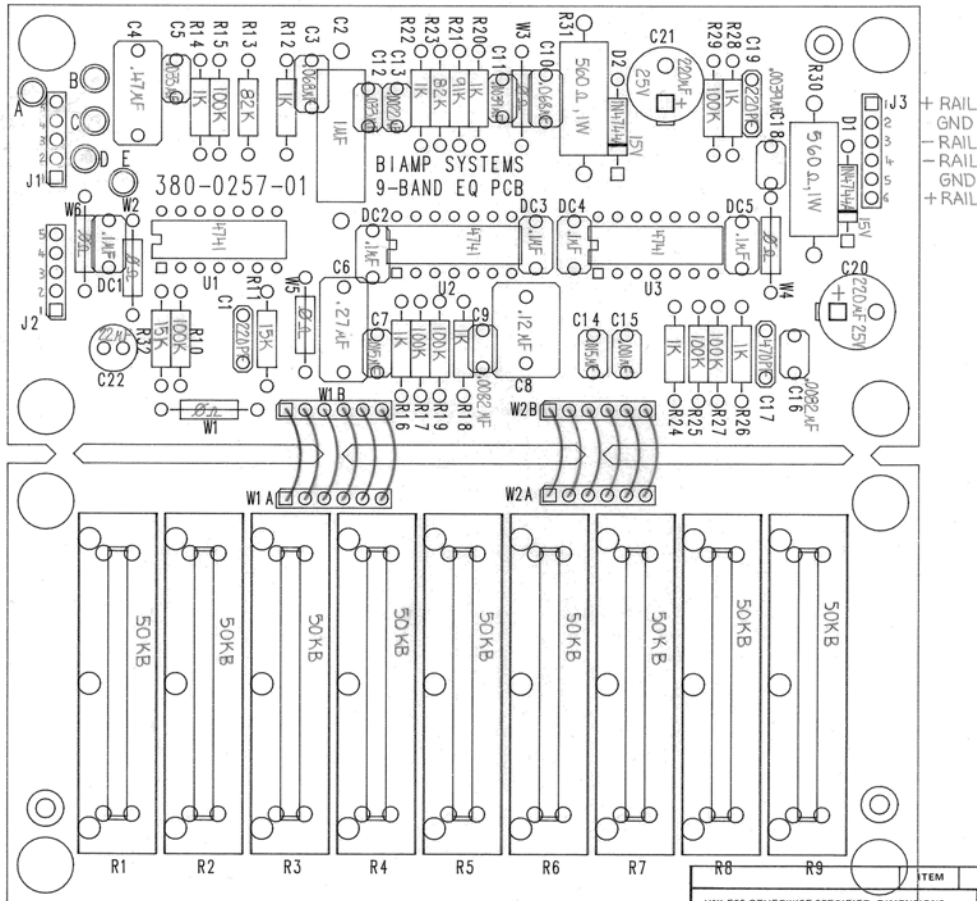
| | | | | |
|------|--------|--------|------|----|
| REV. | E.C.O. | CHANGE | DATE | BY |
|------|--------|--------|------|----|

THIS DRAWING IS THE PROPERTY OF BIAMP SYSTEMS, AND MUST BE RETURNED, WITHOUT DUPLICATING AT ANY TIME, ON REQUEST, WHILE IN THE POSSESSION OF THE RECIPIENT. IT MUST BE PROTECTED AGAINST DISCLOSURE TO ANYONE EXCEPT THOSE EMPLOYEES WHO REQUIRE IT FOR THE WORK ON JOB. THE RECIPIENT AND ITS EMPLOYEES MUST KEEP CONFIDENTIAL, AND NOT MAKE UNAUTHORIZED USE OF THE INFORMATION CONTAINED HEREON.

BIAMP SYSTEMS
9-BAND EQ PCB
380-0257-01

BIAMP SYSTEMS
14270 N.W. Science Park Drive
Portland, Oregon 97229
(503) 641-7287

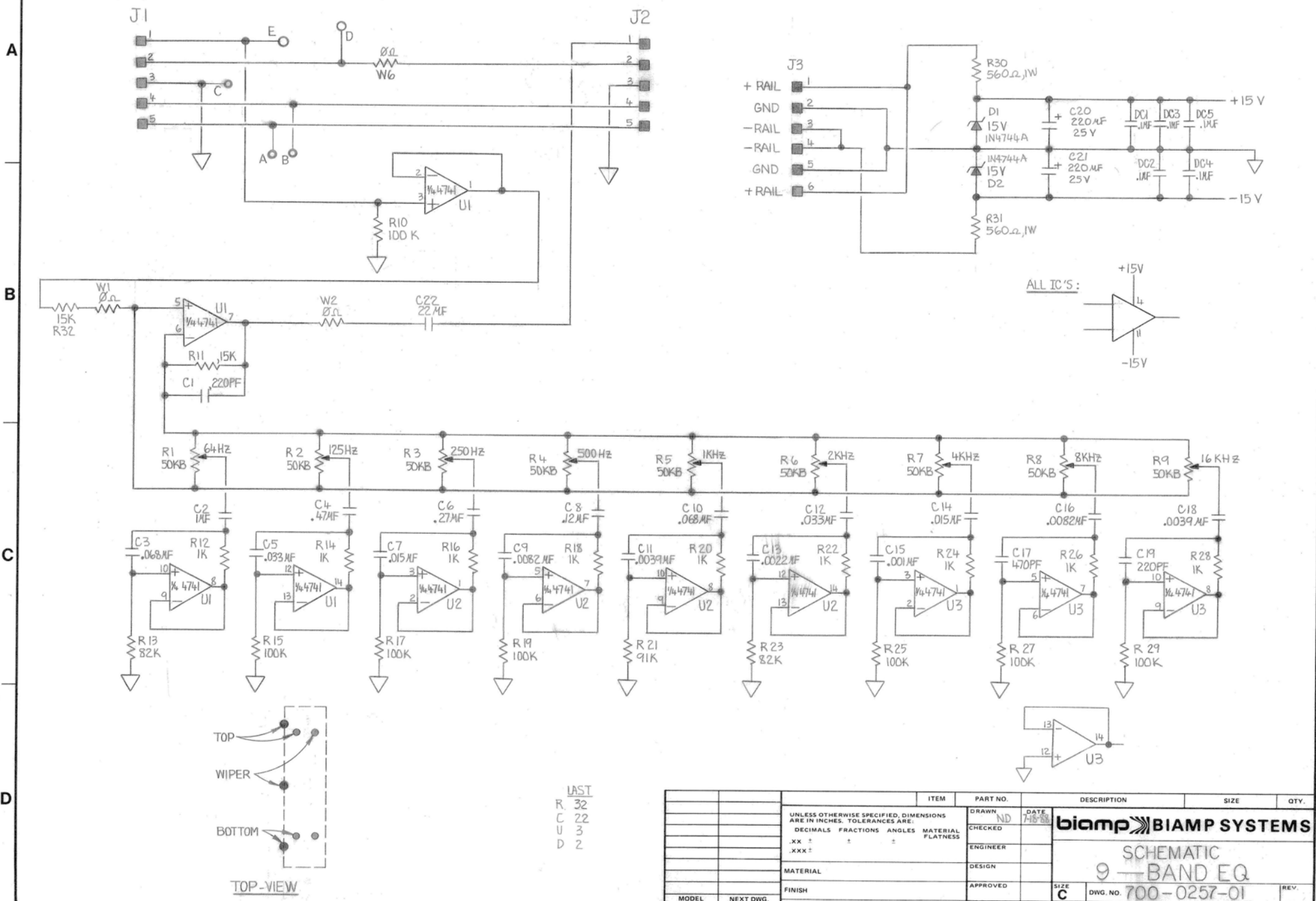
Sheet 1 of 4 : Silkscreen



| ITEM | PART NO. | DESCRIPTION | SIZE | QTY. |
|--|----------|----------------------------|----------------------|--------------|
| DRAWN ND | | DATE 6-26-91 | | |
| CHECKED | | biamp BIAMP SYSTEMS | | |
| ENGINEER | | | | |
| DESIGN | | COMPONENT LAYOUT | | |
| APPROVED | | 9-BAND EQ | | |
| MATERIAL | | SIZE C | DWG. NO. 701-0257-01 | REV. |
| FINISH | | SCALE 2X | DO NOT SCALE DRAWING | SHEET 1 OF 1 |
| BREAK SHARP EDGES 45° CHAMFER OR RADIUS .010 MAX. YES NO | | | | |

THIS DRAWING IS THE PROPERTY OF BIAMP SYSTEMS, AND MUST BE RETURNED, WITHOUT DUPLICATING AT ANY TIME, ON REQUEST, WHILE IN THE POSSESSION OF THE RECIPIENT. IT MUST BE PROTECTED AGAINST DISCLOSURE TO ANYONE EXCEPT THOSE EMPLOYEES WHO REQUIRE IT FOR THE WORK OR JOB. THE RECIPIENT AND ITS EMPLOYEES MUST KEEP CONFIDENTIAL, AND NOT MAKE UNAUTHORIZED USE OF THE INFORMATION CONTAINED HEREON.

| | | | | |
|------|--------|--------|------|----|
| REV. | E.C.O. | CHANGE | DATE | BY |
|------|--------|--------|------|----|



LAST
 R 32
 C 22
 U 3
 D 2

| ITEM | PART NO. | DESCRIPTION | SIZE | QTY. |
|---|-----------|-------------|----------|--|
| UNLESS OTHERWISE SPECIFIED, DIMENSIONS ARE IN INCHES. TOLERANCES ARE: DECIMALS FRACTIONS ANGLES MATERIAL FLATNESS .XX ± ± ± .XXX ± ± ± | | | | |
| MATERIAL | | DESIGN | APPROVED | |
| MODEL | NEXT DWG. | FINISH | | BREAK SHARP EDGES 45° CHAMFER OR RADIUS .010 MAX. YES NO |
| APPLICATION | | SCALE | | DO NOT SCALE DRAWING SHEET 1 OF 1 |

biamp BIAMP SYSTEMS
 SCHEMATIC
 9-BAND EQ
 DWG. NO. 700-0257-01
 REV.