

EQ-220/EQ-230/EQ-290 Graphics Equalizers

Schematic

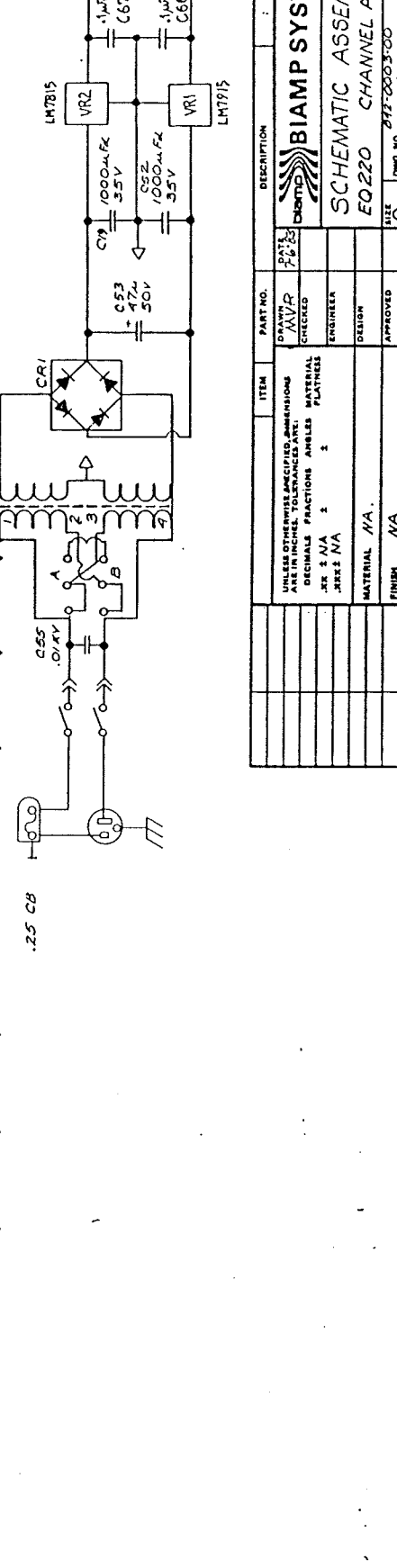
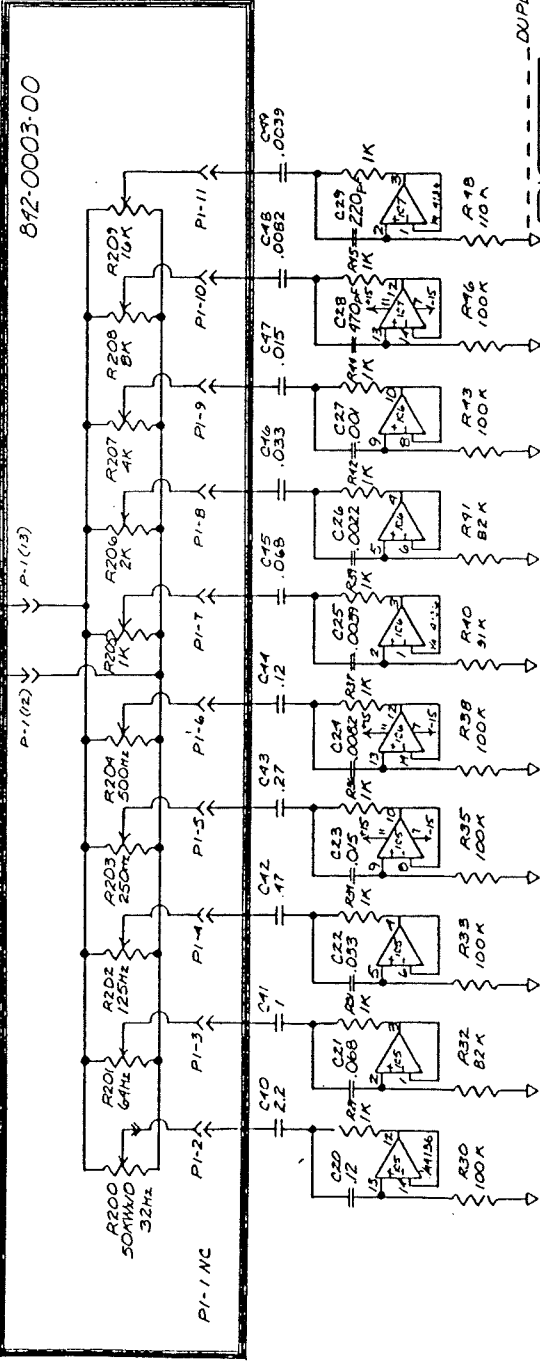
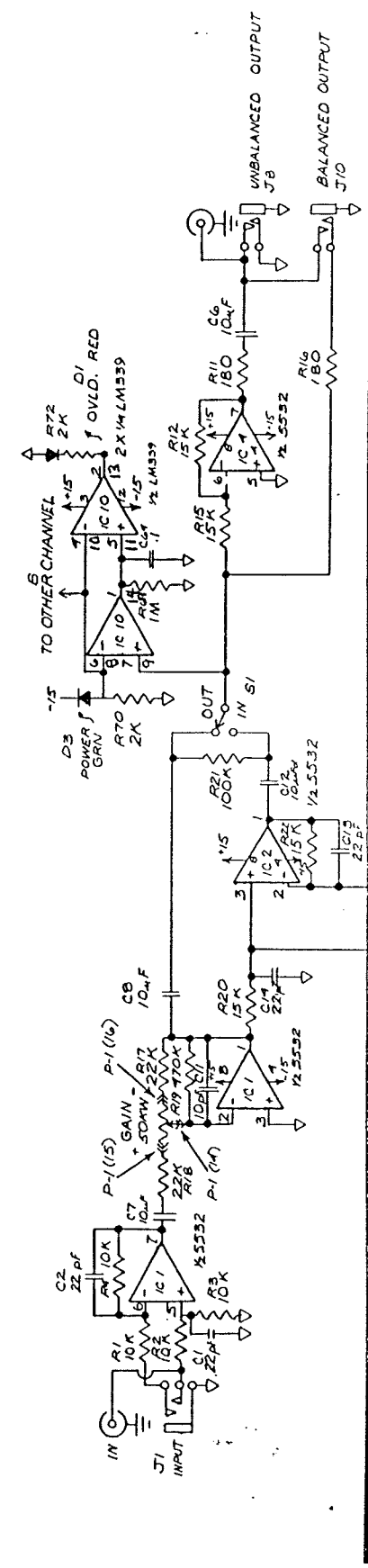
B I A M P[®]
—
S Y S T E M S

10074 SW Arctic Drive Beaverton, OR 97005 503-641-7287

REV.	DATE	BY
B	1/27/83	A75
C	9-16-83	DJM

CHANGES
 A75
 ADDED I/E C's
 ADDED REGULATORS

THIS DRAWING IS THE PROPERTY OF BIAMP SYSTEMS INC. AND MUST BE RETURNED TO THE COMPANY ON REQUEST. NO PART OF THIS DRAWING IS TO BE REPRODUCED OR TRANSMITTED IN ANY FORM OR BY ANY MEANS, ELECTRONIC OR MECHANICAL, INCLUDING PHOTOCOPYING, RECORDING, OR BY ANY INFORMATION STORAGE AND RETRIEVAL SYSTEM. THE INFORMATION CONTAINED HEREIN IS UNCLASSIFIED.

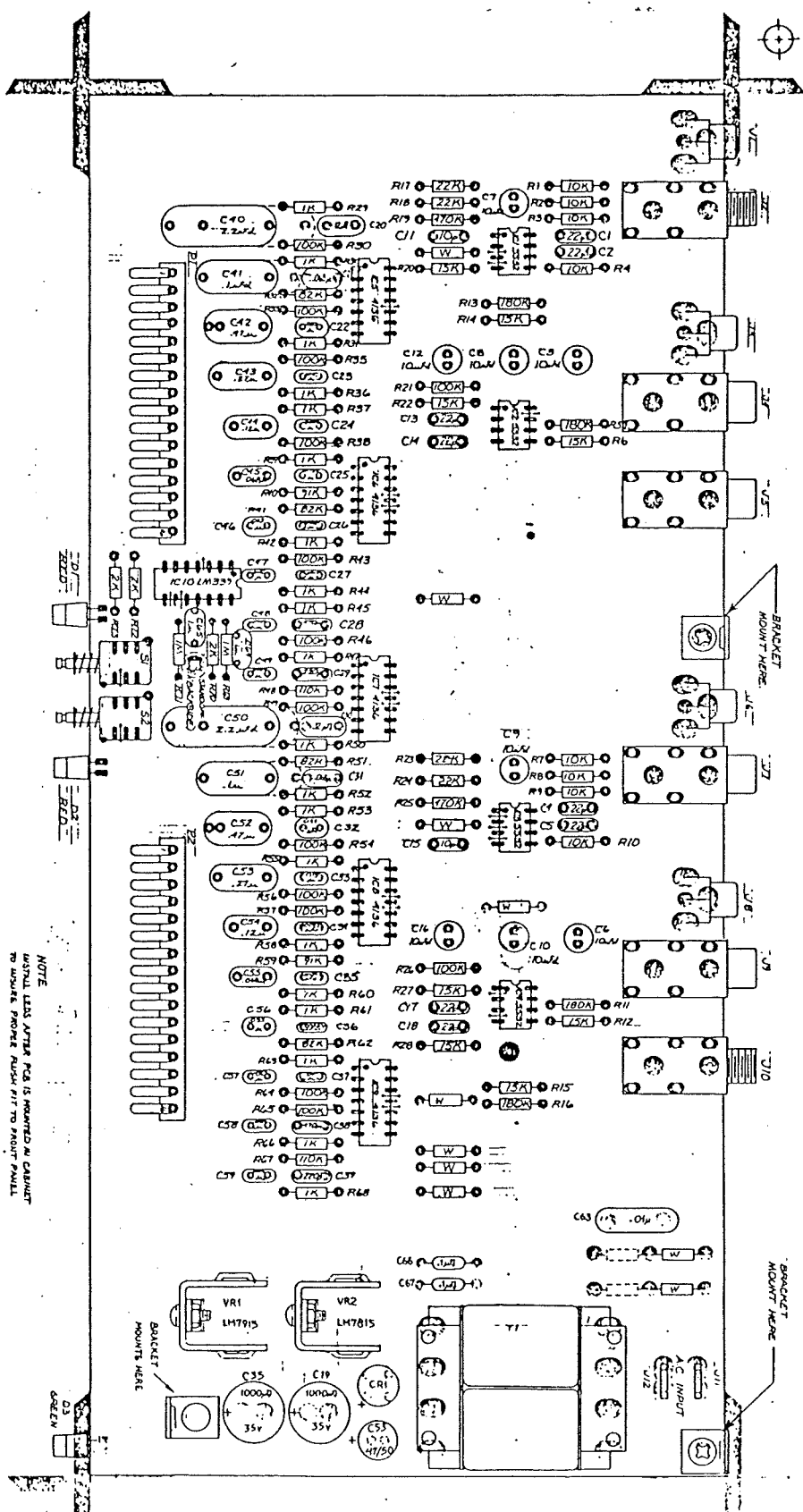


ITEM	PART NO.	DESCRIPTION	SIZE	QTY.
VR1	LM7815	REGULATOR	15V	1
VR2	LM7815	REGULATOR	15V	1
C53	47µF 50V	CAPACITOR	47µF 50V	1
C54	1000µF 35V	CAPACITOR	1000µF 35V	1
C55	1000µF 35V	CAPACITOR	1000µF 35V	1
C56	1000µF 35V	CAPACITOR	1000µF 35V	1
C57	1000µF 35V	CAPACITOR	1000µF 35V	1
C58	1000µF 35V	CAPACITOR	1000µF 35V	1
C59	1000µF 35V	CAPACITOR	1000µF 35V	1
C60	1000µF 35V	CAPACITOR	1000µF 35V	1
C61	1000µF 35V	CAPACITOR	1000µF 35V	1
C62	1000µF 35V	CAPACITOR	1000µF 35V	1
C63	1000µF 35V	CAPACITOR	1000µF 35V	1
C64	1000µF 35V	CAPACITOR	1000µF 35V	1
C65	1000µF 35V	CAPACITOR	1000µF 35V	1
C66	1000µF 35V	CAPACITOR	1000µF 35V	1
C67	1000µF 35V	CAPACITOR	1000µF 35V	1
C68	1000µF 35V	CAPACITOR	1000µF 35V	1
C69	1000µF 35V	CAPACITOR	1000µF 35V	1
C70	1000µF 35V	CAPACITOR	1000µF 35V	1
C71	1000µF 35V	CAPACITOR	1000µF 35V	1
C72	1000µF 35V	CAPACITOR	1000µF 35V	1
C73	1000µF 35V	CAPACITOR	1000µF 35V	1
C74	1000µF 35V	CAPACITOR	1000µF 35V	1
C75	1000µF 35V	CAPACITOR	1000µF 35V	1
C76	1000µF 35V	CAPACITOR	1000µF 35V	1
C77	1000µF 35V	CAPACITOR	1000µF 35V	1
C78	1000µF 35V	CAPACITOR	1000µF 35V	1
C79	1000µF 35V	CAPACITOR	1000µF 35V	1
C80	1000µF 35V	CAPACITOR	1000µF 35V	1
C81	1000µF 35V	CAPACITOR	1000µF 35V	1
C82	1000µF 35V	CAPACITOR	1000µF 35V	1
C83	1000µF 35V	CAPACITOR	1000µF 35V	1
C84	1000µF 35V	CAPACITOR	1000µF 35V	1
C85	1000µF 35V	CAPACITOR	1000µF 35V	1
C86	1000µF 35V	CAPACITOR	1000µF 35V	1
C87	1000µF 35V	CAPACITOR	1000µF 35V	1
C88	1000µF 35V	CAPACITOR	1000µF 35V	1
C89	1000µF 35V	CAPACITOR	1000µF 35V	1
C90	1000µF 35V	CAPACITOR	1000µF 35V	1
C91	1000µF 35V	CAPACITOR	1000µF 35V	1
C92	1000µF 35V	CAPACITOR	1000µF 35V	1
C93	1000µF 35V	CAPACITOR	1000µF 35V	1
C94	1000µF 35V	CAPACITOR	1000µF 35V	1
C95	1000µF 35V	CAPACITOR	1000µF 35V	1
C96	1000µF 35V	CAPACITOR	1000µF 35V	1
C97	1000µF 35V	CAPACITOR	1000µF 35V	1
C98	1000µF 35V	CAPACITOR	1000µF 35V	1
C99	1000µF 35V	CAPACITOR	1000µF 35V	1
C100	1000µF 35V	CAPACITOR	1000µF 35V	1

ITEM	DESCRIPTION	SIZE	QTY.
VR1	REGULATOR	15V	1
VR2	REGULATOR	15V	1
C53	CAPACITOR	47µF 50V	1
C54	CAPACITOR	1000µF 35V	1
C55	CAPACITOR	1000µF 35V	1
C56	CAPACITOR	1000µF 35V	1
C57	CAPACITOR	1000µF 35V	1
C58	CAPACITOR	1000µF 35V	1
C59	CAPACITOR	1000µF 35V	1
C60	CAPACITOR	1000µF 35V	1
C61	CAPACITOR	1000µF 35V	1
C62	CAPACITOR	1000µF 35V	1
C63	CAPACITOR	1000µF 35V	1
C64	CAPACITOR	1000µF 35V	1
C65	CAPACITOR	1000µF 35V	1
C66	CAPACITOR	1000µF 35V	1
C67	CAPACITOR	1000µF 35V	1
C68	CAPACITOR	1000µF 35V	1
C69	CAPACITOR	1000µF 35V	1
C70	CAPACITOR	1000µF 35V	1
C71	CAPACITOR	1000µF 35V	1
C72	CAPACITOR	1000µF 35V	1
C73	CAPACITOR	1000µF 35V	1
C74	CAPACITOR	1000µF 35V	1
C75	CAPACITOR	1000µF 35V	1
C76	CAPACITOR	1000µF 35V	1
C77	CAPACITOR	1000µF 35V	1
C78	CAPACITOR	1000µF 35V	1
C79	CAPACITOR	1000µF 35V	1
C80	CAPACITOR	1000µF 35V	1
C81	CAPACITOR	1000µF 35V	1
C82	CAPACITOR	1000µF 35V	1
C83	CAPACITOR	1000µF 35V	1
C84	CAPACITOR	1000µF 35V	1
C85	CAPACITOR	1000µF 35V	1
C86	CAPACITOR	1000µF 35V	1
C87	CAPACITOR	1000µF 35V	1
C88	CAPACITOR	1000µF 35V	1
C89	CAPACITOR	1000µF 35V	1
C90	CAPACITOR	1000µF 35V	1
C91	CAPACITOR	1000µF 35V	1
C92	CAPACITOR	1000µF 35V	1
C93	CAPACITOR	1000µF 35V	1
C94	CAPACITOR	1000µF 35V	1
C95	CAPACITOR	1000µF 35V	1
C96	CAPACITOR	1000µF 35V	1
C97	CAPACITOR	1000µF 35V	1
C98	CAPACITOR	1000µF 35V	1
C99	CAPACITOR	1000µF 35V	1
C100	CAPACITOR	1000µF 35V	1

BIAMP SYSTEMS INC.
 SCHEMATIC ASSEMBLY
 EQ220 CHANNEL A

THIS DRAWING FOR USE WITH:
 RB ANTILOCK 380-015-01 REV E
 MASK ART - REV 3
 P&B DRAWING 380-015-01 REV C
 SCHEMATIC 843-0002-00 RVC



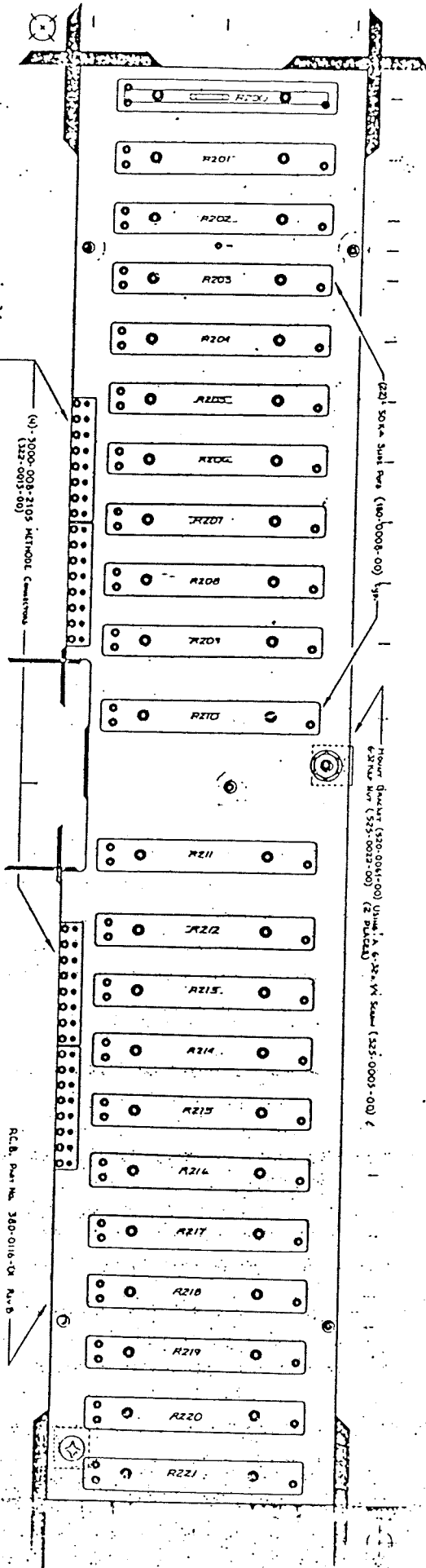
NOTE:
 INSTALL LEADS AFTER PCB IS MOUNTED IN CABINET
 TO AVOID PROBLETS PUSH FIT TO POINT SWELL

RESISTOR VALUE
 C 67

REV	DATE	BY	CHKD
A	1/28/83	JFK	JFK
B	2/1/83	JFK	JFK
C	2/1/83	JFK	JFK

THIS DRAWING FOR USE WITH:	RB ANTILOCK 380-015-01 REV E		
MASK ART	- REV 3		
P&B DRAWING	380-015-01 REV C		
SCHEMATIC	843-0002-00 RVC		
REV	DATE	BY	CHKD
A	1/28/83	JFK	JFK
B	2/1/83	JFK	JFK
C	2/1/83	JFK	JFK

A B C D E F G H



NOTE
 Remove Plastic Ties on Concrete
 Prior to Assembly on Upright Base

(U) - 3000-008-2105 METHODOL Connections

221' Soka Suit Pva (1610008-00)

Hourly Discharge (530-0051-00) Upright, 6-25-94 Series (325-0003-00) & 6-25-94 Rev (535-0032-00) (2 PLACES)

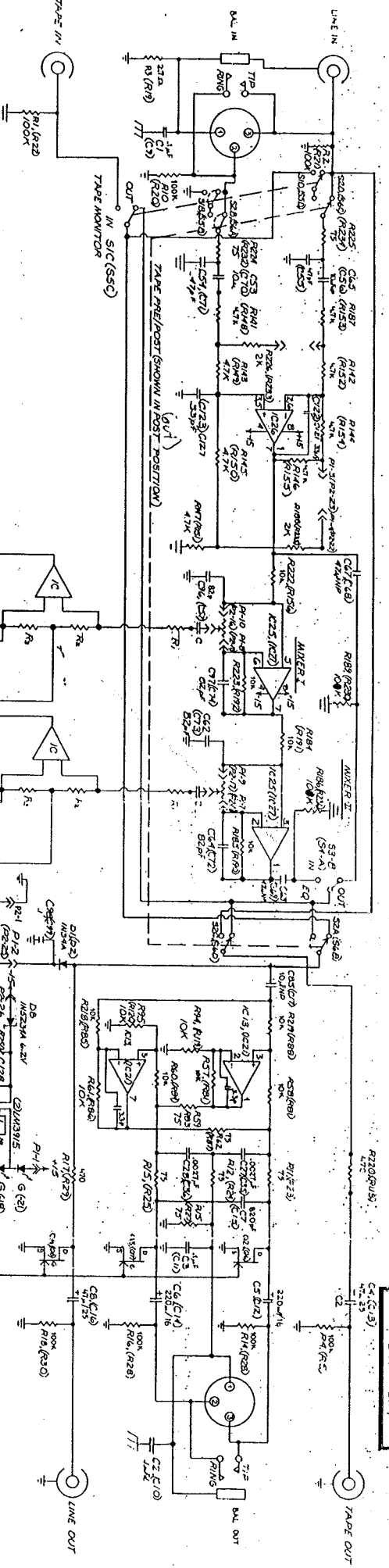
R.C.B. Part No. 300-0116-01 Rev B

THIS DRAWING FOR THE USE OF:	
R.S. ASTRONOM 300-0116-01 REV B	
DATE	LEVEL 1
R.S. DRAWING 300-0116-01 REV B	
PROJECT	
DATE	
BY	
CHECKED	
APPROVED	
BLAMP SYSTEMS EO-220 SLIDE DOOR PCB ASTRONOM & PARTS 575-0003-101	

575-0003-101

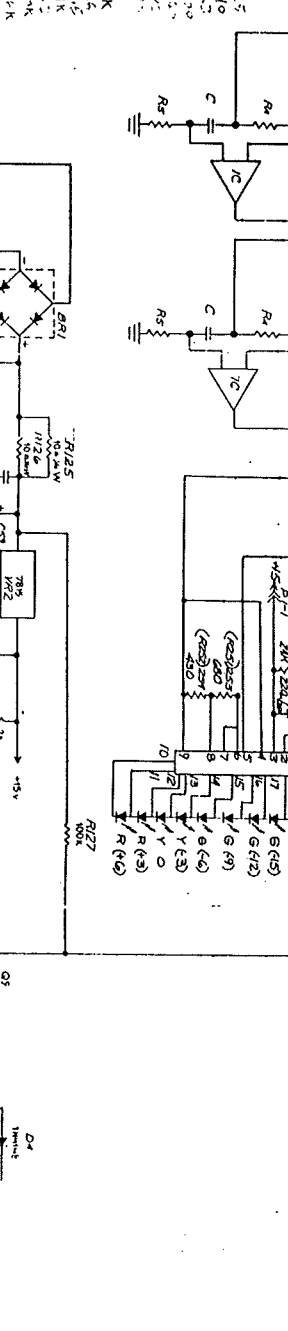
DESIGNATIONS IN () DENOTE CHANNEL 'B'

700-0076-00



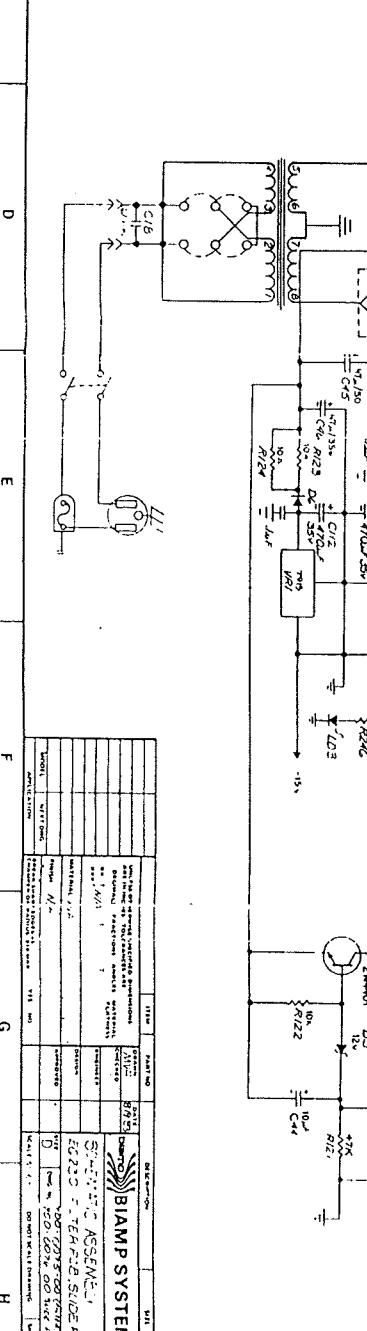
CHANNEL 'A'

RESISTOR	C	R1	R2	R3	R4	R5	R6	R7	R8	R9	R10	R11	R12	R13	R14	R15	R16	R17	R18	R19	R20
370K	10K	10K	10K	10K	10K	10K	10K	10K	10K	10K	10K	10K	10K	10K	10K	10K	10K	10K	10K	10K	10K



CHANNEL 'B'

RESISTOR	C	R1	R2	R3	R4	R5	R6	R7	R8	R9	R10	R11	R12	R13	R14	R15	R16	R17	R18	R19	R20
370K	10K	10K	10K	10K	10K	10K	10K	10K	10K	10K	10K	10K	10K	10K	10K	10K	10K	10K	10K	10K	10K



BIAMP SYSTEMS INC.

1000 W. 10th Street, Suite 100, Phoenix, AZ 85001

Phone: (602) 944-1111

Fax: (602) 944-1112

Website: www.biamp.com

Model: 700-0076-00

Rev: 1.0

DATE: 10/15/99

DESIGNED BY: M. J. ...

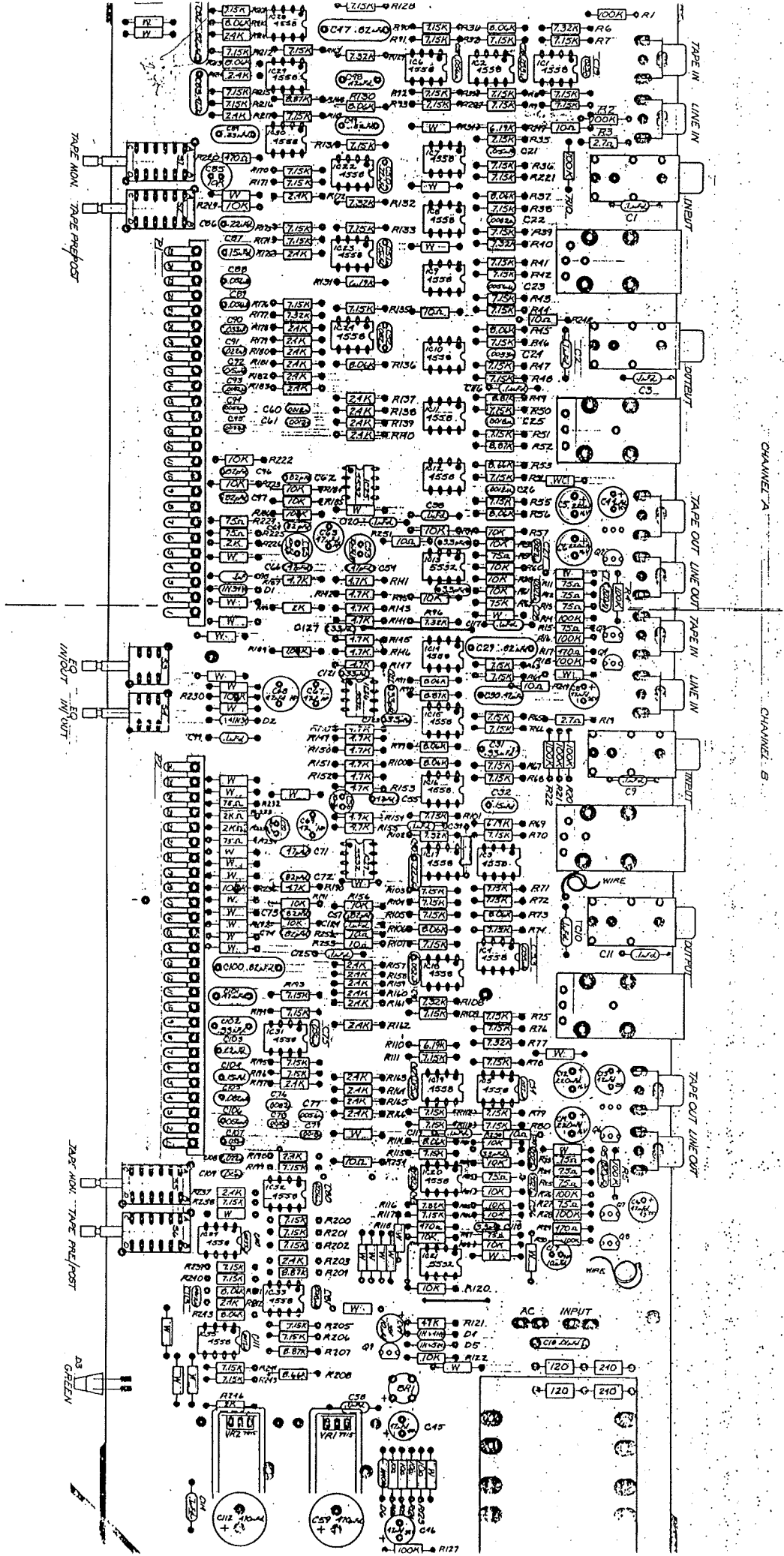
CHECKED BY: ...

APPROVED BY: ...

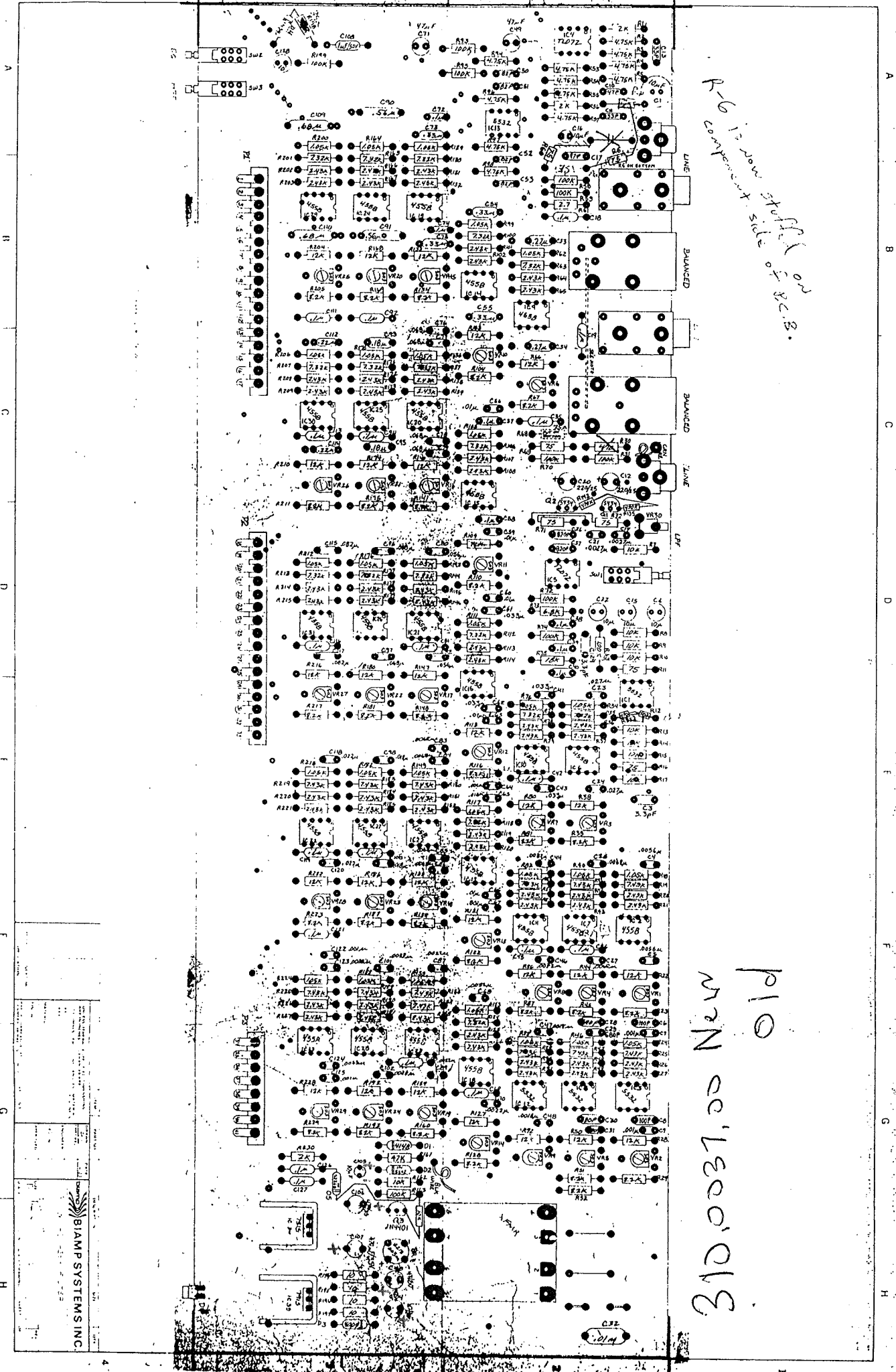
DATE: 10/15/99

THIS DRAWING FOR USE WITH:
 T-9 ASSEMBLY
 MAGNETIC HEAD UNIT
 MAGNETIC HEAD UNIT
 MAGNETIC HEAD UNIT
 MAGNETIC HEAD UNIT
 MAGNETIC HEAD UNIT

104130
 BIANP SYSTEMS
 COMPONENT ASSY
 EC 230 FILTER PCB
 94'S 0002-00
 2 1



104130-03 PRODUCTION RELEASE

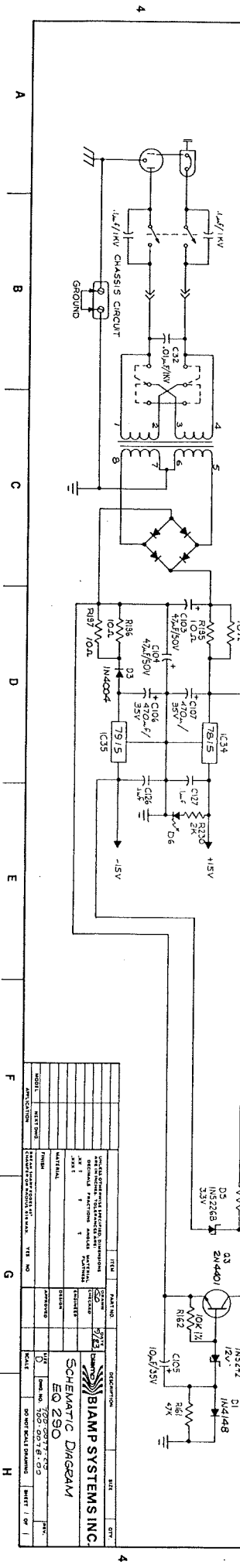
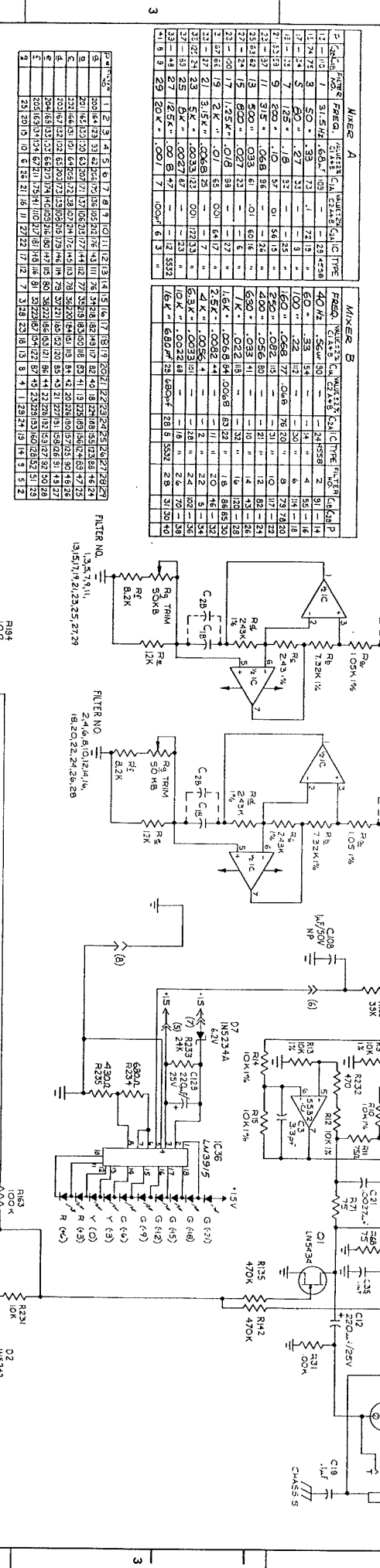
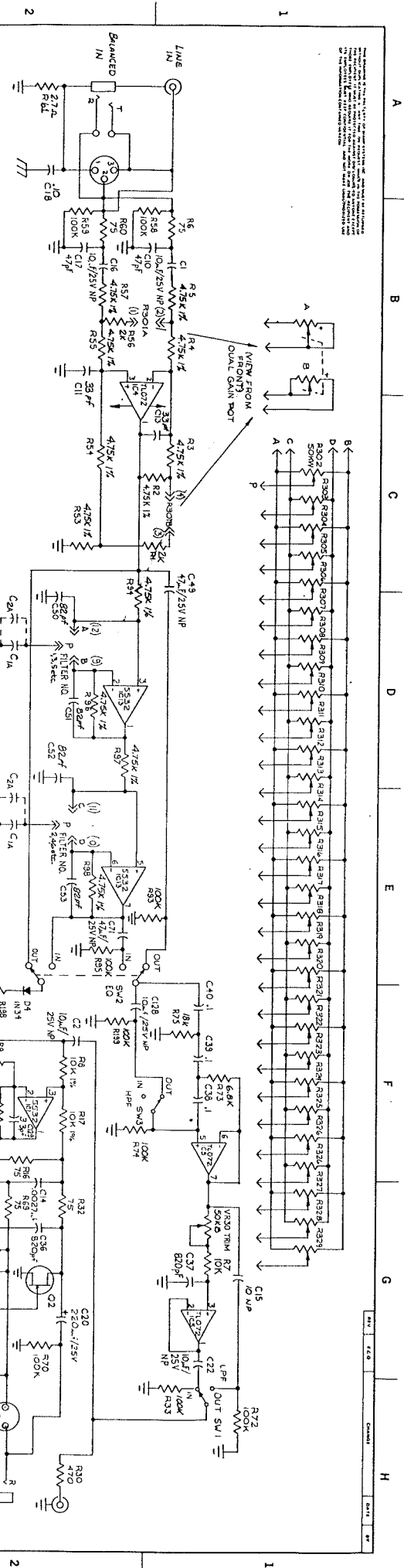


R-6 is new stuff on component side of R-6.B.

310,0037,00 New old P10

Blamp Systems Inc.

REVISIONS: 1 - ORIGINAL DESIGN
2 - REVISED DESIGN
3 - REVISED DESIGN
4 - REVISED DESIGN
5 - REVISED DESIGN
6 - REVISED DESIGN
7 - REVISED DESIGN
8 - REVISED DESIGN
9 - REVISED DESIGN
10 - REVISED DESIGN
11 - REVISED DESIGN
12 - REVISED DESIGN
13 - REVISED DESIGN
14 - REVISED DESIGN
15 - REVISED DESIGN
16 - REVISED DESIGN
17 - REVISED DESIGN
18 - REVISED DESIGN
19 - REVISED DESIGN
20 - REVISED DESIGN
21 - REVISED DESIGN
22 - REVISED DESIGN
23 - REVISED DESIGN
24 - REVISED DESIGN
25 - REVISED DESIGN
26 - REVISED DESIGN
27 - REVISED DESIGN
28 - REVISED DESIGN
29 - REVISED DESIGN
30 - REVISED DESIGN
31 - REVISED DESIGN
32 - REVISED DESIGN
33 - REVISED DESIGN
34 - REVISED DESIGN
35 - REVISED DESIGN
36 - REVISED DESIGN
37 - REVISED DESIGN
38 - REVISED DESIGN
39 - REVISED DESIGN
40 - REVISED DESIGN
41 - REVISED DESIGN
42 - REVISED DESIGN
43 - REVISED DESIGN
44 - REVISED DESIGN
45 - REVISED DESIGN
46 - REVISED DESIGN
47 - REVISED DESIGN
48 - REVISED DESIGN
49 - REVISED DESIGN
50 - REVISED DESIGN
51 - REVISED DESIGN
52 - REVISED DESIGN
53 - REVISED DESIGN
54 - REVISED DESIGN
55 - REVISED DESIGN
56 - REVISED DESIGN
57 - REVISED DESIGN
58 - REVISED DESIGN
59 - REVISED DESIGN
60 - REVISED DESIGN
61 - REVISED DESIGN
62 - REVISED DESIGN
63 - REVISED DESIGN
64 - REVISED DESIGN
65 - REVISED DESIGN
66 - REVISED DESIGN
67 - REVISED DESIGN
68 - REVISED DESIGN
69 - REVISED DESIGN
70 - REVISED DESIGN
71 - REVISED DESIGN
72 - REVISED DESIGN
73 - REVISED DESIGN
74 - REVISED DESIGN
75 - REVISED DESIGN
76 - REVISED DESIGN
77 - REVISED DESIGN
78 - REVISED DESIGN
79 - REVISED DESIGN
80 - REVISED DESIGN
81 - REVISED DESIGN
82 - REVISED DESIGN
83 - REVISED DESIGN
84 - REVISED DESIGN
85 - REVISED DESIGN
86 - REVISED DESIGN
87 - REVISED DESIGN
88 - REVISED DESIGN
89 - REVISED DESIGN
90 - REVISED DESIGN
91 - REVISED DESIGN
92 - REVISED DESIGN
93 - REVISED DESIGN
94 - REVISED DESIGN
95 - REVISED DESIGN
96 - REVISED DESIGN
97 - REVISED DESIGN
98 - REVISED DESIGN
99 - REVISED DESIGN
100 - REVISED DESIGN



COMPONENT	VALUE	DESCRIPTION
Q1	2N4401	AMPLIFIER
Q2	IN5228B	DIODE
Q3	IN4148	DIODE
Q4	IN4148	DIODE
Q5	IN4148	DIODE
Q6	IN4148	DIODE
Q7	IN4148	DIODE
Q8	IN4148	DIODE
Q9	IN4148	DIODE
Q10	IN4148	DIODE
Q11	IN4148	DIODE
Q12	IN4148	DIODE
Q13	IN4148	DIODE
Q14	IN4148	DIODE
Q15	IN4148	DIODE
Q16	IN4148	DIODE
Q17	IN4148	DIODE
Q18	IN4148	DIODE
Q19	IN4148	DIODE
Q20	IN4148	DIODE
Q21	IN4148	DIODE
Q22	IN4148	DIODE
Q23	IN4148	DIODE
Q24	IN4148	DIODE
Q25	IN4148	DIODE
Q26	IN4148	DIODE
Q27	IN4148	DIODE
Q28	IN4148	DIODE
Q29	IN4148	DIODE
Q30	IN4148	DIODE
Q31	IN4148	DIODE
Q32	IN4148	DIODE
Q33	IN4148	DIODE
Q34	IN4148	DIODE
Q35	IN4148	DIODE
Q36	IN4148	DIODE
Q37	IN4148	DIODE
Q38	IN4148	DIODE
Q39	IN4148	DIODE
Q40	IN4148	DIODE
Q41	IN4148	DIODE
Q42	IN4148	DIODE
Q43	IN4148	DIODE
Q44	IN4148	DIODE
Q45	IN4148	DIODE
Q46	IN4148	DIODE
Q47	IN4148	DIODE
Q48	IN4148	DIODE
Q49	IN4148	DIODE
Q50	IN4148	DIODE
Q51	IN4148	DIODE
Q52	IN4148	DIODE
Q53	IN4148	DIODE
Q54	IN4148	DIODE
Q55	IN4148	DIODE
Q56	IN4148	DIODE
Q57	IN4148	DIODE
Q58	IN4148	DIODE
Q59	IN4148	DIODE
Q60	IN4148	DIODE
Q61	IN4148	DIODE
Q62	IN4148	DIODE
Q63	IN4148	DIODE
Q64	IN4148	DIODE
Q65	IN4148	DIODE
Q66	IN4148	DIODE
Q67	IN4148	DIODE
Q68	IN4148	DIODE
Q69	IN4148	DIODE
Q70	IN4148	DIODE
Q71	IN4148	DIODE
Q72	IN4148	DIODE
Q73	IN4148	DIODE
Q74	IN4148	DIODE
Q75	IN4148	DIODE
Q76	IN4148	DIODE
Q77	IN4148	DIODE
Q78	IN4148	DIODE
Q79	IN4148	DIODE
Q80	IN4148	DIODE
Q81	IN4148	DIODE
Q82	IN4148	DIODE
Q83	IN4148	DIODE
Q84	IN4148	DIODE
Q85	IN4148	DIODE
Q86	IN4148	DIODE
Q87	IN4148	DIODE
Q88	IN4148	DIODE
Q89	IN4148	DIODE
Q90	IN4148	DIODE
Q91	IN4148	DIODE
Q92	IN4148	DIODE
Q93	IN4148	DIODE
Q94	IN4148	DIODE
Q95	IN4148	DIODE
Q96	IN4148	DIODE
Q97	IN4148	DIODE
Q98	IN4148	DIODE
Q99	IN4148	DIODE
Q100	IN4148	DIODE

SCHEMATIC DIAGRAM
EQ 250
REV. NO. 100-007-B-02
DATE 10-1-70
BY J. H. WILSON
CHECKED BY J. H. WILSON
APPROVED BY J. H. WILSON
MFG. NO. 100-007-B-02
REV. NO. 100-007-B-02
DATE 10-1-70
BY J. H. WILSON
CHECKED BY J. H. WILSON
APPROVED BY J. H. WILSON