

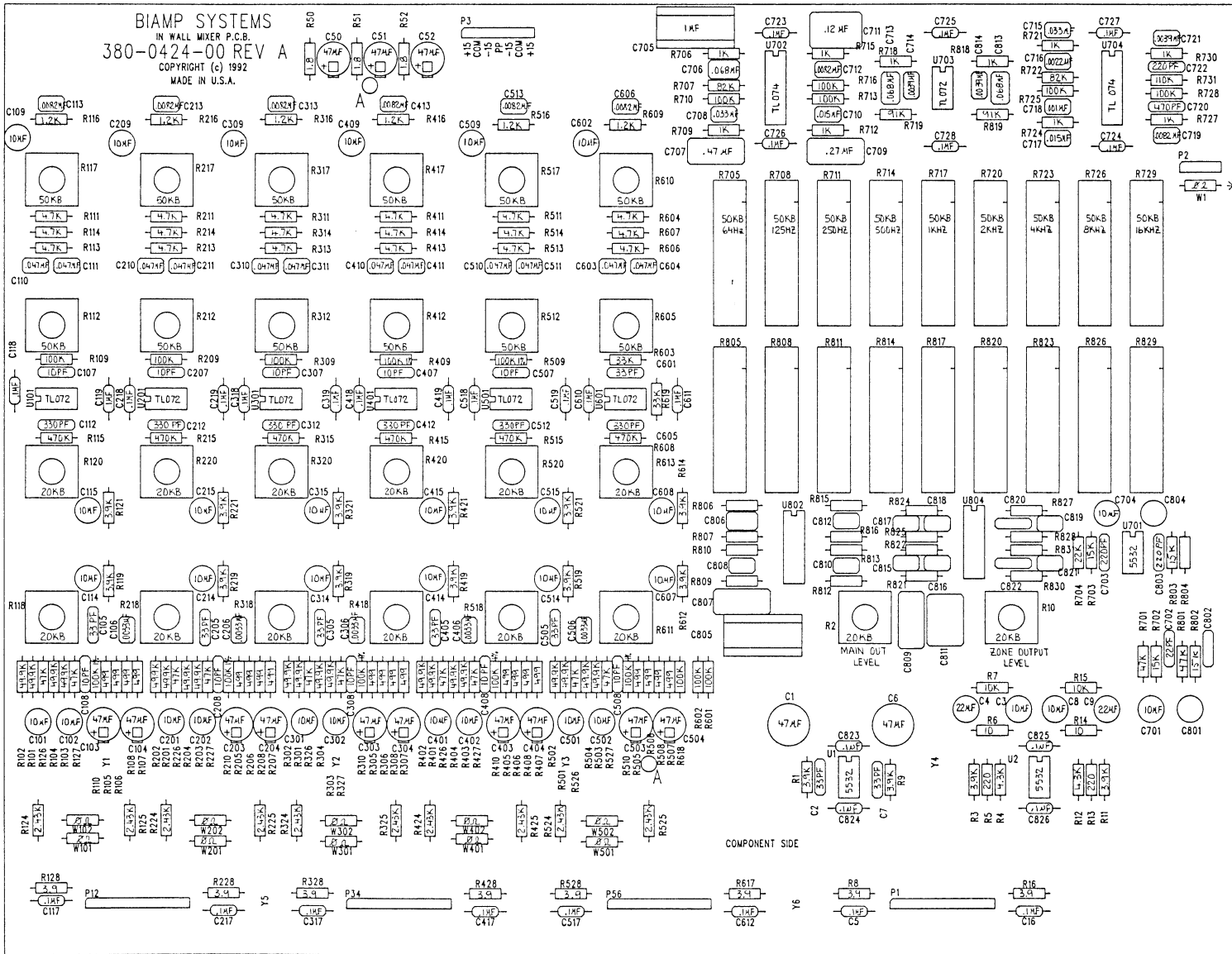
**IWA Series**

**Schematic**

Released July 16, 2002

THIS DRAWING IS THE PROPERTY OF BIAMP SYSTEMS, INC. AND MUST BE RETURNED TO THE COMPANY IMMEDIATELY UPON COMPLETION OF THE PROJECT. IT MUST BE PROTECTED AGAINST DISSEMINATION TO ANYONE EXCEPT THOSE EMPLOYEES WHO REQUIRE IT FOR THE WORK. FOR THE PROTECTED AND UNCLASSIFIED PORTION OF THIS DRAWING, CONTACT THE COMPANY FOR THE INFORMATION CONTAINED HEREIN.

BIAMP SYSTEMS  
IN WALL MIXER P.C.B.  
380-0424-00 REV A  
COPYRIGHT (c) 1992  
MADE IN U.S.A.

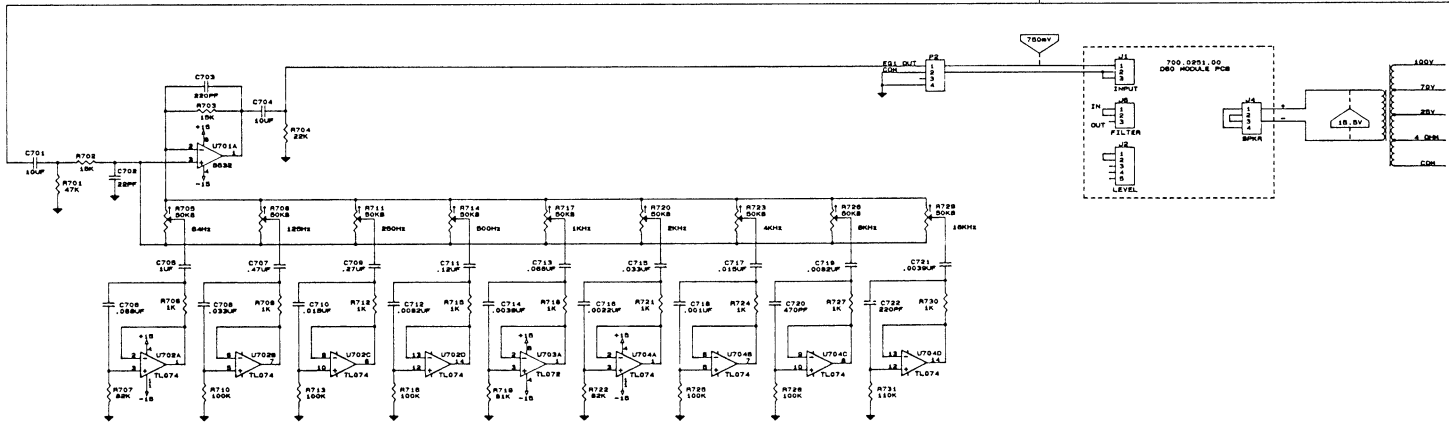
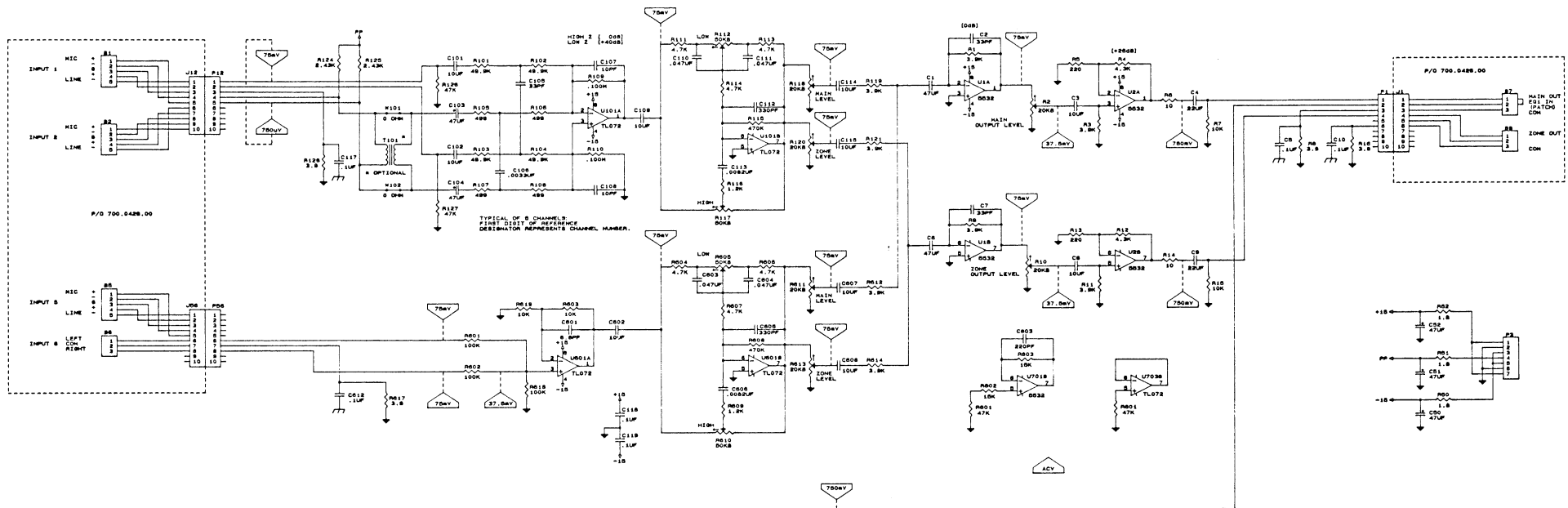


\* INSTALL WI ON IWA 6/120 ONLY

BIAMP SYSTEMS  
14270 N.W. Science Park Drive  
Portland, Oregon 97229  
(503) 641-7287

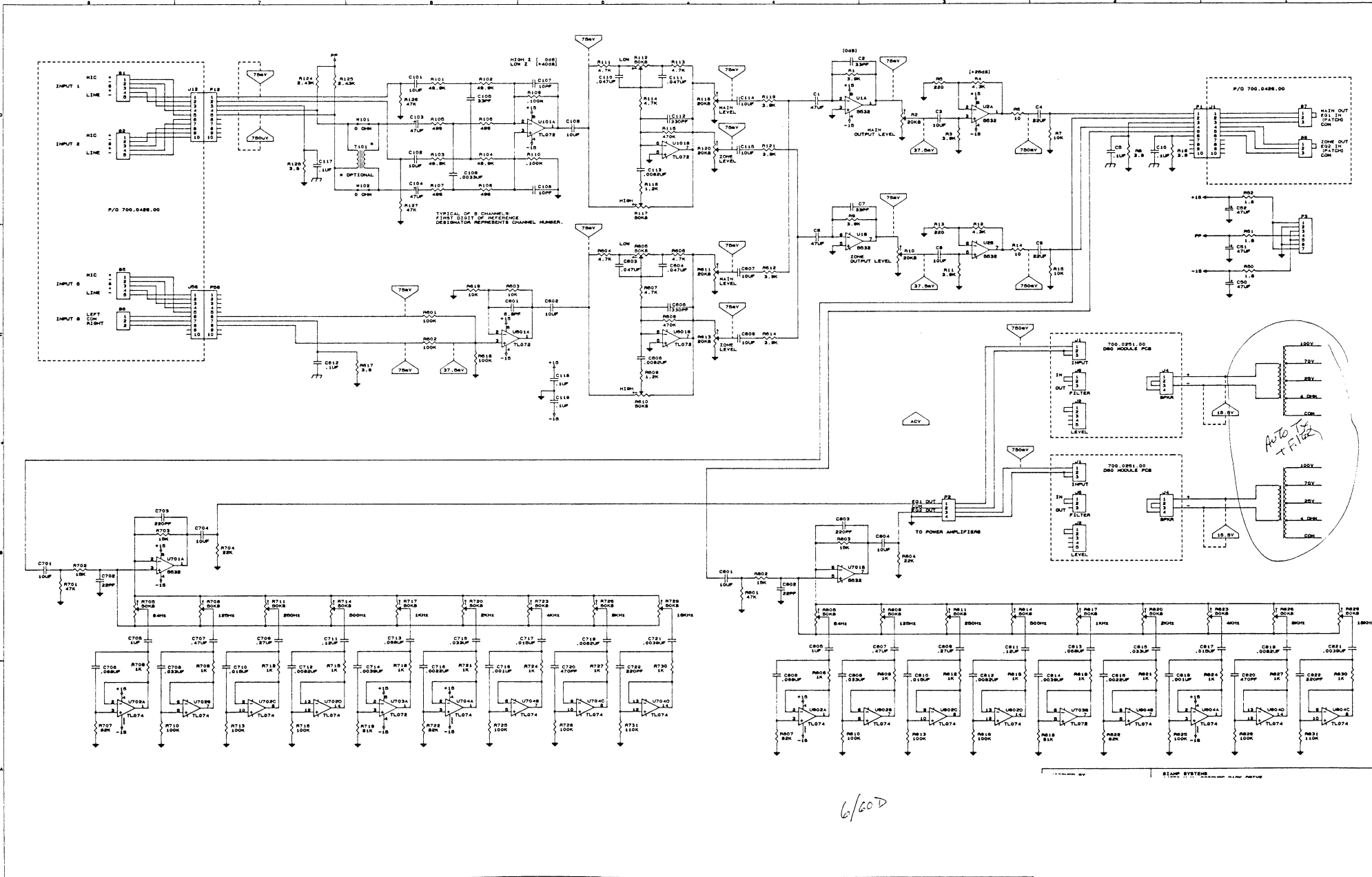
380-0424-00 REV A

UNLESS OTHERWISE SPECIFIED, DIMENSIONS SHALL BE IN MILLIMETERS (IN PARENTHESES) UNLESS OTHERWISE SPECIFIED.	DATE	BY
DRAWN	ND	6/23/92
CHECKED	ND	6/23/92
DESIGNED	ND	6/23/92
APPROVED	ND	6/23/92
FINISH	ND	6/23/92
SCALE	2/1	DO NOT SCALE DRAWING
BIAMP SYSTEMS, INC. 14270 N.W. SCIENCE PARK DRIVE PORTLAND, OR 97229		
IWA 6/60-6/120		
COMPONENT LAYOUT		
DWS NO 701-0424-00		
SHEET 1 OF 1		

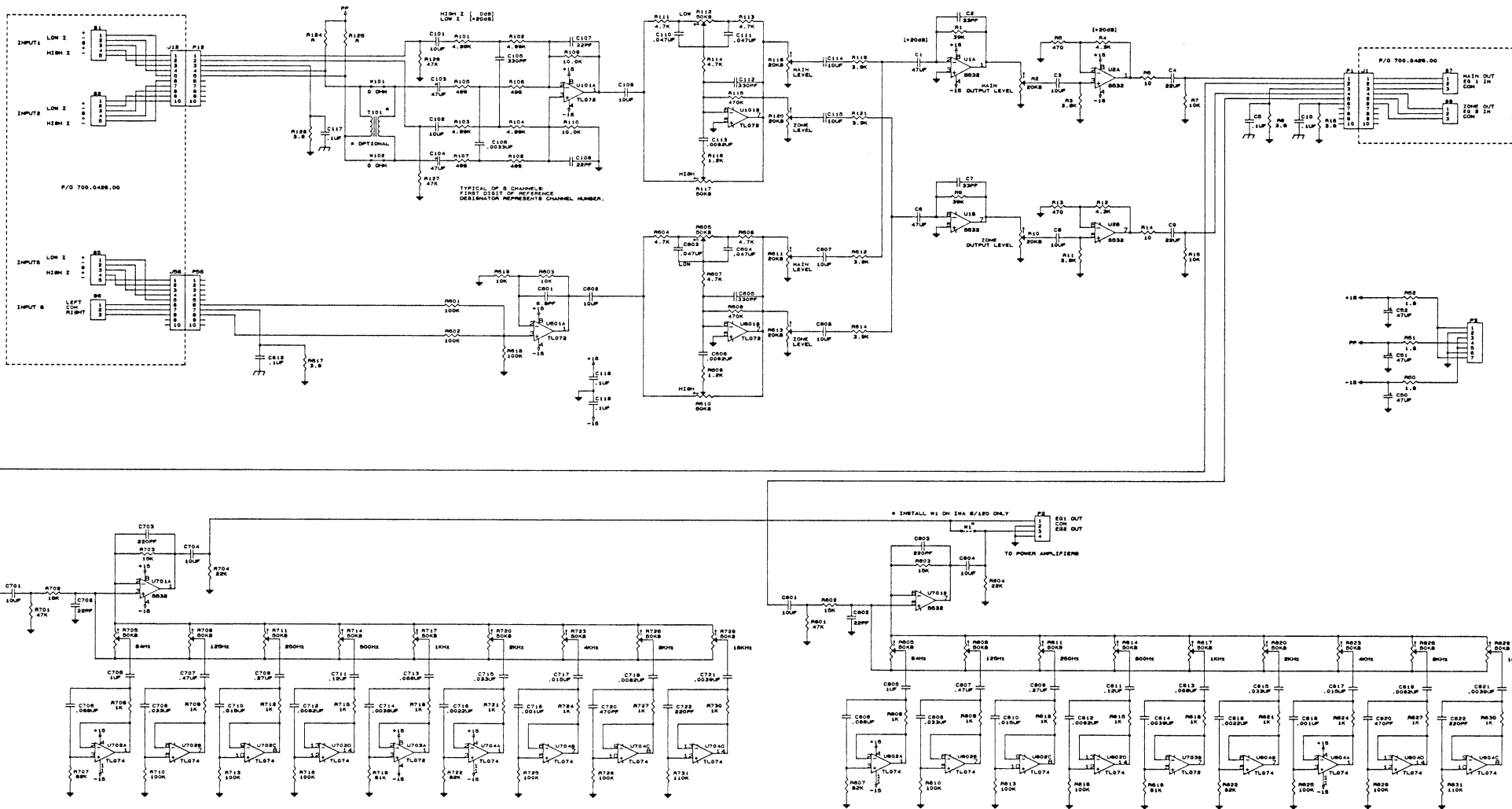


DESIGNED BY: [Redacted]  
SIAM SYSTEMS  
14870 N.W. [Redacted] MIAMI, FLORIDA

6/60

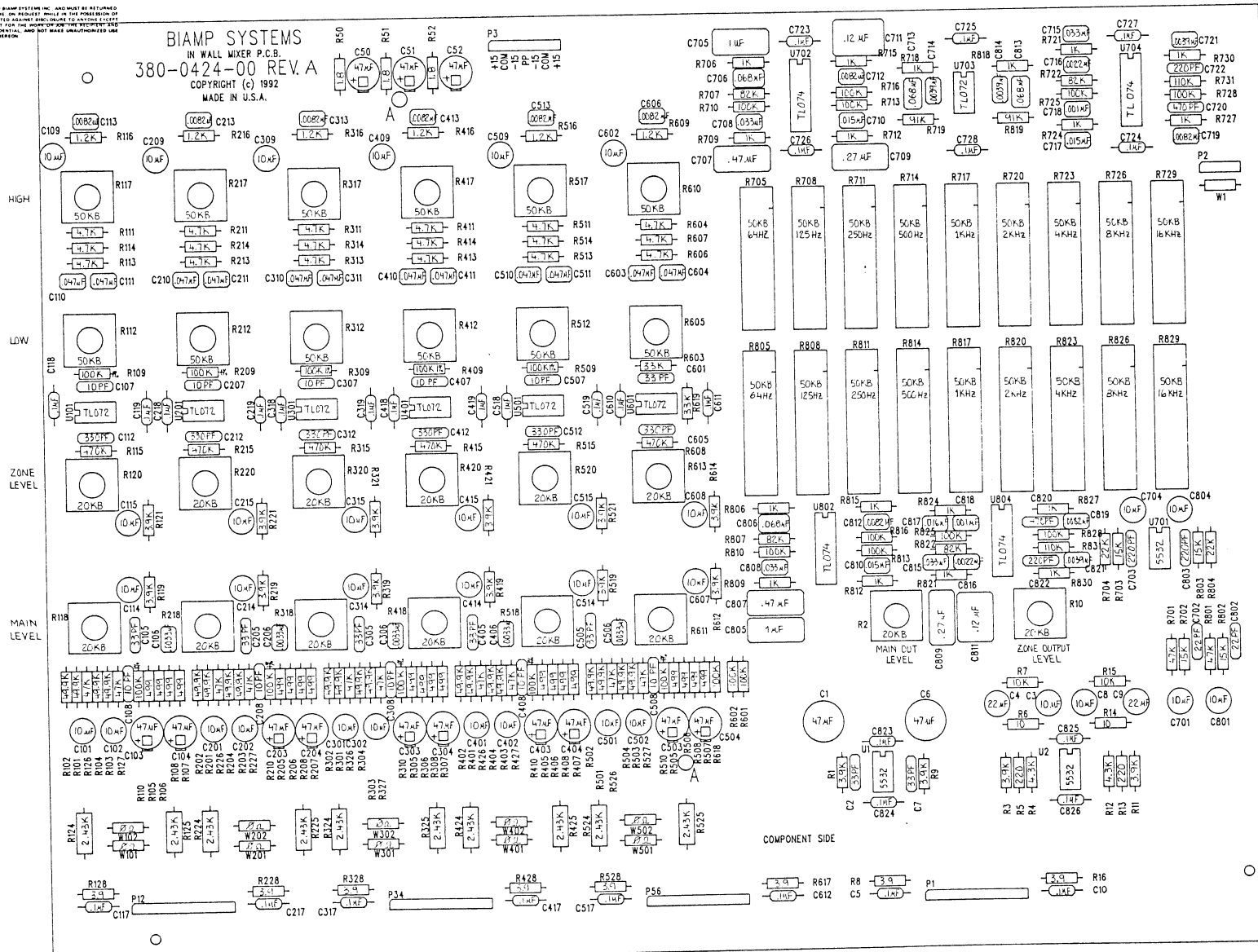


THIS DRAWING IS THE PROPERTY OF BIAMP SYSTEMS, INC. AND MUST BE RETURNED WITHOUT DUPLICATION AT ANY TIME ON REQUEST. NONE OF THE INFORMATION ON THIS RECORD IS TO BE REPRODUCED OR TRANSMITTED IN ANY FORM OR BY ANY MEANS, ELECTRONIC OR MECHANICAL, INCLUDING PHOTOCOPYING, RECORDING, OR BY ANY INFORMATION STORAGE AND RETRIEVAL SYSTEM. THIS DRAWING IS FOR THE RECEPTION AND ITS EMPLOYMENT MUST BE IN CONFORMANCE WITH AND NOT BE UNAUTHORIZED USE OF THE INFORMATION CONTAINED HEREIN.



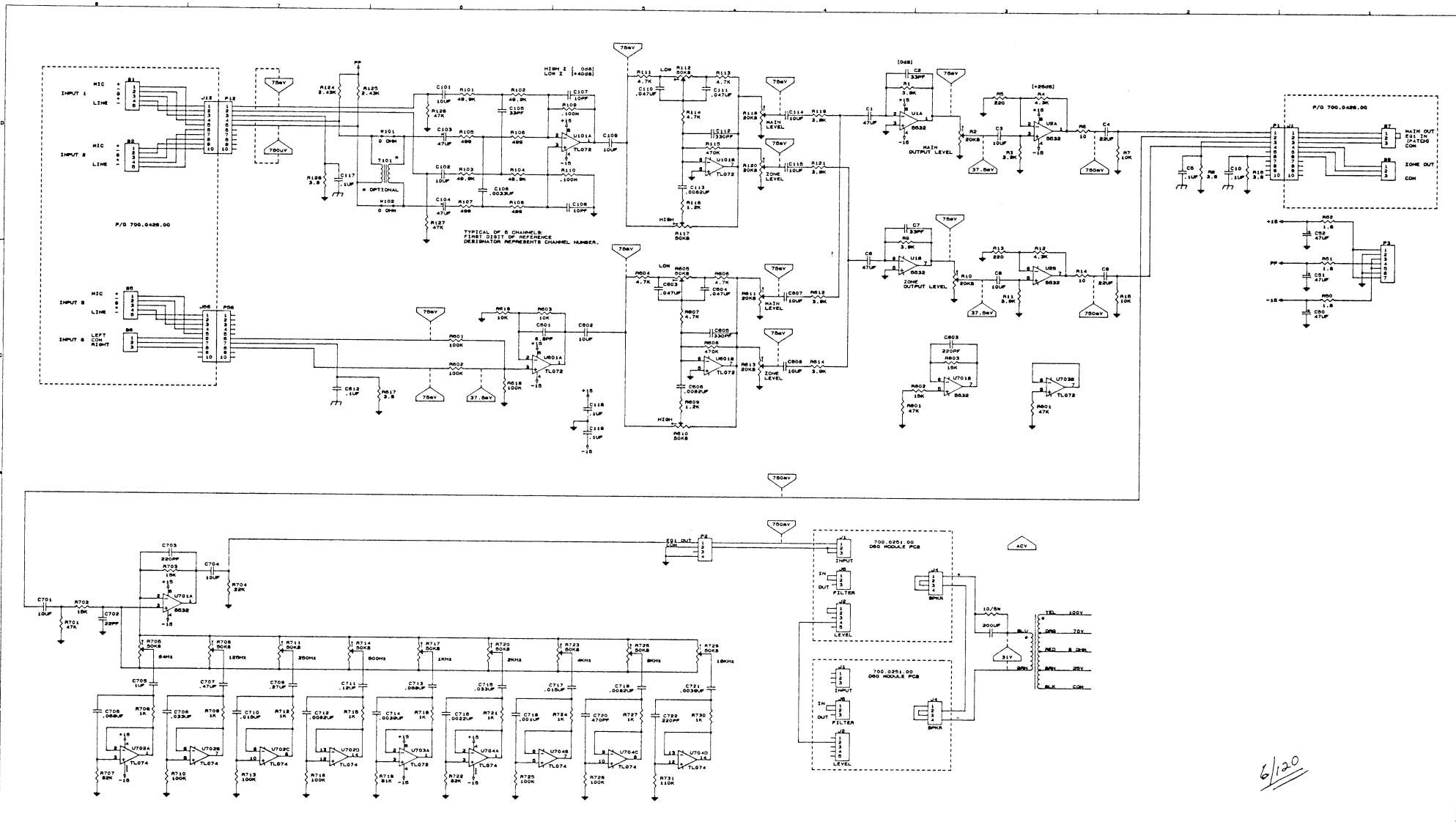
UNLESS OTHERWISE SPECIFIED, DIMENSIONS ARE IN INCHES TOLERANCES ARE DECIMALS FRACTIONS ANGLES MATERIAL FINISHES		DRAWN	DATE	<b>biamp</b> SYSTEMS, INC. 14270 N.W. SCIENCE PARK DRIVE PORTLAND, OR 97229
		ENGINEER		
		DESIGN		
MATERIAL		APPROVED		IN WALL AMPLIFIER MIXER SCHEMATIC DWG NO. 700-0424-00
FINISH		DATE		
MODEL		SCALE		
APPLICATION		DO NOT SCALE DRAWING	SHEET 1 OF 1	

BIAMP SYSTEMS  
 IN WALL MIXER P.C.B.  
 380-0424-00 REV. A  
 COPYRIGHT (c) 1992  
 MADE IN U.S.A.



BIAMP SYSTEMS  
 14270 N.W. Science Park Drive  
 Portland, Oregon 97229

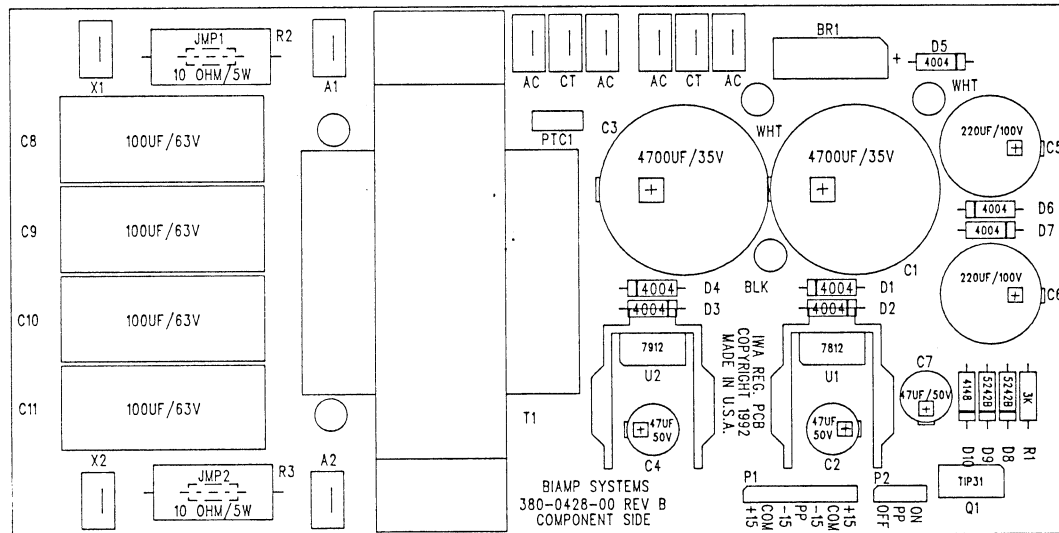
Sheet 1 of 3	DATE: 10/1/92	DRW: JLD	BY: JLD
SCALE: 2:1	DO NOT SCALE DRAWING	SCALE: 2:1	DO NOT SCALE DRAWING
APPLICATION:	DATE: 10/1/92	DRW: JLD	BY: JLD
DESIGNER: JLD	CHECKED: JLD	DATE: 10/1/92	BY: JLD
MATERIAL:	FINISH:	APPROVED:	DATE: 10/1/92
BIAMP SYSTEMS, INC. 14270 N.W. SCIENCE PARK DRIVE PORTLAND, OR 97229	IWA 6/60 D COMPONENT LAYOUT	DWG NO. 701-0425-00	REV. 1



6/20

THIS DRAWING IS THE PROPERTY OF BIAMP SYSTEMS AND MUST BE RETURNED, WITHOUT DUPLICATING AT ANY TIME, ON REQUEST, WHILE IN THE POSSESSION OF THE RECIPIENT. IT MUST BE PROTECTED AGAINST DISCLOSURE TO ANYONE EXCEPT THOSE EMPLOYEES WHO REQUIRE IT FOR THE WORK OR JOB. THE RECIPIENT AND ITS EMPLOYEES MUST KEEP CONFIDENTIAL AND NOT MAKE UNAUTHORIZED USE OF THE INFORMATION CONTAINED HEREON.

REV	E.C.O.	CHANGE	DATE	BY
B	NONE	380-0428-00 REV B FILM	4-8-93	TRK



BIAMP SYSTEMS  
14270 N.W. Science Park Drive  
Portland, Oregon 97229  
(503) 641-7287

3800428  
REV B

Sheet 1 of 5 : Silkscreen

ITEM	PART NO.	DESCRIPTION	SIZE	QTY.
<p>UNLESS OTHERWISE SPECIFIED, DIMENSIONS ARE IN INCHES. TOLERANCES ARE DECIMALS FRACTIONS ANGLES MATERIAL FLATNESS</p> <p>XX .1</p> <p>XXX .1</p>				
<p>GRAND NO. 40002</p> <p>CHECKED T.L.</p> <p>ENGINEER T.L.</p> <p>DESIGN T.L.</p>		<p><b>biamp BIAMP SYSTEMS</b></p> <p>IWA REG PCB COMPONENT LAYOUT</p>		
<p>MATERIAL</p> <p>FINISH</p>		<p>APPROVED T.L.</p> <p>DATE 7/2/93</p> <p>SIZE C</p> <p>DWG NO 701-0428-00</p> <p>REV B</p>		
<p>BREAK SHARP EDGES BY CHAMFER OR RADIUS .010 MAX</p> <p>YES NO</p>		<p>SCALE NONE</p> <p>DO NOT SCALE DRAWING</p> <p>SHEET 1 OF 1</p>		



A

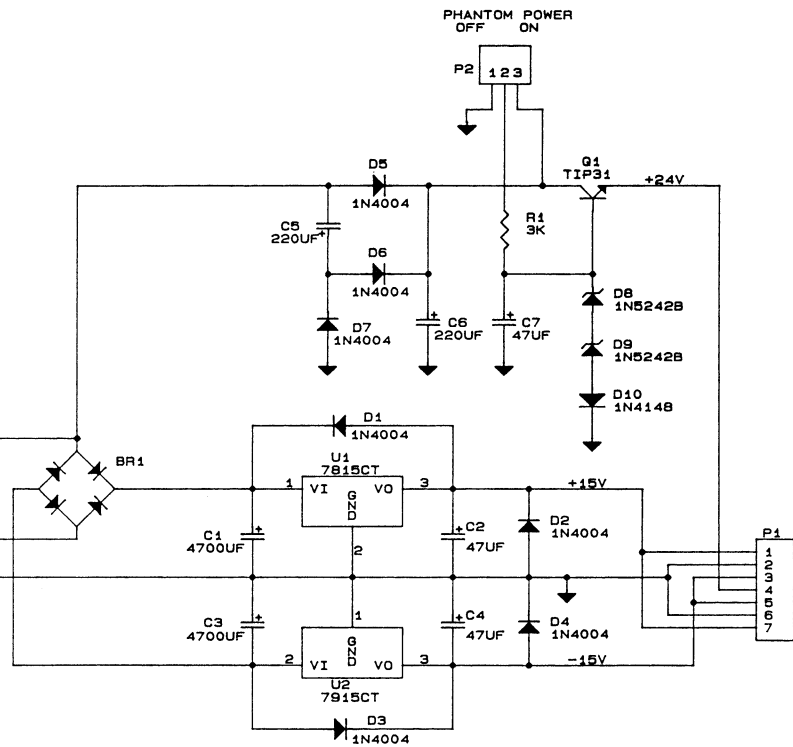
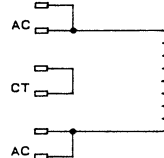
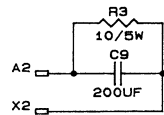
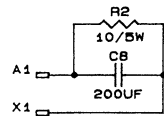
B

C

D

THIS DRAWING IS THE PROPERTY OF BIAMP SYSTEMS, AND MUST BE RETURNED, WITHOUT DUPLICATING AT ANY TIME, ON REQUEST, WHILE IN THE POSSESSION OF THE RECIPIENT, IT MUST BE PROTECTED AGAINST DISCLOSURE TO ANYONE EXCEPT THOSE EMPLOYEES WHO REQUIRE IT FOR THE WORK OR JOB. THE RECIPIENT AND ITS EMPLOYEES MUST KEEP CONFIDENTIAL, AND NOT MAKE UNAUTHORIZED USE OF THE INFORMATION CONTAINED HEREON.

REV.	E.C.O.	CHANGE	DATE	BY
B	NONE	ADDED R2 R3 C8 C9	8-26-93	



ITEM	PART NO.	DESCRIPTION	SIZE	QTY.
UNLESS OTHERWISE SPECIFIED, DIMENSIONS ARE IN INCHES. TOLERANCES ARE: DECIMALS FRACTIONS ANGLES MATERIAL FLATNESS		<b>biamp</b> BIAMP SYSTEMS IWA REG. PCB SCHEMATIC	DATE 8-26-93 CHECKED TL 8-26-93 ENGINEER DESIGN APPROVED [Signature] 8/26/93	SIZE B DWG. NO. 700-0428-00 REV. B
MODEL	NEXT DWG.			

A

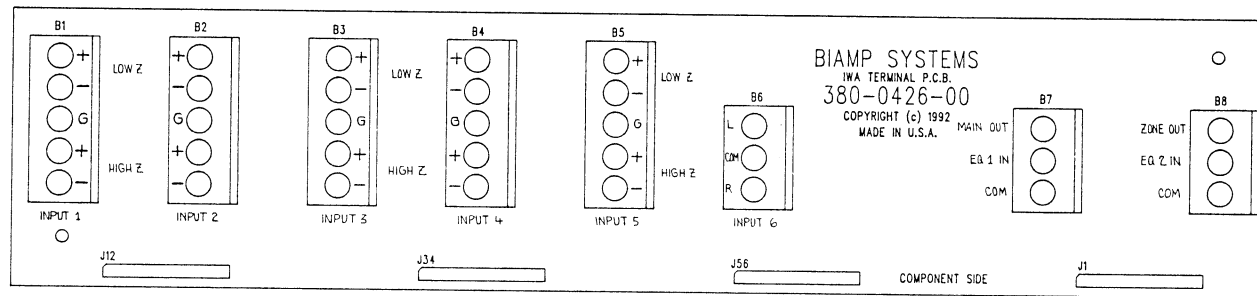
B

C

D

THIS DRAWING IS THE PROPERTY OF BIAMP SYSTEMS, INC. AND MUST BE RETURNED WITHOUT DUPLICATION AT ANY TIME, ON REQUEST, WHILE IN THE POSSESSION OF THE RECIPIENT. IT MUST BE PROTECTED AGAINST DISCLOSURE TO ANYONE EXCEPT THOSE EMPLOYEES PERMITTED TO DO SO IN WRITING BY THE RECIPIENT AND IT MUST NEVER BE MADE CONFIDENTIAL AND NOT MAKE UNAUTHORIZED USE OF THE INFORMATION CONTAINED HEREON.

REV.	A.E.D.	CHECKED	CHANGE	DATE	BY



BIAMP SYSTEMS  
 IWA TERMINAL P.C.B.  
 380-0426-00  
 COPYRIGHT (c) 1992  
 MADE IN U.S.A.

BIAMP SYSTEMS  
 14270 N.W. Science Park Drive  
 Portland, Oregon 97229  
 (503) 641-7287

Sheet 1 of 5 : Silkscreen

UNLESS OTHERWISE SPECIFIED, DIMENSIONS ARE IN INCHES, TOLERANCES ARE:		DATE	REV.
FR 2	DECIMALS	10/8/92	1
FR 3	FRACTIONS		
FR 4	ANGLES		
FR 5	MATERIAL		
FR 6	FINISH		
FR 7	SHARP EDGES		
FR 8	CHAMFER OR RADIUS		
FR 9	RISER		
FR 10	MAX		
FR 11	YES		
FR 12	NO		

DRAWN	ED	CHECKED	ED
DESIGNED	TFL	DATE	7/12/92
MATERIAL	DESIGN	APPROVED	
MODEL	NEXT DWG	SCALE	1:1
APPLICATION		DO NOT SCALE DRAWING	SHEET 1 OF 1

BIAMP SYSTEMS, INC.	
14270 N.W. SCIENCE PARK DRIVE	
PORTLAND, OR 97229	
IWA TERMINAL PCB	
COMPONENT LAYOUT	
REV.	1
DWG NO.	701-0426-00

A

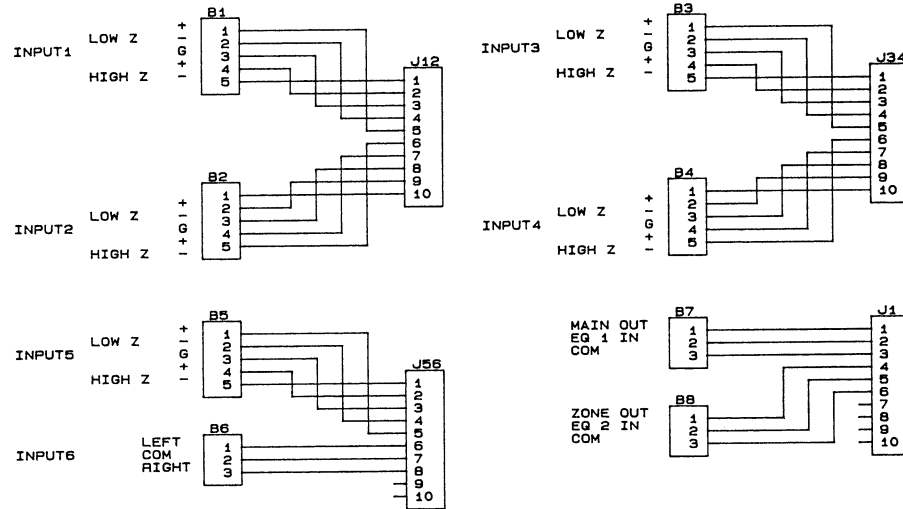
B

C

D

REV.	E.C.O.	CHANGE	DATE	BY
------	--------	--------	------	----

THIS DRAWING IS THE PROPERTY OF BIAMP SYSTEMS, AND MUST BE RETURNED, WITHOUT DUPLICATING AT ANY TIME, ON REQUEST, WHILE IN THE POSSESSION OF THE RECIPIENT, IT MUST BE PROTECTED AGAINST DISCLOSURE TO ANYONE EXCEPT THOSE EMPLOYEES WHO REQUIRE IT FOR THE WORK OR JOB. THE RECIPIENT AND ITS EMPLOYEES MUST KEEP CONFIDENTIAL, AND NOT MAKE UNAUTHORIZED USE OF THE INFORMATION CONTAINED HEREON.



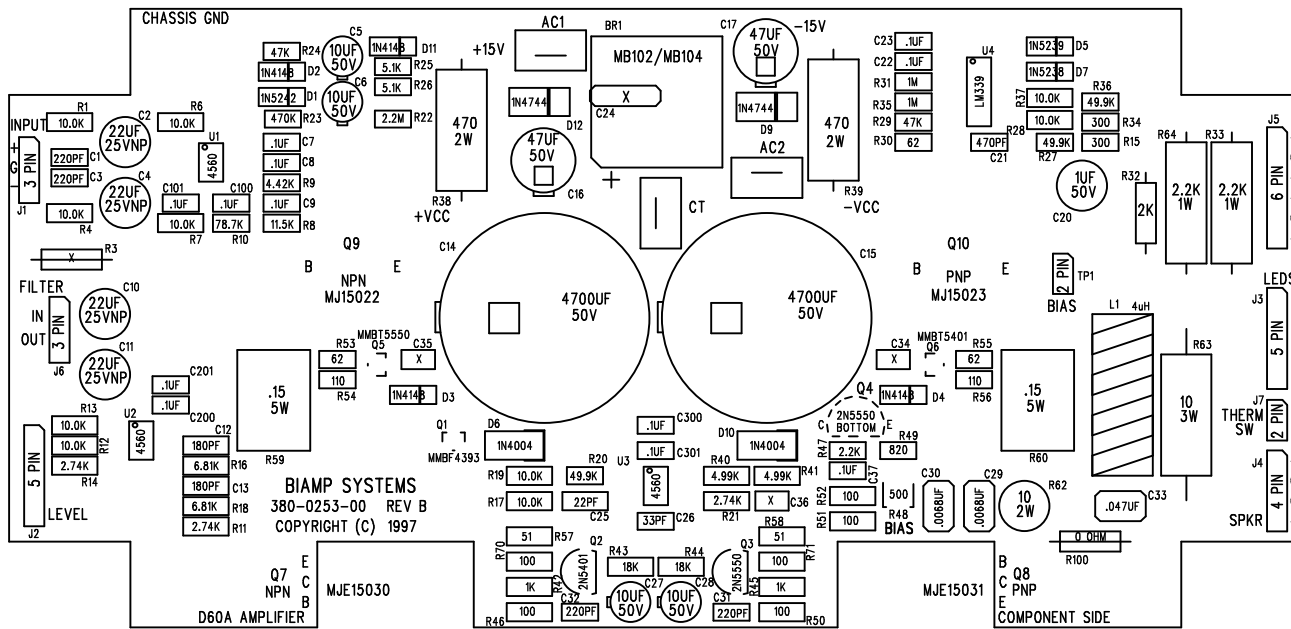
ITEM	PART NO.	DESCRIPTION	SIZE	QTY.		
UNLESS OTHERWISE SPECIFIED, DIMENSIONS ARE IN INCHES. TOLERANCES ARE:		<b>biamp</b> BIAMP SYSTEMS IWA TERMINAL PCB SCHEMATIC	B	REV.		
DECIMALS	FRACTIONS				ANGLES	MATERIAL
.XX ±	±				±	FLATNESS
MATERIAL		ENGINEER	DATE			
FINISH		DESIGN	11-16-92			
MODEL		APPROVED	7-13-93			
NEXT DWG.		SCALE	NDNE			
APPLICATION		DWG. NO. 700-0426-00		SHEET 1 OF 1		
BREAK SHARP EDGES 45° CHAMFER OR RADIUS .010 MAX.		DO NOT SCALE DRAWING				

A

B

C

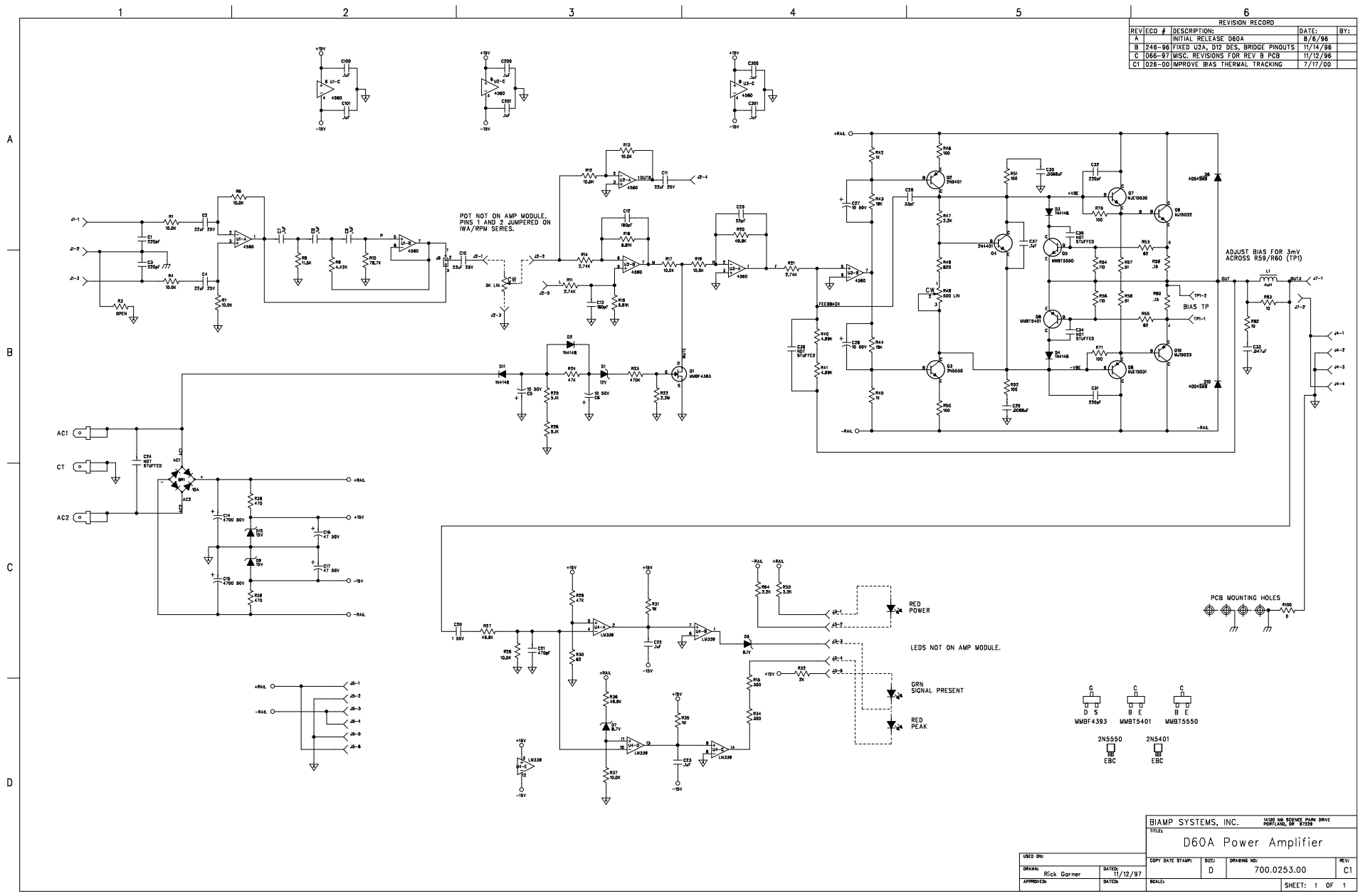
D



BIAMP SYSTEMS  
 14130 N.W. Science Park Drive  
 Portland, Oregon 97229  
 (503) 641-7287

**380-0253-00** REV B  
 D60A AMPLIFIER PCB

REVISION RECORD				
REV	ECO #	DESCRIPTION	DATE	BY:
A		INITIAL RELEASE D60A	8/6/98	
B	246-96	FIXED U2A, D12 DES, BRIDGE PINOUTS	11/14/98	
C	068-97	MISC. REVISIONS FOR REV B PCB	11/12/98	
C1	028-00	IMPROVE BIAS THERMAL TRACKING	7/17/00	



BIAMP SYSTEMS, INC. 1330 NW SCIENCE PARK DRIVE  
PORTLAND, OR 97229

TITLE: D60A Power Amplifier

USED ON:	COPY DATE STAMP:	SIZE:	DRAWING NO:	REV:
DRAWING: Rick Garner	DATE: 11/12/97	D	700.0253.00	C1
APPROVED: [ ]	SCALE:			SHEET: 1 OF 1