

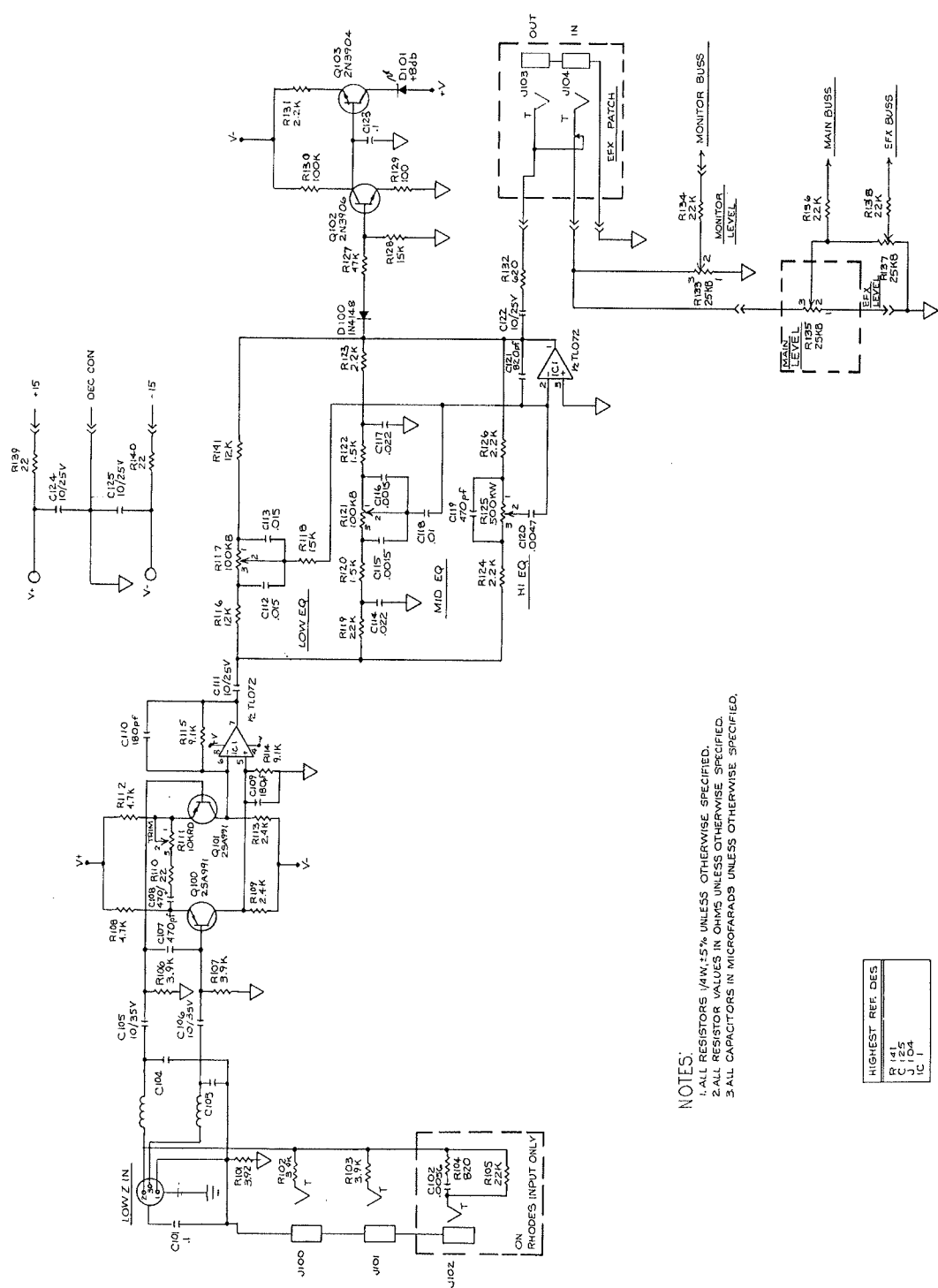
KeyBoard "44"

## Schematic

**B I A M P**<sup>®</sup>  
—  
S Y S T E M S

10074 SW Arctic Drive      Beaverton, OR 97005      503-641-7287

THIS DRAWING IS THE PROPERTY OF BIAMP SYSTEMS, INC. AND MUST BE RETURNED TO THE COMPANY IF USED IN ANY MANNER WITHOUT THE WRITTEN PERMISSION OF BIAMP SYSTEMS, INC. THE COMPANY ASSUMES NO LIABILITY FOR ANY DAMAGE TO ANY PARTS OR EQUIPMENT CAUSED BY THE USE OF THIS DRAWING. THE COMPANY ASSUMES NO LIABILITY FOR ANY DAMAGE TO ANY PARTS OR EQUIPMENT CAUSED BY THE USE OF THIS DRAWING.



NOTES:  
 1. ALL RESISTORS 1/4W, ±5% UNLESS OTHERWISE SPECIFIED.  
 2. ALL RESISTOR VALUES IN OHMS UNLESS OTHERWISE SPECIFIED.  
 3. ALL CAPACITORS IN MICROFARADS UNLESS OTHERWISE SPECIFIED.

HIGHEST REF. DES.  
 R 141  
 J 104  
 IC 1

REV.	ECO	CHANGE	DATE	BY

ITEM	QTY.	DESCRIPTION	REV.	DATE

DESIGNED BY	CHECKED BY	DATE	REV.	DATE

APPROVED BY	DATE	REV.	DATE

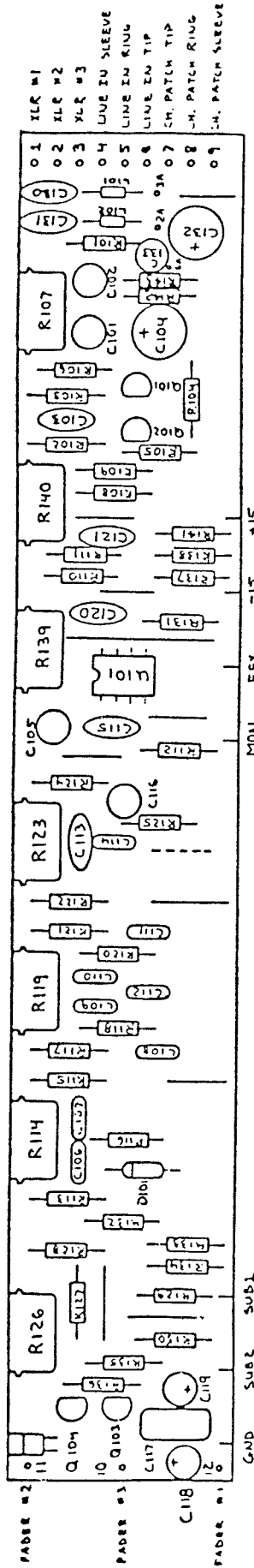
APPLICATOR	MODEL	SHEET NO.	FINISH	MATERIAL	MA	FINISH	MA	REV.	DATE

SCALE	NO.	DATE	BY

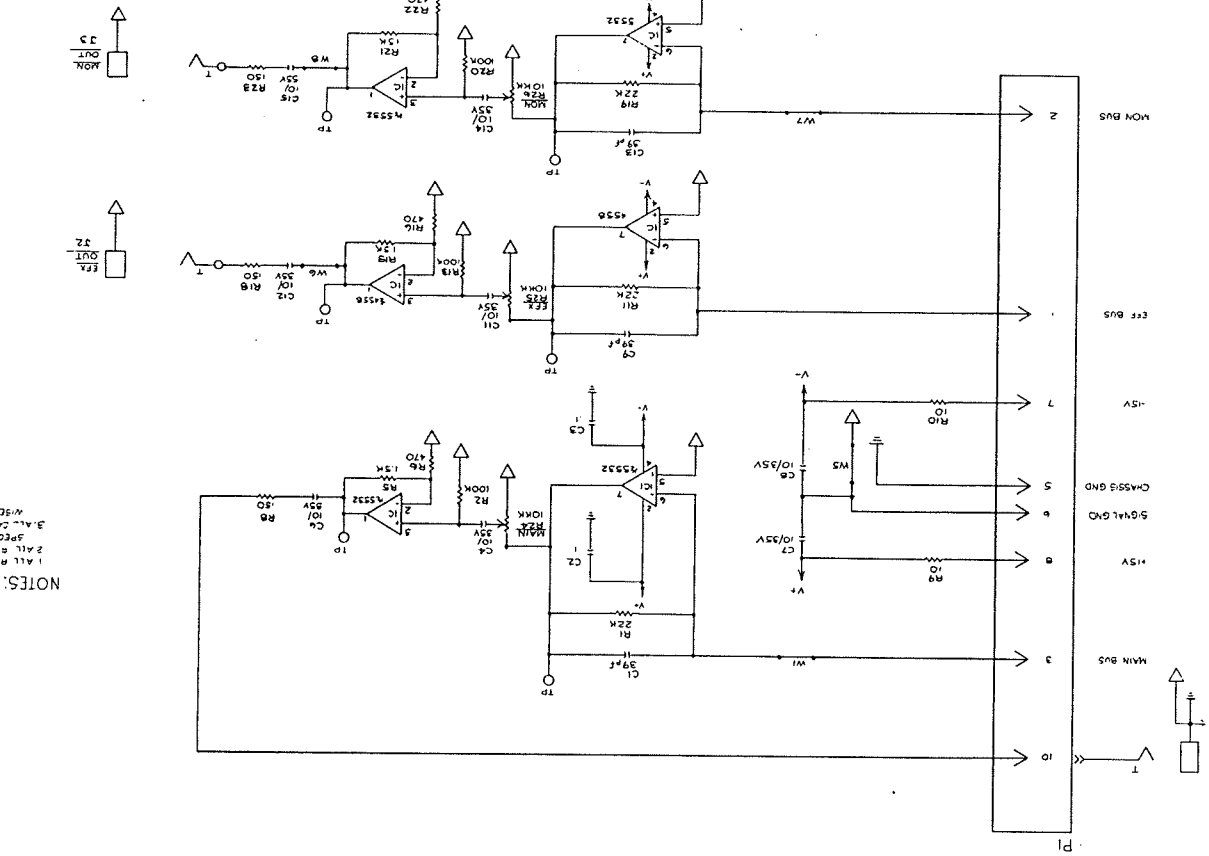
BIAMP SYSTEMS INC.  
 KB44 INPUT SCHEMATIC

FORM NO. 700-0302-00  
 SCALE 1:1  
 SHEET 1 OF 1



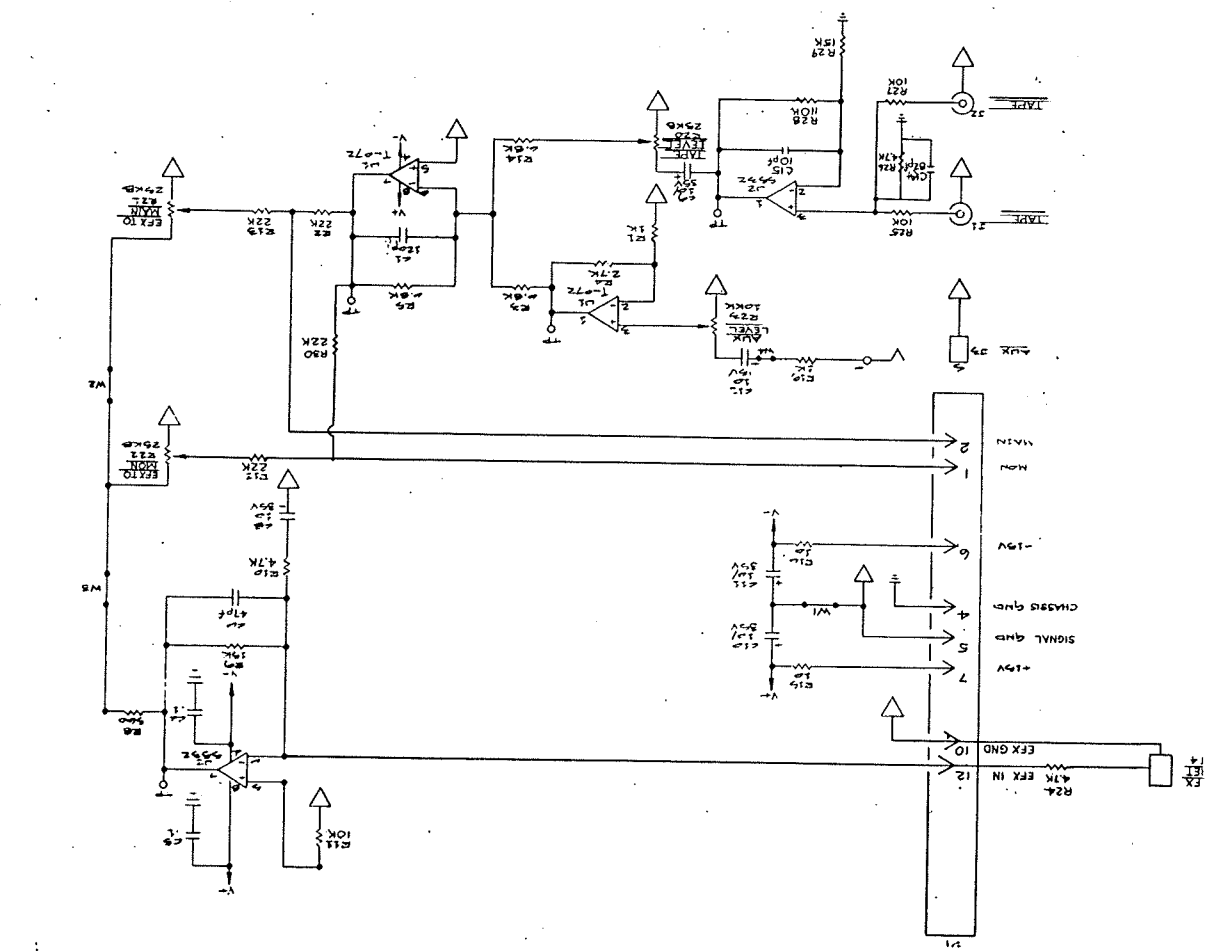
INPUT CHANNEL

REV	DATE	BY	CHKD
1			
2			
3			
4			
5			
6			
7			
8			
9			
10			
11			
12			
13			
14			
15			
16			
17			
18			
19			
20			



NOTES:  
 1 ALL RT  
 2 ALL RT  
 3 ALL CA  
 W/3E

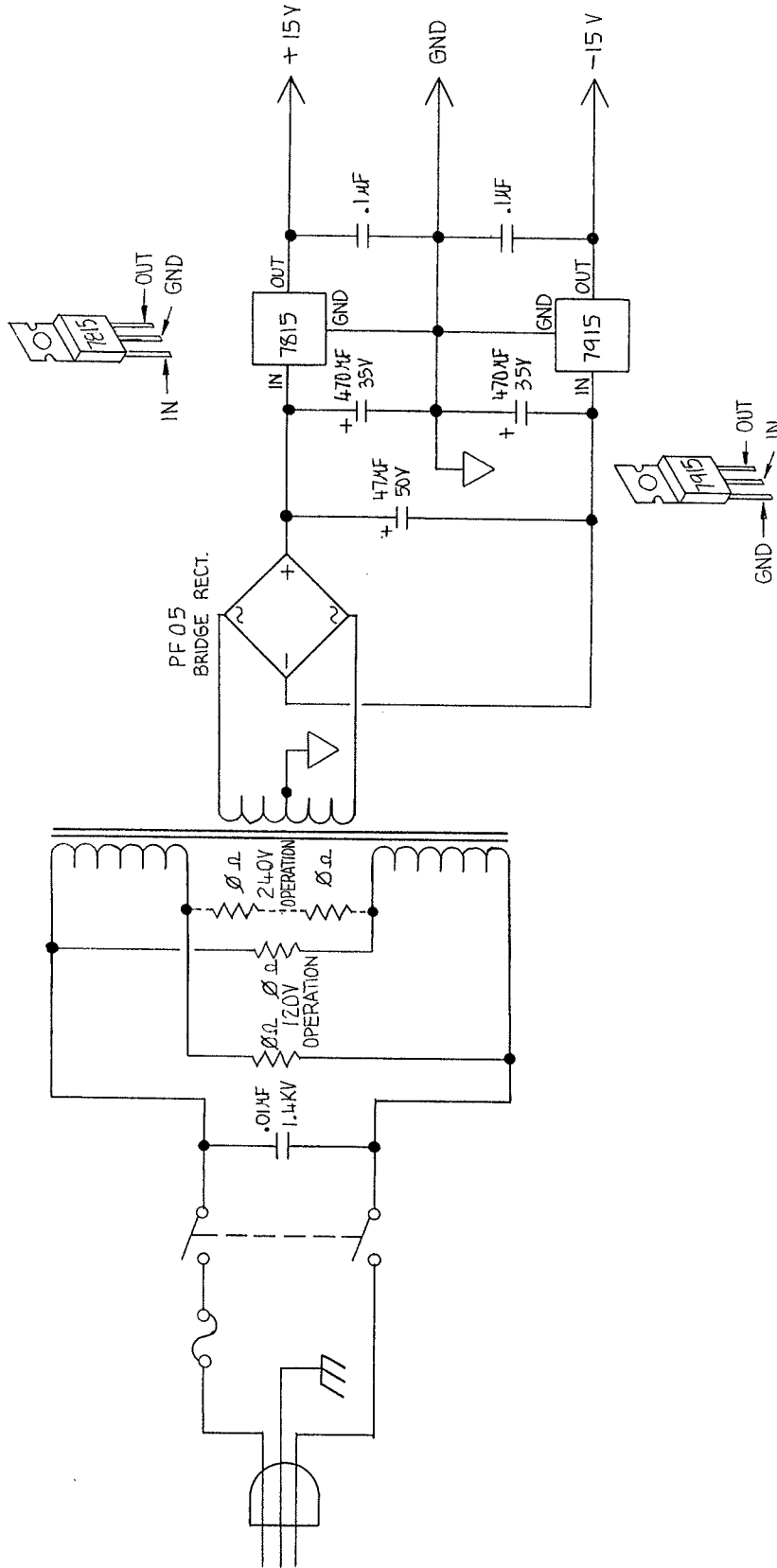
REVISIONS







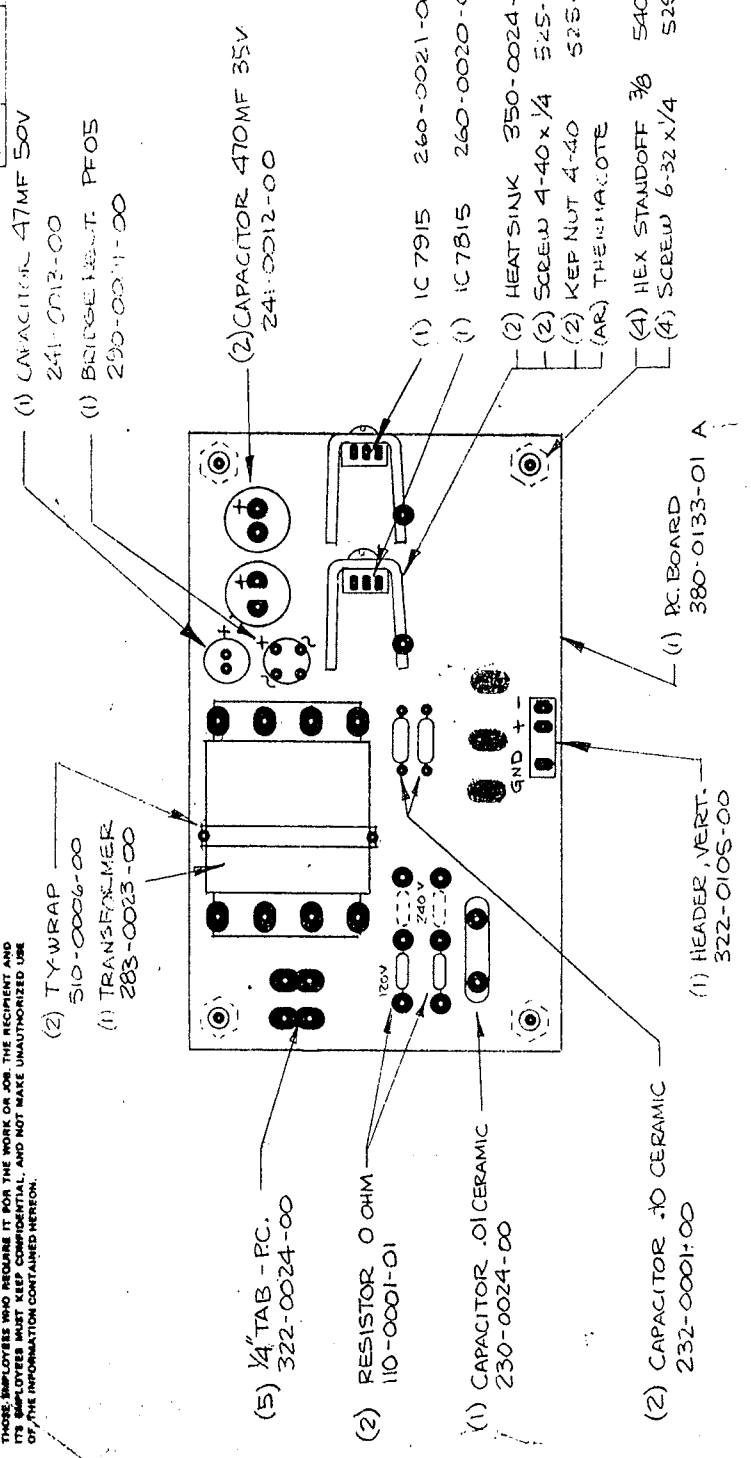
THIS DRAWING IS THE PROPERTY OF BIAMP SYSTEMS, AND MUST BE RETURNED WITHOUT DUPLICATING AT ANY TIME, ON REQUEST, WHILE IN THE POSSESSION OF THE RECIPIENT. IT MUST BE PROTECTED AGAINST DISCLOSURE TO ANYONE EXCEPT THOSE EMPLOYEES WHO REQUIRE IT FOR THE WORK ON JOB. THE RECIPIENT AND HIS EMPLOYER SHALL HOLD THIS INFORMATION CONFIDENTIAL, AND NOT MAKE UNAUTHORIZED USE OF THE INFORMATION CONTAINED HEREIN.



A B C D

REV.		E.C.O.		CHANGE		DATE	BY
PART NO.		DESCRIPTION		SIZE		QTY.	
DRAWN ND		DATE 7-14-89					
CHECKED							
ENGINEER							
DESIGN							
APPROVED							
MATERIAL							
FINISH							
MODEL		NEXT DWG.					
APPLICATION							
UNLESS OTHERWISE SPECIFIED, DIMENSIONS ARE IN INCHES. TOLERANCES ARE:							
DECIMALS		FRACTIONS		ANGLES		MATERIAL FLATNESS	
.XX		+					
.XXX							
BIAAMP		BIAMP SYSTEMS					
KB44, POWER SUPPLY		SCHEMATIC					
SIZE B		DWG. NO. 700-0305-00				REV.	
SCALE NONE		DO NOT SCALE DRAWING				SHEET 1 OF 1	

THIS DRAWING IS THE PROPERTY OF BIAMP SYSTEMS INC. AND MUST BE RETURNED WITHOUT DUPLICATING AT ANY TIME. ON REQUEST, WHILE IN THE POSSESSION OF THE RECIPIENT, IT MUST BE PROTECTED AGAINST DISCLOSURE TO ANYONE EXCEPT THOSE EMPLOYEES WHO REQUIRE IT FOR THE WORK OR JOB. THE RECIPIENT AND ITS EMPLOYEES MUST KEEP CONFIDENTIAL, AND NOT MAKE UNAUTHORIZED USE OF THE INFORMATION CONTAINED HEREON.



REV.	ECO	CHANGE	DATE	BY
A	213-83	PRODUCTION RELEASE	0-83	GO
B	252-83	CHSD XFMR SPADE 20M	1-84	NJR

ITEM	PART NO.	DATE	DESCRIPTION	QTY.
1	380-0133-01 A	10/83	PC BOARD	1
2	510-0006-00		TY WRAP	2
3	283-0023-00		TRANSFORMER	1
4	241-0012-00		CAPACITOR 47MF 50V	2
5	290-0011-00		BRIDGE RECT. PFOS	1
6	260-0021-00		IC 7915	1
7	260-0020-00		IC 7815	1
8	350-0024-00		HEAT-SINK	2
9	525-0042-00		SCREW 4-40 x 1/4	2
10	525-0044-00		KEP NUT 4-40	2
11	540-0024-00		HEX STANDOFF 3/8	4
12	525-0002-00		SCREW 6-32 x 1/4	4

BIAMP SYSTEMS INC.

44 PWR SPLY PCB ASSY

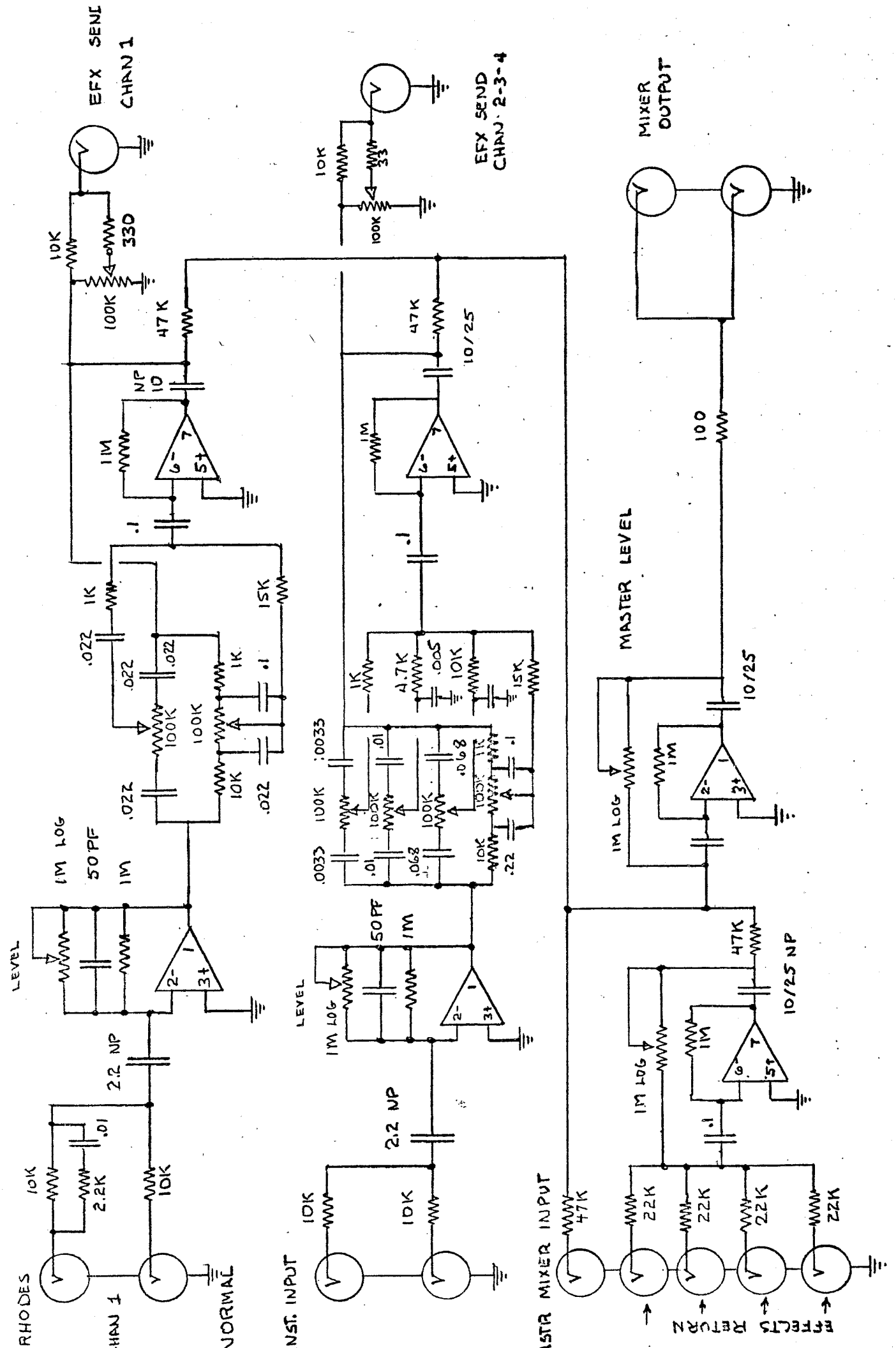
SIZE B DWG NO. 701-0305-00

SCALE 1/1 DO NOT SCALE DRAWING

SHEET 1 OF 1



# BIAMP KEYBOARD MIXER



BIAMP  
KEYBOARD MIXER  
PWR SUPPLY

