

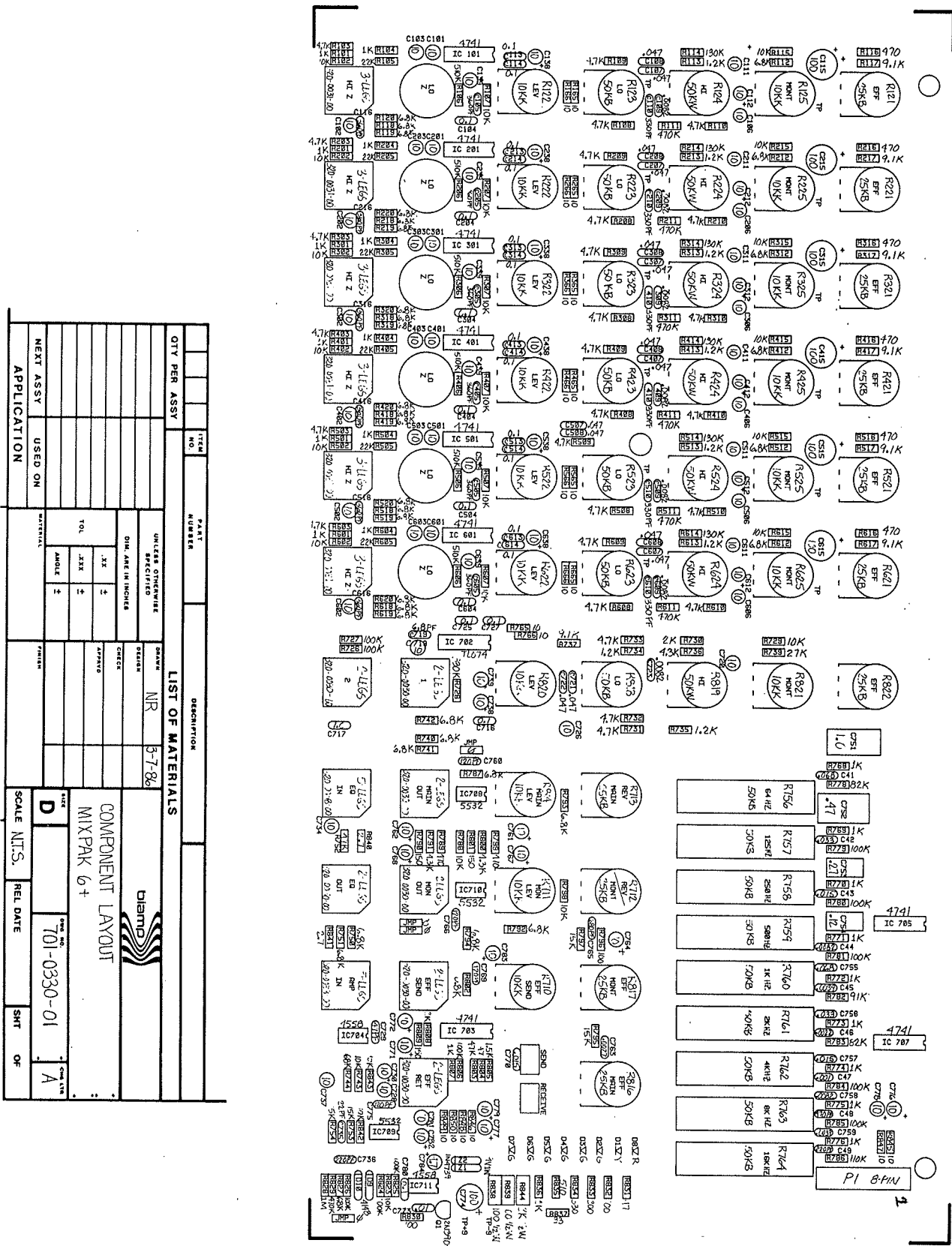
Mixpak 6/300 & 8/300

Schematic

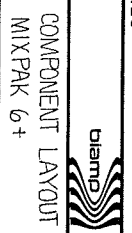
B I A M P[®]

S Y S T E M S

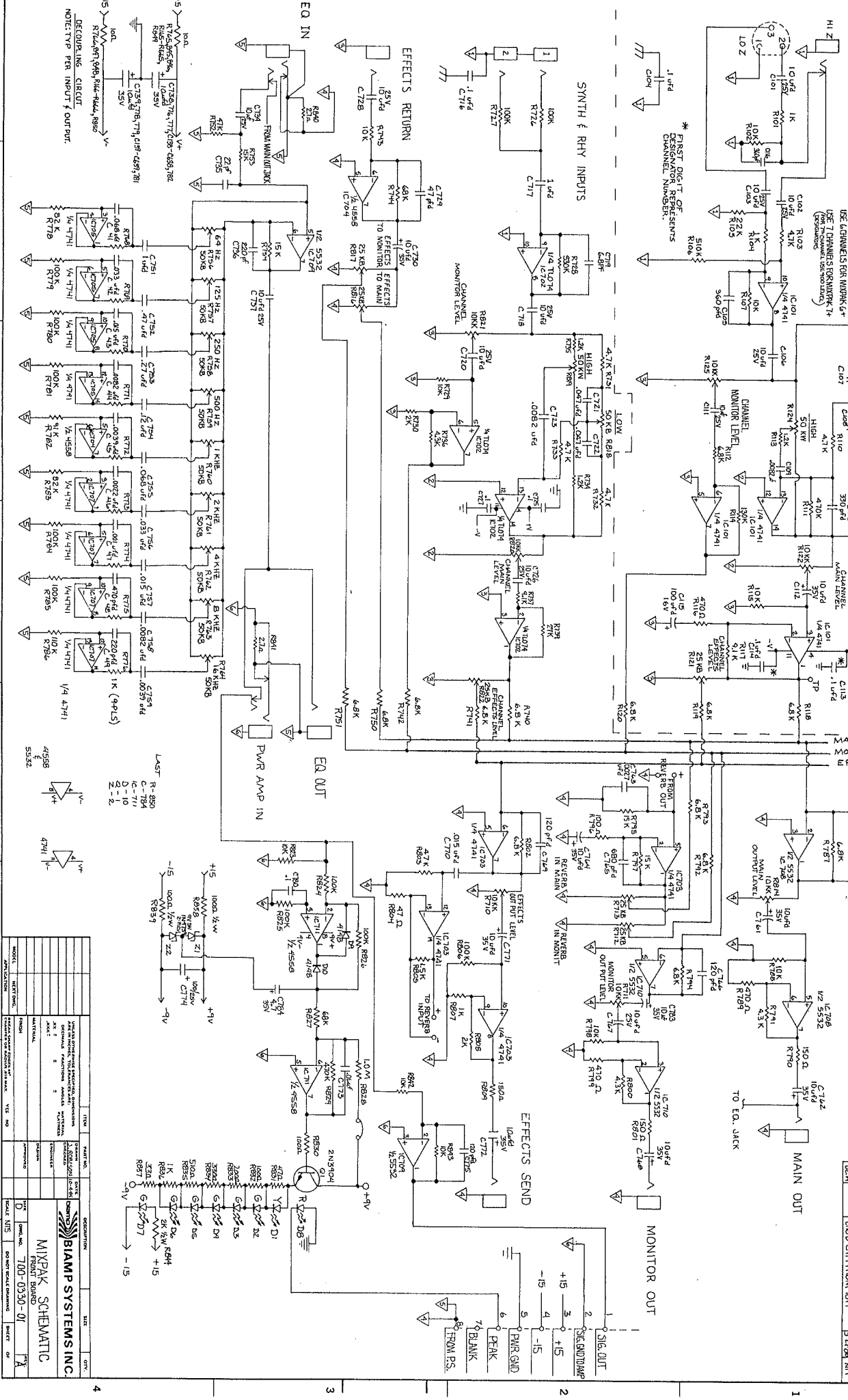
10074 SW Arctic Drive Beaverton, OR 97005 503-641-7287



QTY PER ASSY		ITEM NO	PART NUMBER	DESCRIPTION
LIST OF MATERIALS				
		UNLESS OTHERWISE SPECIFIED		
		DIM. ARE IN INCHES		
		DRAWN NR 5-7-86		
		CHECKED		
		TOL		
		ANGLE		
		FINISH		
		SCALE NTS.		
		REL DATE		
		SMT OF		
		APPLICATION USED ON		
		NEXT ASSY		



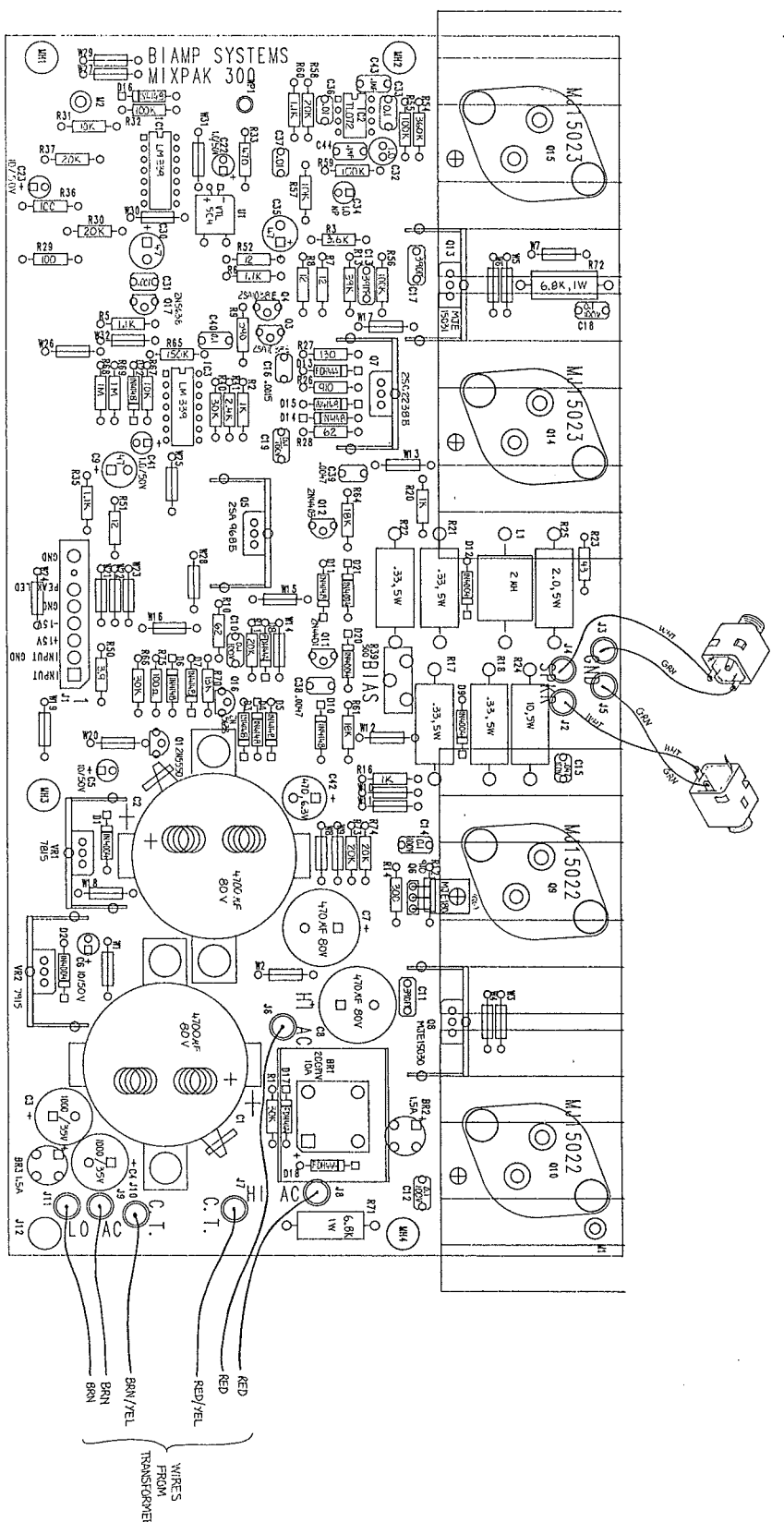
701-0330-01



REV.	DATE	CHANGE	BY
1	12/28/81	INITIAL	J. W. BROWN
2	12/28/81	REVISED PER COMMENTS	J. W. BROWN
3	12/28/81	REVISED PER COMMENTS	J. W. BROWN
4	12/28/81	REVISED PER COMMENTS	J. W. BROWN

NO.	DESCRIPTION	QTY.
1	2N3904	1
2	2N3904	1
3	2N3904	1
4	2N3904	1
5	2N3904	1
6	2N3904	1
7	2N3904	1
8	2N3904	1
9	2N3904	1
10	2N3904	1
11	2N3904	1
12	2N3904	1
13	2N3904	1
14	2N3904	1
15	2N3904	1
16	2N3904	1
17	2N3904	1
18	2N3904	1
19	2N3904	1
20	2N3904	1
21	2N3904	1
22	2N3904	1
23	2N3904	1
24	2N3904	1
25	2N3904	1
26	2N3904	1
27	2N3904	1
28	2N3904	1
29	2N3904	1
30	2N3904	1
31	2N3904	1
32	2N3904	1
33	2N3904	1
34	2N3904	1
35	2N3904	1
36	2N3904	1
37	2N3904	1
38	2N3904	1
39	2N3904	1
40	2N3904	1
41	2N3904	1
42	2N3904	1
43	2N3904	1
44	2N3904	1
45	2N3904	1
46	2N3904	1
47	2N3904	1
48	2N3904	1
49	2N3904	1
50	2N3904	1
51	2N3904	1
52	2N3904	1
53	2N3904	1
54	2N3904	1
55	2N3904	1
56	2N3904	1
57	2N3904	1
58	2N3904	1
59	2N3904	1
60	2N3904	1
61	2N3904	1
62	2N3904	1
63	2N3904	1
64	2N3904	1
65	2N3904	1
66	2N3904	1
67	2N3904	1
68	2N3904	1
69	2N3904	1
70	2N3904	1
71	2N3904	1
72	2N3904	1
73	2N3904	1
74	2N3904	1
75	2N3904	1
76	2N3904	1
77	2N3904	1
78	2N3904	1
79	2N3904	1
80	2N3904	1
81	2N3904	1
82	2N3904	1
83	2N3904	1
84	2N3904	1
85	2N3904	1
86	2N3904	1
87	2N3904	1
88	2N3904	1
89	2N3904	1
90	2N3904	1
91	2N3904	1
92	2N3904	1
93	2N3904	1
94	2N3904	1
95	2N3904	1
96	2N3904	1
97	2N3904	1
98	2N3904	1
99	2N3904	1
100	2N3904	1

THIS DRAWING IS THE PROPERTY OF BIAMP SYSTEMS, INC. IT IS TO BE USED ONLY FOR THE PROJECT AND QUANTITY SPECIFIED THEREON. IT IS NOT TO BE REPRODUCED, COPIED, OR TRANSMITTED IN ANY FORM OR BY ANY MEANS, ELECTRONIC OR MECHANICAL, INCLUDING PHOTOCOPYING, RECORDING, OR BY ANY INFORMATION STORAGE AND RETRIEVAL SYSTEM. ANY UNAUTHORIZED USE OF THIS DRAWING IS STRICTLY PROHIBITED. BIAMP SYSTEMS, INC. PORTLAND, OREGON U.S.A.



BIAMP SYSTEMS
 14270 N.W. SCIENCE PARK DRIVE
 PORTLAND, OREGON U.S.A.
 (503) 641-7287

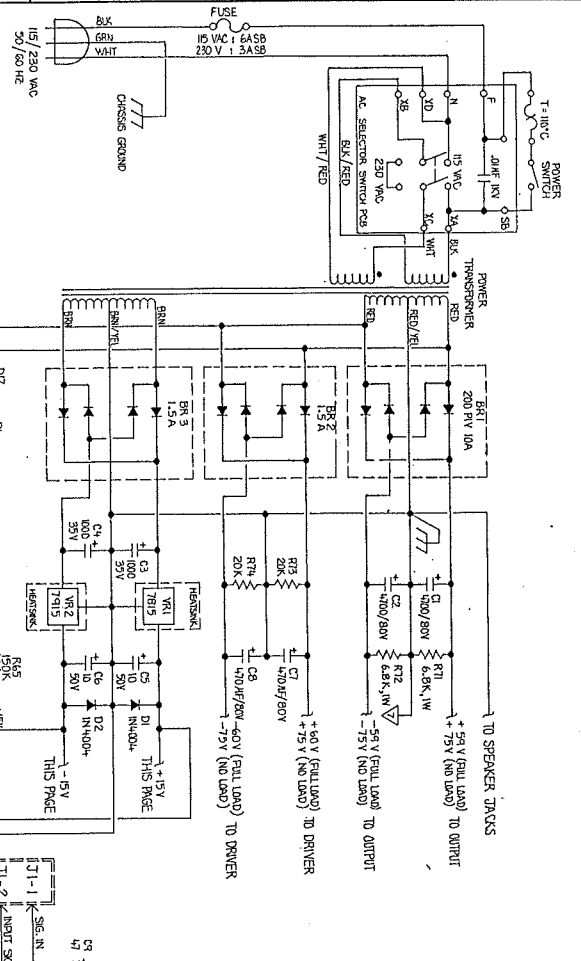
BIAMP SYSTEMS
 MIXPAK 300 REAR POWER PCB
 380-0300-00

NOTES:
 . COMPONENTS SHOWN (W...) ARE RES. & A.

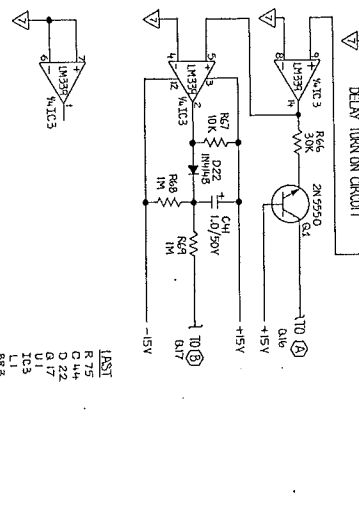
REV.	DATE	REVISION	COMMENTS	BY	CHKD.
A	10-1-80		SWAPPED ON = 05		
<p>BIAMP SYSTEMS, INC. 14270 N.W. SCIENCE PARK DRIVE PORTLAND, OREGON 97201 TEL: (503) 641-7287 FAX: (503) 641-7288</p>					
Component Layout MIXPAK 300 REAR POWER PCB 380-0300-00			SHEET 1 OF 1		

3800300 Job - Fri Dec 29 06:37:24 1989

THIS SCHEMATIC IS THE PROPERTY OF BIAMP SYSTEMS, INC. IT IS LOANED TO YOU FOR YOUR PERSONAL USE ONLY. IT IS NOT TO BE REPRODUCED OR TRANSMITTED IN ANY FORM OR BY ANY MEANS, ELECTRONIC OR MECHANICAL, INCLUDING PHOTOCOPYING, RECORDING, OR BY ANY INFORMATION STORAGE AND RETRIEVAL SYSTEM. WITHOUT THE WRITTEN PERMISSION OF BIAMP SYSTEMS, INC.

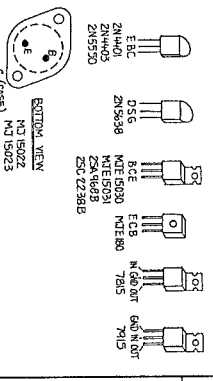
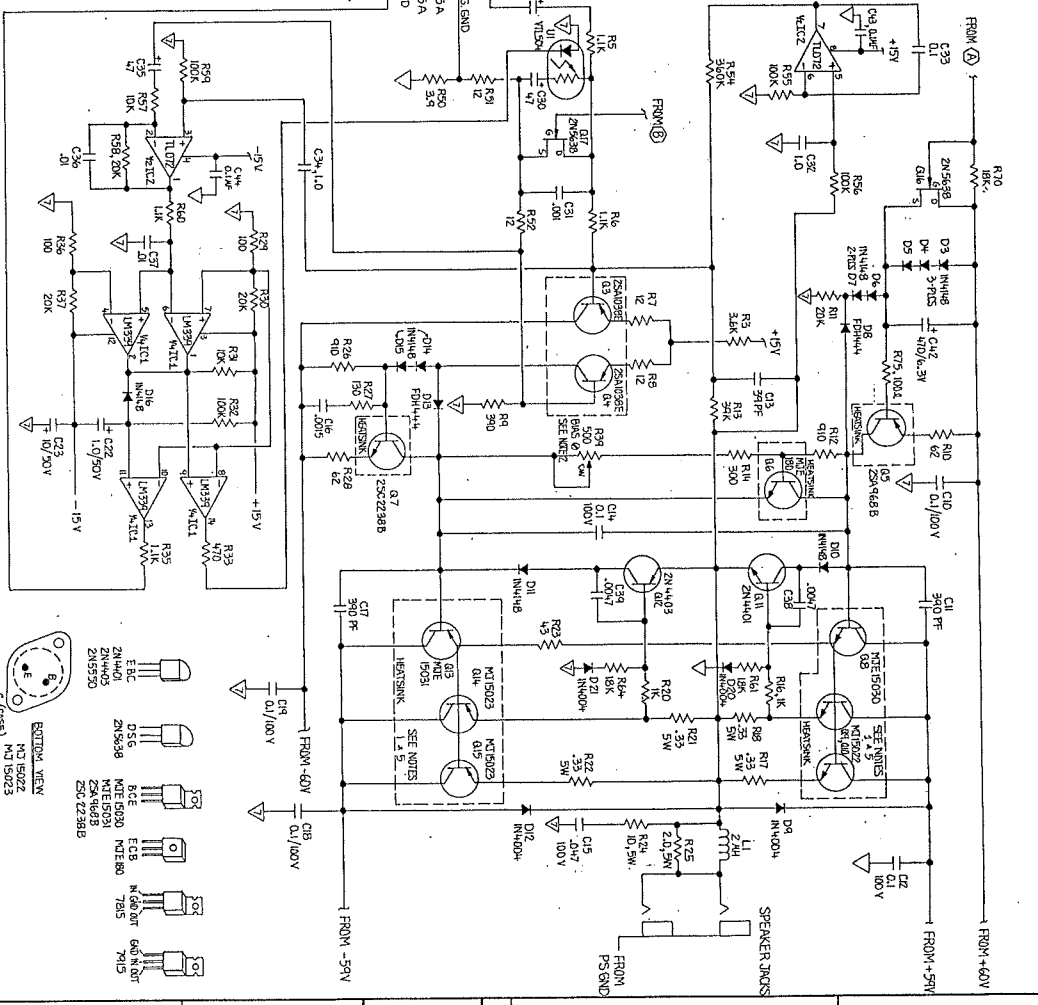


- NOTES:
1. OUTPUT TRANSISTORS Q2 THRU Q5 (Q3 THRU Q5 ARE ON HEADPHONES)
 2. RESISTOR VALUES FOR 5-20 MV ACROSS RESISTORS R12, R16, R21, R22.
 3. ALL RESISTORS ARE 1/4 W, 5% AND ARE LISTED IN OHMS UNLESS OTHERWISE NOTED.
 4. ALL CAPACITORS ARE LISTED IN MICROFARADS UNLESS OTHERWISE NOTED.
 5. ON SOME MODELS, Q9 AND Q10 ARE 2SD1424, INSTEAD OF MJE 15022 AND Q6 AND Q15 ARE 2SB9754 INSTEAD OF MJE 60233.



LIST

R 375
C 144
D 222
Q 17
IC 3
L 1
SR 3
VR 2



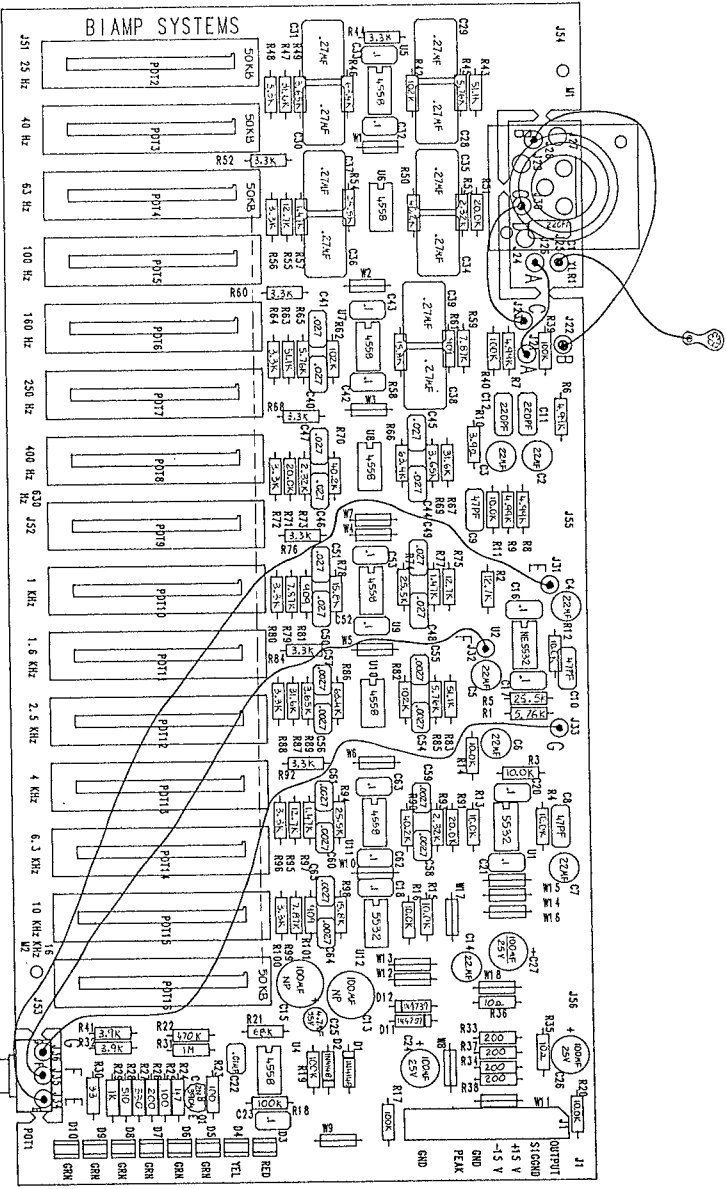
NO.	DESCRIPTION	QTY
1	2N4403	100
2	2N4403	100
3	2N4403	100
4	2N4403	100
5	2N4403	100
6	2N4403	100
7	2N4403	100
8	2N4403	100
9	2N4403	100
10	2N4403	100
11	2N4403	100
12	2N4403	100
13	2N4403	100
14	2N4403	100
15	2N4403	100
16	2N4403	100
17	2N4403	100
18	2N4403	100
19	2N4403	100
20	2N4403	100
21	2N4403	100
22	2N4403	100
23	2N4403	100
24	2N4403	100
25	2N4403	100
26	2N4403	100
27	2N4403	100
28	2N4403	100
29	2N4403	100
30	2N4403	100
31	2N4403	100
32	2N4403	100
33	2N4403	100
34	2N4403	100
35	2N4403	100
36	2N4403	100
37	2N4403	100
38	2N4403	100
39	2N4403	100
40	2N4403	100
41	2N4403	100
42	2N4403	100
43	2N4403	100
44	2N4403	100
45	2N4403	100
46	2N4403	100
47	2N4403	100
48	2N4403	100
49	2N4403	100
50	2N4403	100
51	2N4403	100
52	2N4403	100
53	2N4403	100
54	2N4403	100
55	2N4403	100
56	2N4403	100
57	2N4403	100
58	2N4403	100
59	2N4403	100
60	2N4403	100
61	2N4403	100
62	2N4403	100
63	2N4403	100
64	2N4403	100
65	2N4403	100
66	2N4403	100
67	2N4403	100
68	2N4403	100
69	2N4403	100
70	2N4403	100
71	2N4403	100
72	2N4403	100
73	2N4403	100
74	2N4403	100
75	2N4403	100
76	2N4403	100
77	2N4403	100
78	2N4403	100
79	2N4403	100
80	2N4403	100
81	2N4403	100
82	2N4403	100
83	2N4403	100
84	2N4403	100
85	2N4403	100
86	2N4403	100
87	2N4403	100
88	2N4403	100
89	2N4403	100
90	2N4403	100
91	2N4403	100
92	2N4403	100
93	2N4403	100
94	2N4403	100
95	2N4403	100
96	2N4403	100
97	2N4403	100
98	2N4403	100
99	2N4403	100
100	2N4403	100

BIAMP SYSTEMS, INC.
 8401 VAN ALLEN BLVD.
 HOUSTON, TEXAS 77030
 MIXPAK 300 POWER PCB
 SCHEMATIC
 700-0300-00

4
3
2
1

A B C D E F G H

THIS DRAWING IS THE PROPERTY OF BIAMP SYSTEMS, INC. AND IS NOT TO BE REPRODUCED OR TRANSMITTED IN ANY FORM OR BY ANY MEANS, ELECTRONIC OR MECHANICAL, INCLUDING PHOTOCOPYING, RECORDING, OR BY ANY INFORMATION STORAGE AND RETRIEVAL SYSTEM. ANY UNAUTHORIZED REPRODUCTION OR TRANSMISSION IS STRICTLY PROHIBITED. THE DESIGN AND CONSTRUCTION OF THIS EQUIPMENT ARE SUBJECT TO CHANGE WITHOUT NOTICE.



BIAMP SYSTEMS (503) 641-7287
380-0250-00 PowerPak Plus+ 1/2/90

NOTES:
COMPONENTS SHOWN (W...) ARE RES. β A.

38000250.job - Tue Jan 02 06:21:51 1990

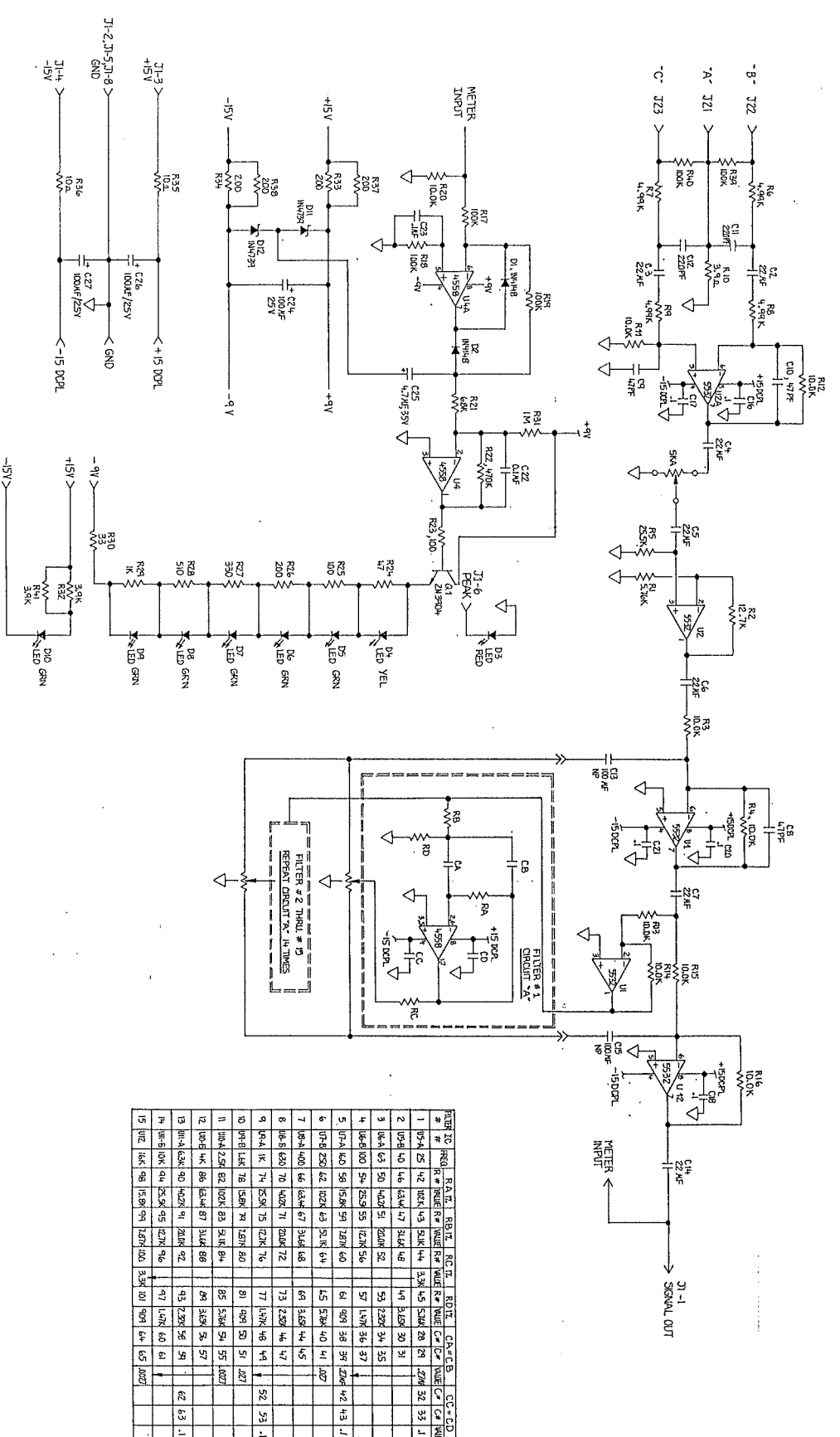
REV.	DATE	DESCRIPTION	BY	CHKD.

MODEL	TEXT	APPROVAL	DATE

NO.	DESCRIPTION	DATE

<p>BIAMP SYSTEMS, INC. 4400 N.W. 30TH AVENUE FORT LAUDERDALE, FL 33409 (305) 701-0250-00</p>	<p>POWERPAK PLUS+ COMPONENT LAYOUT DWG</p>
---	--

WARNING: The use of this equipment is limited to the use of the equipment as intended. The user must read and understand the instructions for use. This equipment is not to be used for medical or life support applications. The user must be aware that the use of this equipment is limited to the use of the equipment as intended. The user must be aware that the use of this equipment is limited to the use of the equipment as intended.

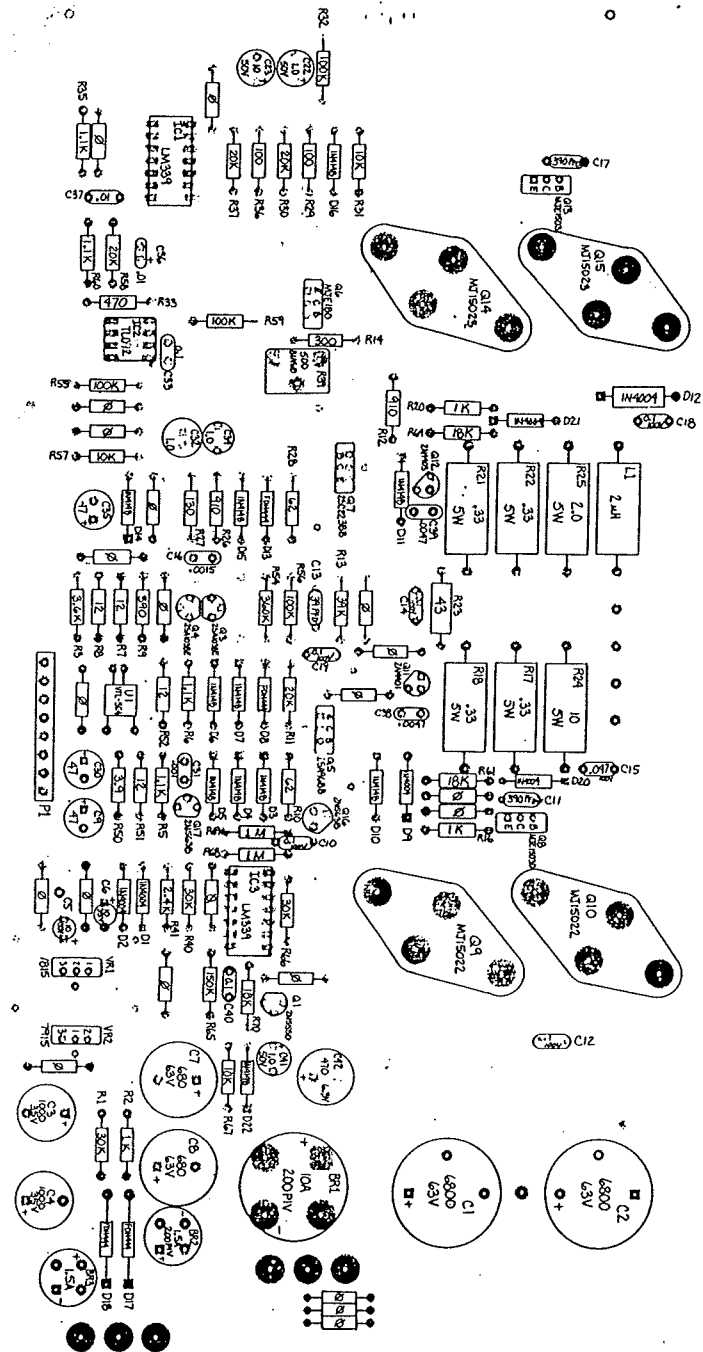


COMPONENT	VALUE	REF.	DESCRIPTION
1	10K	R1	RESISTOR
2	100K	R2	RESISTOR
3	100K	R3	RESISTOR
4	100K	R4	RESISTOR
5	100K	R5	RESISTOR
6	100K	R6	RESISTOR
7	100K	R7	RESISTOR
8	10K	R8	RESISTOR
9	10K	R9	RESISTOR
10	10K	R10	RESISTOR
11	10K	R11	RESISTOR
12	10K	R12	RESISTOR
13	10K	R13	RESISTOR
14	10K	R14	RESISTOR
15	10K	R15	RESISTOR
16	10K	R16	RESISTOR
17	10K	R17	RESISTOR
18	10K	R18	RESISTOR
19	10K	R19	RESISTOR
20	10K	R20	RESISTOR
21	10K	R21	RESISTOR
22	10K	R22	RESISTOR
23	10K	R23	RESISTOR
24	10K	R24	RESISTOR
25	10K	R25	RESISTOR
26	10K	R26	RESISTOR
27	10K	R27	RESISTOR
28	10K	R28	RESISTOR
29	10K	R29	RESISTOR
30	10K	R30	RESISTOR
31	10K	R31	RESISTOR
32	10K	R32	RESISTOR
33	10K	R33	RESISTOR
34	10K	R34	RESISTOR
35	10K	R35	RESISTOR
36	10K	R36	RESISTOR
37	10K	R37	RESISTOR
38	10K	R38	RESISTOR
39	10K	R39	RESISTOR
40	10K	R40	RESISTOR
41	10K	R41	RESISTOR
42	10K	R42	RESISTOR
43	10K	R43	RESISTOR
44	10K	R44	RESISTOR
45	10K	R45	RESISTOR
46	10K	R46	RESISTOR
47	10K	R47	RESISTOR
48	10K	R48	RESISTOR
49	10K	R49	RESISTOR
50	10K	R50	RESISTOR
51	10K	R51	RESISTOR
52	10K	R52	RESISTOR
53	10K	R53	RESISTOR
54	10K	R54	RESISTOR
55	10K	R55	RESISTOR
56	10K	R56	RESISTOR
57	10K	R57	RESISTOR
58	10K	R58	RESISTOR
59	10K	R59	RESISTOR
60	10K	R60	RESISTOR
61	10K	R61	RESISTOR
62	10K	R62	RESISTOR
63	10K	R63	RESISTOR
64	10K	R64	RESISTOR
65	10K	R65	RESISTOR
66	10K	R66	RESISTOR
67	10K	R67	RESISTOR
68	10K	R68	RESISTOR
69	10K	R69	RESISTOR
70	10K	R70	RESISTOR
71	10K	R71	RESISTOR
72	10K	R72	RESISTOR
73	10K	R73	RESISTOR
74	10K	R74	RESISTOR
75	10K	R75	RESISTOR
76	10K	R76	RESISTOR
77	10K	R77	RESISTOR
78	10K	R78	RESISTOR
79	10K	R79	RESISTOR
80	10K	R80	RESISTOR
81	10K	R81	RESISTOR
82	10K	R82	RESISTOR
83	10K	R83	RESISTOR
84	10K	R84	RESISTOR
85	10K	R85	RESISTOR
86	10K	R86	RESISTOR
87	10K	R87	RESISTOR
88	10K	R88	RESISTOR
89	10K	R89	RESISTOR
90	10K	R90	RESISTOR
91	10K	R91	RESISTOR
92	10K	R92	RESISTOR
93	10K	R93	RESISTOR
94	10K	R94	RESISTOR
95	10K	R95	RESISTOR
96	10K	R96	RESISTOR
97	10K	R97	RESISTOR
98	10K	R98	RESISTOR
99	10K	R99	RESISTOR
100	10K	R100	RESISTOR
101	10K	R101	RESISTOR
102	10K	R102	RESISTOR
103	10K	R103	RESISTOR
104	10K	R104	RESISTOR
105	10K	R105	RESISTOR
106	10K	R106	RESISTOR
107	10K	R107	RESISTOR
108	10K	R108	RESISTOR
109	10K	R109	RESISTOR
110	10K	R110	RESISTOR
111	10K	R111	RESISTOR
112	10K	R112	RESISTOR
113	10K	R113	RESISTOR
114	10K	R114	RESISTOR
115	10K	R115	RESISTOR

NO.	DESCRIPTION	QTY.	UNIT	PRICE	TOTAL
1	RESISTOR	100	10K	0.01	1.00
2	RESISTOR	100	100K	0.01	1.00
3	RESISTOR	100	100K	0.01	1.00
4	RESISTOR	100	100K	0.01	1.00
5	RESISTOR	100	100K	0.01	1.00
6	RESISTOR	100	100K	0.01	1.00
7	RESISTOR	100	100K	0.01	1.00
8	RESISTOR	100	10K	0.01	1.00
9	RESISTOR	100	10K	0.01	1.00
10	RESISTOR	100	10K	0.01	1.00
11	RESISTOR	100	10K	0.01	1.00
12	RESISTOR	100	10K	0.01	1.00
13	RESISTOR	100	10K	0.01	1.00
14	RESISTOR	100	10K	0.01	1.00
15	RESISTOR	100	10K	0.01	1.00
16	RESISTOR	100	10K	0.01	1.00
17	RESISTOR	100	10K	0.01	1.00
18	RESISTOR	100	10K	0.01	1.00
19	RESISTOR	100	10K	0.01	1.00
20	RESISTOR	100	10K	0.01	1.00
21	RESISTOR	100	10K	0.01	1.00
22	RESISTOR	100	10K	0.01	1.00
23	RESISTOR	100	10K	0.01	1.00
24	RESISTOR	100	10K	0.01	1.00
25	RESISTOR	100	10K	0.01	1.00
26	RESISTOR	100	10K	0.01	1.00
27	RESISTOR	100	10K	0.01	1.00
28	RESISTOR	100	10K	0.01	1.00
29	RESISTOR	100	10K	0.01	1.00
30	RESISTOR	100	10K	0.01	1.00
31	RESISTOR	100	10K	0.01	1.00
32	RESISTOR	100	10K	0.01	1.00
33	RESISTOR	100	10K	0.01	1.00
34	RESISTOR	100	10K	0.01	1.00
35	RESISTOR	100	10K	0.01	1.00
36	RESISTOR	100	10K	0.01	1.00
37	RESISTOR	100	10K	0.01	1.00
38	RESISTOR	100	10K	0.01	1.00
39	RESISTOR	100	10K	0.01	1.00
40	RESISTOR	100	10K	0.01	1.00
41	RESISTOR	100	10K	0.01	1.00
42	RESISTOR	100	10K	0.01	1.00
43	RESISTOR	100	10K	0.01	1.00
44	RESISTOR	100	10K	0.01	1.00
45	RESISTOR	100	10K	0.01	1.00
46	RESISTOR	100	10K	0.01	1.00
47	RESISTOR	100	10K	0.01	1.00
48	RESISTOR	100	10K	0.01	1.00
49	RESISTOR	100	10K	0.01	1.00
50	RESISTOR	100	10K	0.01	1.00
51	RESISTOR	100	10K	0.01	1.00
52	RESISTOR	100	10K	0.01	1.00
53	RESISTOR	100	10K	0.01	1.00
54	RESISTOR	100	10K	0.01	1.00
55	RESISTOR	100	10K	0.01	1.00
56	RESISTOR	100	10K	0.01	1.00
57	RESISTOR	100	10K	0.01	1.00
58	RESISTOR	100	10K	0.01	1.00
59	RESISTOR	100	10K	0.01	1.00
60	RESISTOR	100	10K	0.01	1.00
61	RESISTOR	100	10K	0.01	1.00
62	RESISTOR	100	10K	0.01	1.00
63	RESISTOR	100	10K	0.01	1.00
64	RESISTOR	100	10K	0.01	1.00
65	RESISTOR	100	10K	0.01	1.00
66	RESISTOR	100	10K	0.01	1.00
67	RESISTOR	100	10K	0.01	1.00
68	RESISTOR	100	10K	0.01	1.00
69	RESISTOR	100	10K	0.01	1.00
70	RESISTOR	100	10K	0.01	1.00
71	RESISTOR	100	10K	0.01	1.00
72	RESISTOR	100	10K	0.01	1.00
73	RESISTOR	100	10K	0.01	1.00
74	RESISTOR	100	10K	0.01	1.00
75	RESISTOR	100	10K	0.01	1.00
76	RESISTOR	100	10K	0.01	1.00
77	RESISTOR	100	10K	0.01	1.00
78	RESISTOR	100	10K	0.01	1.00
79	RESISTOR	100	10K	0.01	1.00
80	RESISTOR	100	10K	0.01	1.00
81	RESISTOR	100	10K	0.01	1.00
82	RESISTOR	100	10K	0.01	1.00
83	RESISTOR	100	10K	0.01	1.00
84	RESISTOR	100	10K	0.01	1.00
85	RESISTOR	100	10K	0.01	1.00
86	RESISTOR	100	10K	0.01	1.00
87	RESISTOR	100	10K	0.01	1.00
88	RESISTOR	100	10K	0.01	1.00
89	RESISTOR	100	10K	0.01	1.00
90	RESISTOR	100	10K	0.01	1.00
91	RESISTOR	100	10K	0.01	1.00
92	RESISTOR	100	10K	0.01	1.00
93	RESISTOR	100	10K	0.01	1.00
94	RESISTOR	100	10K	0.01	1.00
95	RESISTOR	100	10K	0.01	1.00
96	RESISTOR	100	10K	0.01	1.00
97	RESISTOR	100	10K	0.01	1.00
98	RESISTOR	100	10K	0.01	1.00
99	RESISTOR	100	10K	0.01	1.00
100	RESISTOR	100	10K	0.01	1.00

A B C D E F G H

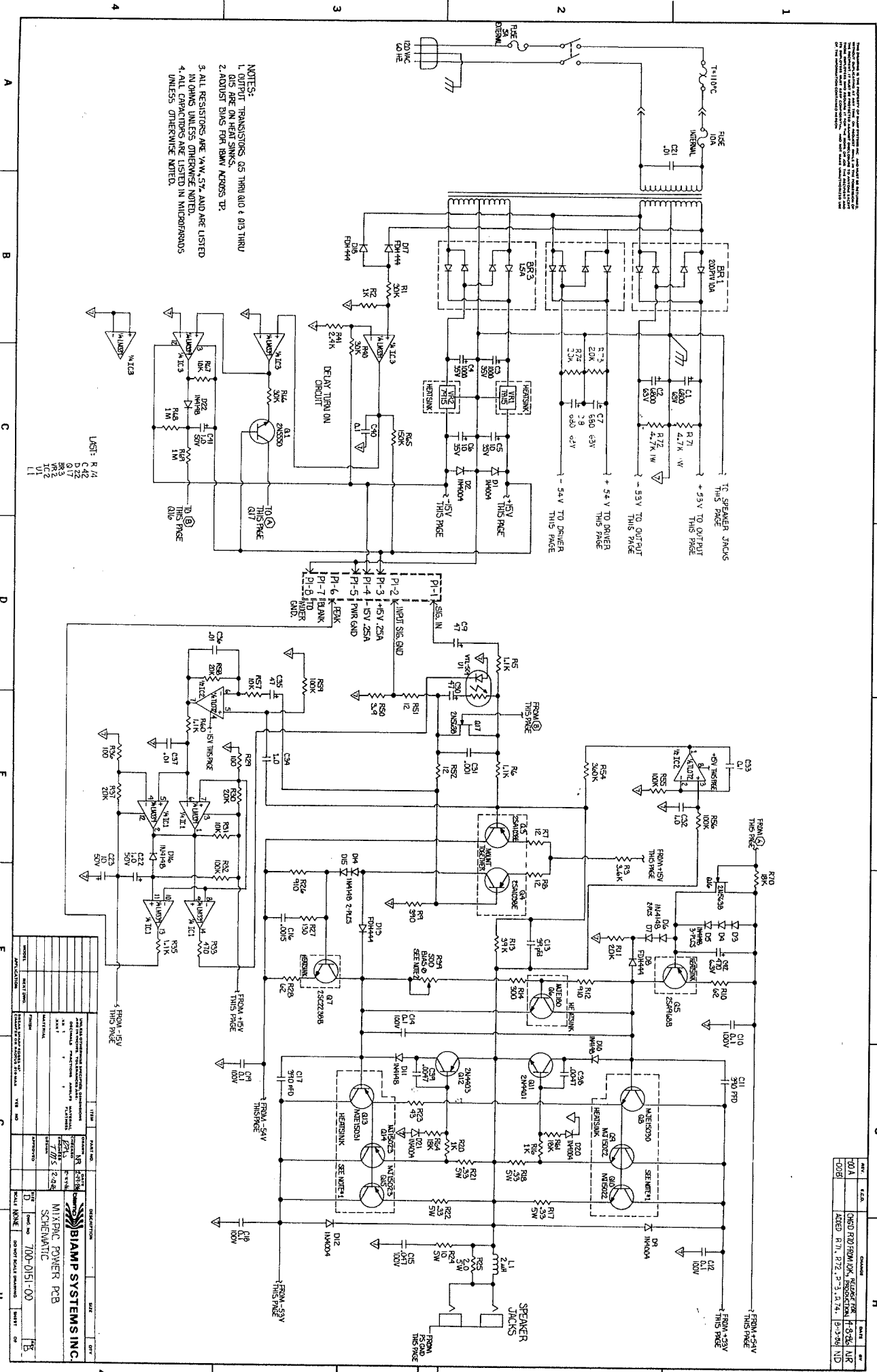
REV. 1.00



01A
 DESIGNED BY
 DATE

BIAMP SYSTEMS INC
 MIXPAT + 250 W
 701-051-00

Resistor values are given in ohms unless otherwise indicated. Capacitor values are given in microfarads unless otherwise indicated. All components are standard values unless otherwise indicated. All components are standard values unless otherwise indicated.



- NOTES:
1. OUTPUT TRANSISTORS Q5 THRU Q10 & Q13 THRU Q16 ARE ON HEAT SINKS.
 2. ADJUST DIALS FOR TRIM POINTS TP.
 3. ALL RESISTORS ARE 1/4W, 5%, AND ARE LISTED IN OHMS UNLESS OTHERWISE NOTED.
 4. ALL CAPACITORS ARE LISTED IN MICROFARADS UNLESS OTHERWISE NOTED.

COMPONENT LIST:

QTY	REF	DESCRIPTION
1	R1	10K
1	R2	10K
1	R3	10K
1	R4	10K
1	R5	10K
1	R6	10K
1	R7	10K
1	R8	10K
1	R9	10K
1	R10	10K
1	R11	10K
1	R12	10K
1	R13	10K
1	R14	10K
1	R15	10K
1	R16	10K
1	R17	10K
1	R18	10K
1	R19	10K
1	R20	10K
1	R21	10K
1	R22	10K
1	R23	10K
1	R24	10K
1	R25	10K
1	R26	10K
1	R27	10K
1	R28	10K
1	R29	10K
1	R30	10K
1	R31	10K
1	R32	10K
1	R33	10K
1	R34	10K
1	R35	10K
1	R36	10K
1	R37	10K
1	R38	10K
1	R39	10K
1	R40	10K
1	R41	10K
1	R42	10K
1	R43	10K
1	R44	10K
1	R45	10K
1	R46	10K
1	R47	10K
1	R48	10K
1	R49	10K
1	R50	10K
1	R51	10K
1	R52	10K
1	R53	10K
1	R54	10K
1	R55	10K
1	R56	10K
1	R57	10K
1	R58	10K
1	R59	10K
1	R60	10K
1	R61	10K
1	R62	10K
1	R63	10K
1	R64	10K
1	R65	10K
1	R66	10K
1	R67	10K
1	R68	10K
1	R69	10K
1	R70	10K

COMPONENT LIST (continued):

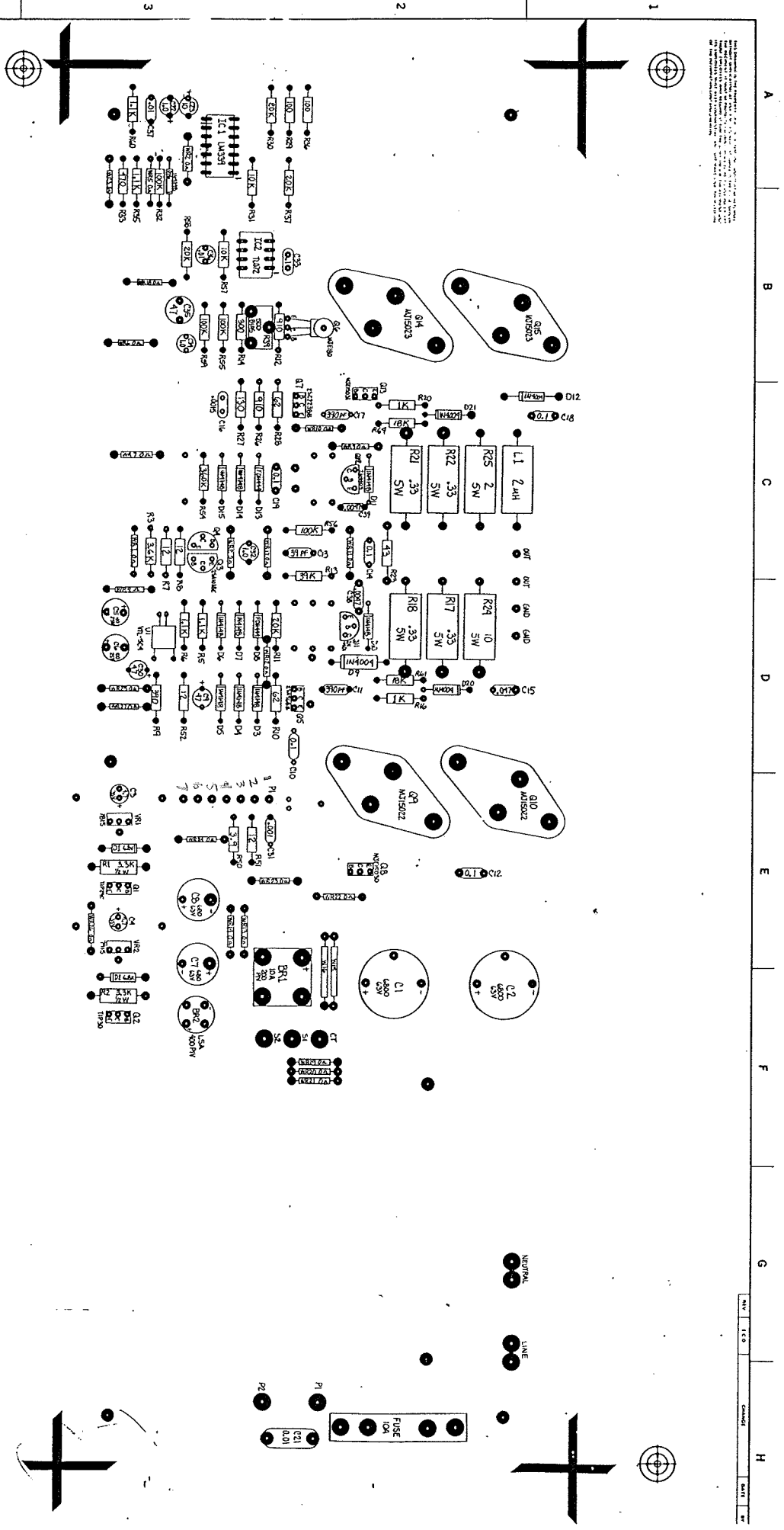
QTY	REF	DESCRIPTION
1	C1	100µF
1	C2	100µF
1	C3	100µF
1	C4	100µF
1	C5	100µF
1	C6	100µF
1	C7	100µF
1	C8	100µF
1	C9	100µF
1	C10	100µF
1	C11	100µF
1	D1	1N4001
1	D2	1N4001
1	D3	1N4001
1	D4	1N4001
1	D5	1N4001
1	D6	1N4001
1	D7	1N4001
1	D8	1N4001
1	D9	1N4001
1	D10	1N4001
1	D11	1N4001
1	D12	1N4001
1	IC1	741
1	IC2	741
1	IC3	741
1	IC4	741
1	IC5	741
1	BR1	6BR10A
1	BR2	6BR3 LSA
1	Q1	2N4003
1	Q2	2N4003
1	Q3	2N4003
1	Q4	2N4003
1	Q5	2N4003
1	Q6	2N4003
1	Q7	2N4003
1	Q8	2N4003
1	Q9	2N4003
1	Q10	2N4003
1	Q11	2N4003
1	Q12	2N4003
1	Q13	2N4003
1	Q14	2N4003
1	Q15	2N4003
1	Q16	2N4003

BIAMP SYSTEMS INC. TITLE: MIX-FRC POWER PCB SCHEMATIC

REV	DATE	CHANGE	BY
001A			
001B	08-17-72	P. 3, 8, 74	B-3-74

DATE: 700-0151-00

THIS DRAWING IS THE PROPERTY OF BIAMP SYSTEMS INC. IT IS TO BE USED ONLY FOR THE PROJECT AND QUANTITY SPECIFIED THEREON. IT IS NOT TO BE REPRODUCED, COPIED, OR TRANSMITTED IN ANY FORM OR BY ANY MEANS, ELECTRONIC OR MECHANICAL, INCLUDING PHOTOCOPYING, RECORDING, OR BY ANY INFORMATION STORAGE AND RETRIEVAL SYSTEM, WITHOUT THE WRITTEN PERMISSION OF BIAMP SYSTEMS INC.



NOTES:
 1. ALL RESISTOR VALUES ARE GIVEN IN OHMS UNLESS OTHERWISE SPECIFIED.
 2. ALL CAPACITOR VALUES ARE GIVEN IN MICROFARADS UNLESS OTHERWISE SPECIFIED.

DATE	REV	BY	CHKD
10-11-81	1	WJ	WJ
DESCRIPTION			
UNIT 776			
COMPONENT LAYOUT (A&P)			
OWNER: RIB			
DATE: 10-10-81			
BY: WJ			
CHKD: WJ			
APP'D: WJ			

For S/N# up to 596



BIAMP SYSTEMS INC