

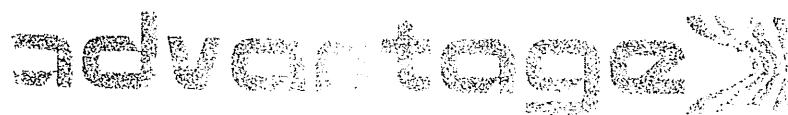


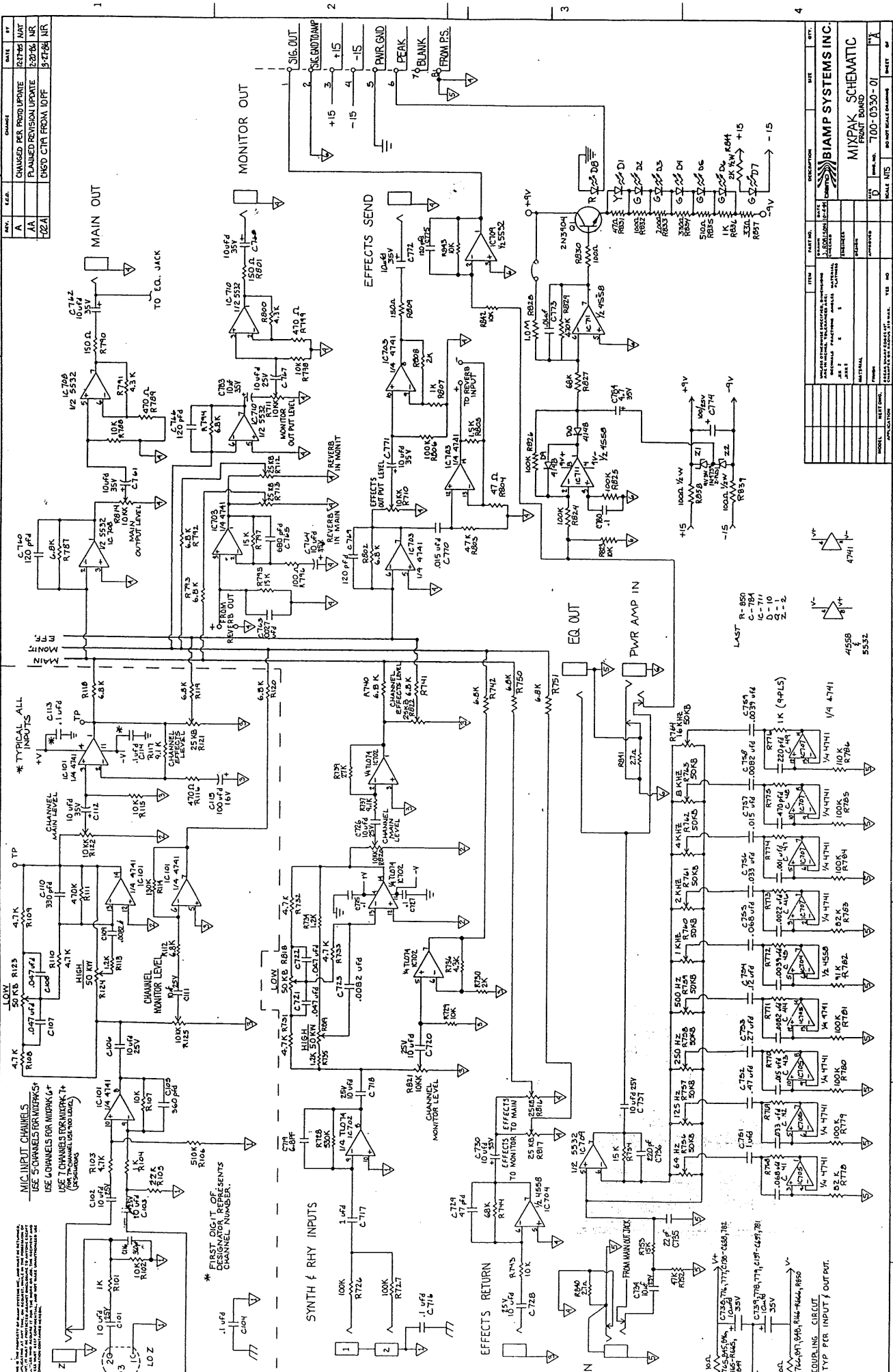
Biamp Systems
14270 N.W. Science Park Drive
Portland, Oregon 97229

Tel: 503.641.7287
Telex: 4932491 BIAMPUI
Fax: 503.626.0281

MIXPAK ALL MODELS

SCHEMATIC





REV.	DATE	DESCRIPTION	BY
1		CHANGED PER BOARD UPDATE	RE/MS
2		PLANNED REVISION UPDATE	NR
3		CHANGED FROM 10PF	NR
4		CHANGED FROM 10PF	NR

REV.	DATE	DESCRIPTION	BY
1		MIKPAK SCHEMATIC	RE/MS
2		PLANNED REVISION UPDATE	NR
3		CHANGED FROM 10PF	NR
4		CHANGED FROM 10PF	NR

REV.	DATE	DESCRIPTION	BY
1		MIKPAK SCHEMATIC	RE/MS
2		PLANNED REVISION UPDATE	NR
3		CHANGED FROM 10PF	NR
4		CHANGED FROM 10PF	NR

REV.	DATE	DESCRIPTION	BY
1		MIKPAK SCHEMATIC	RE/MS
2		PLANNED REVISION UPDATE	NR
3		CHANGED FROM 10PF	NR
4		CHANGED FROM 10PF	NR

REV.	DATE	DESCRIPTION	BY
1		MIKPAK SCHEMATIC	RE/MS
2		PLANNED REVISION UPDATE	NR
3		CHANGED FROM 10PF	NR
4		CHANGED FROM 10PF	NR

QTY PER ASSY		ITEM NO.	PART NUMBER	DESCRIPTION	UNIT	REVISION	DATE
UNLESS OTHERWISE SPECIFIED							
DIM. ARE IN INCHES							
TOL							
ANGLE							
FINISH							
SCALE N.T.S.							
REL DATE							
SHT							
OF							

LIST OF MATERIALS

Diagno

COMPONENT LAYOUT

MIXPAK 6+

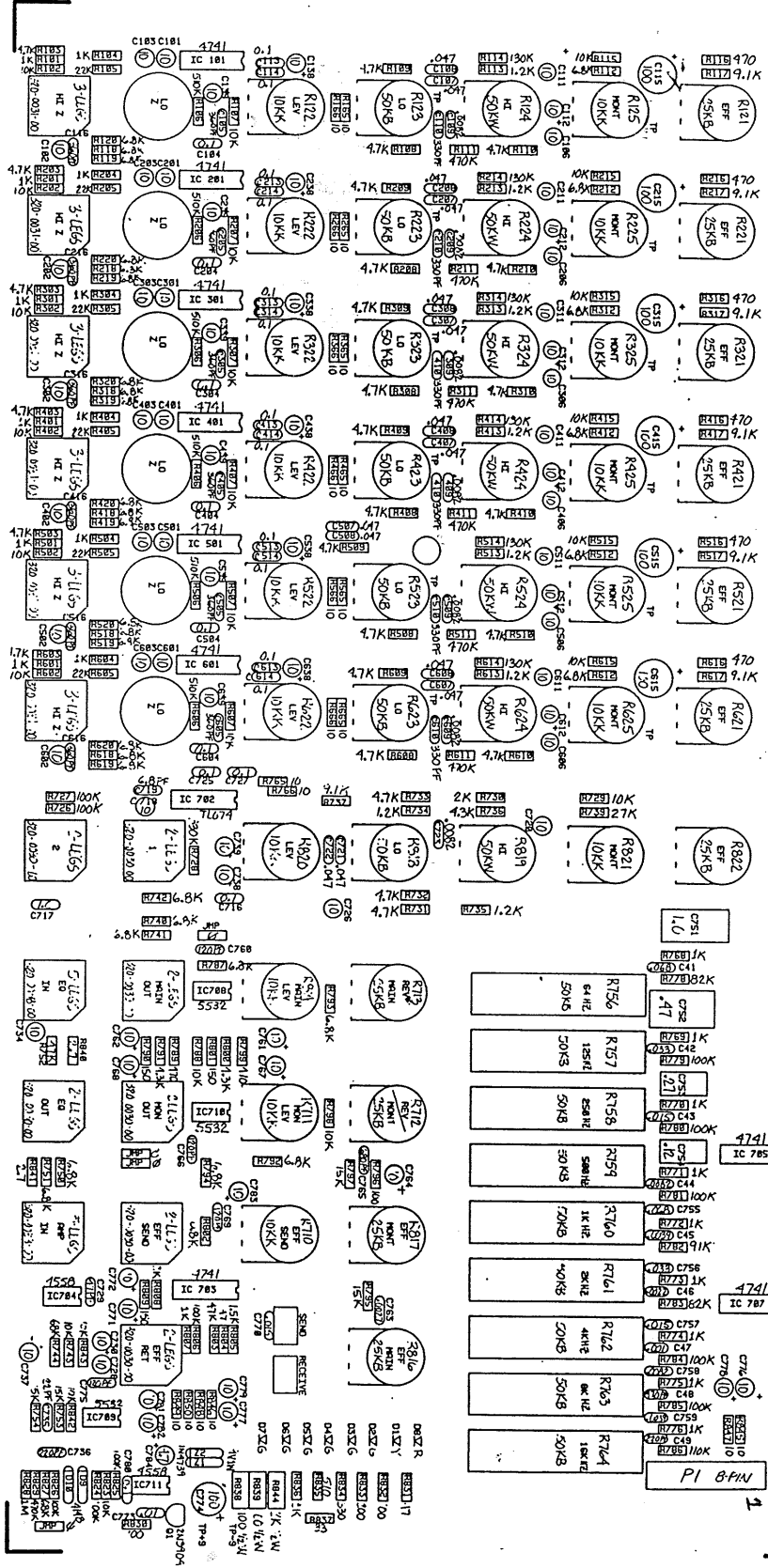
701-0330-01

SCALE N.T.S.

REL DATE

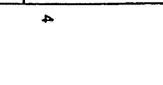
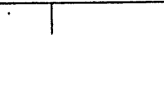
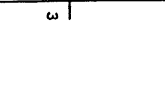
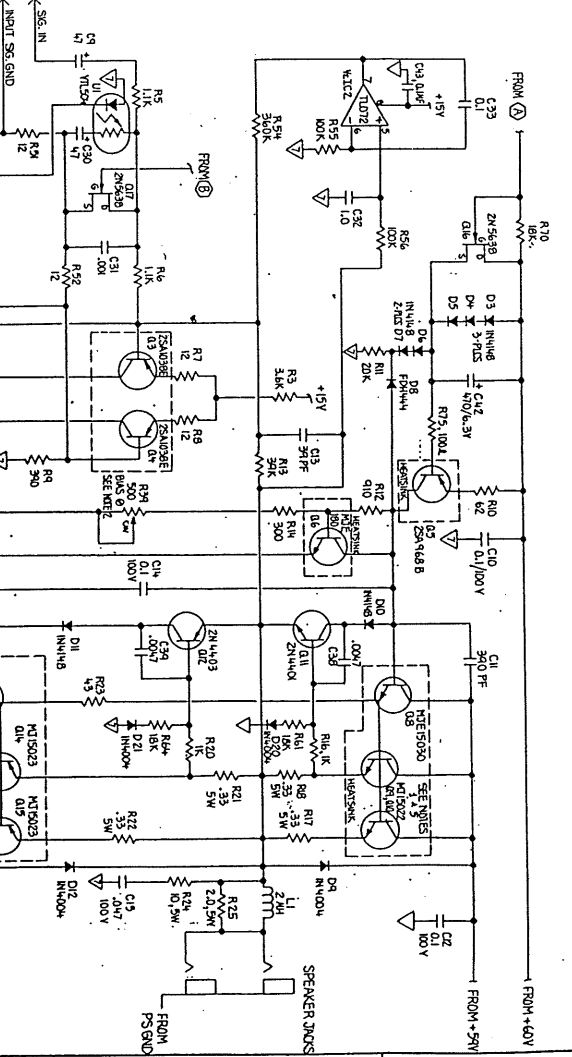
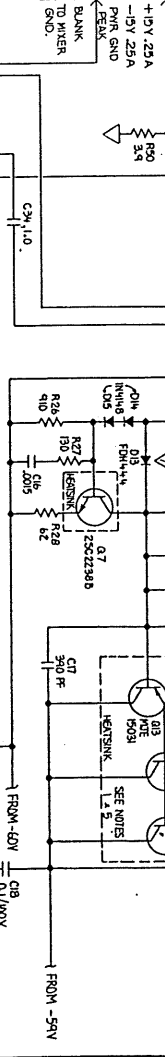
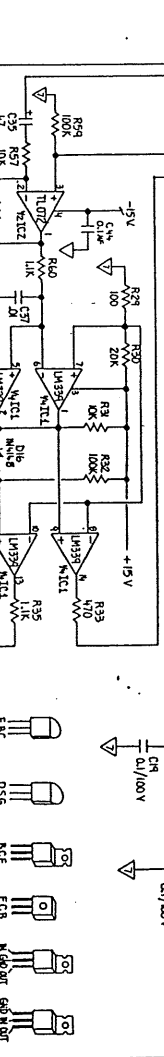
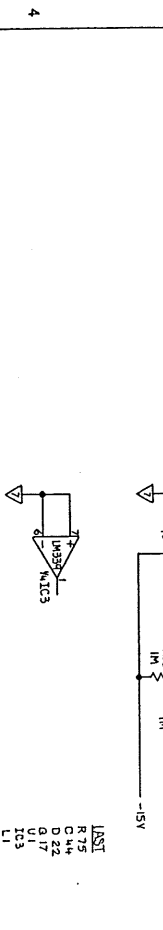
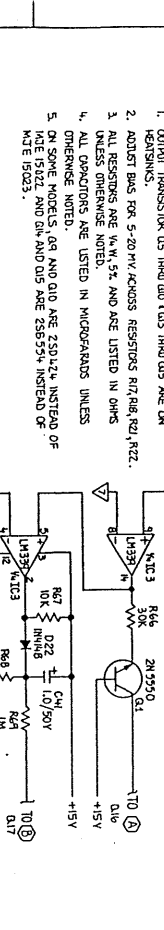
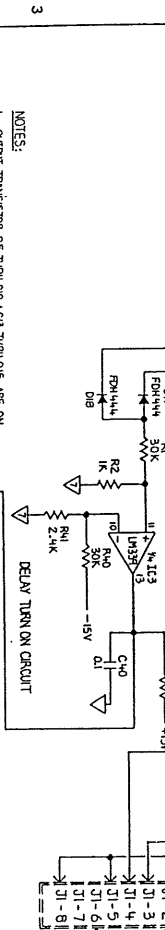
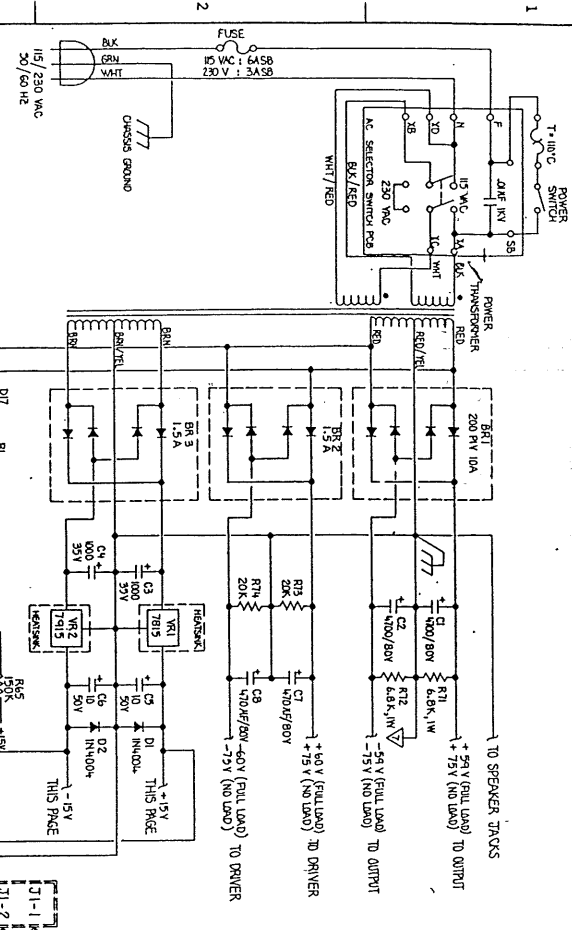
SHT

OF



PI 8-PIN

1. THE POWER SUPPLY IS A FULL BRIDGE RECTIFIER WITH A 1000 μF 50V ELECTROLYTIC CAPACITOR IN PARALLEL WITH THE AC INPUT. THE AC INPUT IS 115 VAC. THE POWER SUPPLY IS A FULL BRIDGE RECTIFIER WITH A 1000 μF 50V ELECTROLYTIC CAPACITOR IN PARALLEL WITH THE AC INPUT. THE AC INPUT IS 115 VAC.



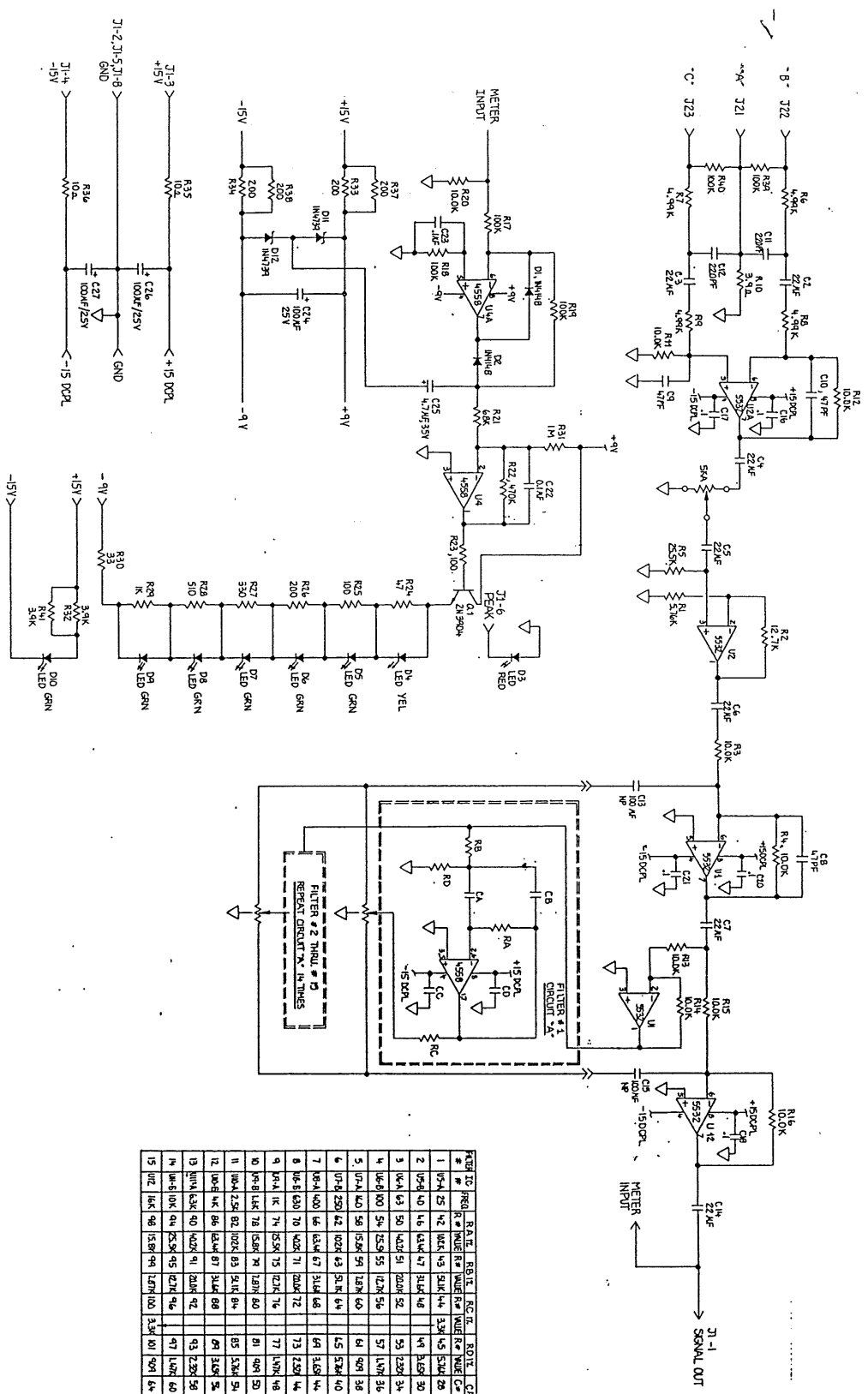
- NOTES:
1. OUTPUT TRANSISTOR Q3 THRU Q15 ARE ON RESISTORS.
 2. ADJUST BIAS FOR 5-20 MV ACROSS RESISTORS R17, R8, R9, R12.
 3. ALL RESISTORS ARE 1/4 W, 5% AND ARE LISTED IN OHMS UNLESS OTHERWISE NOTED.
 4. ALL DIMENSIONS ARE LISTED IN MICRONS UNLESS OTHERWISE NOTED.
 5. ON SOME MODELS, Q8 AND Q15 ARE 2N3012, INSTEAD OF MTE 5023.

- LIST
- R 75
 - R 76
 - R 77
 - R 78
 - R 79
 - R 80
 - R 81
 - R 82
 - R 83
 - R 84
 - R 85
 - R 86
 - R 87
 - R 88
 - R 89
 - R 90
 - R 91
 - R 92
 - R 93
 - R 94
 - R 95
 - R 96
 - R 97
 - R 98
 - R 99
 - R 100
 - R 101
 - R 102
 - R 103
 - R 104
 - R 105
 - R 106
 - R 107
 - R 108
 - R 109
 - R 110
 - R 111
 - R 112
 - R 113
 - R 114
 - R 115
 - R 116
 - R 117
 - R 118
 - R 119
 - R 120
 - R 121
 - R 122
 - R 123
 - R 124
 - R 125
 - R 126
 - R 127
 - R 128
 - R 129
 - R 130
 - R 131
 - R 132
 - R 133
 - R 134
 - R 135
 - R 136
 - R 137
 - R 138
 - R 139
 - R 140
 - R 141
 - R 142
 - R 143
 - R 144
 - R 145
 - R 146
 - R 147
 - R 148
 - R 149
 - R 150
 - R 151
 - R 152
 - R 153
 - R 154
 - R 155
 - R 156
 - R 157
 - R 158
 - R 159
 - R 160
 - R 161
 - R 162
 - R 163
 - R 164
 - R 165
 - R 166
 - R 167
 - R 168
 - R 169
 - R 170
 - R 171
 - R 172
 - R 173
 - R 174
 - R 175
 - R 176
 - R 177
 - R 178
 - R 179
 - R 180
 - R 181
 - R 182
 - R 183
 - R 184
 - R 185
 - R 186
 - R 187
 - R 188
 - R 189
 - R 190
 - R 191
 - R 192
 - R 193
 - R 194
 - R 195
 - R 196
 - R 197
 - R 198
 - R 199
 - R 200
 - R 201
 - R 202
 - R 203
 - R 204
 - R 205
 - R 206
 - R 207
 - R 208
 - R 209
 - R 210
 - R 211
 - R 212
 - R 213
 - R 214
 - R 215
 - R 216
 - R 217
 - R 218
 - R 219
 - R 220
 - R 221
 - R 222
 - R 223
 - R 224
 - R 225
 - R 226
 - R 227
 - R 228
 - R 229
 - R 230
 - R 231
 - R 232
 - R 233
 - R 234
 - R 235
 - R 236
 - R 237
 - R 238
 - R 239
 - R 240
 - R 241
 - R 242
 - R 243
 - R 244
 - R 245
 - R 246
 - R 247
 - R 248
 - R 249
 - R 250
 - R 251
 - R 252
 - R 253
 - R 254
 - R 255
 - R 256
 - R 257
 - R 258
 - R 259
 - R 260
 - R 261
 - R 262
 - R 263
 - R 264
 - R 265
 - R 266
 - R 267
 - R 268
 - R 269
 - R 270
 - R 271
 - R 272
 - R 273
 - R 274
 - R 275
 - R 276
 - R 277
 - R 278
 - R 279
 - R 280
 - R 281
 - R 282
 - R 283
 - R 284
 - R 285
 - R 286
 - R 287
 - R 288
 - R 289
 - R 290
 - R 291
 - R 292
 - R 293
 - R 294
 - R 295
 - R 296
 - R 297
 - R 298
 - R 299
 - R 300
 - R 301
 - R 302
 - R 303
 - R 304
 - R 305
 - R 306
 - R 307
 - R 308
 - R 309
 - R 310
 - R 311
 - R 312
 - R 313
 - R 314
 - R 315
 - R 316
 - R 317
 - R 318
 - R 319
 - R 320
 - R 321
 - R 322
 - R 323
 - R 324
 - R 325
 - R 326
 - R 327
 - R 328
 - R 329
 - R 330
 - R 331
 - R 332
 - R 333
 - R 334
 - R 335
 - R 336
 - R 337
 - R 338
 - R 339
 - R 340
 - R 341
 - R 342
 - R 343
 - R 344
 - R 345
 - R 346
 - R 347
 - R 348
 - R 349
 - R 350
 - R 351
 - R 352
 - R 353
 - R 354
 - R 355
 - R 356
 - R 357
 - R 358
 - R 359
 - R 360
 - R 361
 - R 362
 - R 363
 - R 364
 - R 365
 - R 366
 - R 367
 - R 368
 - R 369
 - R 370
 - R 371
 - R 372
 - R 373
 - R 374
 - R 375
 - R 376
 - R 377
 - R 378
 - R 379
 - R 380
 - R 381
 - R 382
 - R 383
 - R 384
 - R 385
 - R 386
 - R 387
 - R 388
 - R 389
 - R 390
 - R 391
 - R 392
 - R 393
 - R 394
 - R 395
 - R 396
 - R 397
 - R 398
 - R 399
 - R 400
 - R 401
 - R 402
 - R 403
 - R 404
 - R 405
 - R 406
 - R 407
 - R 408
 - R 409
 - R 410
 - R 411
 - R 412
 - R 413
 - R 414
 - R 415
 - R 416
 - R 417
 - R 418
 - R 419
 - R 420
 - R 421
 - R 422
 - R 423
 - R 424
 - R 425
 - R 426
 - R 427
 - R 428
 - R 429
 - R 430
 - R 431
 - R 432
 - R 433
 - R 434
 - R 435
 - R 436
 - R 437
 - R 438
 - R 439
 - R 440
 - R 441
 - R 442
 - R 443
 - R 444
 - R 445
 - R 446
 - R 447
 - R 448
 - R 449
 - R 450
 - R 451
 - R 452
 - R 453
 - R 454
 - R 455
 - R 456
 - R 457
 - R 458
 - R 459
 - R 460
 - R 461
 - R 462
 - R 463
 - R 464
 - R 465
 - R 466
 - R 467
 - R 468
 - R 469
 - R 470
 - R 471
 - R 472
 - R 473
 - R 474
 - R 475
 - R 476
 - R 477
 - R 478
 - R 479
 - R 480
 - R 481
 - R 482
 - R 483
 - R 484
 - R 485
 - R 486
 - R 487
 - R 488
 - R 489
 - R 490
 - R 491
 - R 492
 - R 493
 - R 494
 - R 495
 - R 496
 - R 497
 - R 498
 - R 499
 - R 500
 - R 501
 - R 502
 - R 503
 - R 504
 - R 505
 - R 506
 - R 507
 - R 508
 - R 509
 - R 510
 - R 511
 - R 512
 - R 513
 - R 514
 - R 515
 - R 516
 - R 517
 - R 518
 - R 519
 - R 520
 - R 521
 - R 522
 - R 523
 - R 524
 - R 525
 - R 526
 - R 527
 - R 528
 - R 529
 - R 530
 - R 531
 - R 532
 - R 533
 - R 534
 - R 535
 - R 536
 - R 537
 - R 538
 - R 539
 - R 540
 - R 541
 - R 542
 - R 543
 - R 544
 - R 545
 - R 546
 - R 547
 - R 548
 - R 549
 - R 550
 - R 551
 - R 552
 - R 553
 - R 554
 - R 555
 - R 556
 - R 557
 - R 558
 - R 559
 - R 560
 - R 561
 - R 562
 - R 563
 - R 564
 - R 565
 - R 566
 - R 567
 - R 568
 - R 569
 - R 570
 - R 571
 - R 572
 - R 573
 - R 574
 - R 575
 - R 576
 - R 577
 - R 578
 - R 579
 - R 580
 - R 581
 - R 582
 - R 583
 - R 584
 - R 585
 - R 586
 - R 587
 - R 588
 - R 589
 - R 590
 - R 591
 - R 592
 - R 593
 - R 594
 - R 595
 - R 596
 - R 597
 - R 598
 - R 599
 - R 600
 - R 601
 - R 602
 - R 603
 - R 604
 - R 605
 - R 606
 - R 607
 - R 608
 - R 609
 - R 610
 - R 611
 - R 612
 - R 613
 - R 614
 - R 615
 - R 616
 - R 617
 - R 618
 - R 619
 - R 620
 - R 621
 - R 622
 - R 623
 - R 624
 - R 625
 - R 626
 - R 627
 - R 628
 - R 629
 - R 630
 - R 631
 - R 632
 - R 633
 - R 634
 - R 635
 - R 636
 - R 637
 - R 638
 - R 639
 - R 640
 - R 641
 - R 642
 - R 643
 - R 644
 - R 645
 - R 646
 - R 647
 - R 648
 - R 649
 - R 650
 - R 651
 - R 652
 - R 653
 - R 654
 - R 655
 - R 656
 - R 657
 - R 658
 - R 659
 - R 660
 - R 661
 - R 662
 - R 663
 - R 664
 - R 665
 - R 666
 - R 667
 - R 668
 - R 669
 - R 670
 - R 671
 - R 672
 - R 673
 - R 674
 - R 675
 - R 676
 - R 677
 - R 678
 - R 679
 - R 680
 - R 681
 - R 682
 - R 683
 - R 684
 - R 685
 - R 686
 - R 687
 - R 688
 - R 689
 - R 690
 - R 691
 - R 692
 - R 693
 - R 694
 - R 695
 - R 696
 - R 697
 - R 698
 - R 699
 - R 700
 - R 701
 - R 702
 - R 703
 - R 704
 - R 705
 - R 706
 - R 707
 - R 708
 - R 709
 - R 710
 - R 711
 - R 712
 - R 713
 - R 714
 - R 715
 - R 716
 - R 717
 - R 718
 - R 719
 - R 720
 - R 721
 - R 722
 - R 723
 - R 724
 - R 725
 - R 726
 - R 727
 - R 728
 - R 729
 - R 730
 - R 731
 - R 732
 - R 733
 - R 734
 - R 735
 - R 736
 - R 737
 - R 738
 - R 739
 - R 740
 - R 741
 - R 742
 - R 743
 - R 744
 - R 745
 - R 746
 - R 747
 - R 748
 - R 749
 - R 750
 - R 751
 - R 752
 - R 753
 - R 754
 - R 755
 - R 756
 - R 757
 - R 758
 - R 759
 - R 760
 - R 761
 - R 762
 - R 763
 - R 764
 - R 765
 - R 766
 - R 767
 - R 768
 - R 769
 - R 770
 - R 771
 - R 772
 - R 773
 - R 774
 - R 775
 - R 776
 - R 777
 - R 778
 - R 779
 - R 780
 - R 781
 - R 782
 - R 783
 - R 784
 - R 785
 - R 786
 - R 787
 - R 788
 - R 789
 - R 790
 - R 791
 - R 792
 - R 793
 - R 794
 - R 795
 - R 796
 - R 797
 - R 798
 - R 799
 - R 800
 - R 801
 - R 802
 - R 803
 - R 804
 - R 805
 - R 806
 - R 807
 - R 808
 - R 809
 - R 810
 - R 811
 - R 812
 - R 813
 - R 814
 - R 815
 - R 816
 - R 817
 - R 818
 - R 819
 - R 820
 - R 821
 - R 822
 - R 823
 - R 824
 - R 825
 - R 826
 - R 827
 - R 828
 - R 829
 - R 830
 - R 831
 - R 832
 - R 833
 - R 834
 - R 835
 - R 836
 - R 837
 - R 838
 - R 839
 - R 840
 - R 841
 - R 842
 - R 843
 - R 844
 - R 845
 - R 846
 - R 847
 - R 848
 - R 849
 - R 850
 - R 851
 - R 852
 - R 853
 - R 854
 - R 855
 - R 856
 - R 857
 - R 858
 - R 859
 - R 860
 - R 861
 - R 862
 - R 863
 - R 864
 - R 865
 - R 866
 - R 867
 - R 868
 - R 869
 - R 870
 - R 871
 - R 872
 - R 873
 - R 874
 - R 875
 - R 876
 - R 877
 - R 878
 - R 879
 - R 880
 - R 881
 - R 882
 - R 883
 - R 884
 - R 885
 - R 886
 - R 887
 - R 888
 - R 889
 - R 890
 - R 891
 - R 892
 - R 893
 - R 894
 - R 895
 - R 896
 - R 897
 - R 898
 - R 899
 - R 900
 - R 901
 - R 902
 - R 903
 - R 904
 - R 905
 - R 906
 - R 907
 - R 908
 - R 909
 - R 910
 - R 911
 - R 912
 - R 913
 - R 914
 - R 915
 - R 916
 - R 917
 - R 918
 - R 919
 - R 920
 - R 921
 - R 922
 - R 923
 - R 924
 - R 925
 - R 926
 - R 927
 - R 928
 - R 929
 - R 930
 - R 931
 - R 932
 - R 933
 - R 934
 - R 935
 - R 936
 - R 937
 - R 938
 - R 939
 - R 940
 - R 941
 - R 942
 - R 943
 - R 944
 - R 945
 - R 946
 - R 947
 - R 948
 - R 949
 - R 950
 - R 951
 - R 952
 - R 953
 - R 954
 - R 955
 - R 956
 - R 957
 - R 958
 - R 959
 - R 960
 - R 961
 - R 962
 - R 963
 - R 964
 - R 965
 - R 966
 - R 967
 - R 968
 - R 969
 - R 970
 - R 971
 - R 972
 - R 973
 - R 974
 - R 975
 - R 976
 - R 977
 - R 978
 - R 979
 - R 980
 - R 981
 - R 982
 - R 983
 - R 984
 - R 985
 - R 986
 - R 987
 - R 988
 - R 989
 - R 990
 - R 991
 - R 992
 - R 993
 - R 994
 - R 995
 - R 996
 - R 997
 - R 998
 - R 999
 - R 1000

Q	Q1	Q2	Q3	Q4	Q5	Q6	Q7	Q8	Q9	Q10	Q11	Q12	Q13	Q14	Q15
2N3055	2N3055	2N3055	2N3055	2N3055	2N3055	2N3055	2N3055	2N3055	2N3055	2N3055	2N3055	2N3055	2N3055	2N3055	2N3055

C	C1	C2	C3	C4	C5	C6	C7	C8	C9	C10	C11	C12	C13	C14	C15	C16	C17	C18	C19	C20	C21	C22	C23	C24	C25	C26	C27	C28	C29	C30	C31	C32	C33	C34	C35	C36	C37	C38	C39	C40	C41	C42	C43	C44	C45	C46	C47	C48	C49	C50	C51	C52	C53	C54	C55	C56	C57	C58	C59	C60	C61	C62	C63	C64	C65	C66	C67	C68	C69	C70	C71
---	----	----	----	----	----	----	----	----	----	-----	-----	-----	-----	-----	-----	-----	-----	-----	-----	-----	-----	-----	-----	-----	-----	-----	-----	-----	-----	-----	-----	-----	-----	-----	-----	-----	-----	-----	-----	-----	-----	-----	-----	-----	-----	-----	-----	-----	-----	-----	-----	-----	-----	-----	-----	-----	-----	-----	-----	-----	-----	-----	-----	-----	-----	-----	-----	-----	-----	-----	-----

THIS SCHEMATIC IS THE PROPERTY OF BIAAMP, INC. IT IS TO BE USED ONLY FOR THE EQUIPMENT SPECIFICALLY IDENTIFIED HEREON. IT IS NOT TO BE REPRODUCED OR TRANSMITTED IN ANY FORM OR BY ANY MEANS, ELECTRONIC OR MECHANICAL, INCLUDING PHOTOCOPYING, RECORDING, OR BY ANY INFORMATION STORAGE AND RETRIEVAL SYSTEM, WITHOUT THE WRITTEN PERMISSION OF BIAAMP, INC.



PN#	IC	PN#	R	RATE	RES. T.	RC. T.	RO. T.	C _A = C _B	C _A = C _B	C _A = C _B
1	U1A	42	100K	47	50K	47	50K	20	33	33
2	U1B	42	100K	47	50K	47	50K	20	33	33
3	U1C	42	100K	47	50K	47	50K	20	33	33
4	U1D	50	100K	50	100K	50	100K	34	35	
5	U1E	50	100K	50	100K	50	100K	34	37	
6	U1F	50	100K	50	100K	50	100K	34	37	
7	U1G	50	100K	50	100K	50	100K	34	37	
8	U1H	50	100K	50	100K	50	100K	34	37	
9	U1I	70	100K	70	100K	70	100K	46	47	
10	U1J	70	100K	70	100K	70	100K	46	47	
11	U1K	70	100K	70	100K	70	100K	46	47	
12	U1L	82	100K	82	100K	82	100K	54	57	
13	U1M	82	100K	82	100K	82	100K	54	57	
14	U1N	82	100K	82	100K	82	100K	54	57	
15	U1O	94	100K	94	100K	94	100K	64	64	

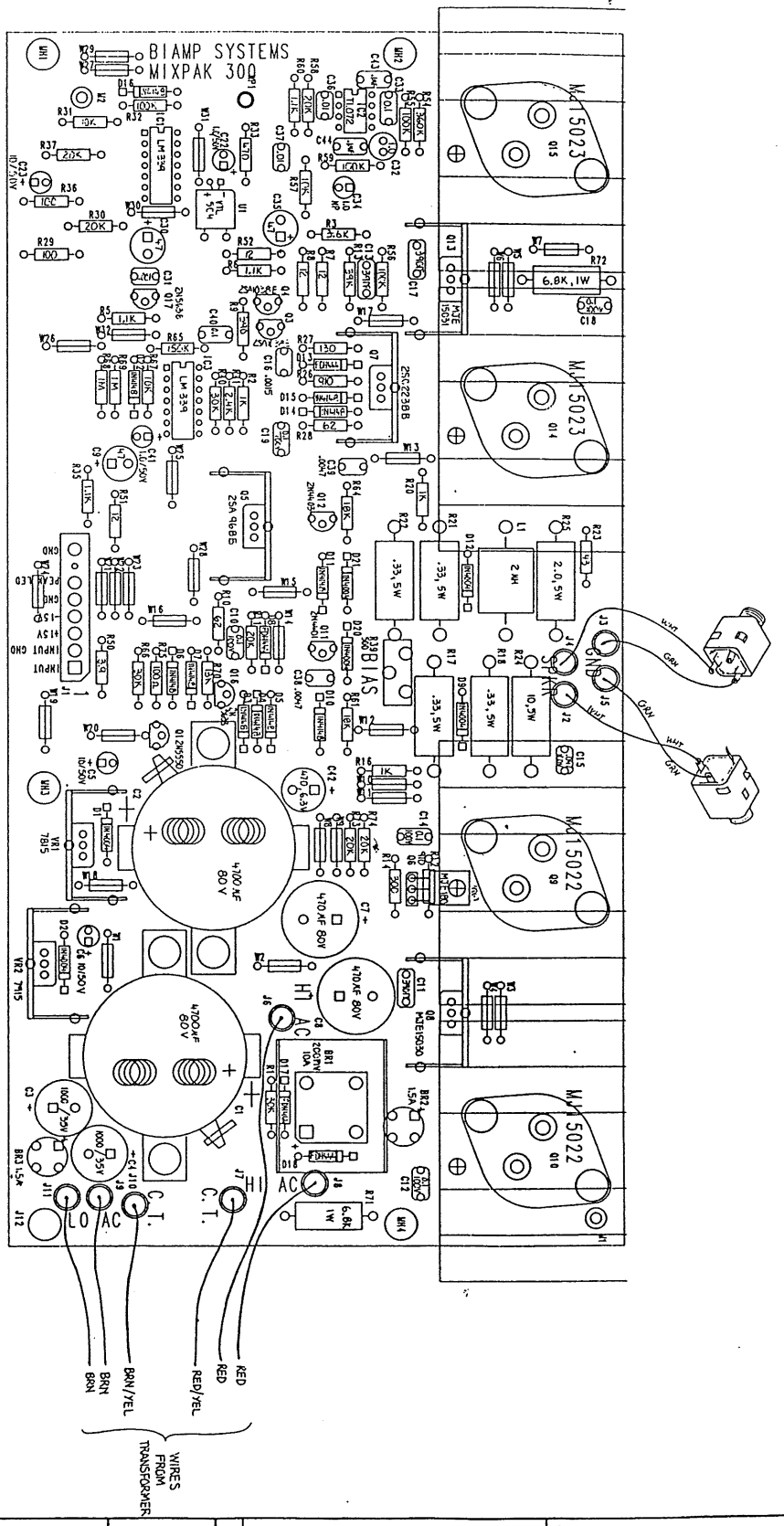
blampack
SCHEMATIC
POWERPAK PLUS +

DATE: 07/00 0950 00

REV: 1

THIS DRAWING IS THE PROPERTY OF BILAMP SYSTEMS, INC. IT IS TO BE USED ONLY FOR THE PROJECT AND QUANTITY SPECIFIED ON THE DRAWING. IT IS NOT TO BE REPRODUCED OR TRANSMITTED IN ANY FORM OR BY ANY MEANS, ELECTRONIC OR MECHANICAL, INCLUDING PHOTOCOPYING, RECORDING, OR BY ANY INFORMATION STORAGE AND RETRIEVAL SYSTEM. WITHOUT THE WRITTEN PERMISSION OF BILAMP SYSTEMS, INC.

REV.	DATE	DESCRIPTION	BY
A	10-24-80	STARTED DR - 08	CH/SDI MD



BIAMP SYSTEMS
 14270 N.W. SCIENCE PARK DRIVE
 PORTLAND, OREGON U.S.A.
 (503) 641-7287

BIAMP SYSTEMS
 MIXPAK 300 REAR POWER PCB
 380-0300-00

NOTES:
 . COMPONENTS SHOWN (W.A.) ARE RES. & I.A.

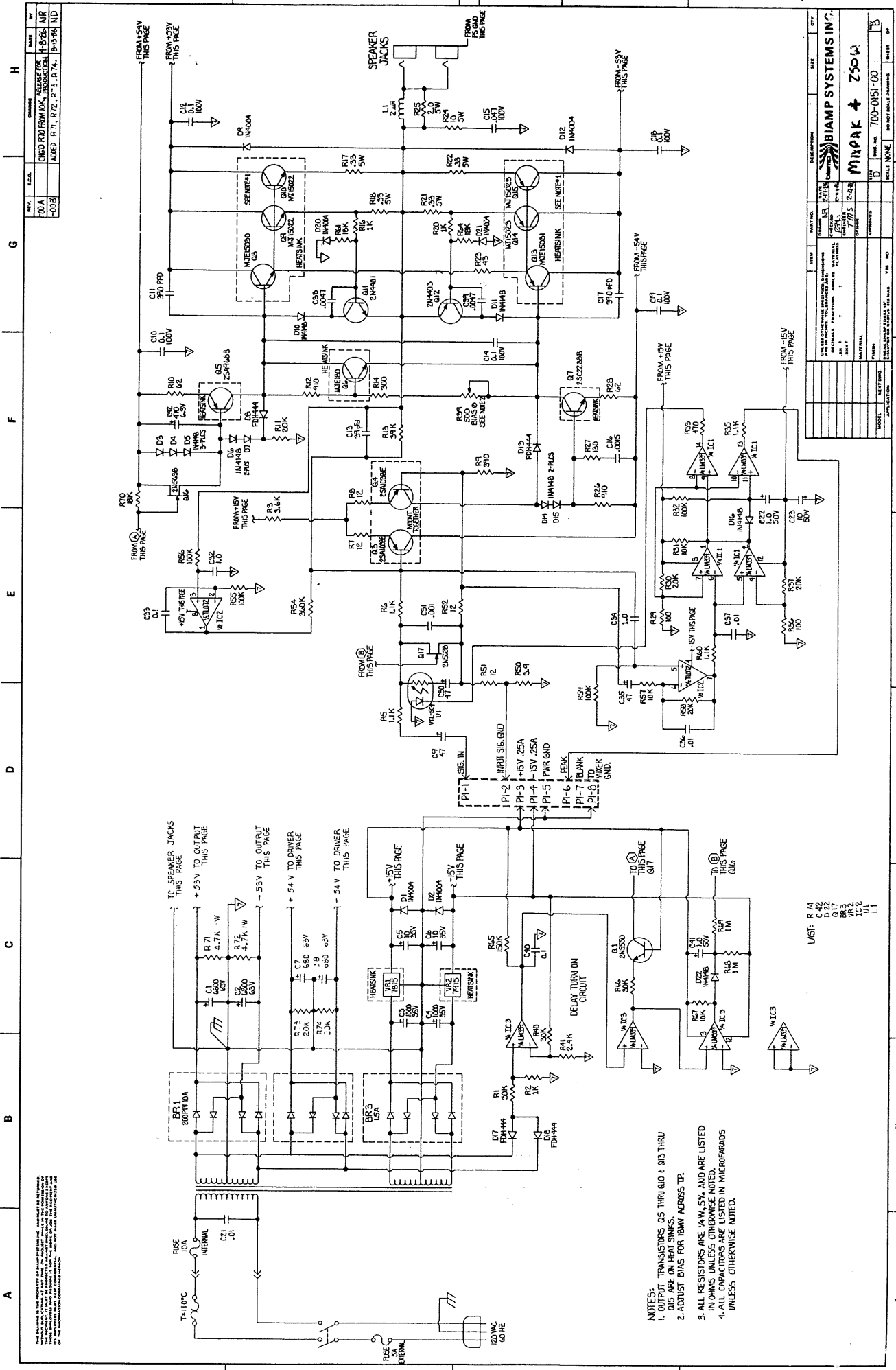
REV.	DATE	DESCRIPTION	BY
A	10-24-80	STARTED DR - 08	CH/SDI MD

Bilamp Systems, Inc.	
14270 N.W. Science Park Drive	
Portland, Oregon 97228	
Tel: (503) 641-7287	
Fax: (503) 641-7288	
E-mail: sales@bilamp.com	
Web: www.bilamp.com	

3800300 JOB - Fri Dec 29 06:37:24 1989

A B C D E F G H





REV.	DATE	BY	CHKD	DESCRIPTION
001	1-3-74	CHD FROM LOCK, REVISION 1
				ADDED R71, R72, P-3, R74, B-3, 24, ND

ITEM	QTY	DESCRIPTION
...

ITEM	QTY	DESCRIPTION
...

ITEM	QTY	DESCRIPTION
...

ITEM	QTY	DESCRIPTION
...

ITEM	QTY	DESCRIPTION
...

ITEM	QTY	DESCRIPTION
...

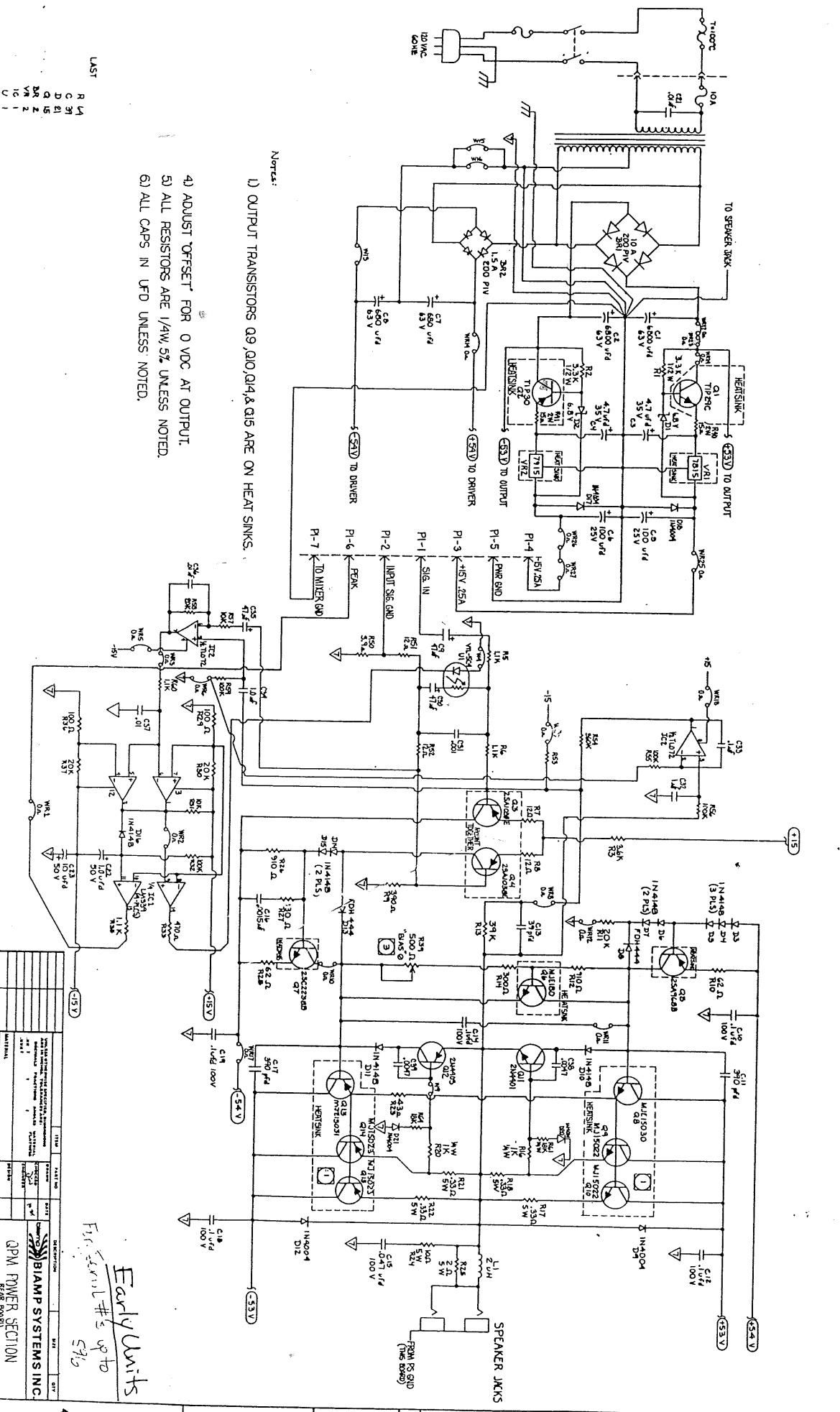
- NOTES:
 1. ALL TRANSISTORS AS THRU Q10 & Q13 THRU Q17 ARE ON HEAT SINKS.
 2. ADJUST BIAS FOR 100V ACROSS TP.
 3. ALL RESISTORS ARE 1/4W, 5%, AND ARE LISTED IN OHMS UNLESS OTHERWISE NOTED.
 4. ALL CAPACITORS ARE LISTED IN MICROFARADS UNLESS OTHERWISE NOTED.

LAST: R 74
 C 42
 Q 17
 BR 3
 VR 2
 U 1
 U 1

BIAMP SYSTEMS INC.
 MIKPAK + 250W
 700-051-00

THIS DRAWING IS THE PROPERTY OF BILHAM SYSTEMS INC. IT IS TO BE USED ONLY FOR THE PROJECT AND QUANTITY SPECIFIED THEREON. IT IS NOT TO BE REPRODUCED, COPIED, OR TRANSMITTED IN ANY FORM OR BY ANY MEANS, ELECTRONIC OR MECHANICAL, INCLUDING PHOTOCOPYING, RECORDING, OR BY ANY INFORMATION STORAGE AND RETRIEVAL SYSTEM. WITHOUT THE WRITTEN PERMISSION OF BILHAM SYSTEMS INC.

A B C D E F G H



NOTES:

- 1) OUTPUT TRANSISTORS Q1, Q2, Q4 & Q5 ARE ON HEAT SINKS.
- 4) ADJUST "OFFSET" FOR 0 VDC AT OUTPUT.
- 5) ALL RESISTORS ARE 1/4W 5% UNLESS NOTED.
- 6) ALL CAPS IN UFD UNLESS NOTED.

LAST

- R M1
- C 31
- D 41
- Q 15
- DR 2
- VM 1
- IC 1
- V 1

REV	DATE	DESCRIPTION	BY	CHK
1		REVISED PER PROOF UPDATE		
2				
3				
4				

BILHAM SYSTEMS INC.
 3PM POWER SECTION
 REAR BOARD
 700-0331-00

Early Units
 up to
 #5
 576