

PD/60

SCHMETACS

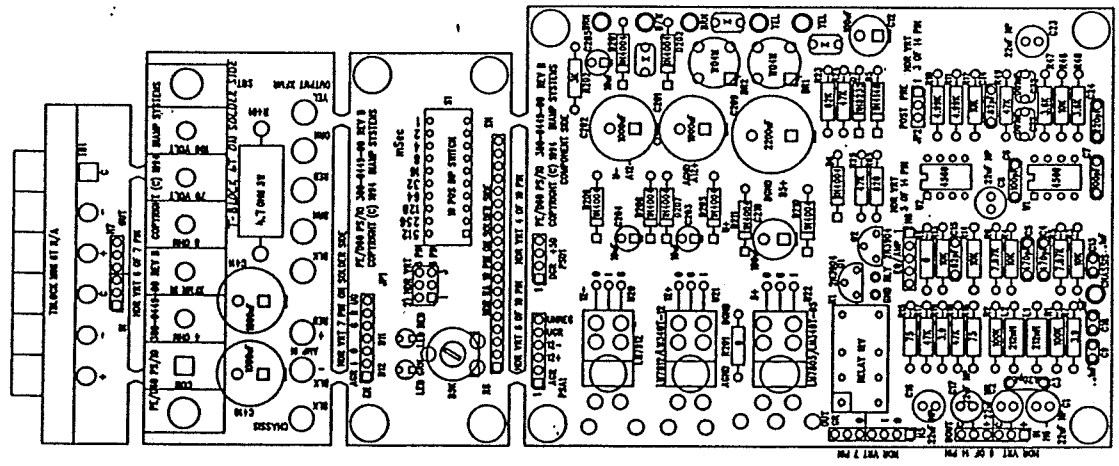
B I A M P[®]

S Y S T E M S

10074 SW Arctic Drive Beaverton, OR 97005 503-641-7287



REV.	DATE	BY	DESCRIPTION
A	10-28-88	AG	REV. AC FOR PRODUCTION
B	10-28-88	AG	ADDED DIRECT OUT FACILITY
C	11-17-88	AG	ADDED RISE SYSTEM
D	11-17-88	AG	ADDED WAVE AND TMS 101 SW
E	11-17-88	AG	ADDED WAVE AND TMS 511



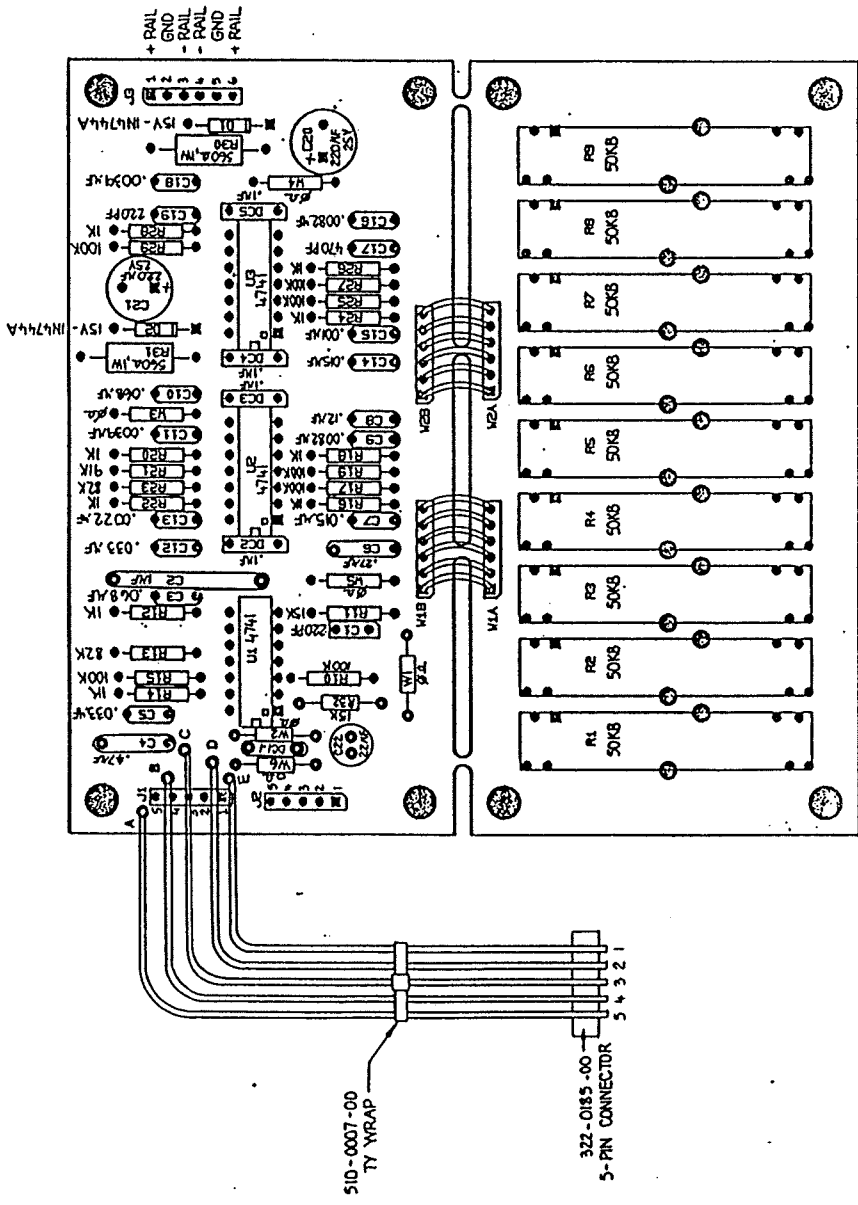
Sheet 1 of 5: Structure

BIAMP SYSTEMS
 14130 N.W. Science Park Drive
 Portland, Oregon 97229
 (503) 641-7287

JUN 17 1988

BIAMP SYSTEMS, INC. 14130 N.W. Science Park Drive Portland, Oregon 97229	PROJECT NO. 701-0449-00
DATE: JUN 17 1988	BY: [Signature]
CHECKED BY: [Signature]	APPROVED BY: [Signature]
TITLE: ADVANTAGE PE/D60 COMPONENT LAYOUT	

C	3/7-88	ADDED UZZ, W1, W2.	10-25-00
D	3/28-88	ADDED W6, REV. B FILM	11-2-88
E	3/29-88	CHG'D WIRES FROM 4" TO 4.5"	11-3-88



380-0257-00 REV. B

WIRE	DESCRIPTION	PART NUMBER
A	22GA ORANGE 4.5"	425-0108-00
B		
C		
D		
E	22GA BLACK 4.5"	425-0109-00

ND 0-268

biamp BIAMP SYSTEMS

COMPONENT LAYOUT

9-BAND EQ

380-0257-00

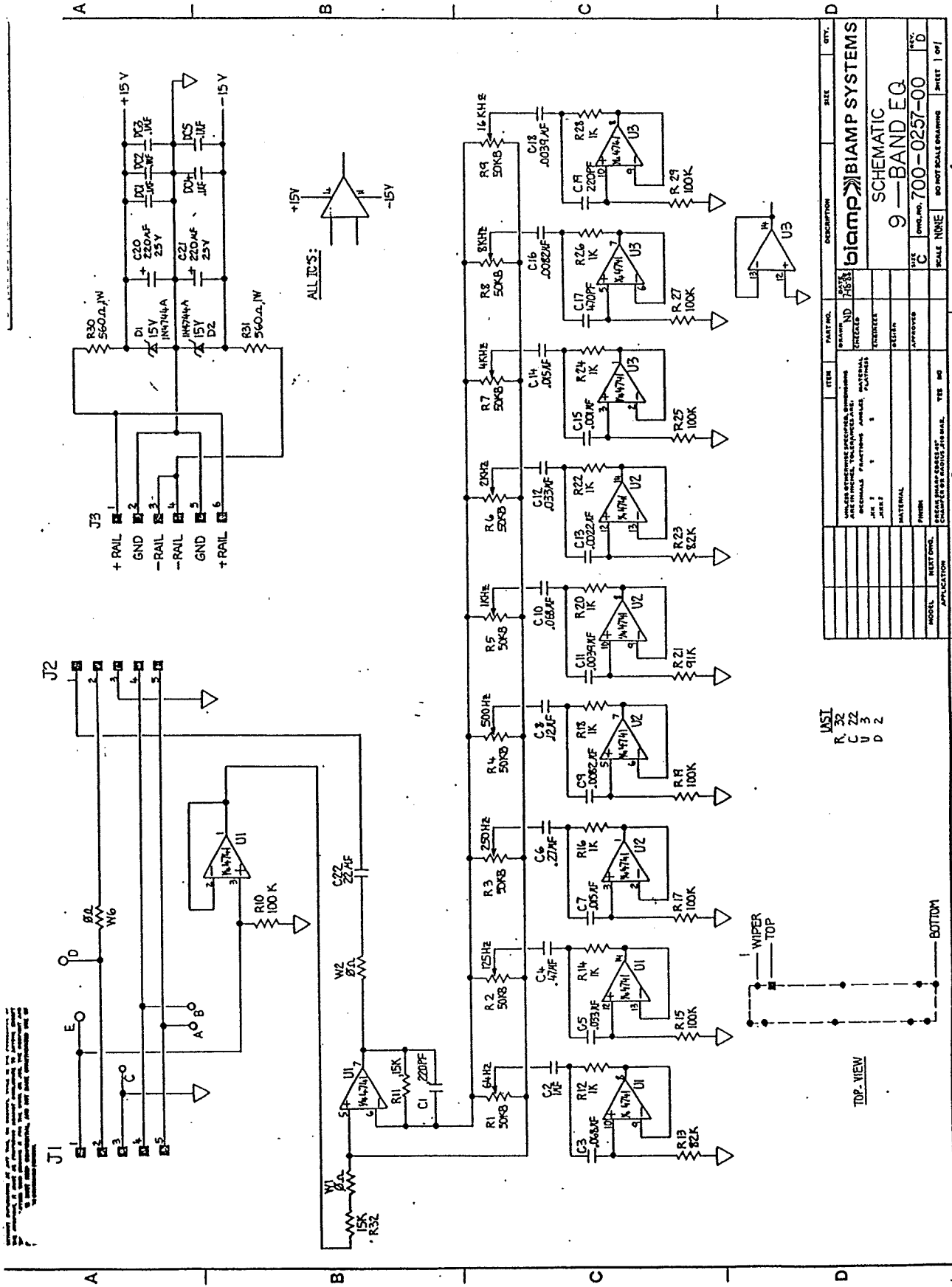
REV. B

DATE: 11-2-88

BY: J. J. BENTLEY

A B C D

1 2 3 4



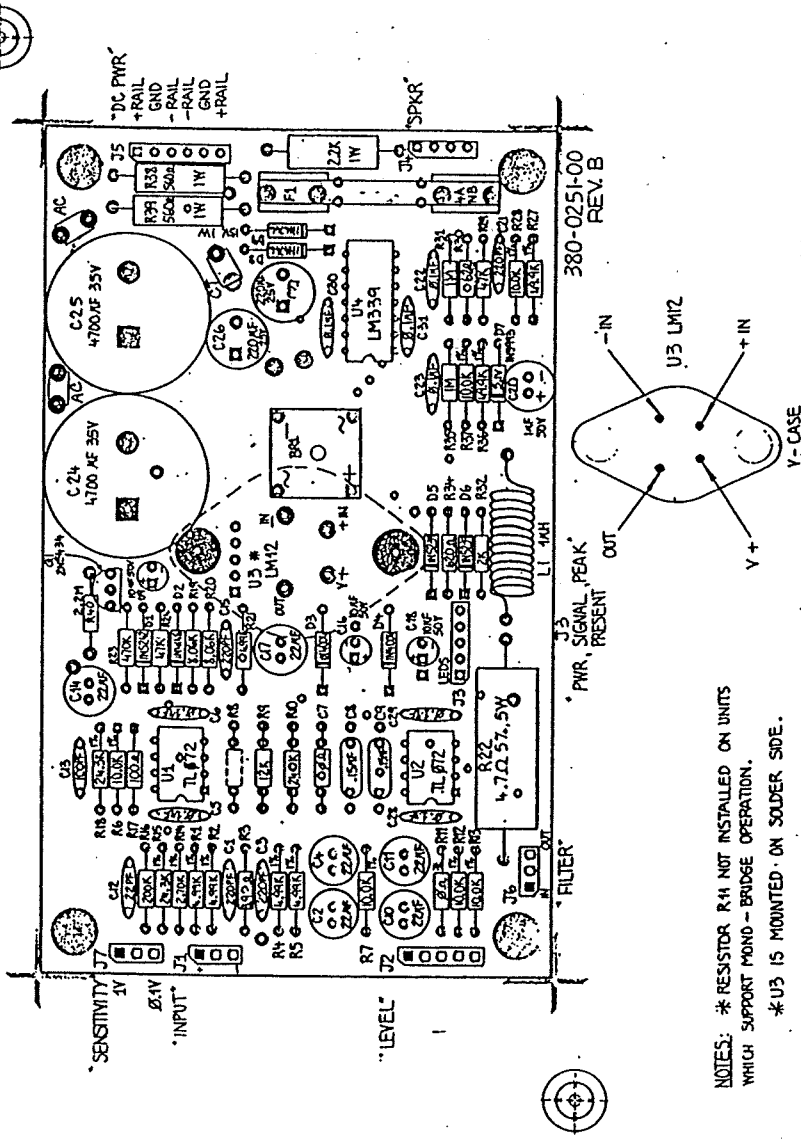
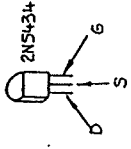
ITEM	DESCRIPTION	PART NO.	QTY.
1	IC1	14741	1
2	IC2	14741	1
3	IC3	14741	1
4	IC4	14741	1
5	IC5	14741	1
6	IC6	14741	1
7	IC7	14741	1
8	IC8	14741	1
9	IC9	14741	1
10	IC10	14741	1
11	IC11	14741	1
12	IC12	14741	1
13	IC13	14741	1
14	IC14	14741	1
15	IC15	14741	1
16	IC16	14741	1
17	IC17	14741	1
18	IC18	14741	1
19	IC19	14741	1
20	IC20	14741	1
21	IC21	14741	1
22	IC22	14741	1
23	IC23	14741	1
24	IC24	14741	1
25	IC25	14741	1
26	IC26	14741	1
27	IC27	14741	1
28	IC28	14741	1
29	IC29	14741	1
30	IC30	14741	1
31	IC31	14741	1
32	IC32	14741	1
33	IC33	14741	1
34	IC34	14741	1
35	IC35	14741	1
36	IC36	14741	1
37	IC37	14741	1
38	IC38	14741	1
39	IC39	14741	1
40	IC40	14741	1
41	IC41	14741	1
42	IC42	14741	1
43	IC43	14741	1
44	IC44	14741	1
45	IC45	14741	1
46	IC46	14741	1
47	IC47	14741	1
48	IC48	14741	1
49	IC49	14741	1
50	IC50	14741	1
51	IC51	14741	1
52	IC52	14741	1
53	IC53	14741	1
54	IC54	14741	1
55	IC55	14741	1
56	IC56	14741	1
57	IC57	14741	1
58	IC58	14741	1
59	IC59	14741	1
60	IC60	14741	1
61	IC61	14741	1
62	IC62	14741	1
63	IC63	14741	1
64	IC64	14741	1
65	IC65	14741	1
66	IC66	14741	1
67	IC67	14741	1
68	IC68	14741	1
69	IC69	14741	1
70	IC70	14741	1
71	IC71	14741	1
72	IC72	14741	1
73	IC73	14741	1
74	IC74	14741	1
75	IC75	14741	1
76	IC76	14741	1
77	IC77	14741	1
78	IC78	14741	1
79	IC79	14741	1
80	IC80	14741	1
81	IC81	14741	1
82	IC82	14741	1
83	IC83	14741	1
84	IC84	14741	1
85	IC85	14741	1
86	IC86	14741	1
87	IC87	14741	1
88	IC88	14741	1
89	IC89	14741	1
90	IC90	14741	1
91	IC91	14741	1
92	IC92	14741	1
93	IC93	14741	1
94	IC94	14741	1
95	IC95	14741	1
96	IC96	14741	1
97	IC97	14741	1
98	IC98	14741	1
99	IC99	14741	1
100	IC100	14741	1

MSI
R 32
C 22
U 3
D 2

MODEL	REV. DWN.	APPLICATION	DATE	BY	CHKD.	APP'D.	TEST. NO.	TEST. DATE	SCALE	NAME	NO. OF SCALE ENGINERS	SHEET	OF
												3	4

BIAMP SYSTEMS
SCHEMATIC
9 - BAND EQ
Dwg. No. 700-0257-00

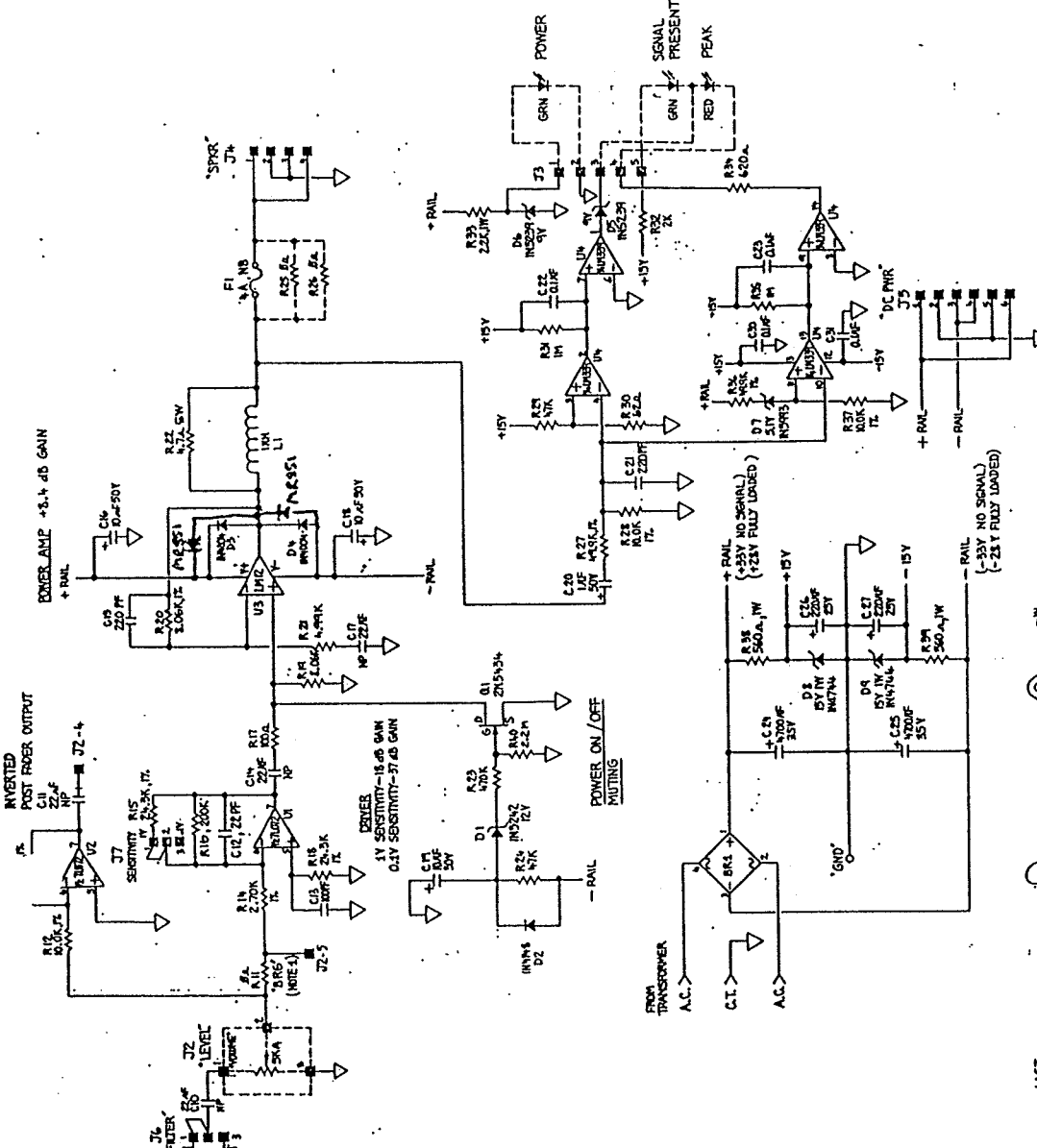
U	207-011	REVISED	NONMARS	FRONT VIEW	27-7-51	ND
C	073-39	380-0251-00	REV B	FUM	3-17-51	ND
D	014-90	CHD	SPKR	EDGE TO 4A	1-17-50	ND



380-0251-00
REV B

NOTES: * RESISTOR R11 NOT INSTALLED ON UNITS WHICH SUPPORT MONO-BRIDGE OPERATION.
* U3 IS MOUNTED ON SOLDER SIDE.

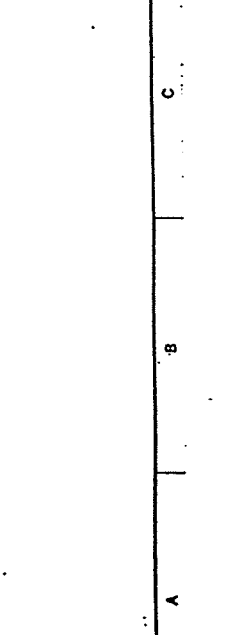
ND 91938
SIAMP SYSTEMS
COMPONENT LAYOUT
D-60 POWER AMP
701-0251-00



INVERTED POST PREDER OUTPUT
 POWER AMP +3.4 db GAIN
 SENSITIVITY -18 db GAIN
 0.1V SENSITIVITY -37 db GAIN
 DIFFERENTIAL INPUT STAGE
 UNITY GAIN
 FILTER
 LEVEL
 SIGNAL PRESENT
 PEAK
 DC PWR

NOTE 1: RESISTOR R11 NOT INSTALLED ON UNITS WHICH SUPPORT MONO-BRIDGE OPERATION.

LAST
 R 40
 C 51
 D 4
 D 7
 F 1
 F 1



NO.	REV.	DESCRIPTION	DATE
1	1	INITIAL DESIGN	
2	1	REVISED FOR...	
3	1	REVISED FOR...	
4	1	REVISED FOR...	

NO.	REV.	DESCRIPTION	DATE
1	1	INITIAL DESIGN	
2	1	REVISED FOR...	
3	1	REVISED FOR...	
4	1	REVISED FOR...	

NO.	REV.	DESCRIPTION	DATE
1	1	INITIAL DESIGN	
2	1	REVISED FOR...	
3	1	REVISED FOR...	
4	1	REVISED FOR...	

blamp		NO. 75	NO. 75
BLAMP SYSTEMS, INC.			
P.O. BOX 1400			
PORTLAND, OREGON 97208			
DATE:		REVISED:	BY:
DESIGNED BY:		CHECKED BY:	APPROVED BY:
PART NO.		REV.	DATE
700-0251-00		1.0	11/83
PAGE 1 OF 1			

NO.	REV.	DESCRIPTION	DATE
1	1	INITIAL DESIGN	
2	1	REVISED FOR...	
3	1	REVISED FOR...	
4	1	REVISED FOR...	

NO.	REV.	DESCRIPTION	DATE
1	1	INITIAL DESIGN	
2	1	REVISED FOR...	
3	1	REVISED FOR...	
4	1	REVISED FOR...	